



US00D615775S

(12) **United States Design Patent**
Fairbanks

(10) **Patent No.:** **US D615,775 S**

(45) **Date of Patent:** **** May 18, 2010**

(54) **PERIODICAL DISPLAY CASE**

D585,494 S * 1/2009 Yoshikawa D19/78

(75) Inventor: **Scott Fairbanks**, Northbrook, IL (US)

* cited by examiner

(73) Assignee: **Library Furniture International, Inc.**,
Northbrook, IL (US)

Primary Examiner—Elizabeth A Albert
Assistant Examiner—Kelley A Donnelly

(74) *Attorney, Agent, or Firm*—William P. Oberhardt

(**) Term: **14 Years**

(57) **CLAIM**

(21) Appl. No.: **29/348,109**

The ornamental design for a periodical display case, as shown and described.

(22) Filed: **Nov. 30, 2009**

(51) **LOC (9) Cl.** **06-04**

(52) **U.S. Cl.** **D6/476**

(58) **Field of Classification Search** D6/475–476,
D6/470–471, 449, 466, 512, 567, 553; 211/50,
211/13.1, 55, 11; D19/86, 90–91
See application file for complete search history.

DESCRIPTION

FIG. 1 is a top, front perspective view of the periodical display case showing my new design;

FIG. 2 is a top view of the periodical display case of FIG. 1.

FIG. 3 is a front view of the periodical display case of FIG. 1.

FIG. 4 is a right side view of the periodical display case of FIG. 1, the left side of the periodical display case being a mirror image of the right side.

FIG. 5 is a back view of the periodical display case of FIG. 1; and,

FIG. 6 is a bottom view of the periodical display case of FIG. 1.

The broken lines showing four periodicals are for environmental purposes only and form no part of the claimed design.

(56) **References Cited**

U.S. PATENT DOCUMENTS

D250,960 S *	1/1979	Bitner et al.	D19/90
D319,359 S *	8/1991	Turley	D6/407
D321,446 S *	11/1991	Liptak	D6/475
D339,608 S *	9/1993	Aaldenberg	D19/90
D353,158 S *	12/1994	Evenson	D19/90
D410,495 S *	6/1999	Wear	D19/90
D502,741 S *	3/2005	Bain	D19/90
D555,736 S *	11/2007	Decarlo et al.	D19/90
D580,991 S *	11/2008	Smith	D19/91

1 Claim, 3 Drawing Sheets

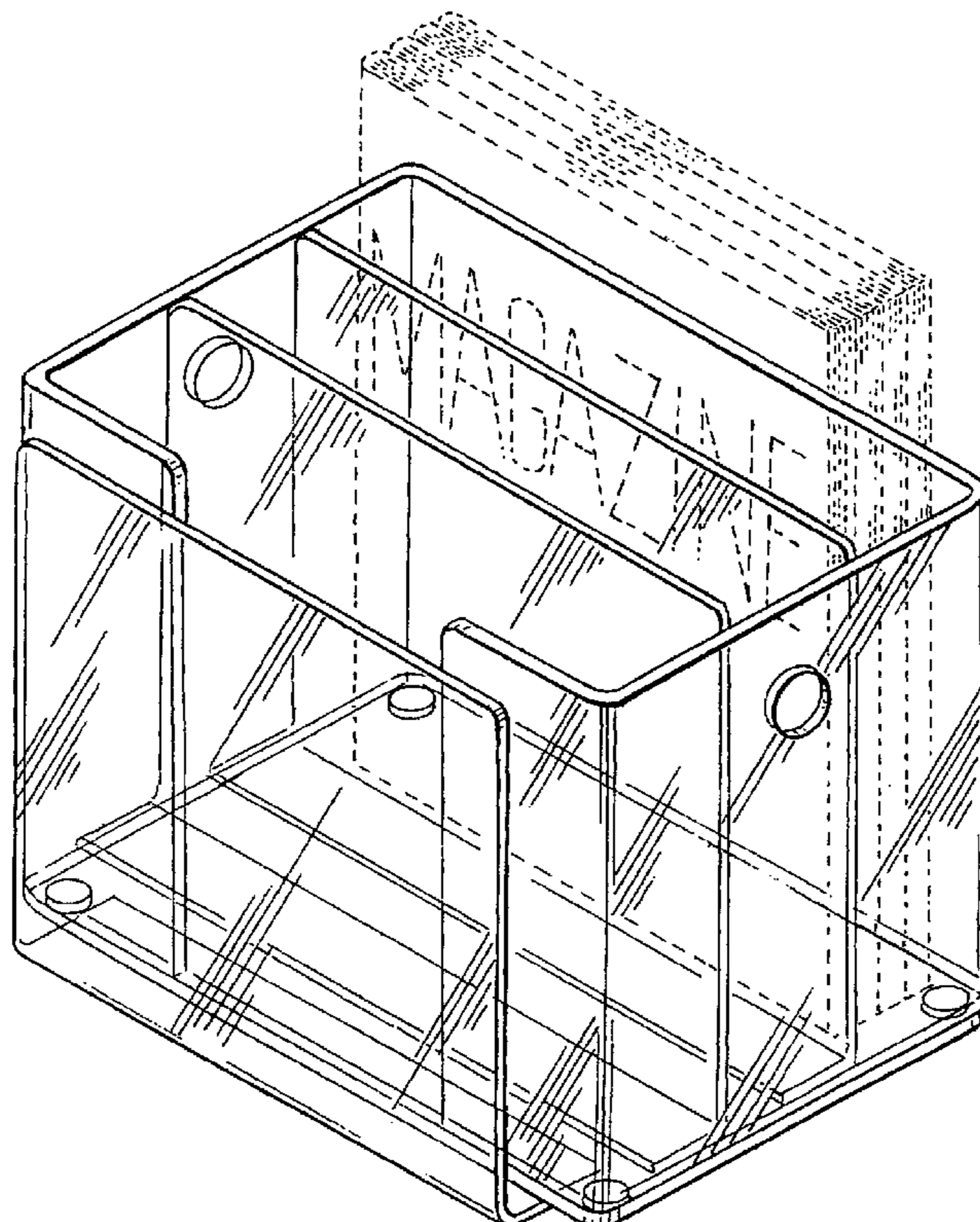


FIG. 1

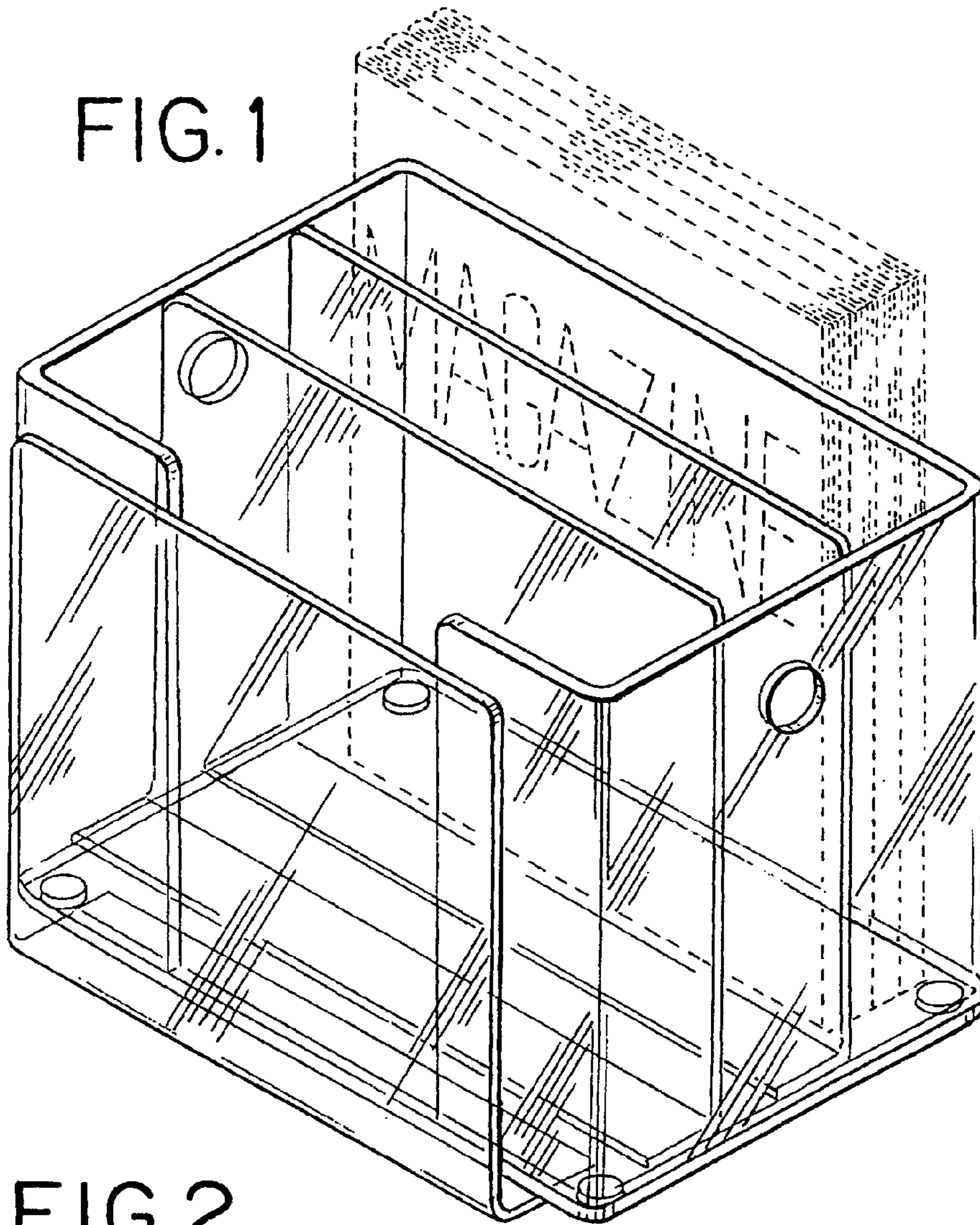


FIG. 2

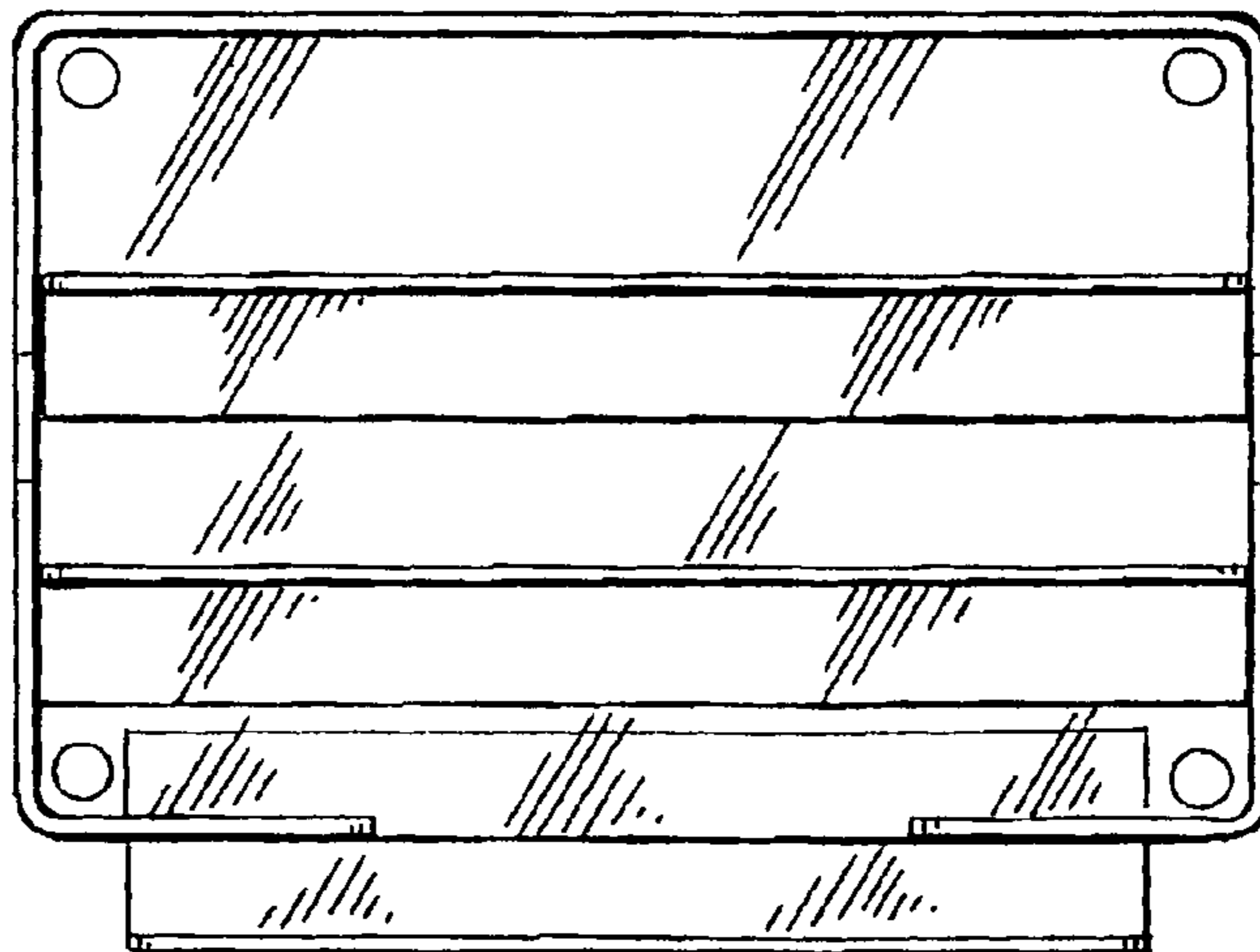


FIG. 3

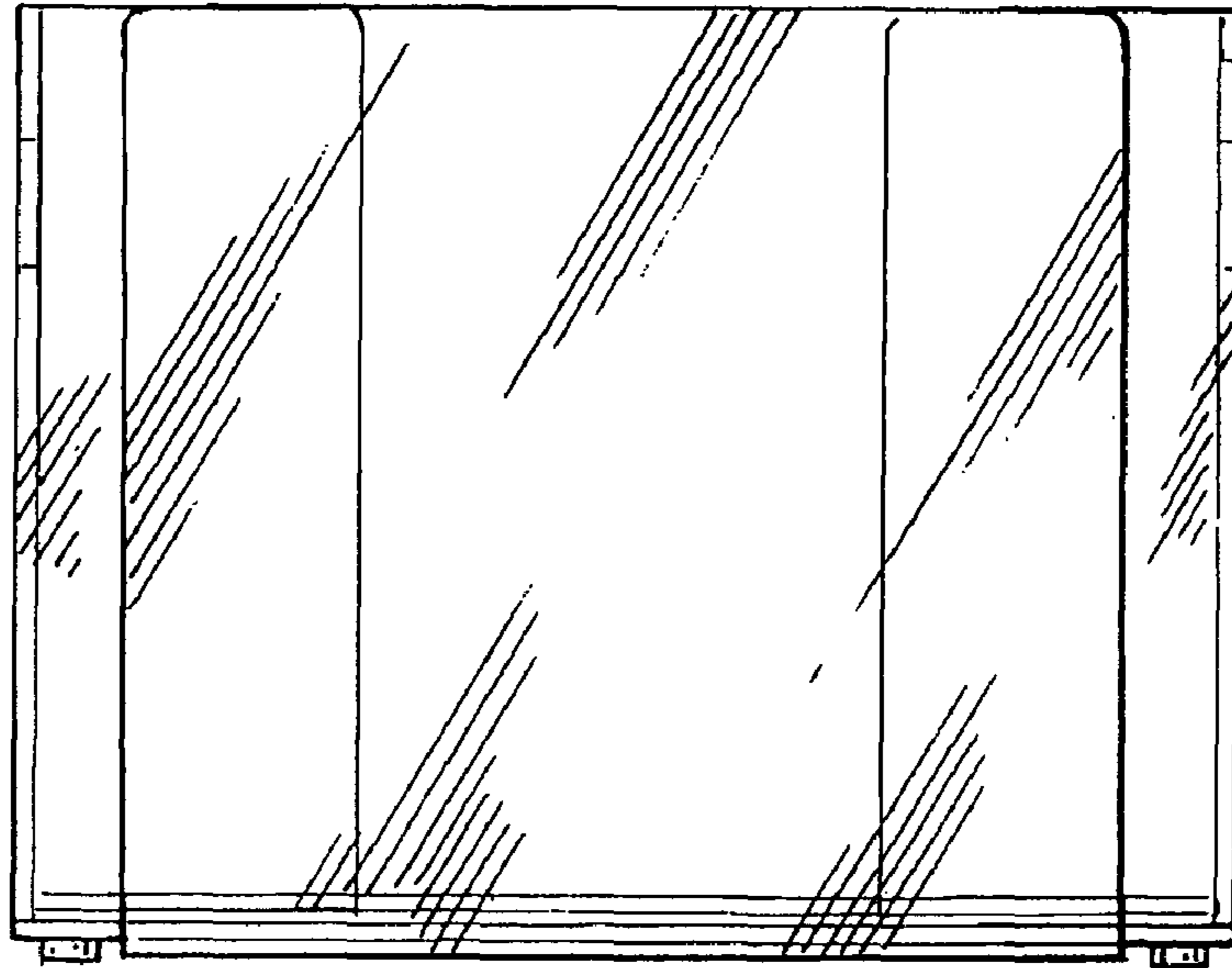


FIG. 4

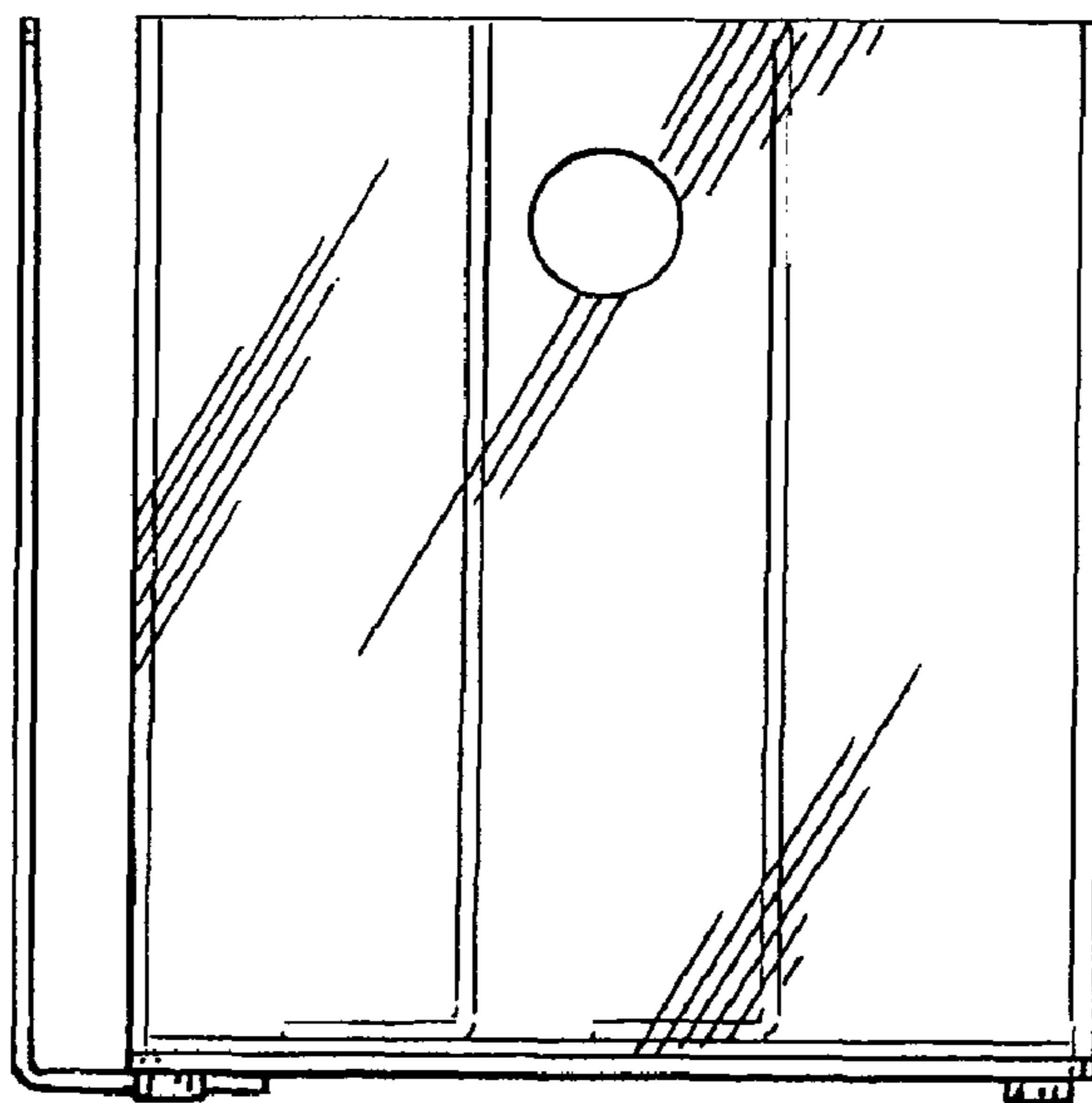


FIG. 5

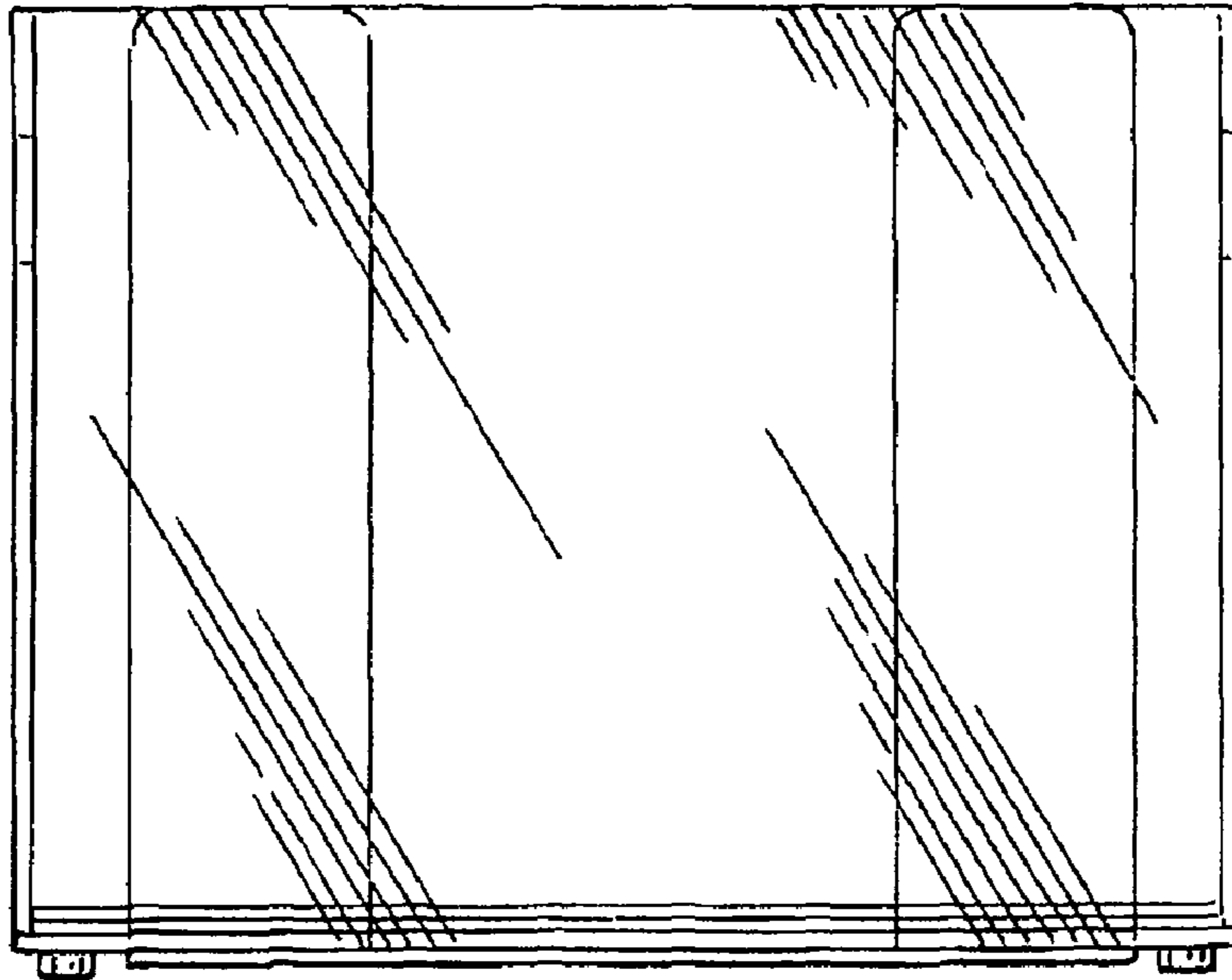


FIG. 6

