



US00D615772S

(12) **United States Design Patent**
Day

(10) **Patent No.:** **US D615,772 S**

(45) **Date of Patent:** **** May 18, 2010**

(54) **FRAME ASSEMBLY WITH SHELVES**

(75) Inventor: **Jeffrey Allen Day**, Seattle, WA (US)

(73) Assignee: **Slam Brands, Inc.**, Redmond, WA (US)

(**) Term: **14 Years**

(21) Appl. No.: **29/345,020**

(22) Filed: **Oct. 8, 2009**

(51) **LOC (9) Cl.** **06-04**

(52) **U.S. Cl.** **D6/460; D6/474**

(58) **Field of Classification Search** D6/449,
D6/474, 477-479, 461, 460, 468, 480, 495;
312/7.2, 9.1; 108/59, 91, 92, 96; 211/40,
211/41.12, 42, 49.1, 50, 85.2, 90.04, 187,
211/190, 119.003, 134.153, 87.01, 71.01

See application file for complete search history.

(56) **References Cited**

U.S. PATENT DOCUMENTS

D63,282 S *	11/1923	Cameron	D6/480
D142,211 S *	8/1945	Glukes	D6/477
D452,086 S *	12/2001	Vaaler	D6/436
D458,474 S *	6/2002	Hecht et al.	D6/480
D545,597 S *	7/2007	Aubriot et al.	D6/495
D583,167 S *	12/2008	Stengel et al.	D6/477
D588,842 S *	3/2009	Saotome	D6/480
D590,639 S *	4/2009	Domack et al.	D6/480

* cited by examiner

Primary Examiner—Philip S Hyder

Assistant Examiner—Sydney R Buffalow

(74) *Attorney, Agent, or Firm*—Turocy & Watson, LLP;
Thomas E. Watson

(57) **CLAIM**

The ornamental design for a frame assembly with shelves, as shown and described.

DESCRIPTION

FIG. 1 is a first perspective view of a design for the frame assembly with shelves;

FIG. 2 is the first perspective view without environmental elements blocking a view thereof;

FIG. 3 is a second perspective view of the design therefor;

FIG. 4 is the second perspective view without environmental elements blocking a view thereof;

FIG. 5 is a first end view of the design therefor, wherein the opposite end view is a mirror image of the first end view;

FIG. 6 is a front view of the design therefor;

FIG. 7 is a rear view of the design therefor;

FIG. 8 is the rear view without environmental elements blocking a view thereof;

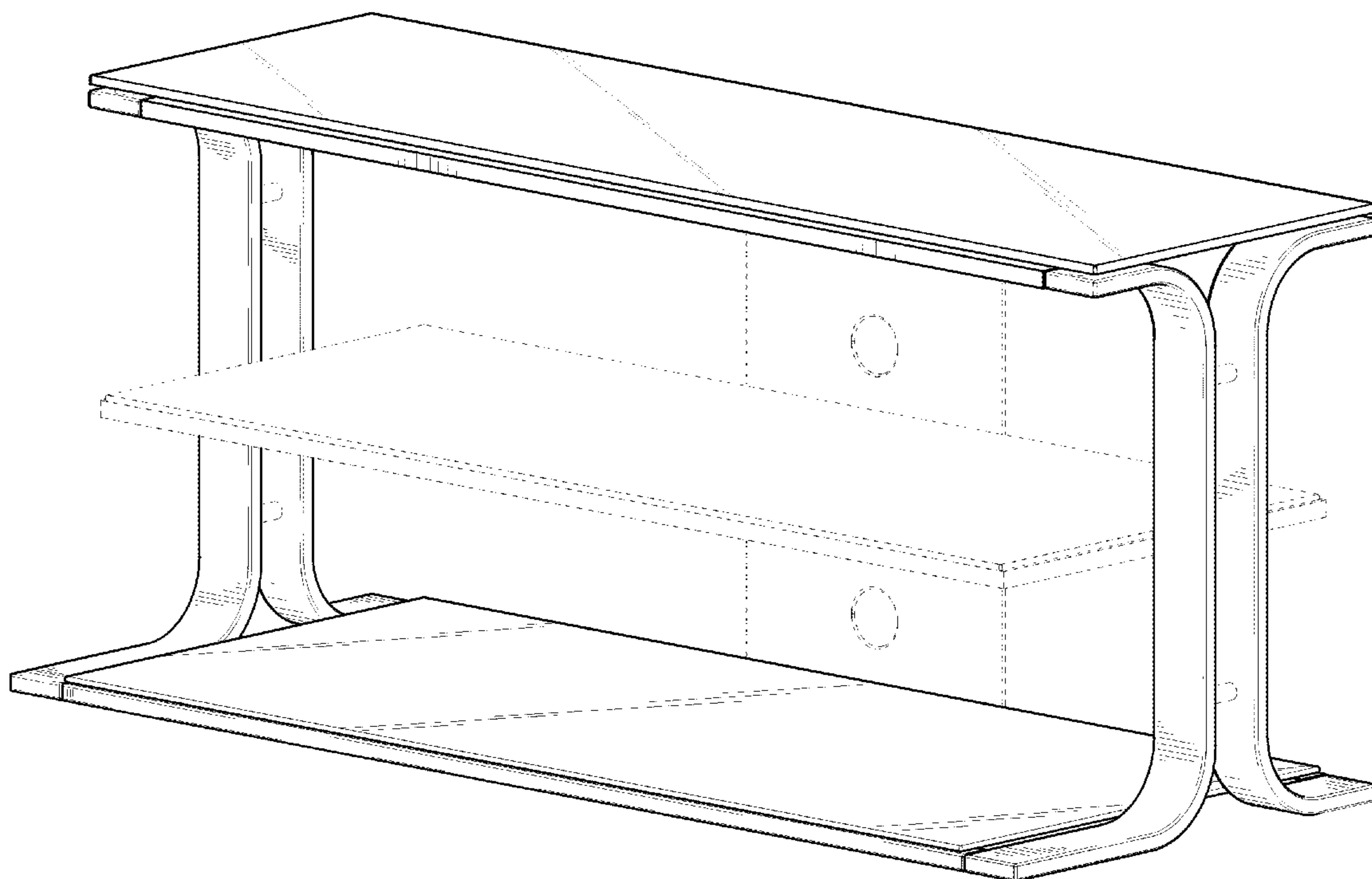
FIG. 9 is a top plan view of the design therefor;

FIG. 10 is the top plan view without environmental elements blocking a view thereof; and,

FIG. 11 is a bottom plan view of the design therefor.

The dashed lines in the drawings are shown for environmental purposes and form no part of the claimed design.

1 Claim, 11 Drawing Sheets



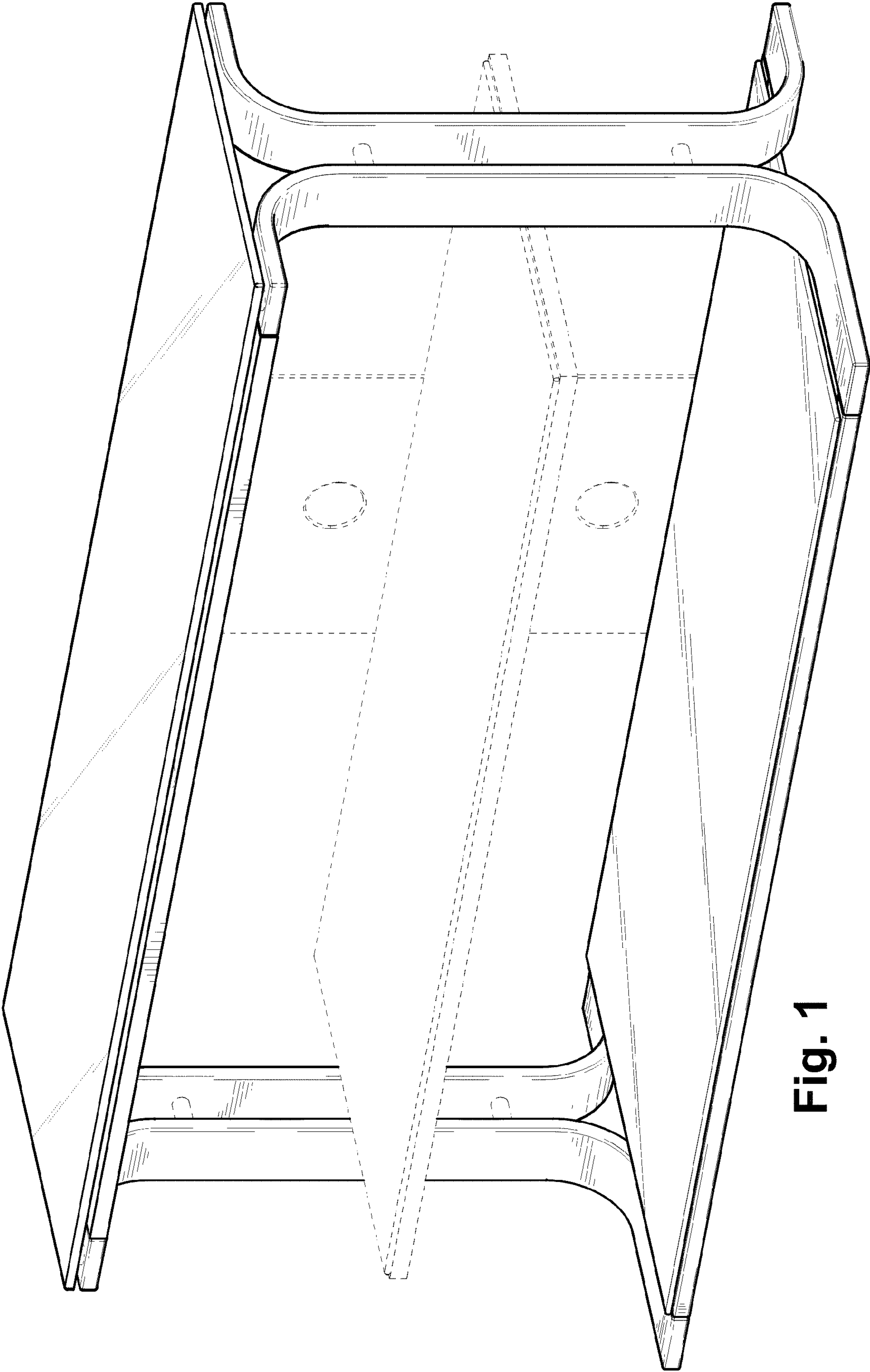


Fig. 1

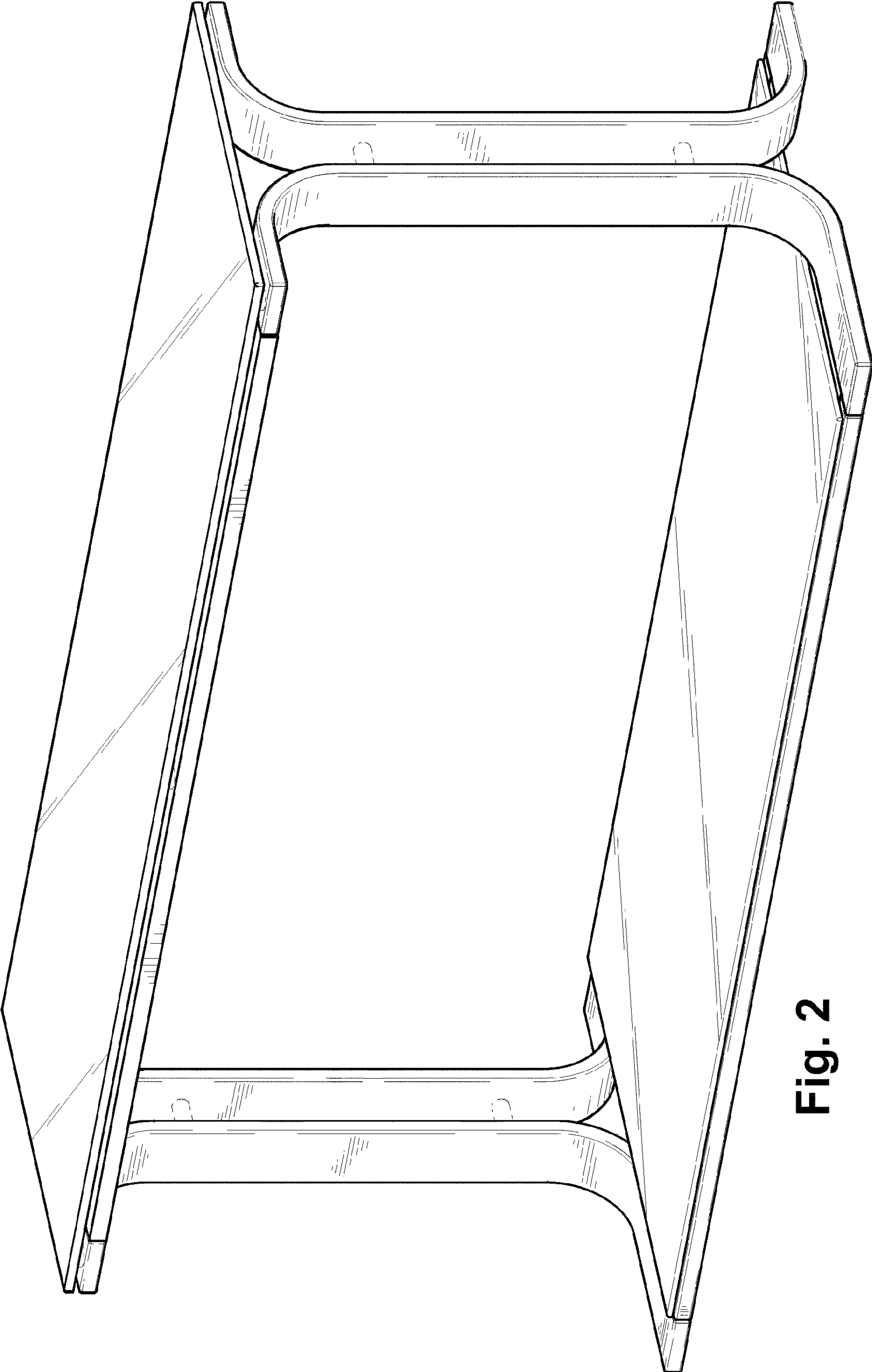


Fig. 2

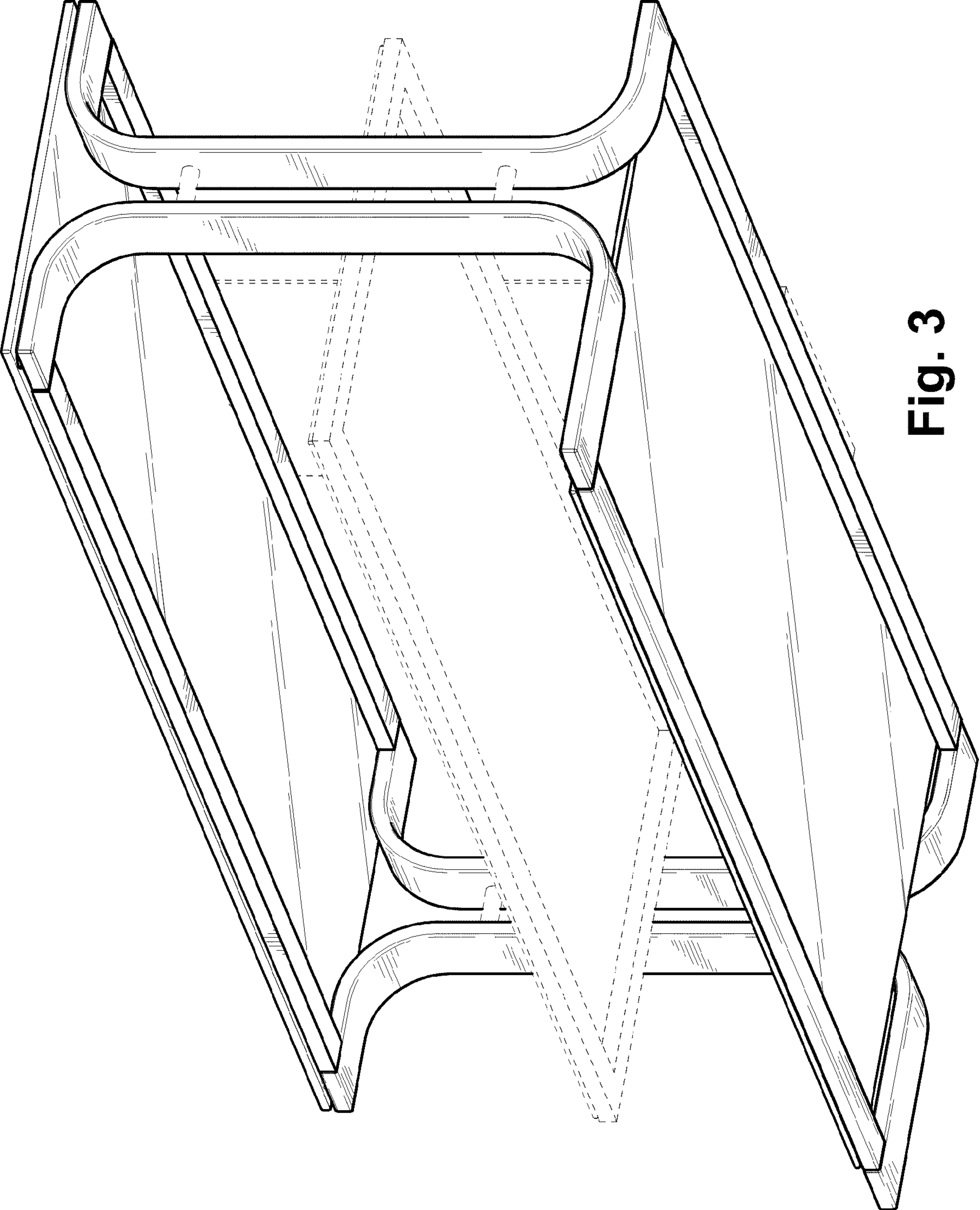


Fig. 3

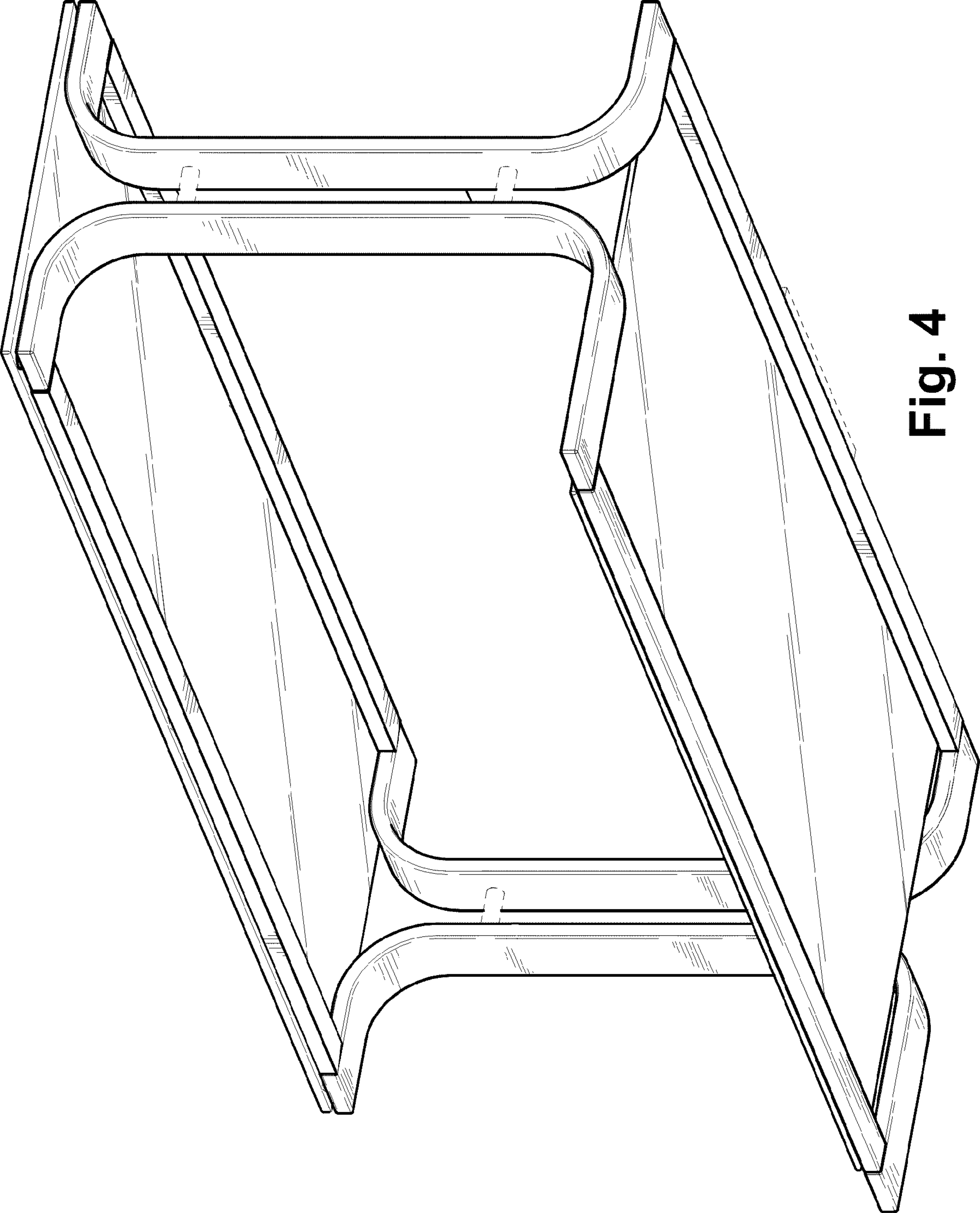


Fig. 4

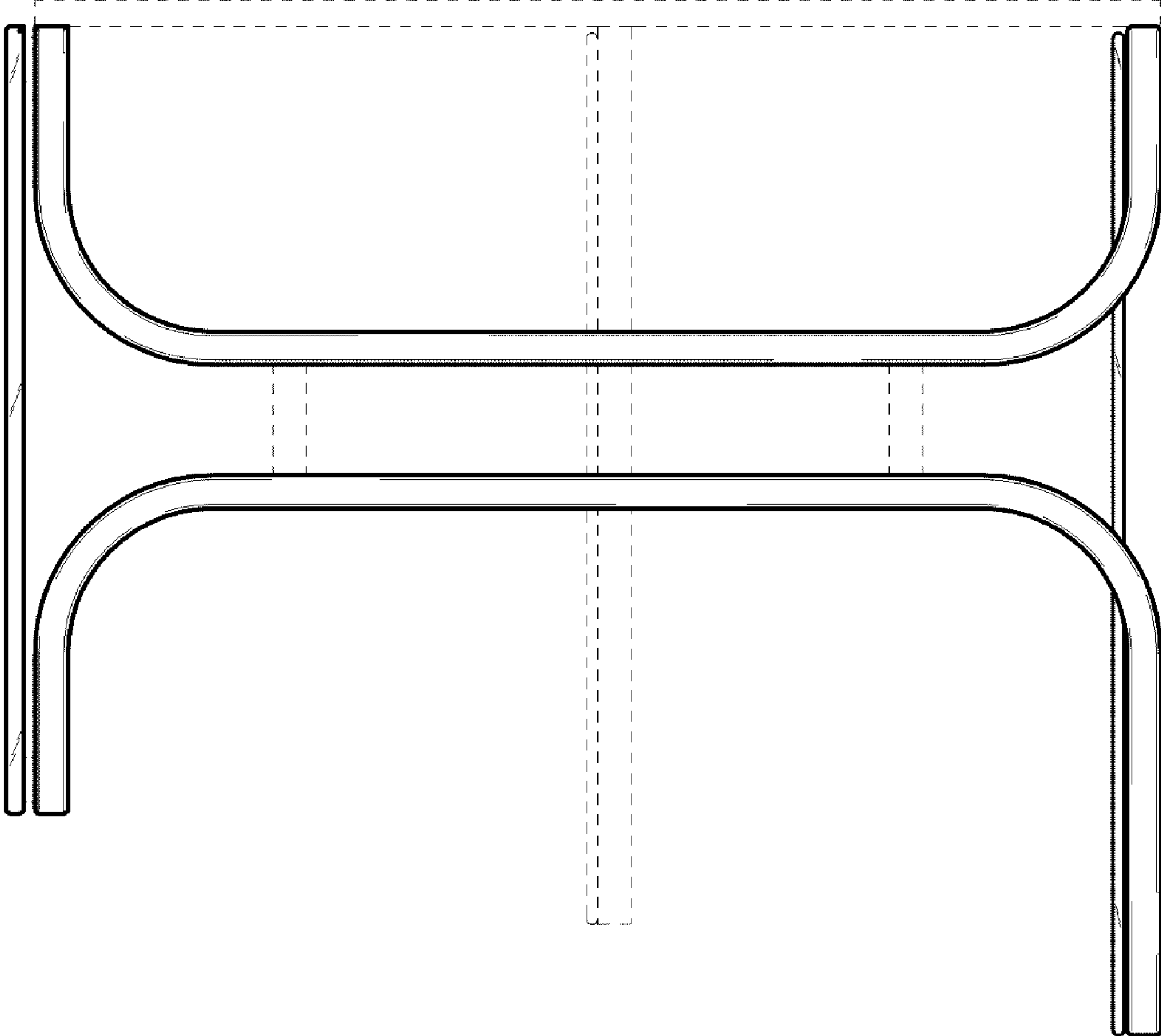


Fig. 5

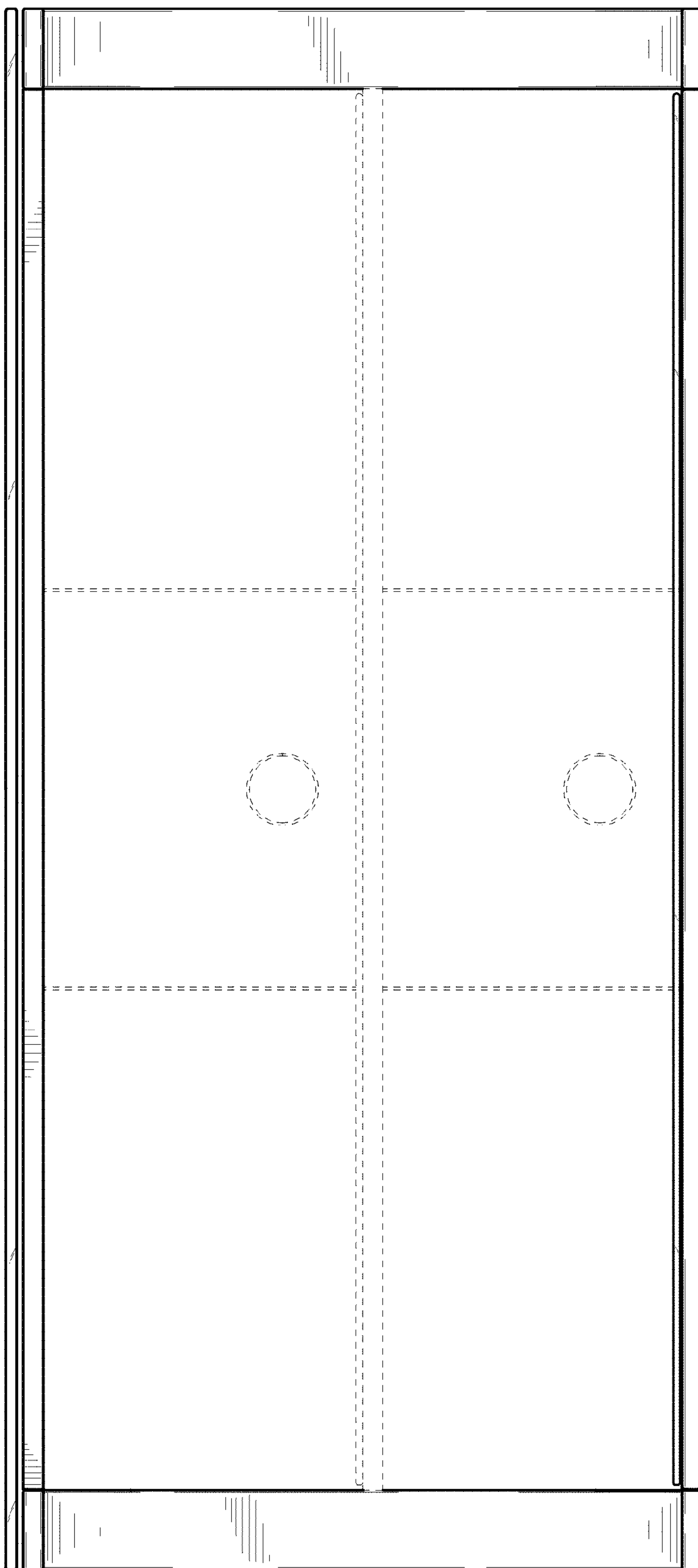


Fig. 6

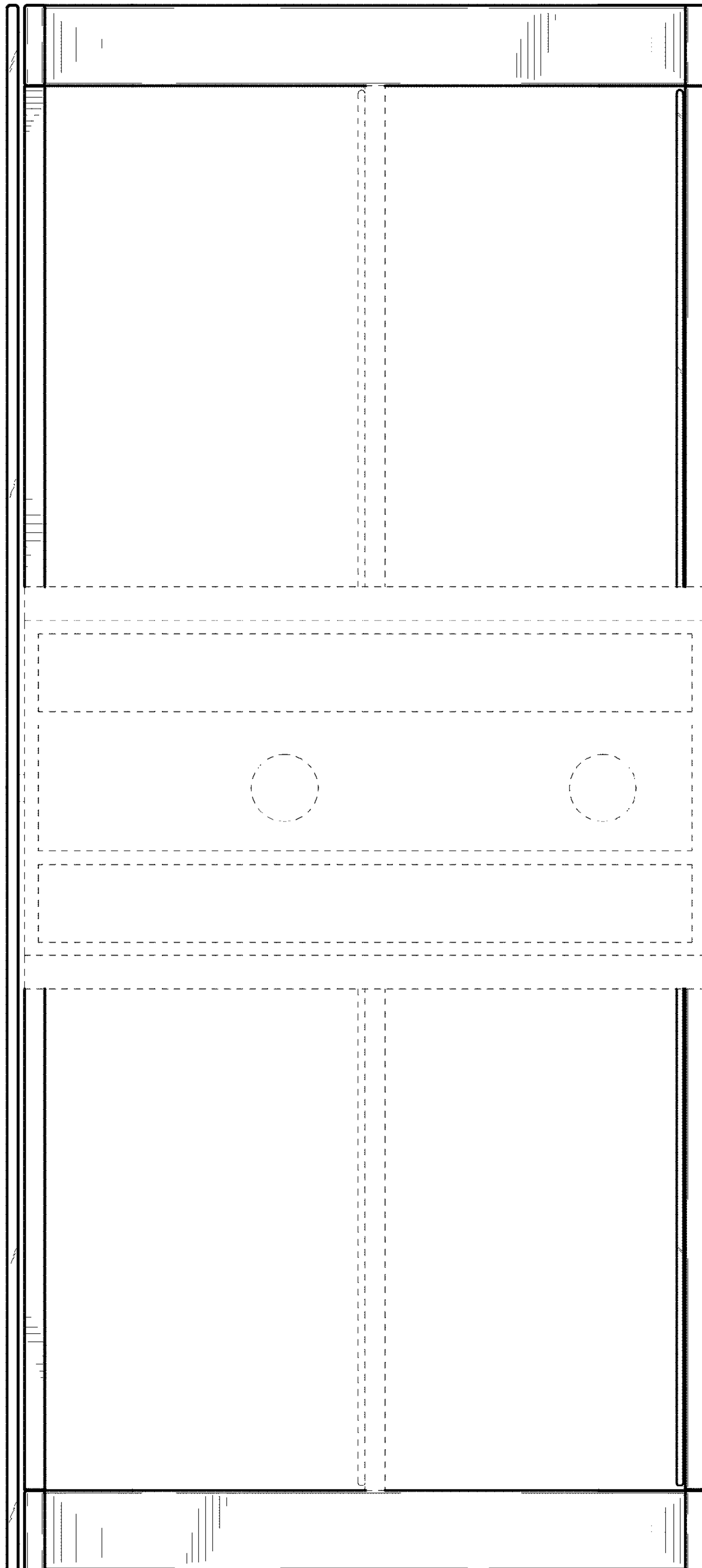


Fig. 7

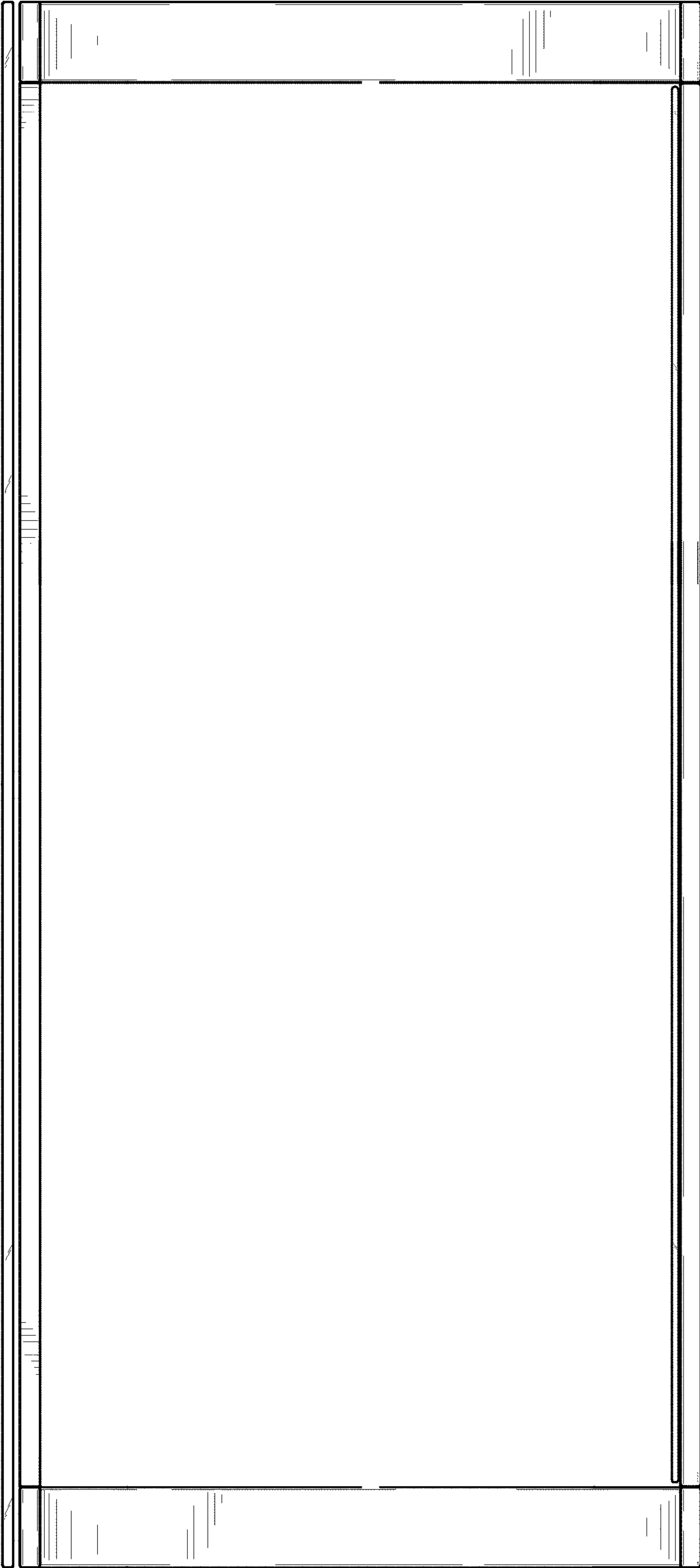


Fig. 8

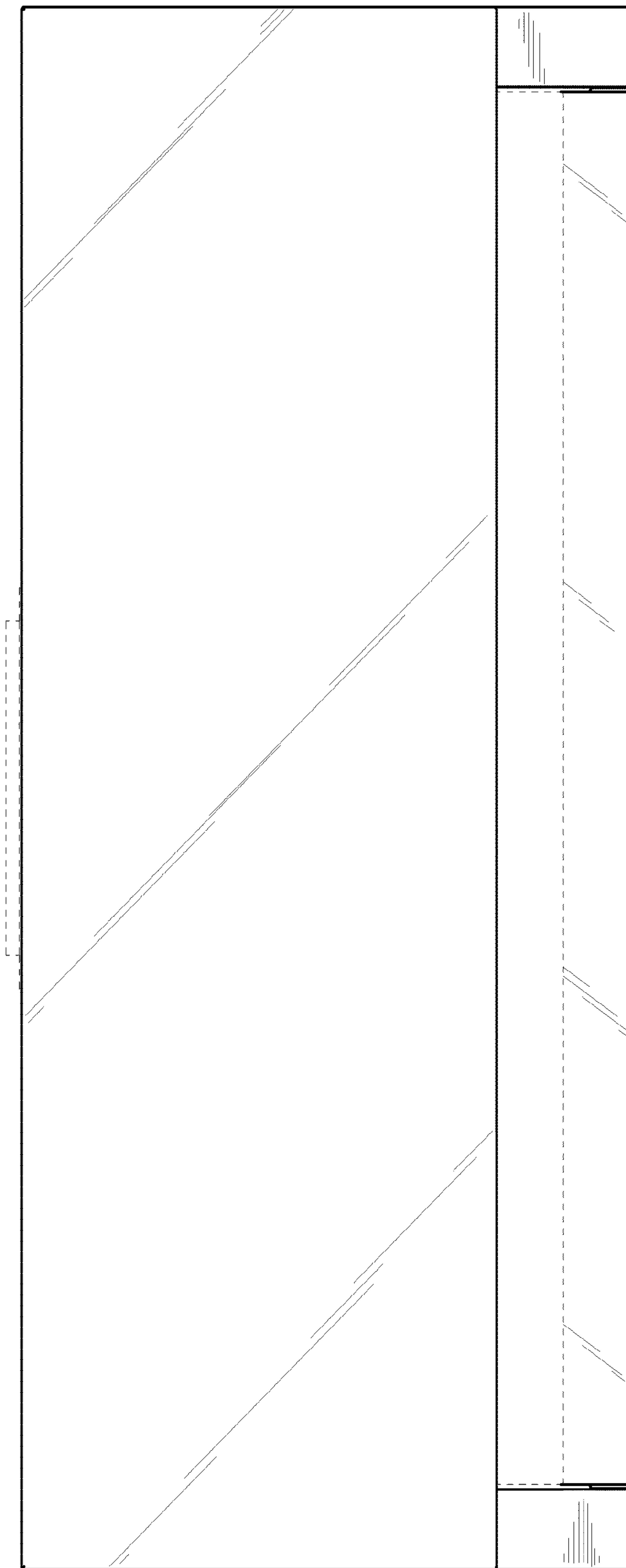


Fig. 9

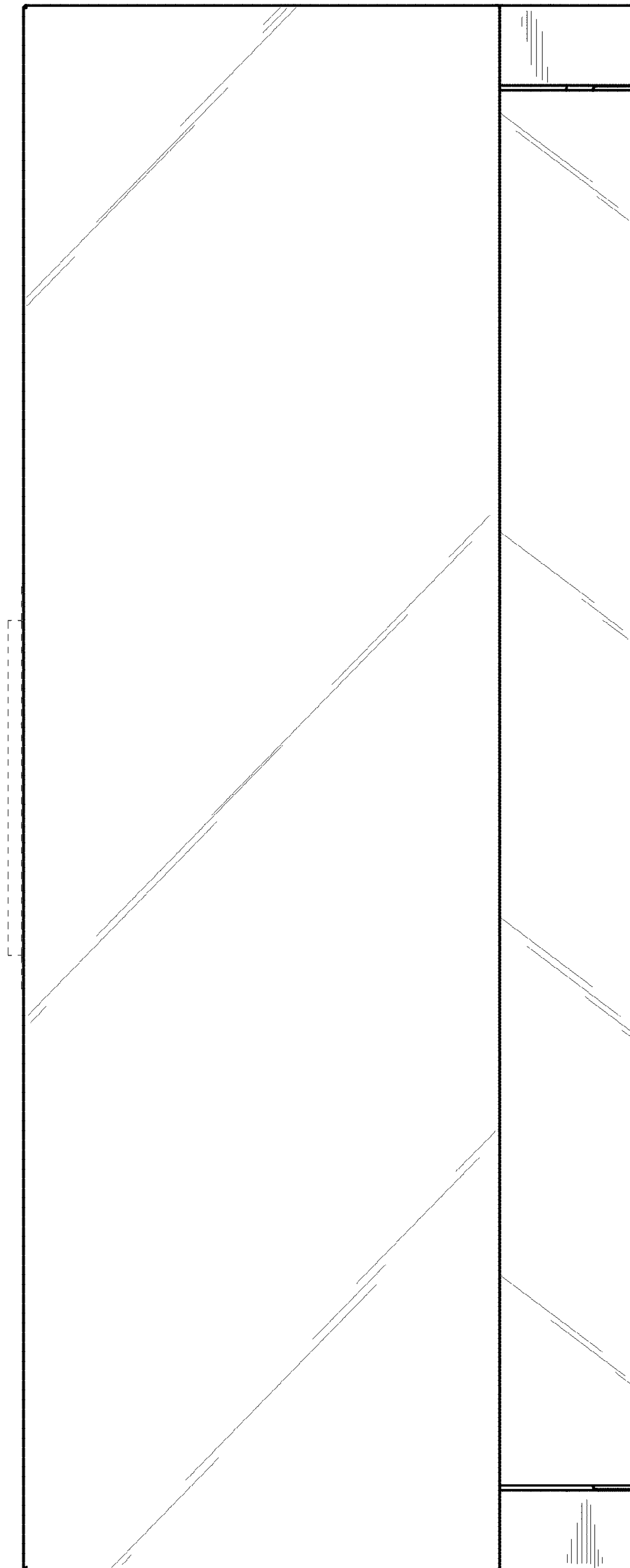


Fig. 10

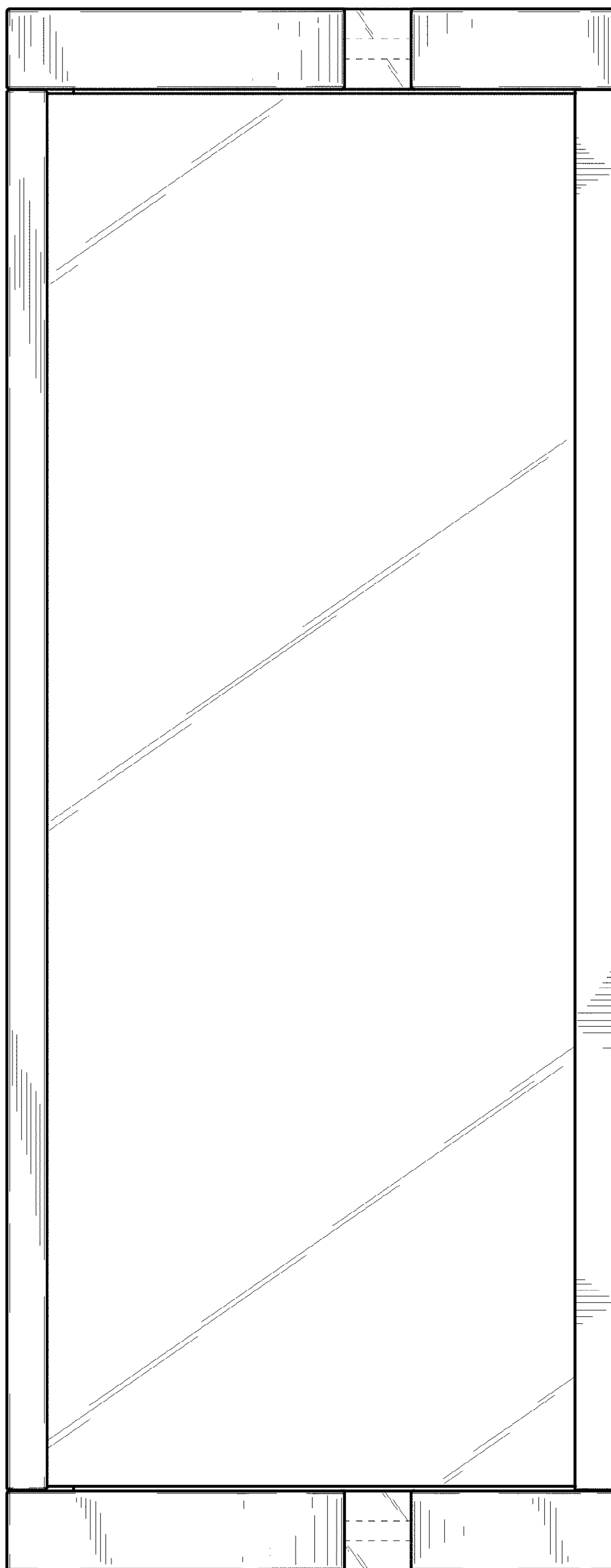


Fig. 11