



US00D615771S

(12) **United States Design Patent**
Kohler

(10) **Patent No.:** **US D615,771 S**

(45) **Date of Patent:** **** May 18, 2010**

(54) **FRAME ASSEMBLY WITH SHELVES**

(75) Inventor: **Paul Albert Kohler**, Seattle, WA (US)

(73) Assignee: **Slam Brands, Inc.**, Redmond, WA (US)

(**) Term: **14 Years**

(21) Appl. No.: **29/336,530**

(22) Filed: **May 5, 2009**

(51) **LOC (9) Cl.** **06-04**

(52) **U.S. Cl.** **D6/460; D6/474**

(58) **Field of Classification Search** D6/449,
D6/474, 477-479, 461, 460, 468; 312/7.2,
312/9.1; 108/59, 91, 92, 96; 211/40, 41.12,
211/42, 49.1, 50, 85.2, 90.04, 187, 190, 119.003,
211/134.153, 87.01, 71.01

See application file for complete search history.

(56) **References Cited**

U.S. PATENT DOCUMENTS

D480,237 S *	10/2003	de Carolis	D6/474
D489,548 S *	5/2004	Malizia	D6/477
D507,128 S *	7/2005	Choo	D6/477
D515,848 S *	2/2006	Takami et al.	D6/477
D517,350 S *	3/2006	Sexton	D6/479
D543,729 S *	6/2007	Weatherly	D6/474
D572,944 S *	7/2008	Sexton	D6/477
D591,089 S *	4/2009	Sexton	D6/479
D595,978 S *	7/2009	Portnoy et al.	D6/477
D601,370 S *	10/2009	Kohler	D6/495

* cited by examiner

Primary Examiner—Ian Simmons

Assistant Examiner—Sydney R Buffalow

(74) *Attorney, Agent, or Firm*—Turocy & Watson, LLP;
Thomas E. Watson

(57) **CLAIM**

The ornamental design for frame assembly with shelves, as shown and described.

DESCRIPTION

FIG. 1 is a top perspective view of a design for a frame assembly with shelves;

FIG. 2 is the top perspective view without environmental elements blocking a view thereof;

FIG. 3 is a bottom perspective view of the design;

FIG. 4 is the bottom perspective view without environmental elements blocking a view thereof;

FIG. 5 is a left side view thereof mirrored on the right side;

FIG. 6 is a front side view thereof;

FIG. 7 is a back side view thereof;

FIG. 8 is a top plan view thereof;

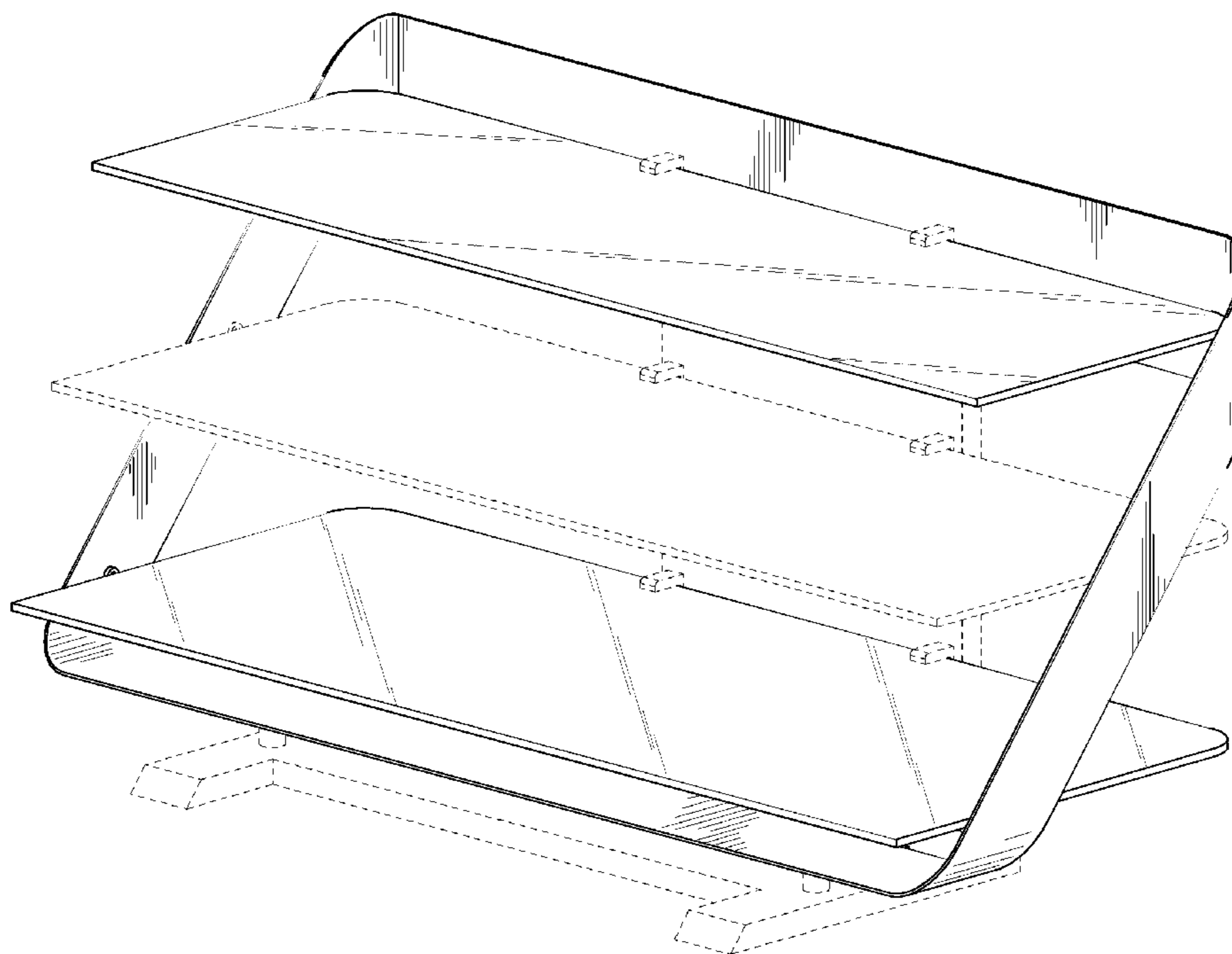
FIG. 9 is the top plan view without environmental elements blocking a view thereof;

FIG. 10 is a bottom plan view thereof; and,

FIG. 11 is the bottom plan view without environmental elements blocking a view thereof.

The dashed lines in the drawings are shown for environmental purposes and form no part of the claimed design.

1 Claim, 11 Drawing Sheets



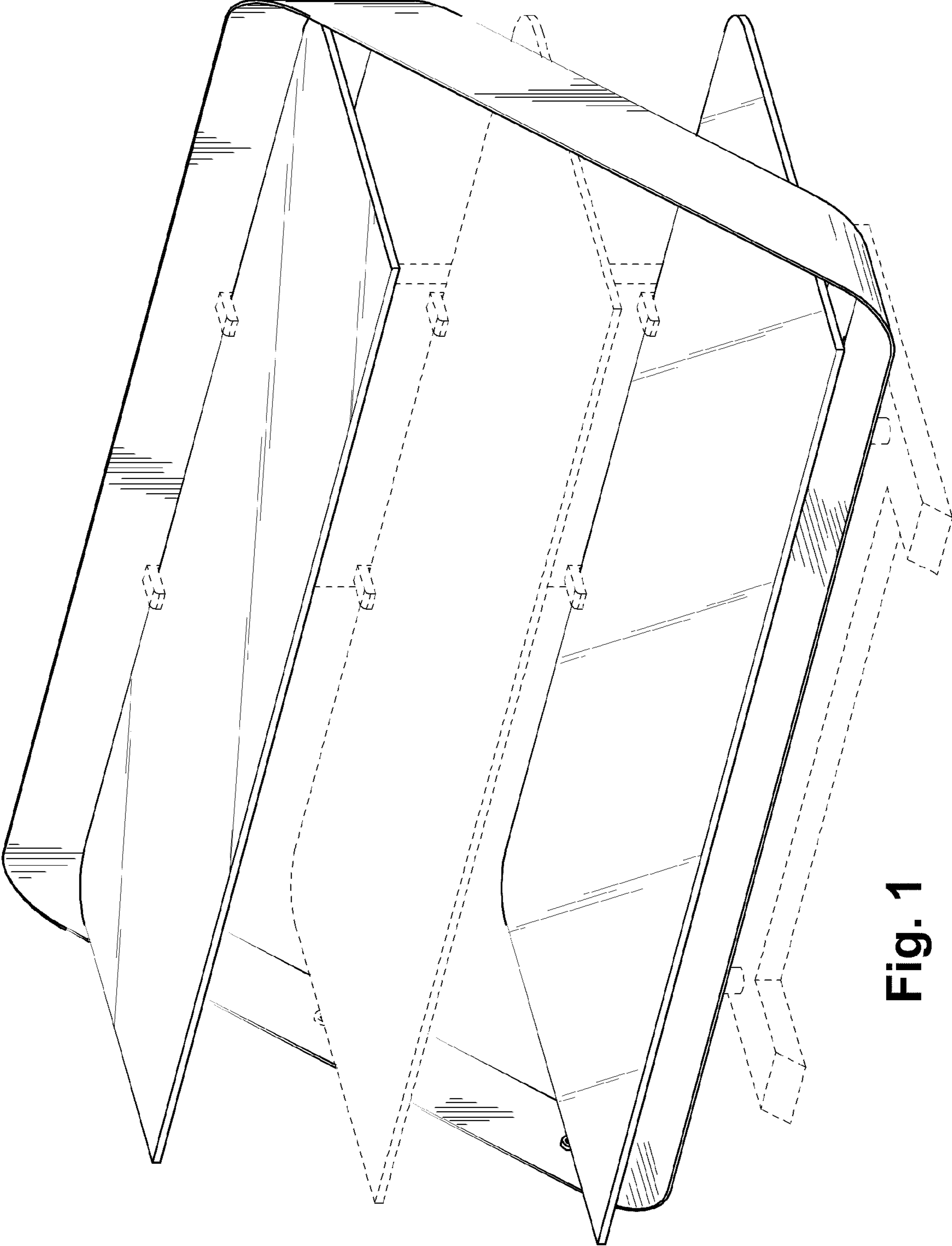


Fig. 1

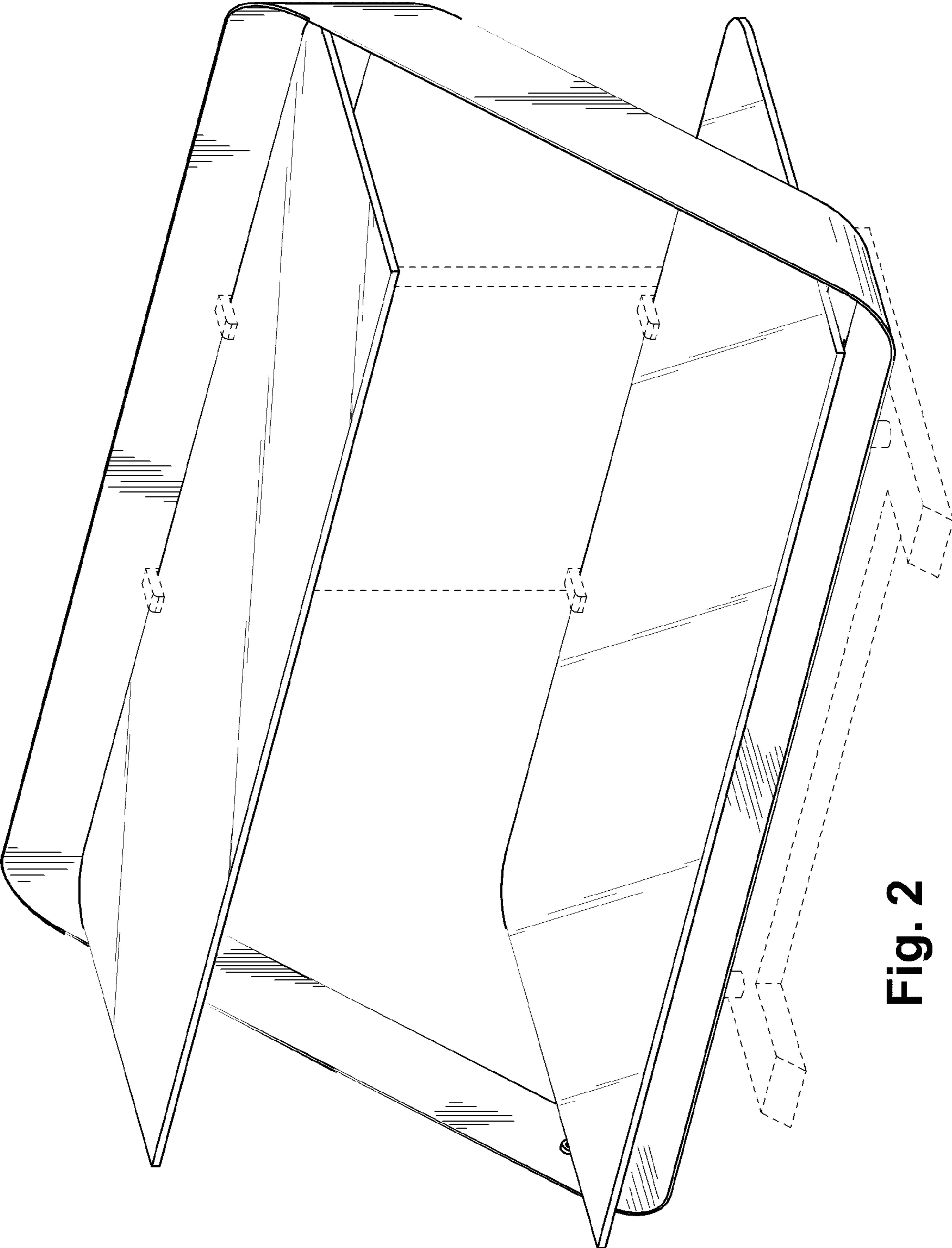


Fig. 2

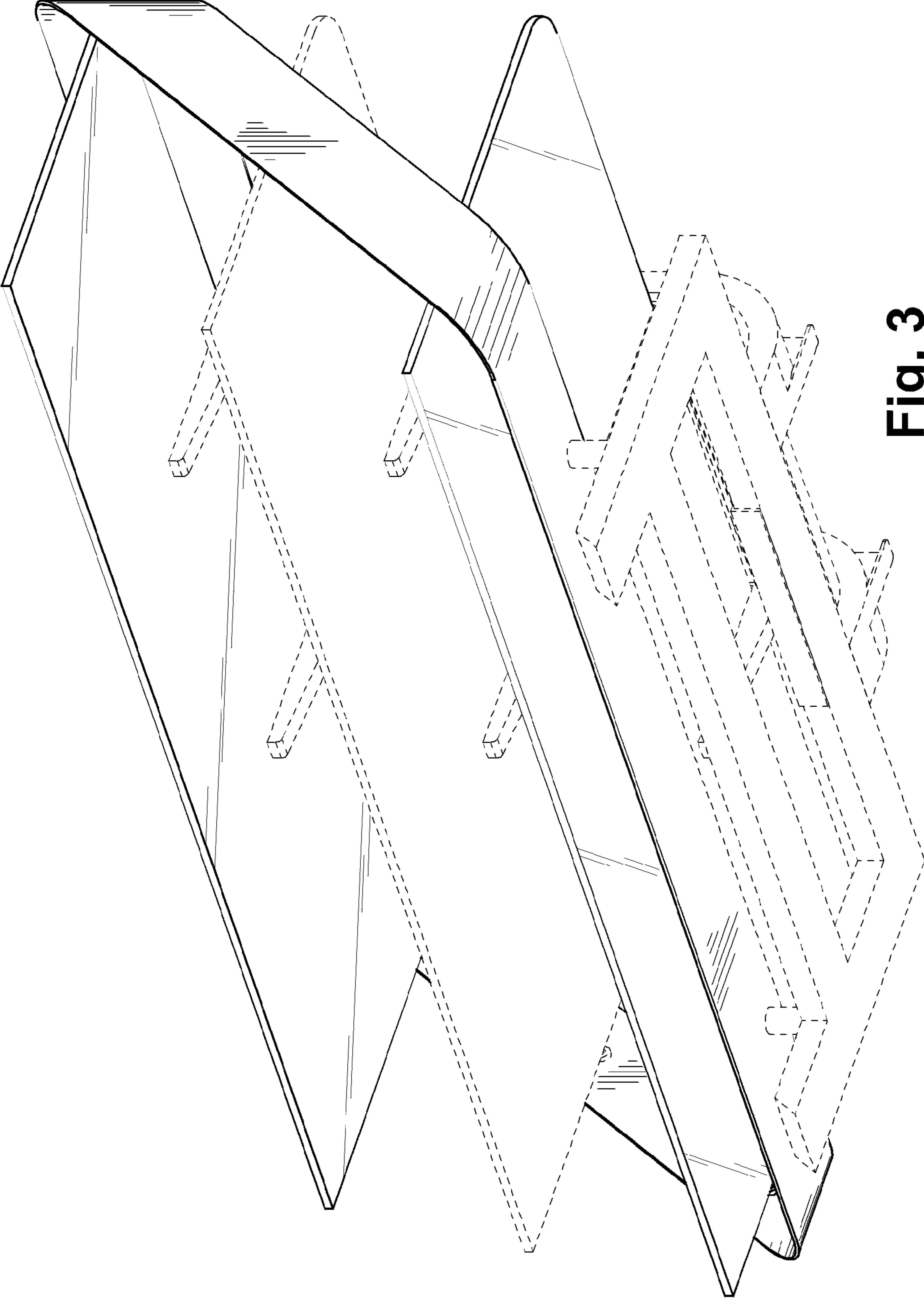


Fig. 3

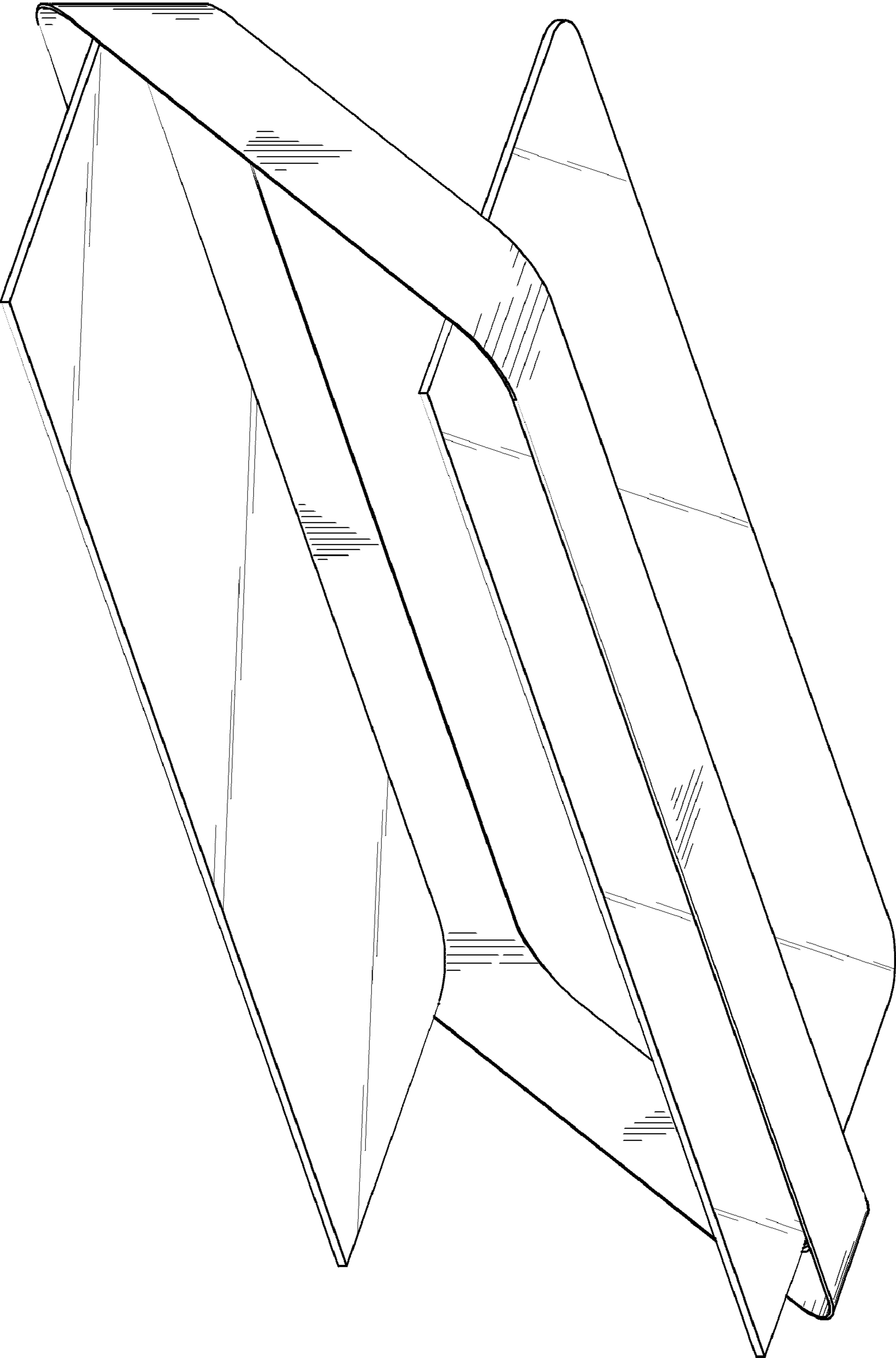


Fig. 4

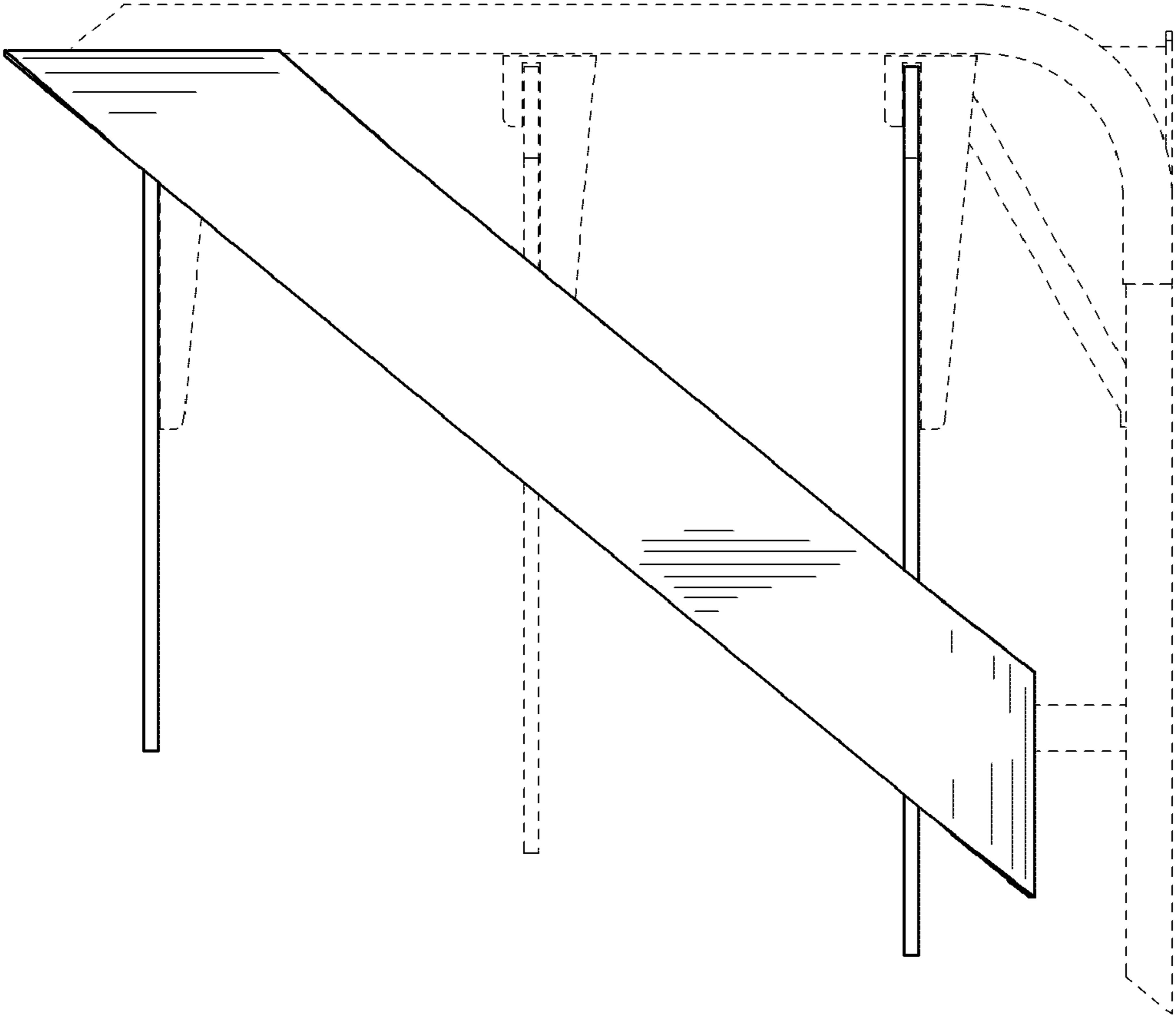


Fig. 5

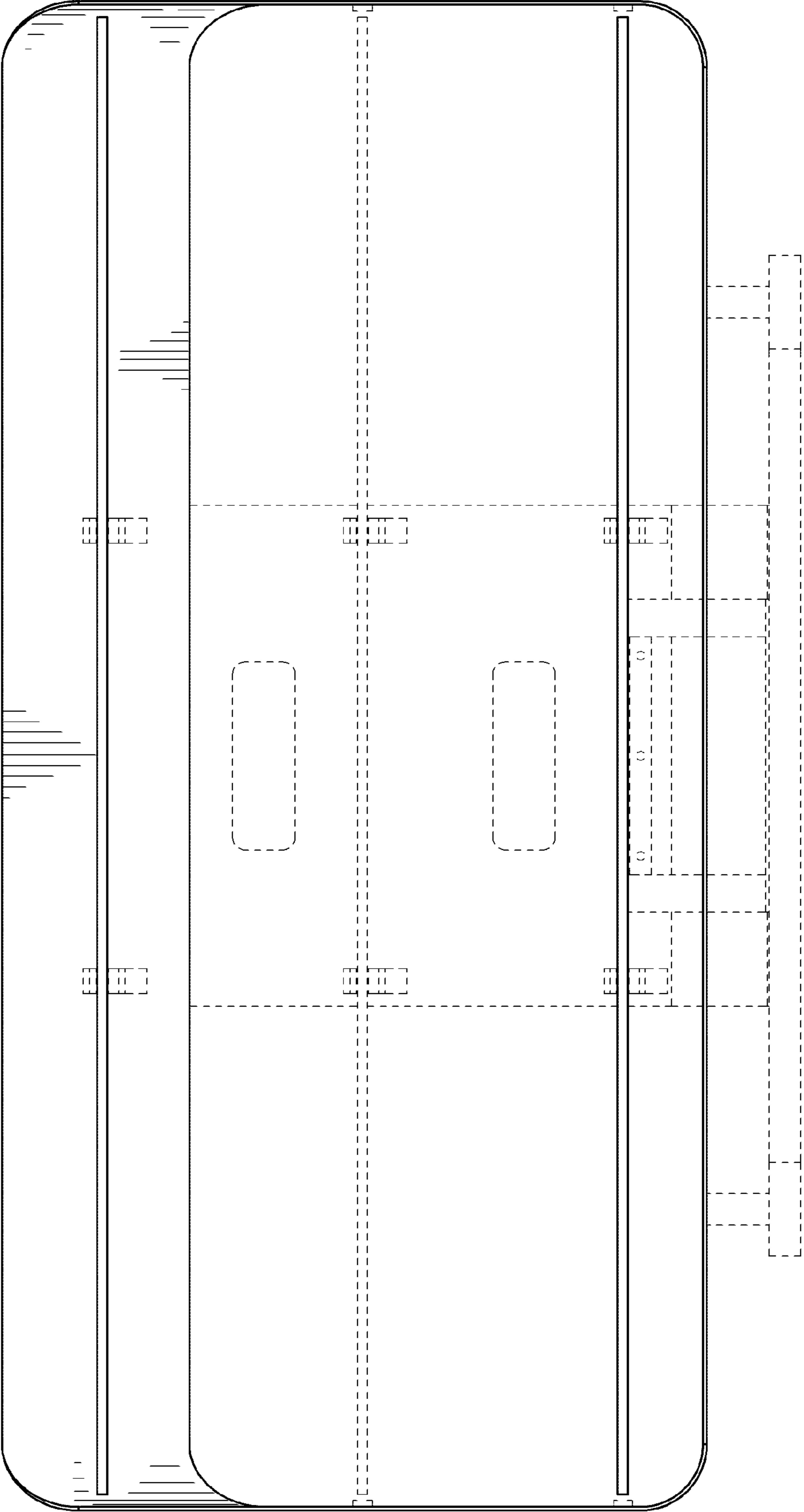


Fig. 6

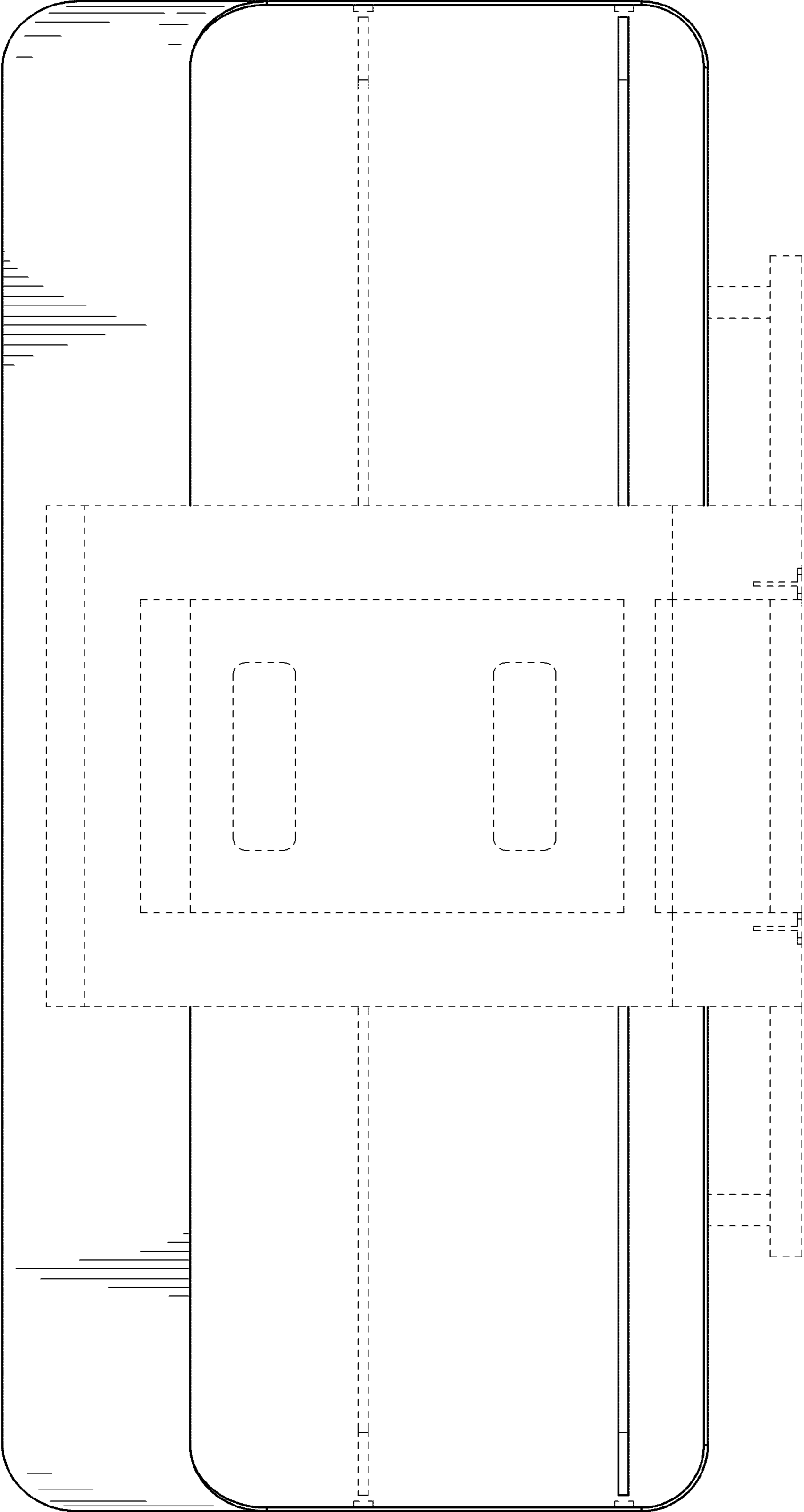


Fig. 7

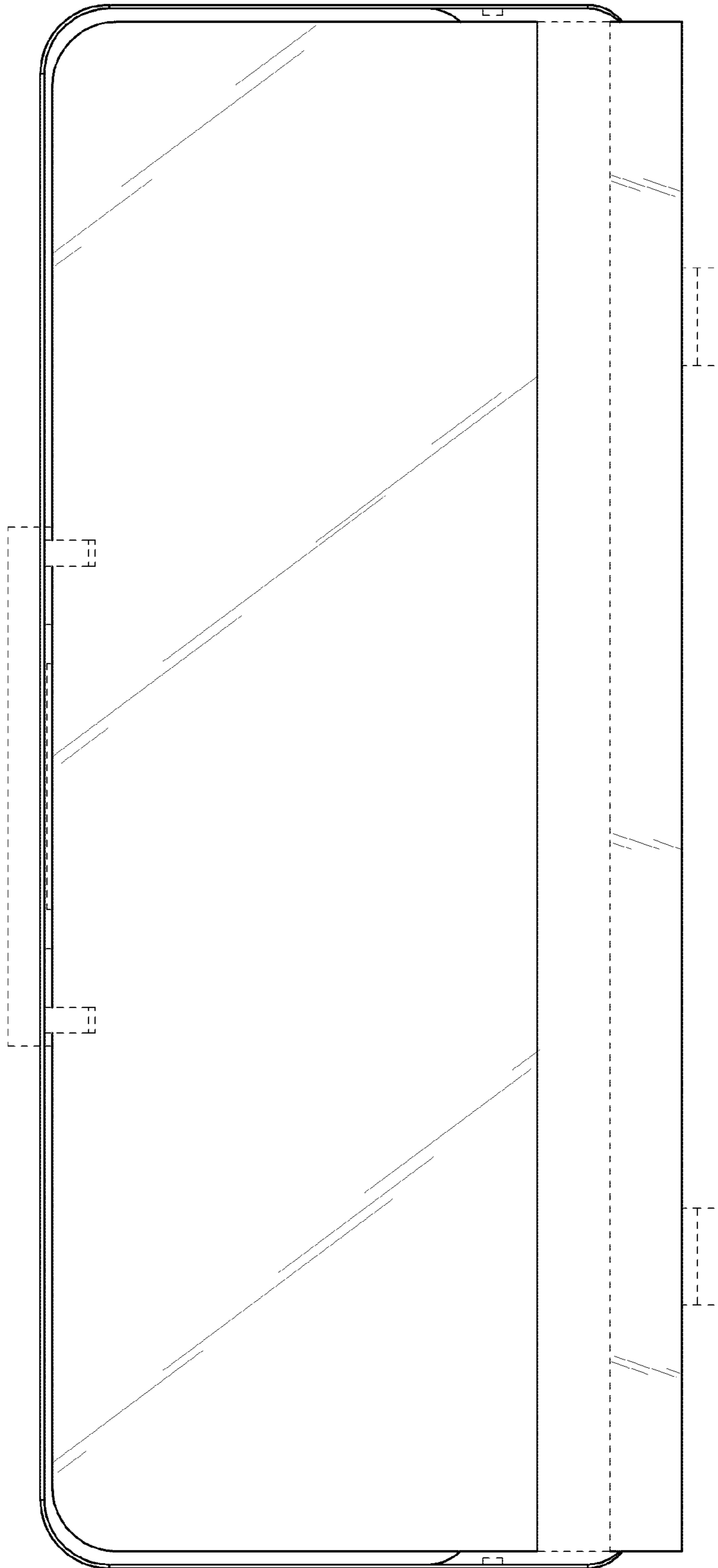


Fig. 8

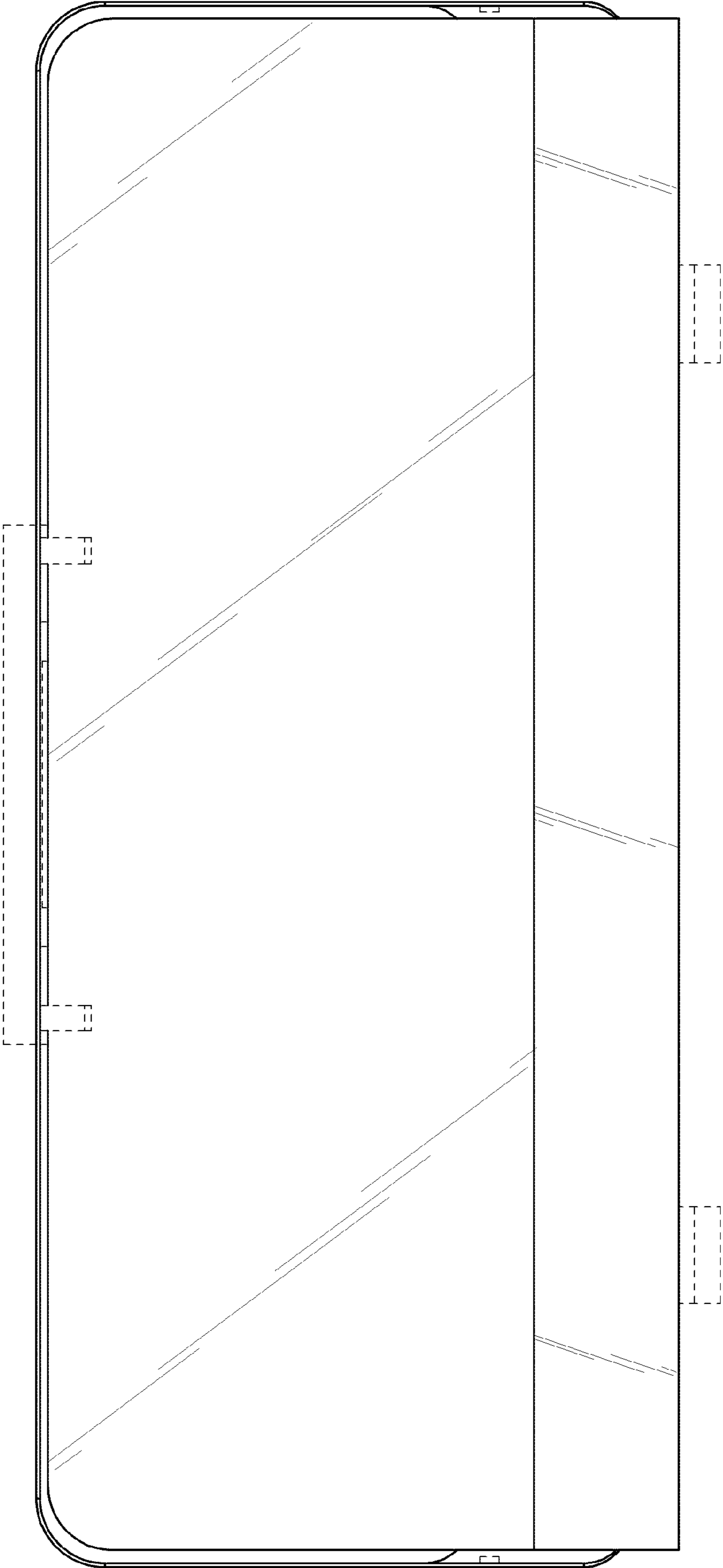


Fig. 9

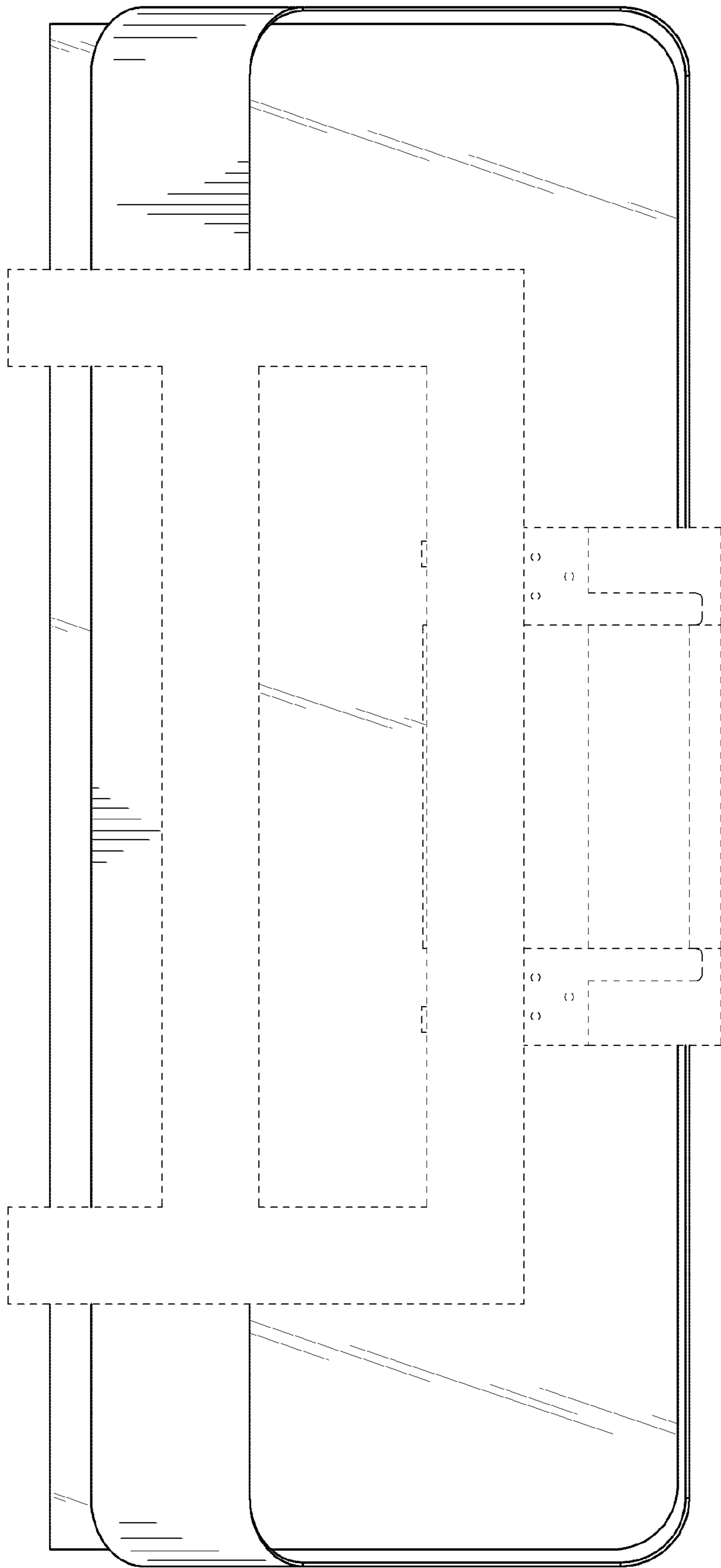


Fig. 10

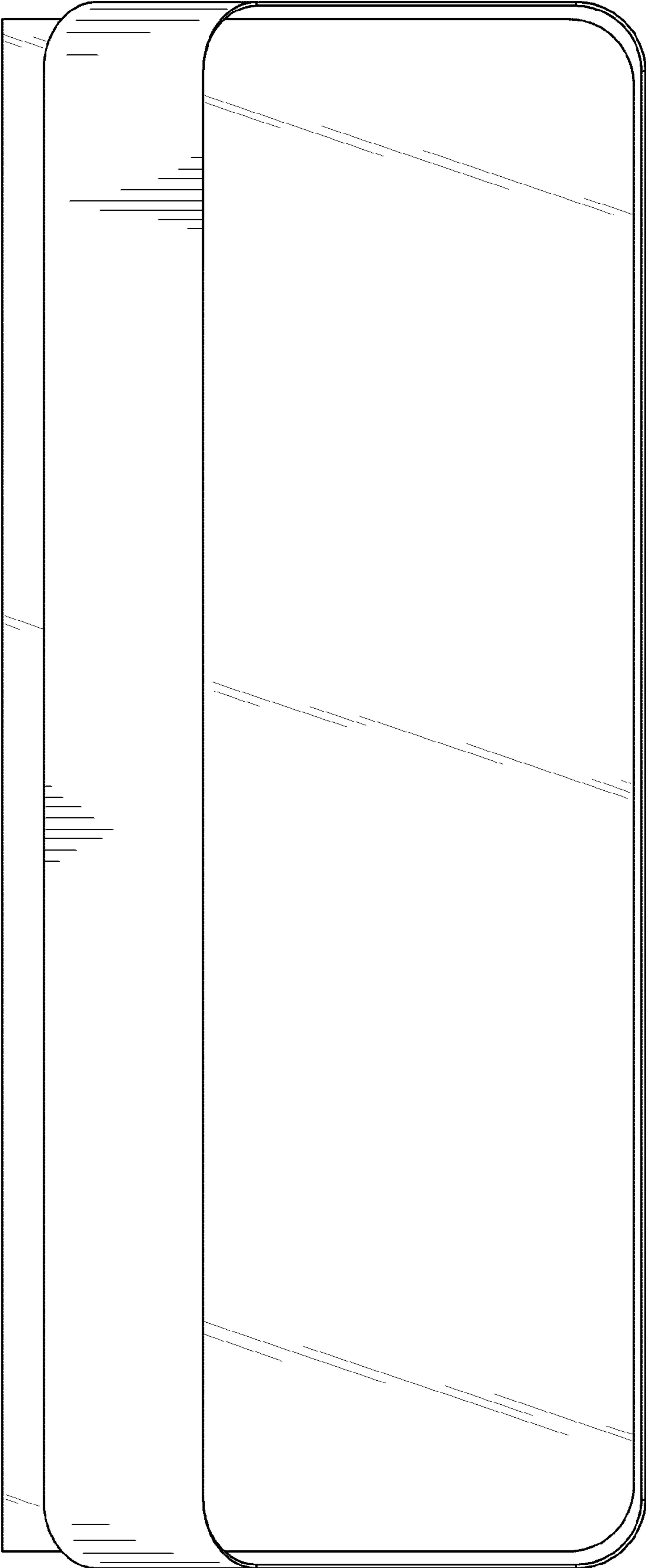


Fig. 11