



US00D615767S

(12) **United States Design Patent**
Griepentrog et al.

(10) **Patent No.:** **US D615,767 S**

(45) **Date of Patent:** **** May 18, 2010**

(54) **ARTICLE OF SEATING FURNITURE**

(75) Inventors: **Dennis G. Griepentrog**, DePere, WI (US); **Shawn Barrett**, Libertyville, IL (US)

(73) Assignee: **Krueger International, Inc.**, Green Bay, WI (US)

(**) Term: **14 Years**

(21) Appl. No.: **29/352,885**

(22) Filed: **Dec. 29, 2009**

Related U.S. Application Data

(62) Division of application No. 29/280,881, filed on Jun. 8, 2007, now Pat. No. Des. 609,026.

(51) **LOC (9) Cl.** **06-01**

(52) **U.S. Cl.** **D6/381**

(58) **Field of Classification Search** D6/334, D6/369, 374, 491, 492, 495, 500-502; 297/63, 297/94, 232, 233, 248, 283.1, 283.2, 535, 297/354.1, 445.1, 446.1, 448.1; 5/12.1, 12.2
See application file for complete search history.

(56) **References Cited**

U.S. PATENT DOCUMENTS

2,087,574	A *	7/1937	Kaufer	297/113
3,857,120	A	12/1974	Acker		
4,110,855	A	9/1978	Acker		
4,292,698	A	10/1981	Acker		
D263,770	S *	4/1982	Melchior	D6/334
D272,968	S	3/1984	Fairaizen		
4,621,381	A *	11/1986	Schramek	5/12.2
D335,035	S	4/1993	Floyd		
5,787,522	A	8/1998	Swihart		
D422,422	S *	4/2000	Black	D6/369

(Continued)

Primary Examiner—Sandra Snapp

(74) *Attorney, Agent, or Firm*—Andrus, Scales, Starke & Sawall, LLP

(57) **CLAIM**

The ornamental design for an article of seating furniture, as shown and described.

DESCRIPTION

FIG. 1 is an isometric view of an article of seating furniture incorporating my new design;

FIG. 2 is a front elevation view thereof;

FIG. 3 is a top plan view thereof;

FIG. 4 is a right side elevation view thereof;

FIG. 5 is a rear elevation view thereof;

FIG. 6 is an isometric view of an article of seating furniture incorporating my new design;

FIG. 7 is a front elevation view thereof;

FIG. 8 is a top plan view thereof;

FIG. 9 is a right side elevation view thereof, the left side elevation view being a mirror image;

FIG. 10 is a rear elevation view thereof;

FIG. 11 is an isometric view showing an article of seating furniture as in FIG. 1 converted to a bed configuration;

FIG. 12 is a front elevation view thereof;

FIG. 13 is a top plan view thereof;

FIG. 14 is a right side elevation view thereof;

FIG. 15 is a rear elevation view thereof;

FIG. 16 is an isometric view showing an article of seating furniture as in FIG. 6 converted to a bed configuration;

FIG. 17 is a front elevation view thereof;

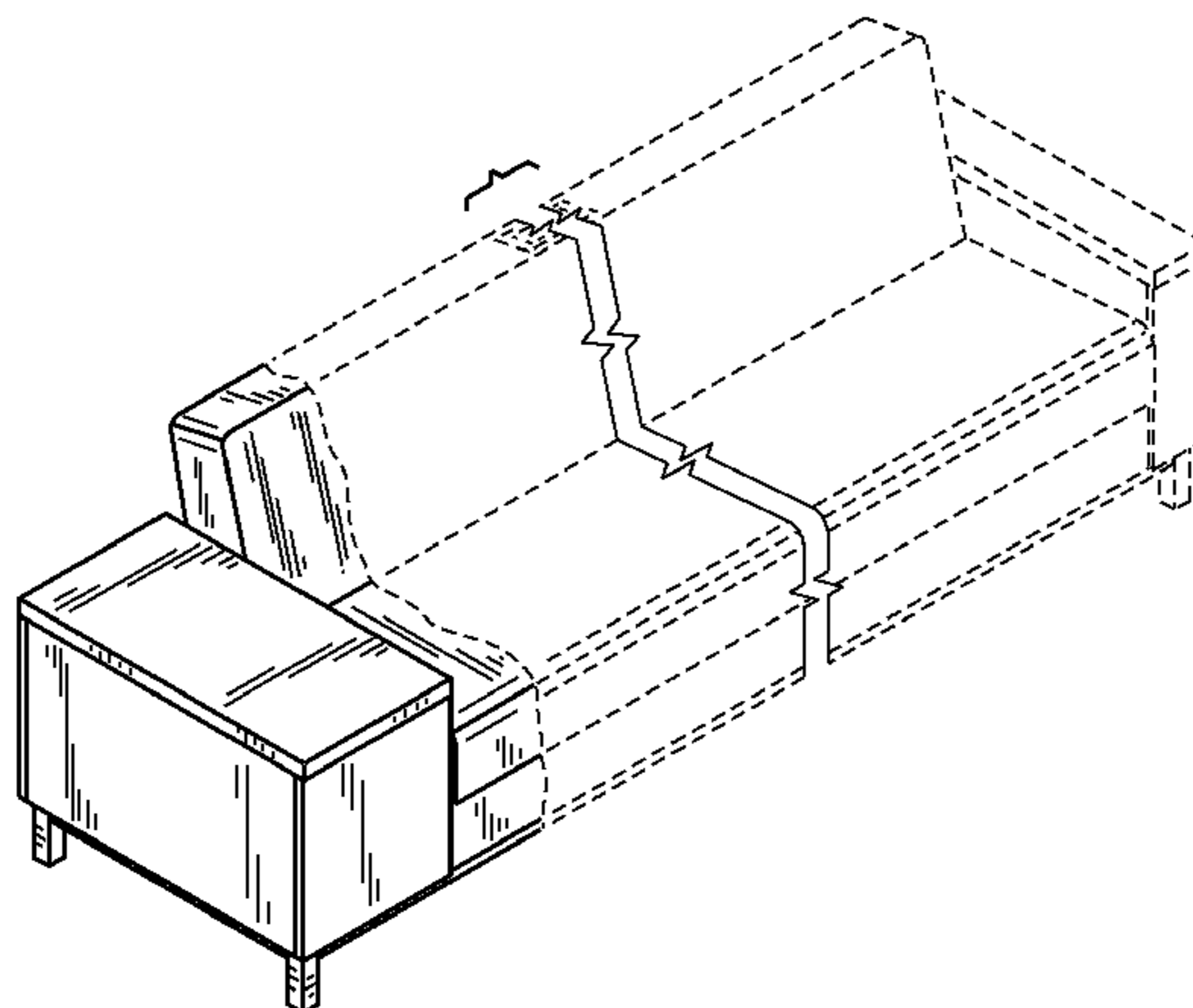
FIG. 18 is a top plan view thereof;

FIG. 19 is a right side elevation view thereof, wherein the left side elevation view is a mirror image; and,

FIG. 20 is a rear elevation view thereof.

The portions shown in phantom illustrate environment and form no part of the claimed design, and it is understood that the broken-away portions represents indeterminate length.

1 Claim, 8 Drawing Sheets



US D615,767 S

Page 2

U.S. PATENT DOCUMENTS

D486,652 S	2/2004	Nemeth		
6,739,651 B1	5/2004	Barefoot		
D490,630 S	6/2004	Pesso		
D491,756 S	6/2004	Nemeth		
D493,039 S *	7/2004	Ricci	D6/381	
D515,333 S *	2/2006	Natuzzi	D6/381	
D515,334 S *	2/2006	Natuzzi	D6/381	
D527,541 S *	9/2006	Natuzzi	D6/381	
D541,074 S *	4/2007	Natuzzi	D6/381	
D546,575 S *	7/2007	Nastri	D6/381	
D569,123 S *	5/2008	Roos et al.	D6/381	
D577,152 S *	9/2008	Ceva	D28/35	
D587,029 S *	2/2009	Mourgue	D6/381	
D588,827 S *	3/2009	Mourgue	D6/381	
D591,073 S	4/2009	Natuzzi		
D600,938 S *	9/2009	Natuzzi	D6/381	

* cited by examiner

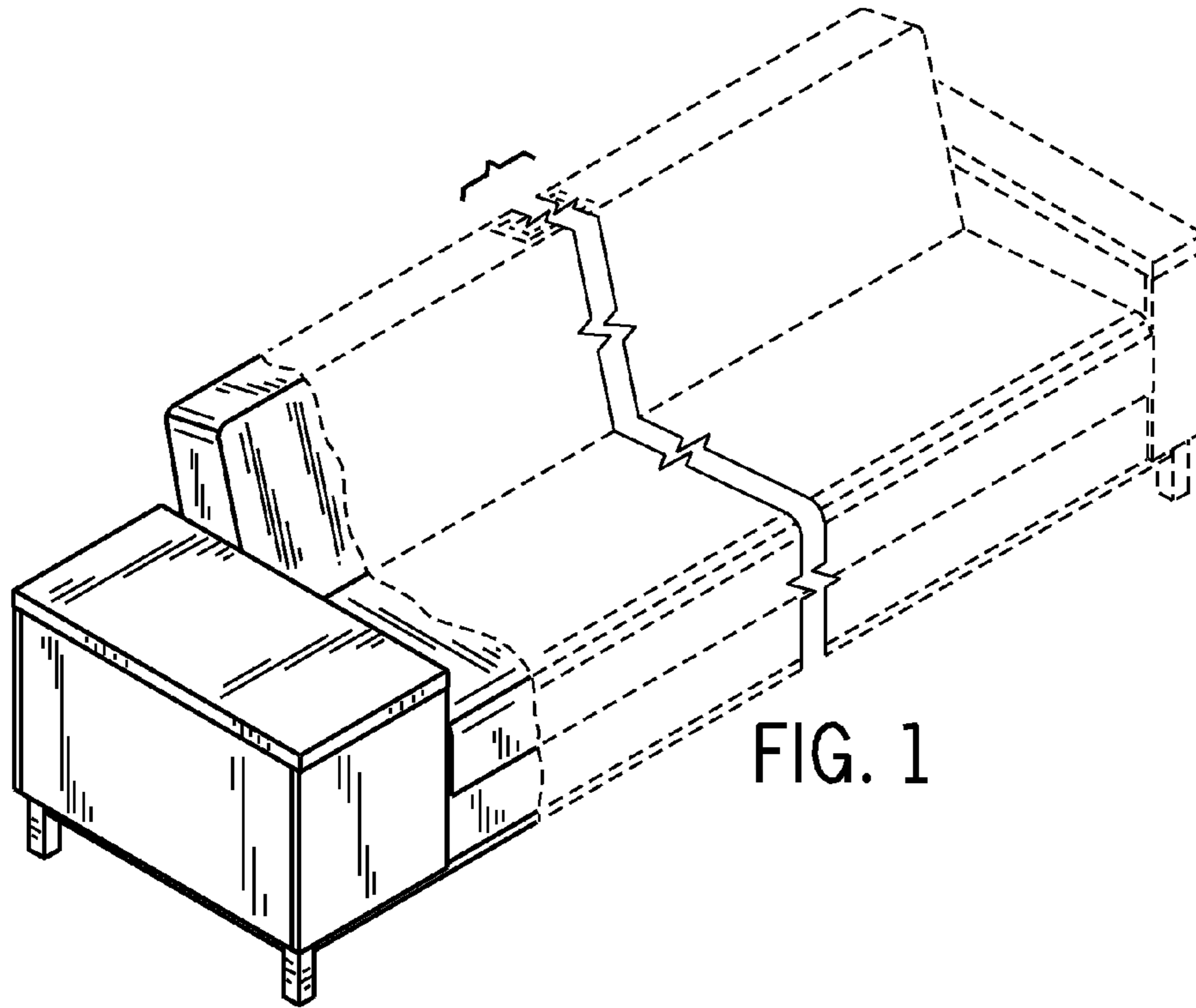


FIG. 1

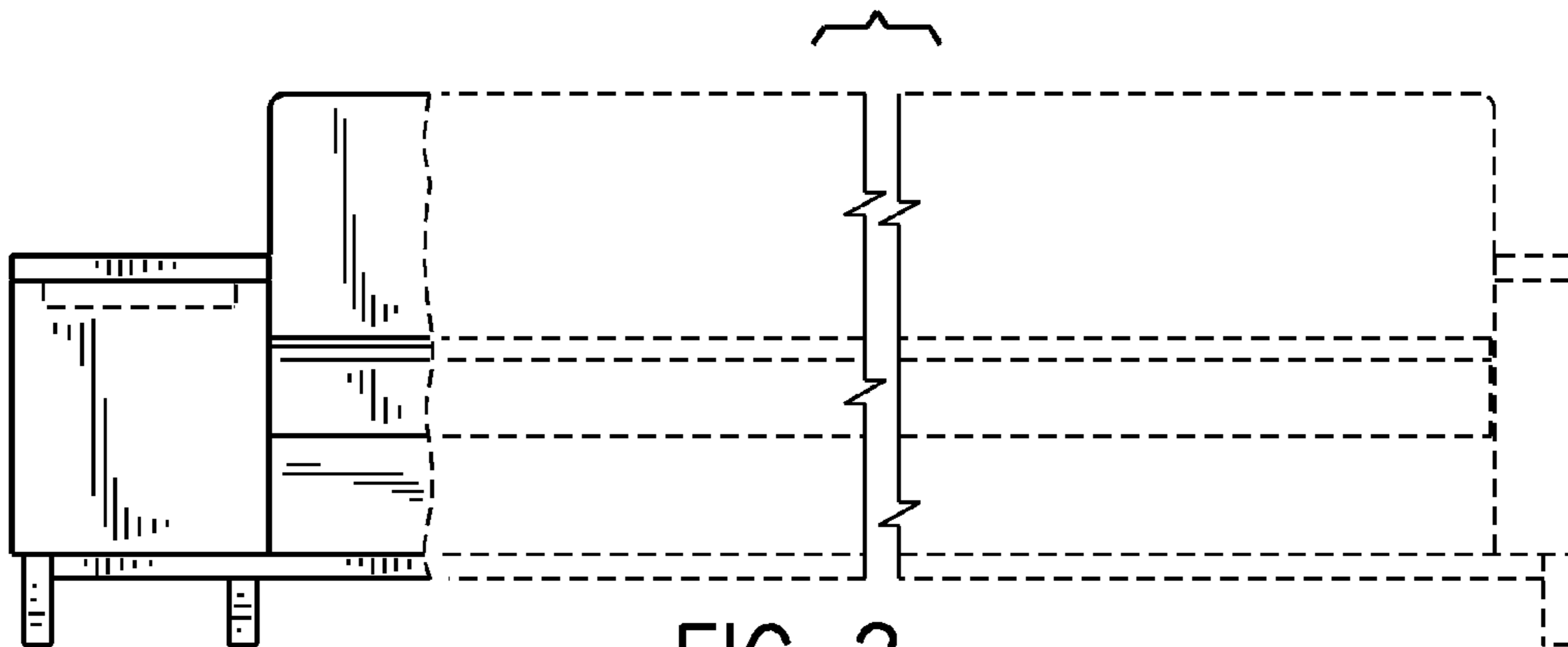


FIG. 2

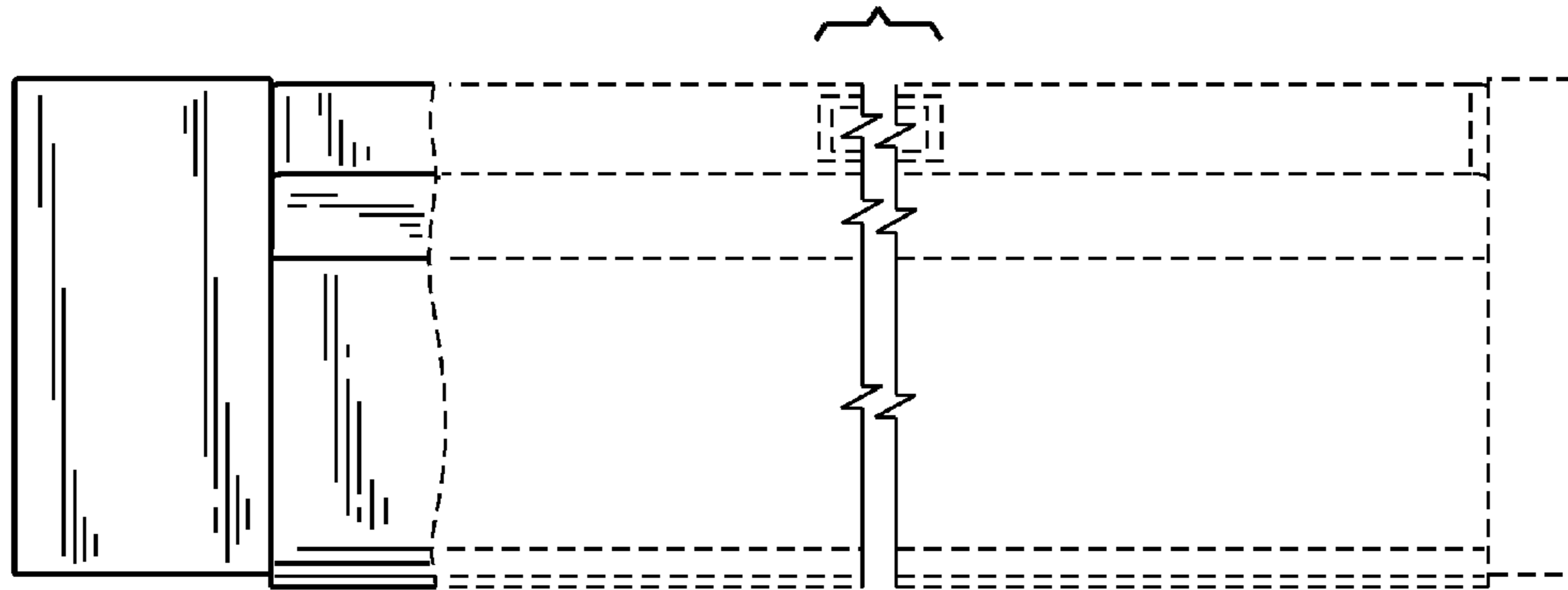


FIG. 3

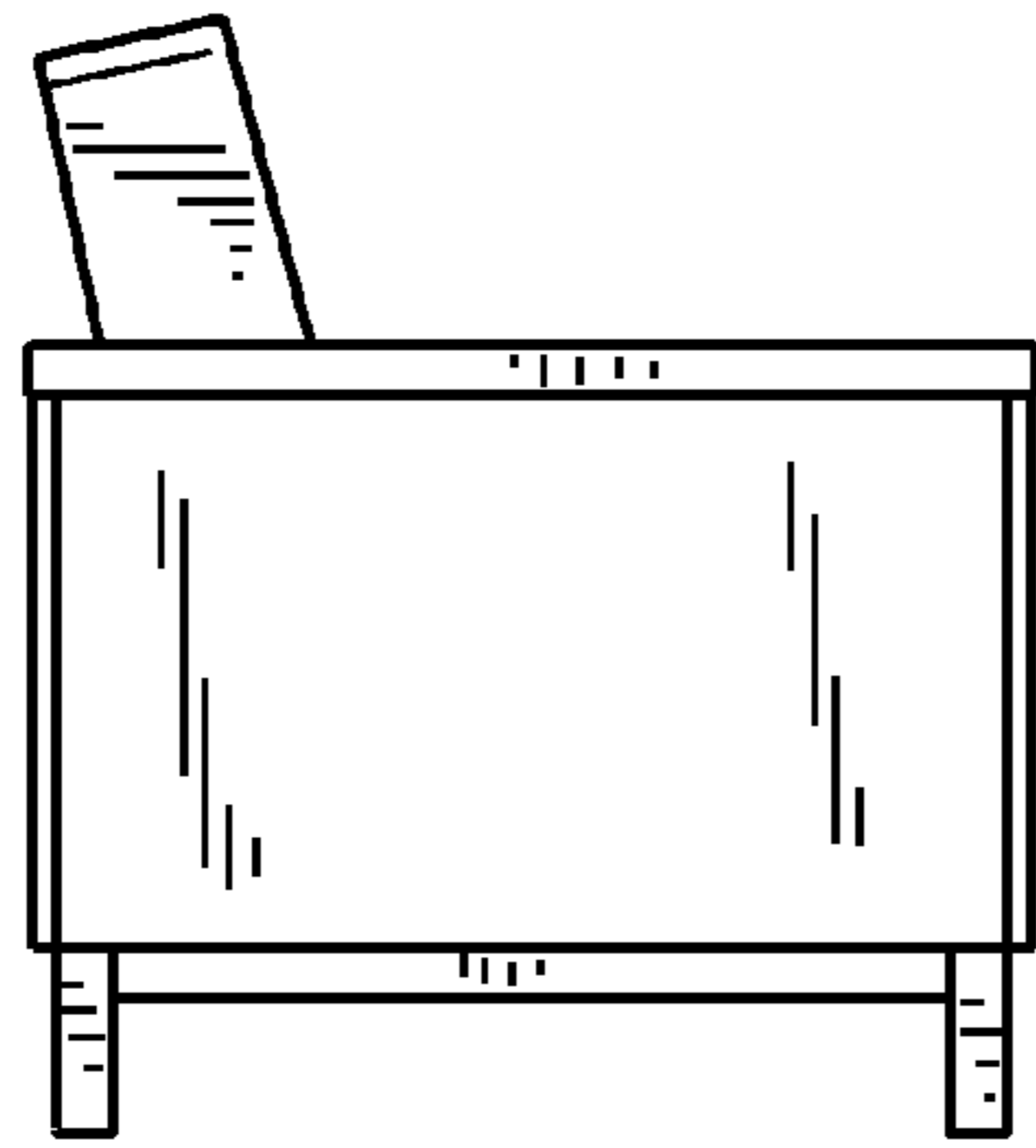


FIG. 4

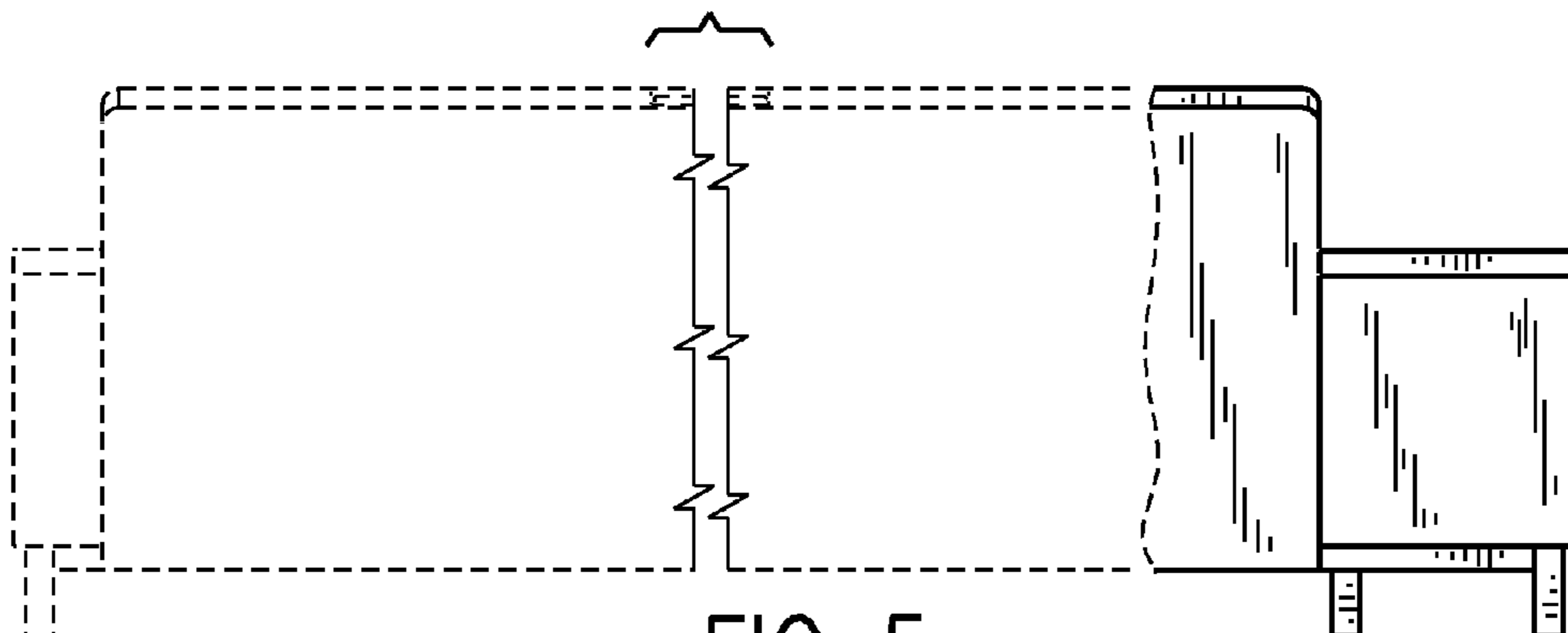


FIG. 5

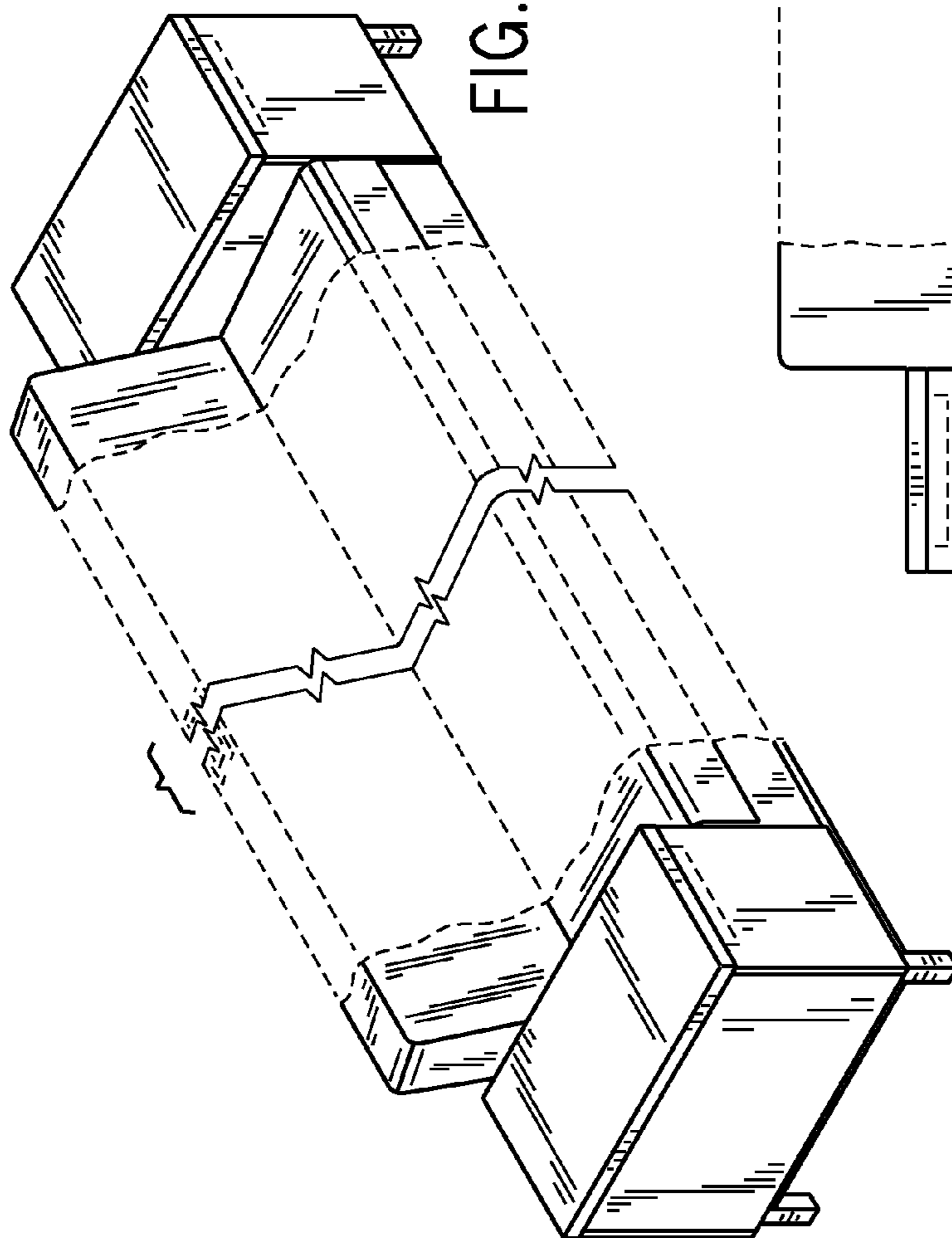


FIG. 6

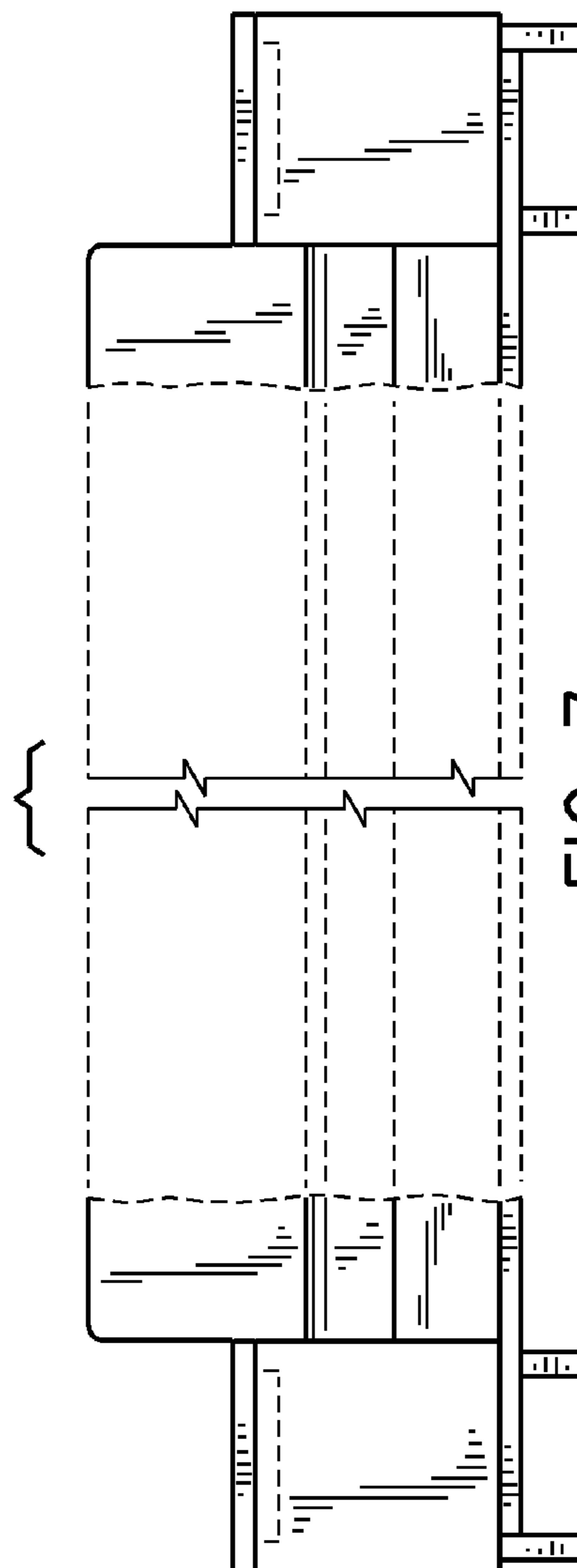


FIG. 7

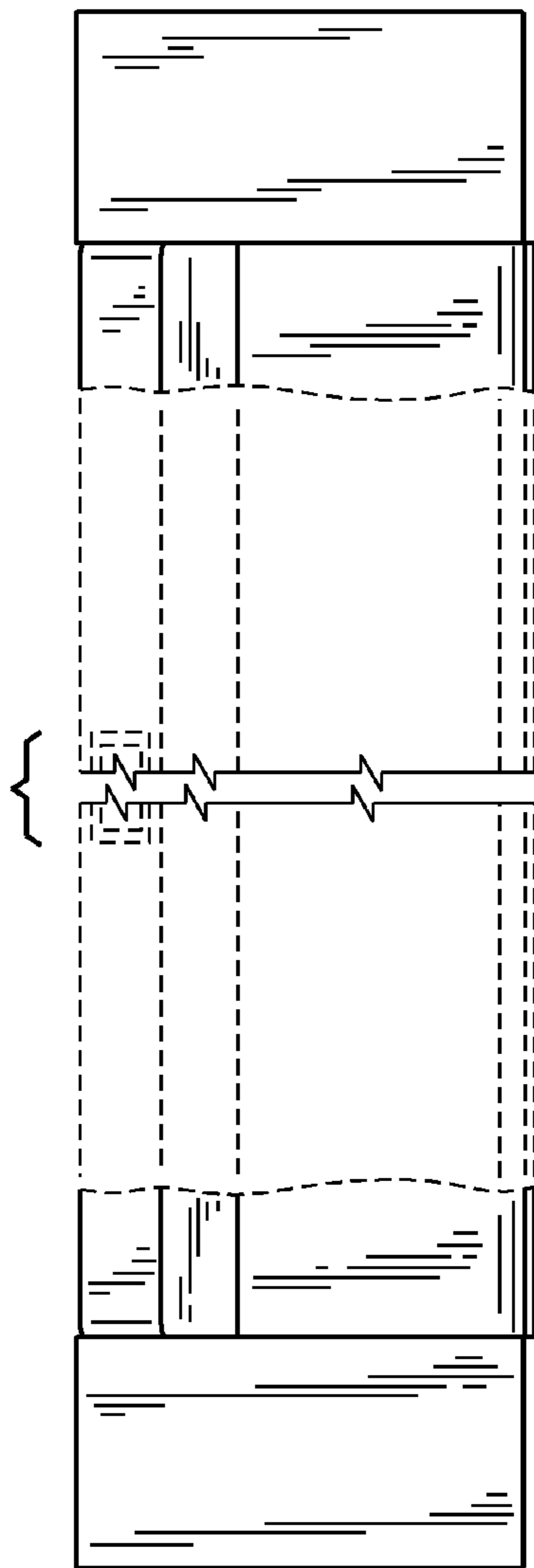


FIG. 8

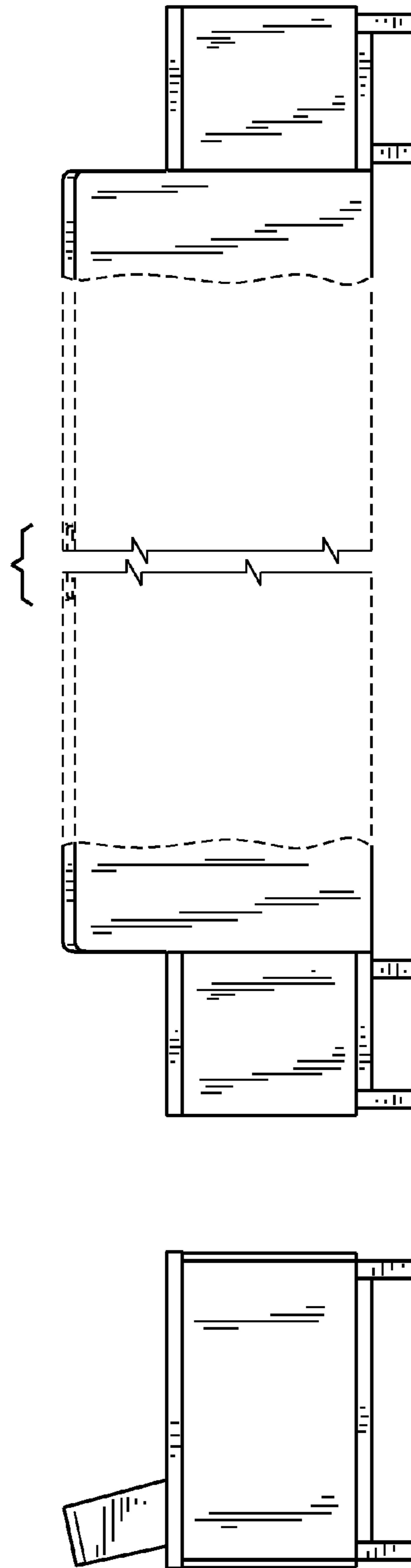


FIG. 9

FIG. 10

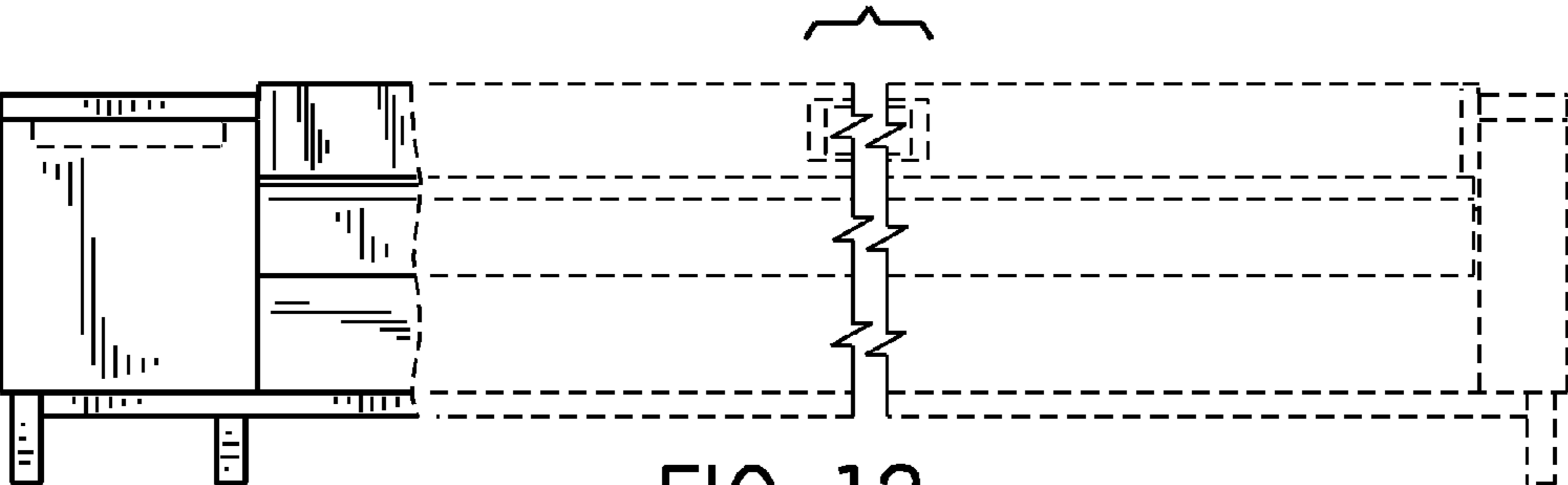
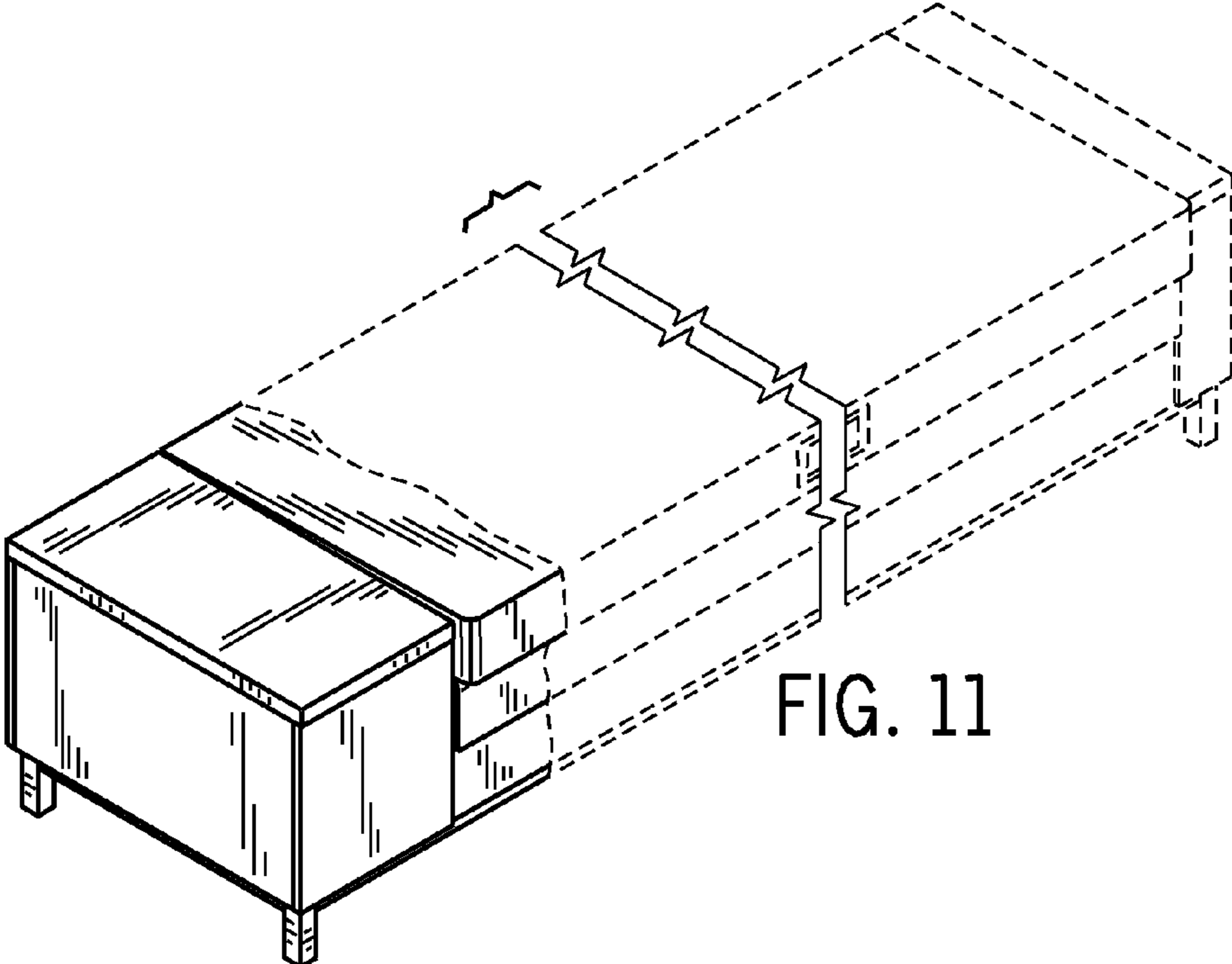


FIG. 12

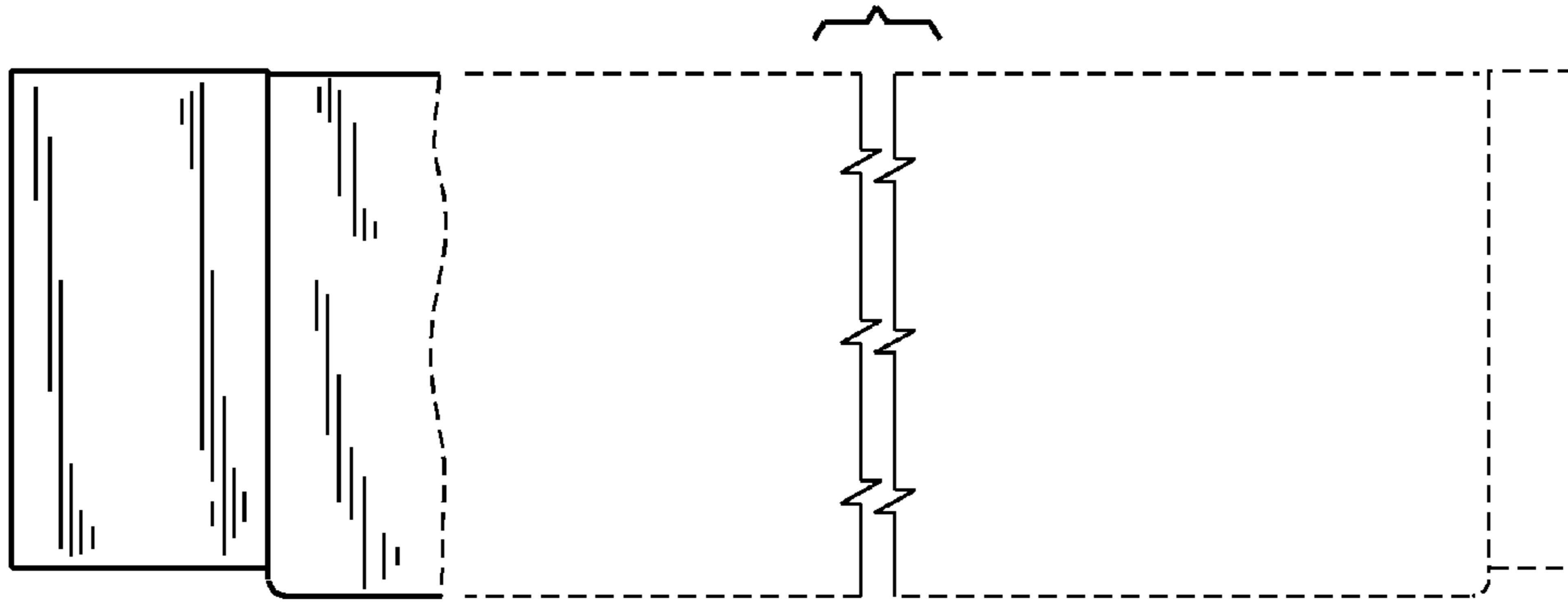


FIG. 13

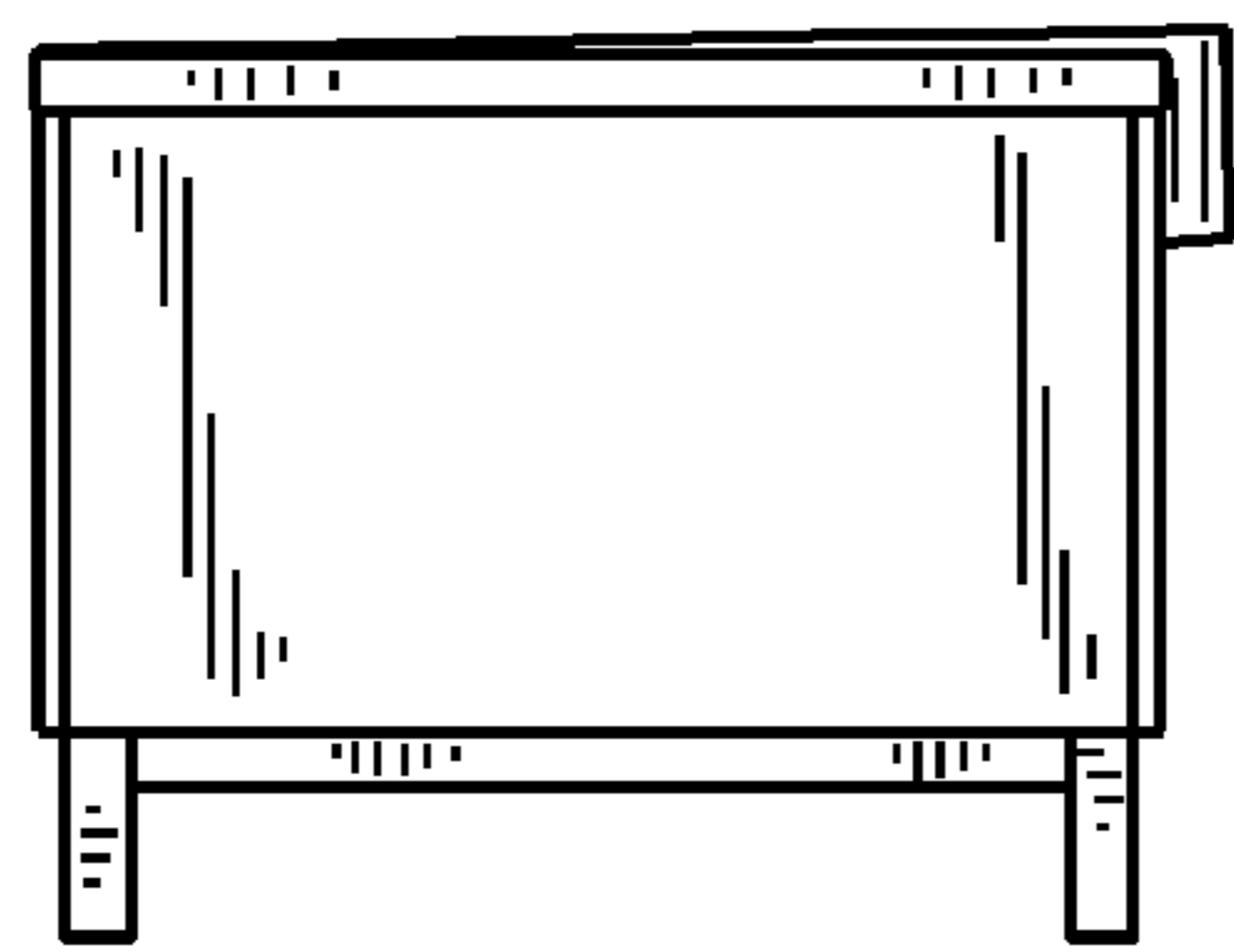


FIG. 14

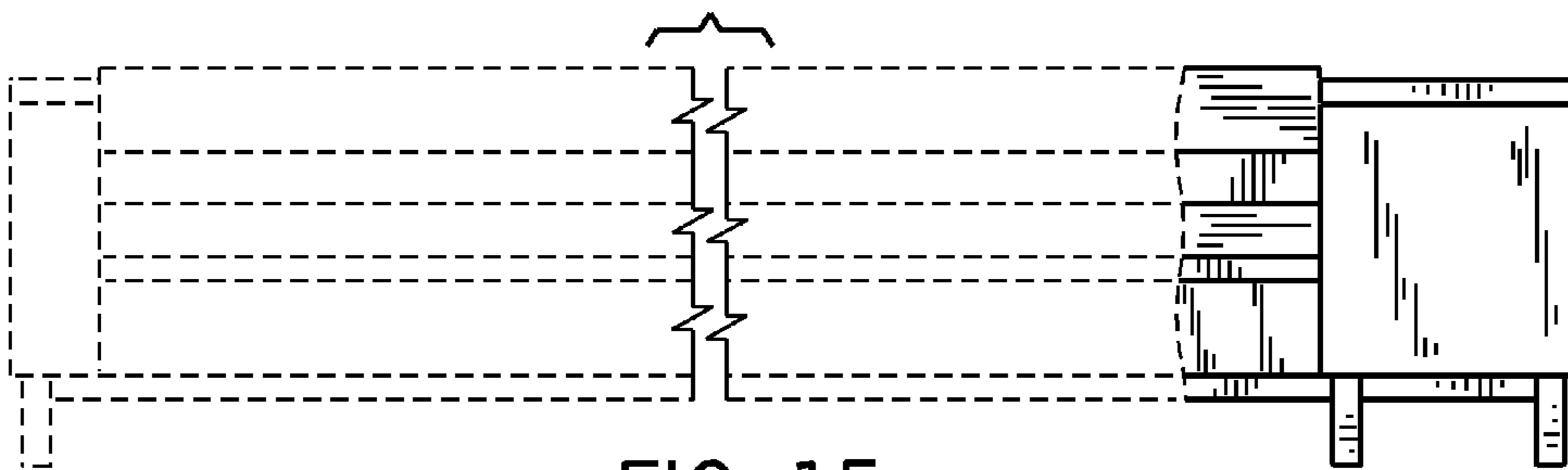


FIG. 15

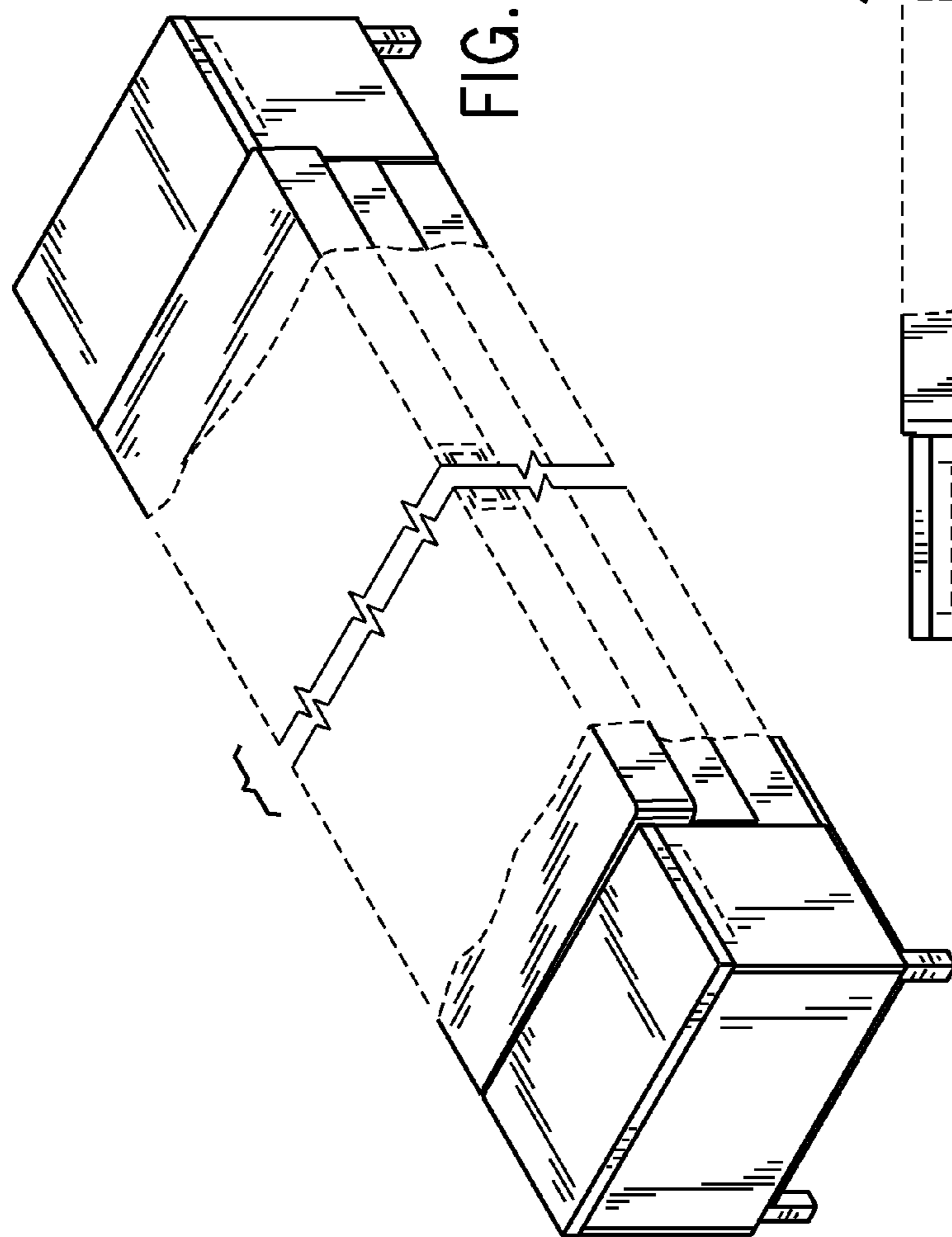


FIG. 16

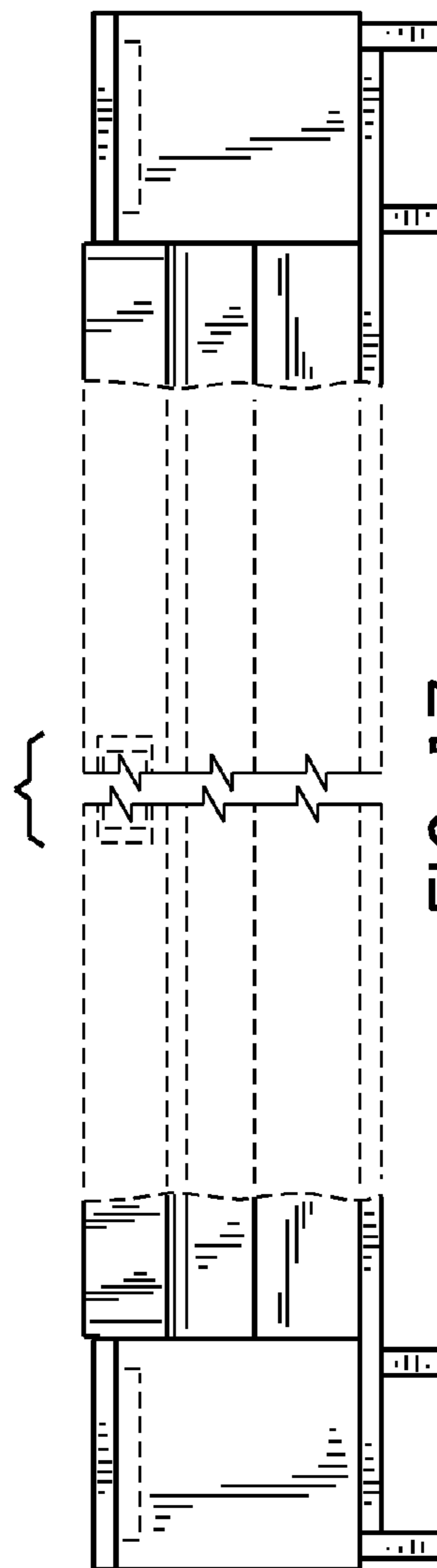


FIG. 17

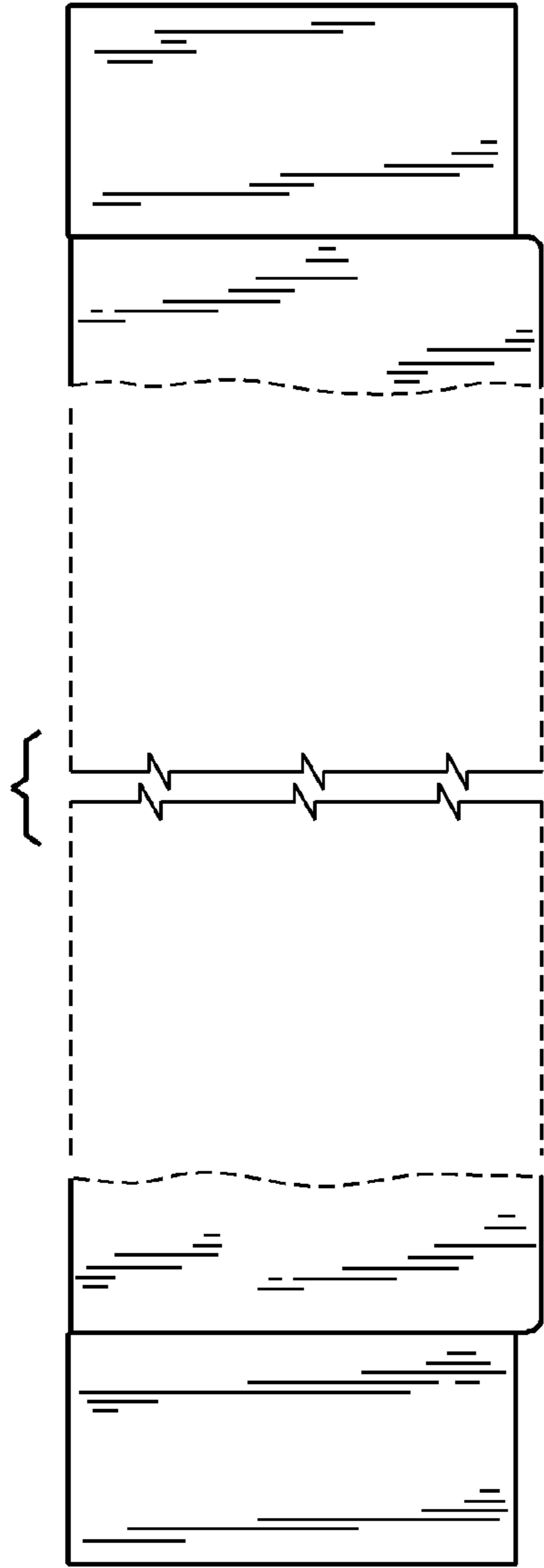


FIG. 18

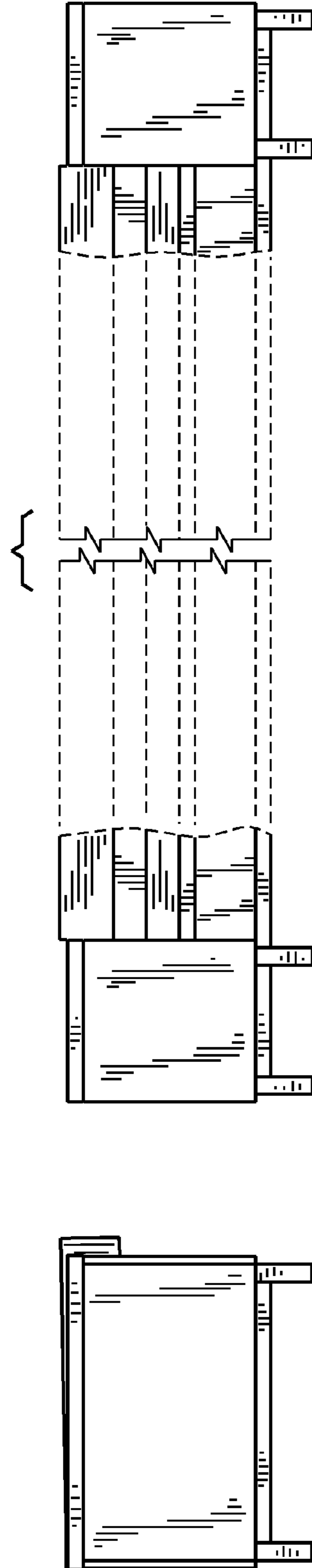


FIG. 20

FIG. 19