



US00D615766S

(12) **United States Design Patent**
Andersen

(10) **Patent No.:** **US D615,766 S**
(45) **Date of Patent:** **** May 18, 2010**

(54) **SOFA**

(75) Inventor: **Per Weiss Andersen**, Randers (DK)

(73) Assignee: **Innovation U.S.A., Inc.**, Hanover, MD (US)

(**) Term: **14 Years**

(21) Appl. No.: **29/341,186**

(22) Filed: **Jul. 31, 2009**

(51) **LOC (9) Cl.** **06-01**

(52) **U.S. Cl.** **D6/381**

(58) **Field of Classification Search** D6/334,
D6/349, 355, 359, 369, 370, 371, 381-383,
D6/491, 492, 500-503; 297/94, 181, 233,
297/234, 235, 283.2, 311, 351, 353, 354.1,
297/354.12, 354.13, 445.1, 451.1, 451.8,
297/451.9; 5/12.1, 12.2

See application file for complete search history.

(56) **References Cited**

U.S. PATENT DOCUMENTS

D169,911 S *	6/1953	Netzer	D6/381
D170,088 S *	7/1953	Hoffman	D6/381
D175,877 S *	10/1955	Bartolucci	D6/381
2,774,997 A *	12/1956	Zitomer	49/422
D179,829 S *	3/1957	Garrigus, Sr. et al.	D6/377
2,985,892 A *	5/1961	Garrigus, Sr. et al.	5/12.1
D272,968 S *	3/1984	Fairaizen	D6/381
D273,254 S *	4/1984	Fairaizen	D6/335
D443,989 S *	6/2001	Gomez	D6/335
D444,305 S *	7/2001	Mourgue	D6/335
D446,962 S *	8/2001	Mourgue	D6/381
D455,282 S *	4/2002	Andersen et al.	D6/381
D498,075 S *	11/2004	Mourgue	D6/381

(Continued)

Primary Examiner—Sandra Snapp

(74) Attorney, Agent, or Firm—Miles & Stockbridge P.C.;
James T. Carmichael; Michael A. Minter

(57) **CLAIM**

The ornamental design for a sofa, as shown and described.

DESCRIPTION

FIG. 1 is a front left perspective view of the sofa in a reclined position;

FIG. 2 is a front right perspective view thereof;

FIG. 3 is a front view thereof;

FIG. 4 is a rear view thereof;

FIG. 5 is a left view thereof;

FIG. 6 is a right view thereof;

FIG. 7 is a top view thereof;

FIG. 8 is a bottom view thereof;

FIG. 9 is a front left perspective view of the sofa in a partially reclined position:

FIG. 10 is a front right perspective view thereof;

FIG. 11 is a front view thereof;

FIG. 12 is a rear view thereof;

FIG. 13 is a left view thereof;

FIG. 14 is a right view thereof;

FIG. 15 is a top view thereof;

FIG. 16 is a bottom view thereof;

FIG. 17 is a front left perspective view of the sofa in an upright position;

FIG. 18 is a front right perspective view thereof;

FIG. 19 is a front view thereof;

FIG. 20 is a rear view thereof;

FIG. 21 is a left view thereof;

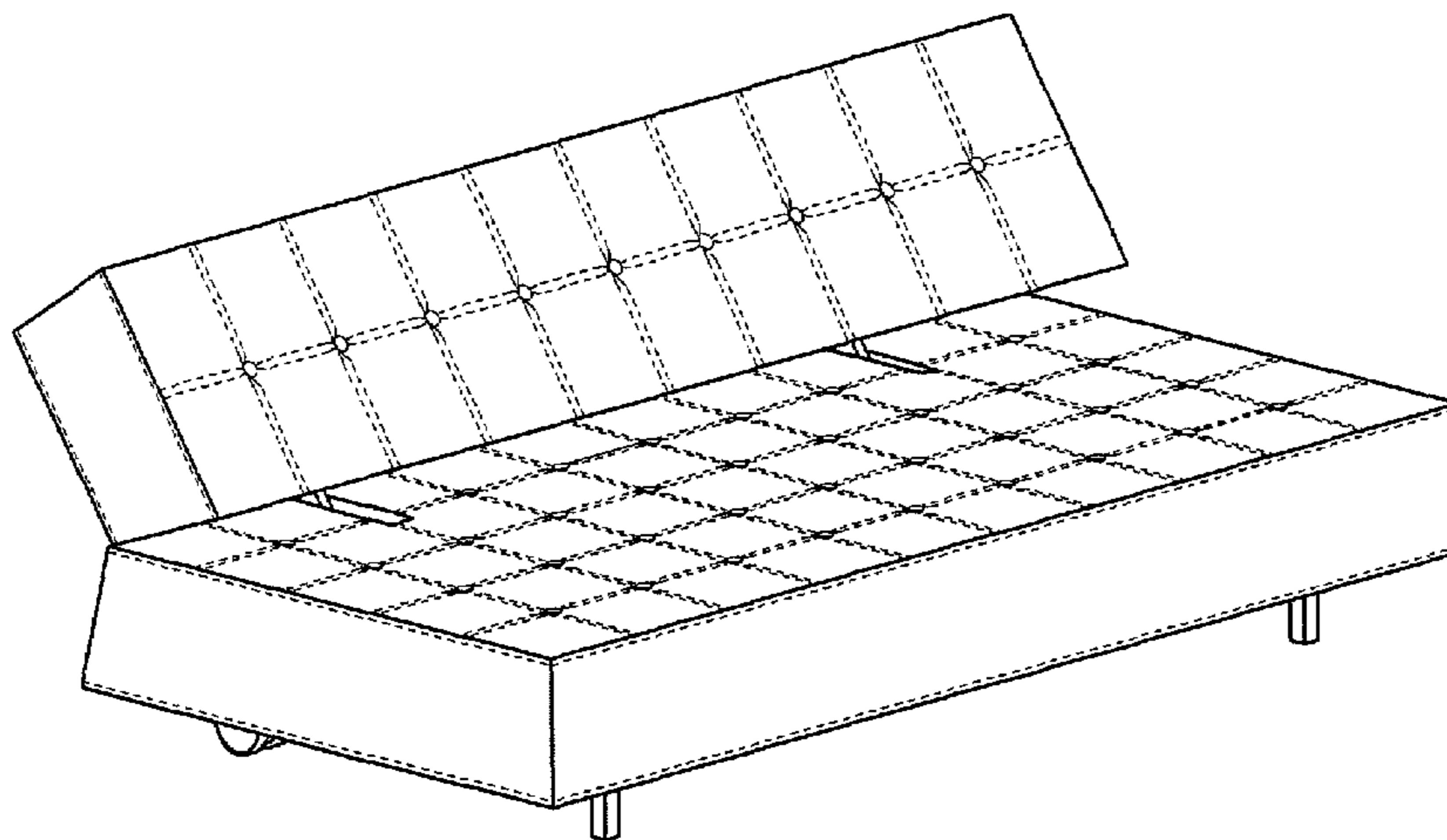
FIG. 22 is a right view thereof;

FIG. 23 is a top view thereof; and,

FIG. 24 is a bottom view thereof.

The dashed lines in the drawings represent stitching.

1 Claim, 18 Drawing Sheets



US D615,766 S

Page 2

U.S. PATENT DOCUMENTS

D520,260 S *	5/2006	Natuzzi	D6/381	D591,970 S *	5/2009	Weiss	D6/381
D566,980 S *	4/2008	Mourgue	D6/381	D592,416 S *	5/2009	Weiss	D6/381
D569,123 S *	5/2008	Roos et al.	D6/381	D603,617 S *	11/2009	Weiss	D6/381
D575,963 S *	9/2008	Gomez	D6/381	D603,618 S *	11/2009	Weiss	D6/381
D583,585 S *	12/2008	Weiss	D6/381	D603,619 S *	11/2009	Weiss	D6/381
D591,071 S *	4/2009	Weiss	D6/381	D604,957 S *	12/2009	Weiss	D6/381

* cited by examiner

FIG. 1

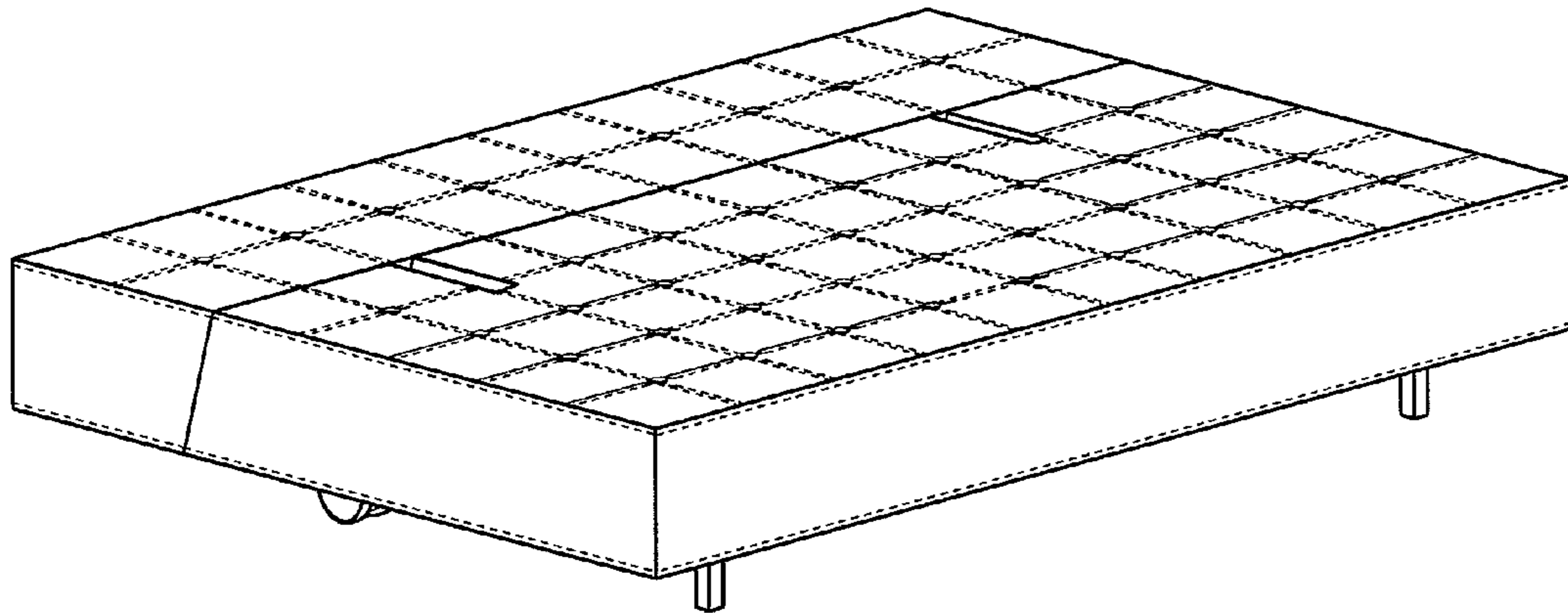


FIG. 2

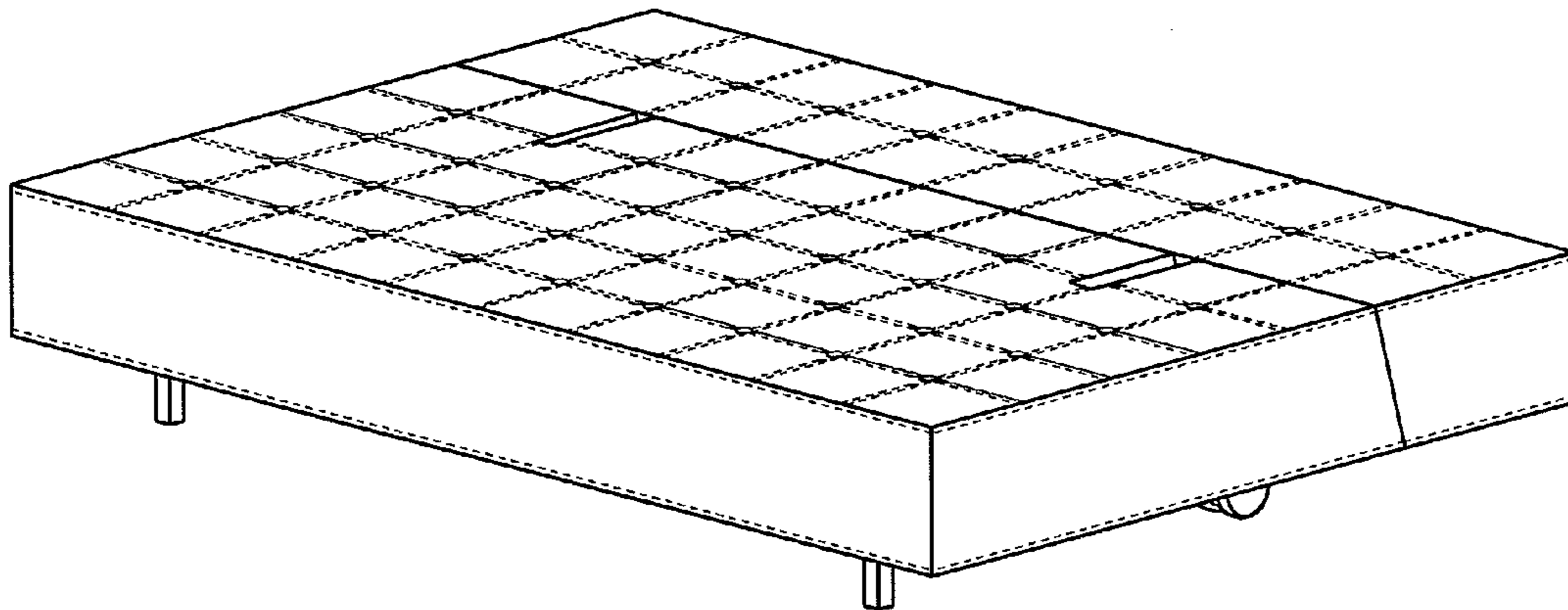


FIG. 3

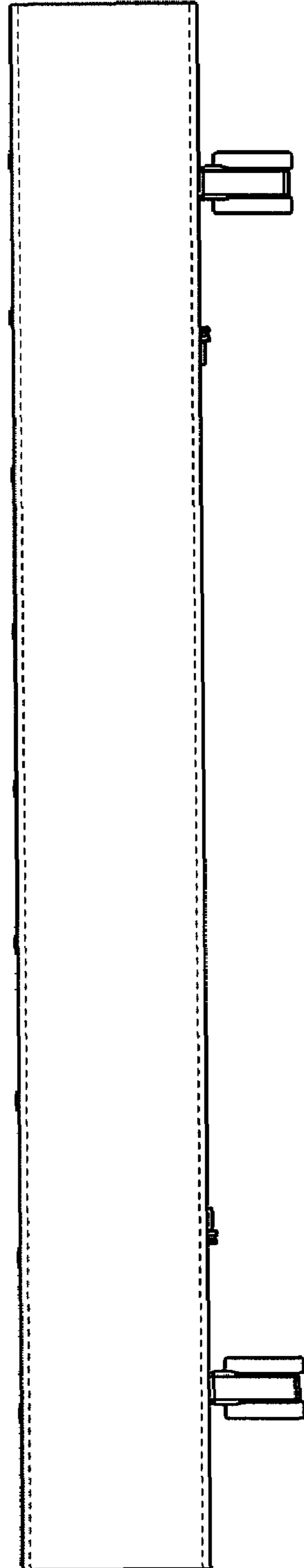


FIG. 4

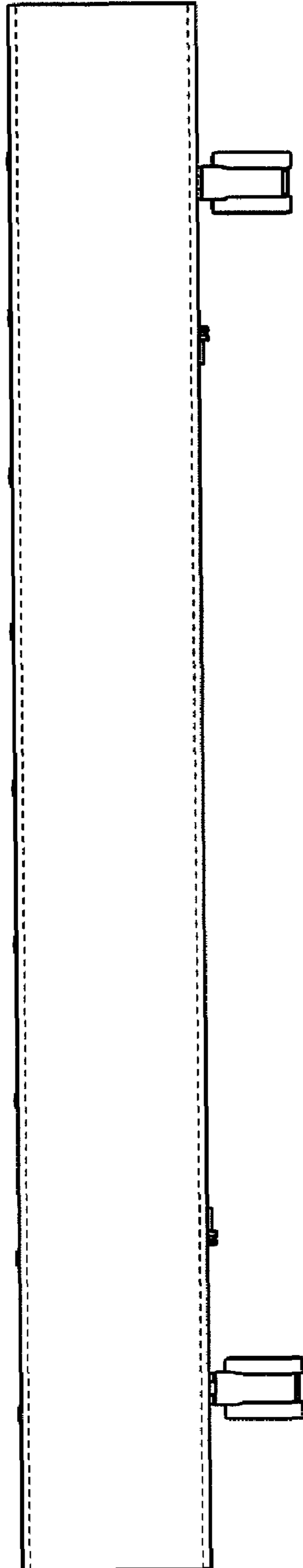


FIG. 5

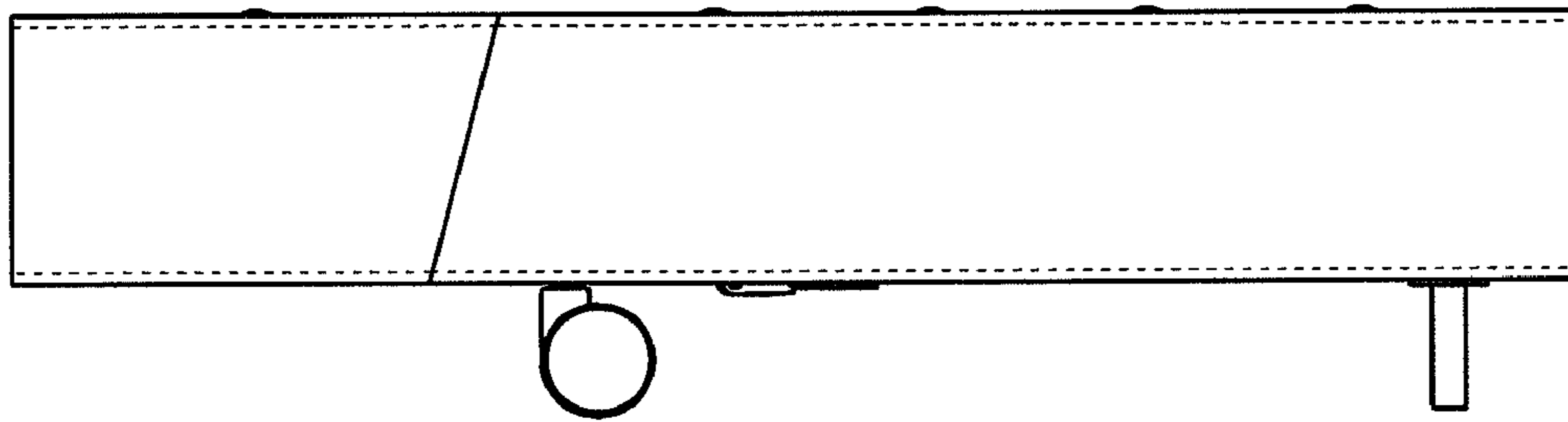


FIG. 6

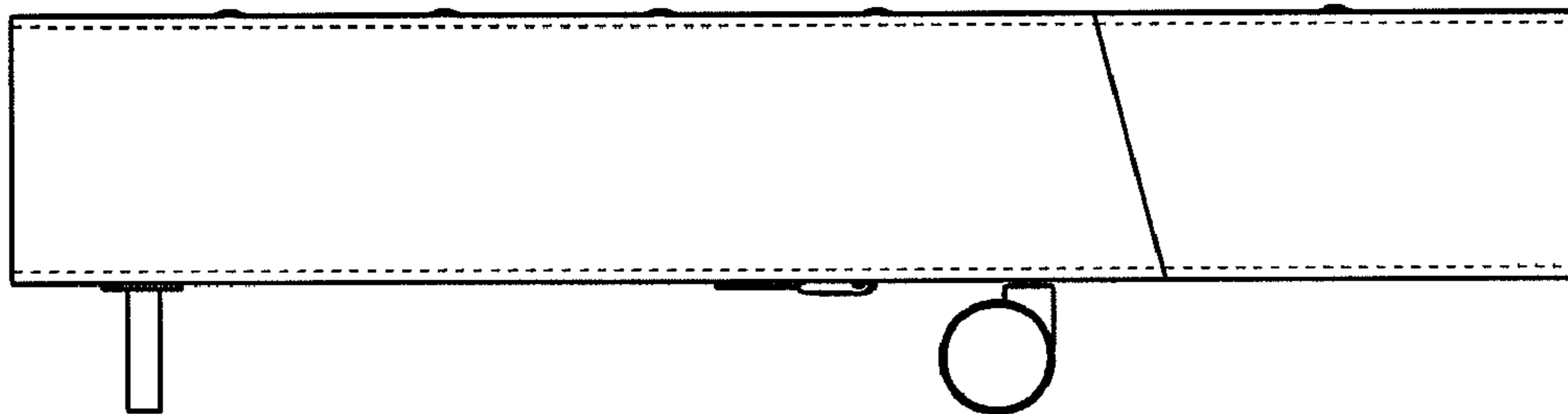


FIG. 7

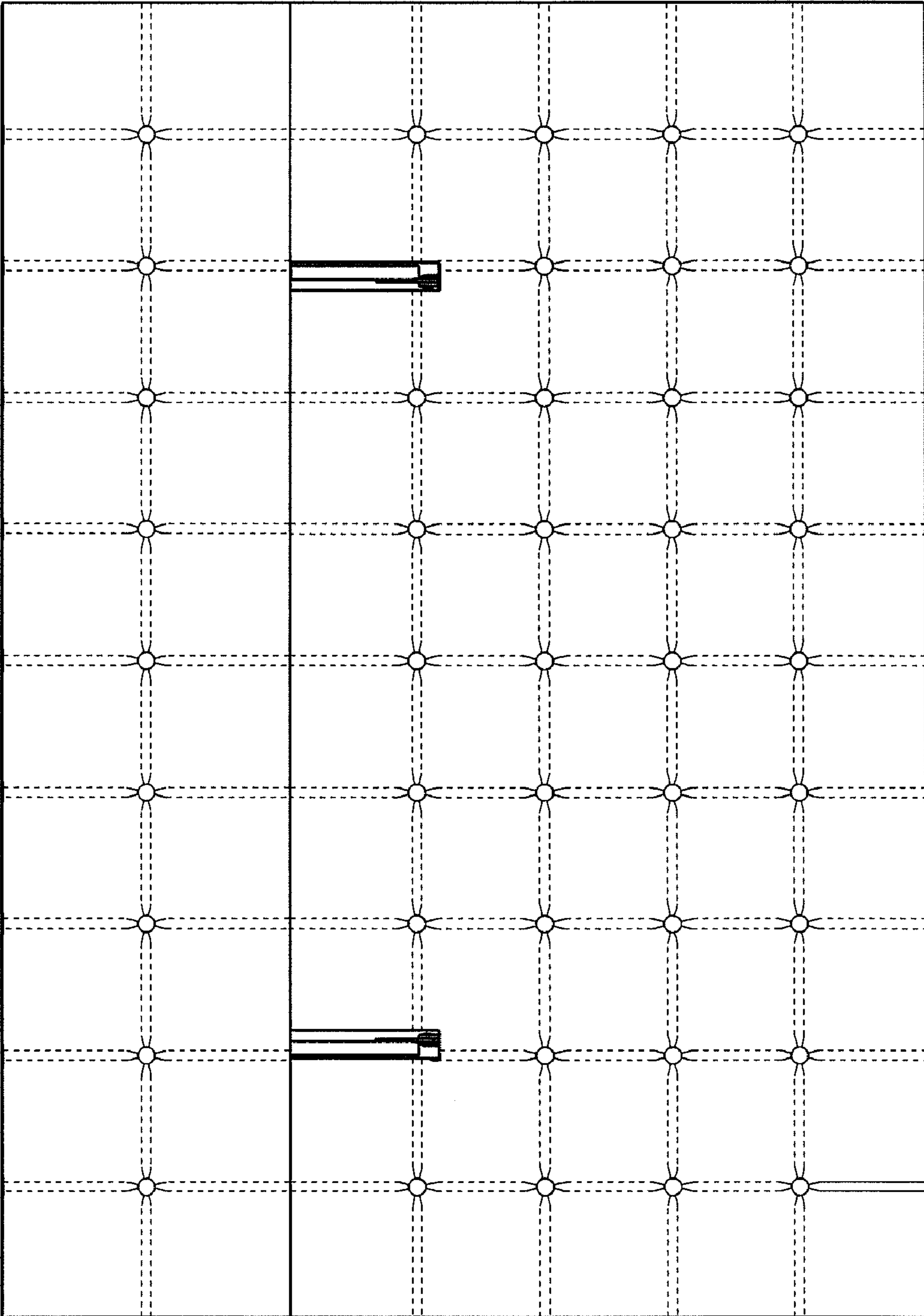


FIG. 8

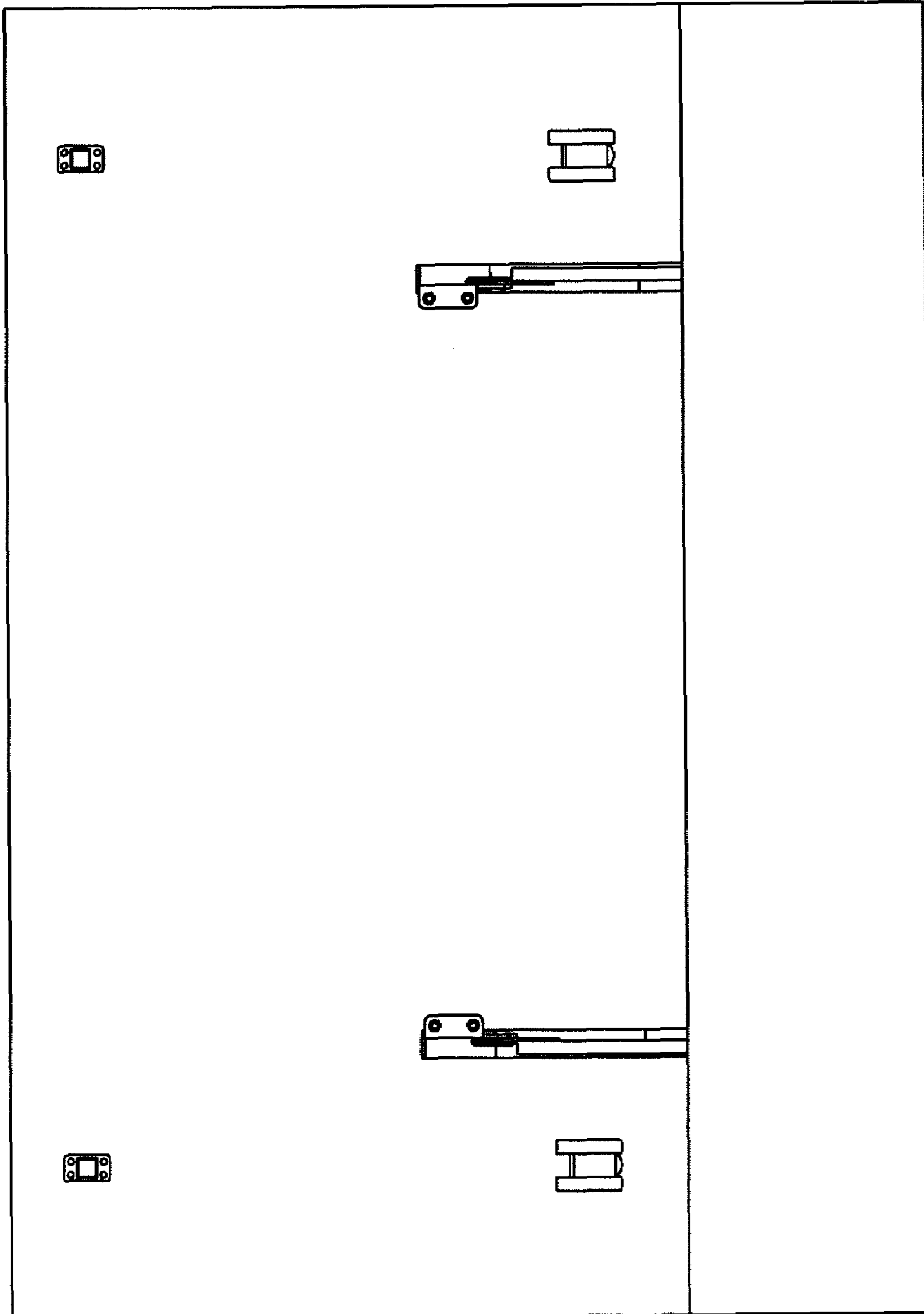


FIG. 9

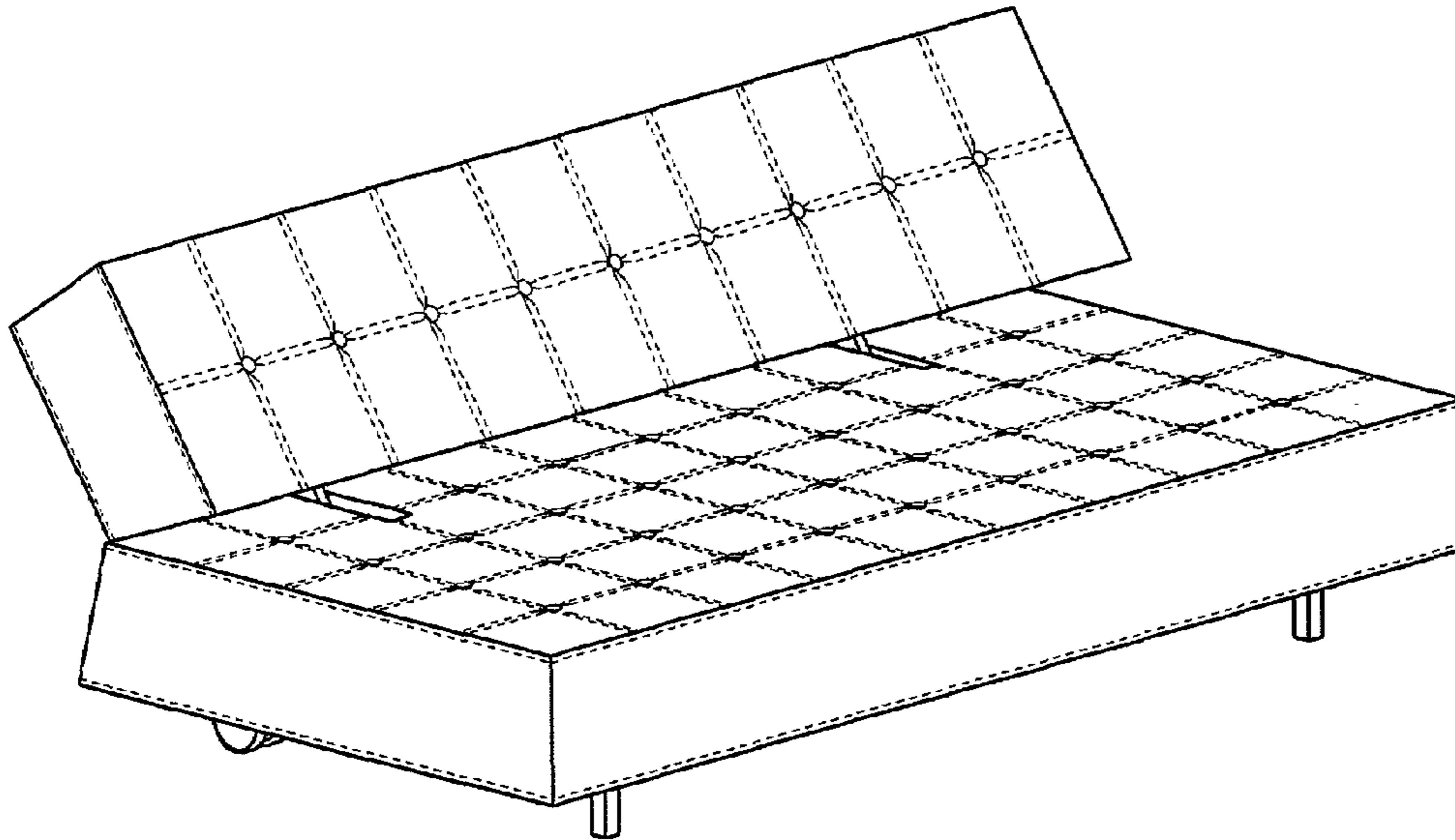


FIG. 10

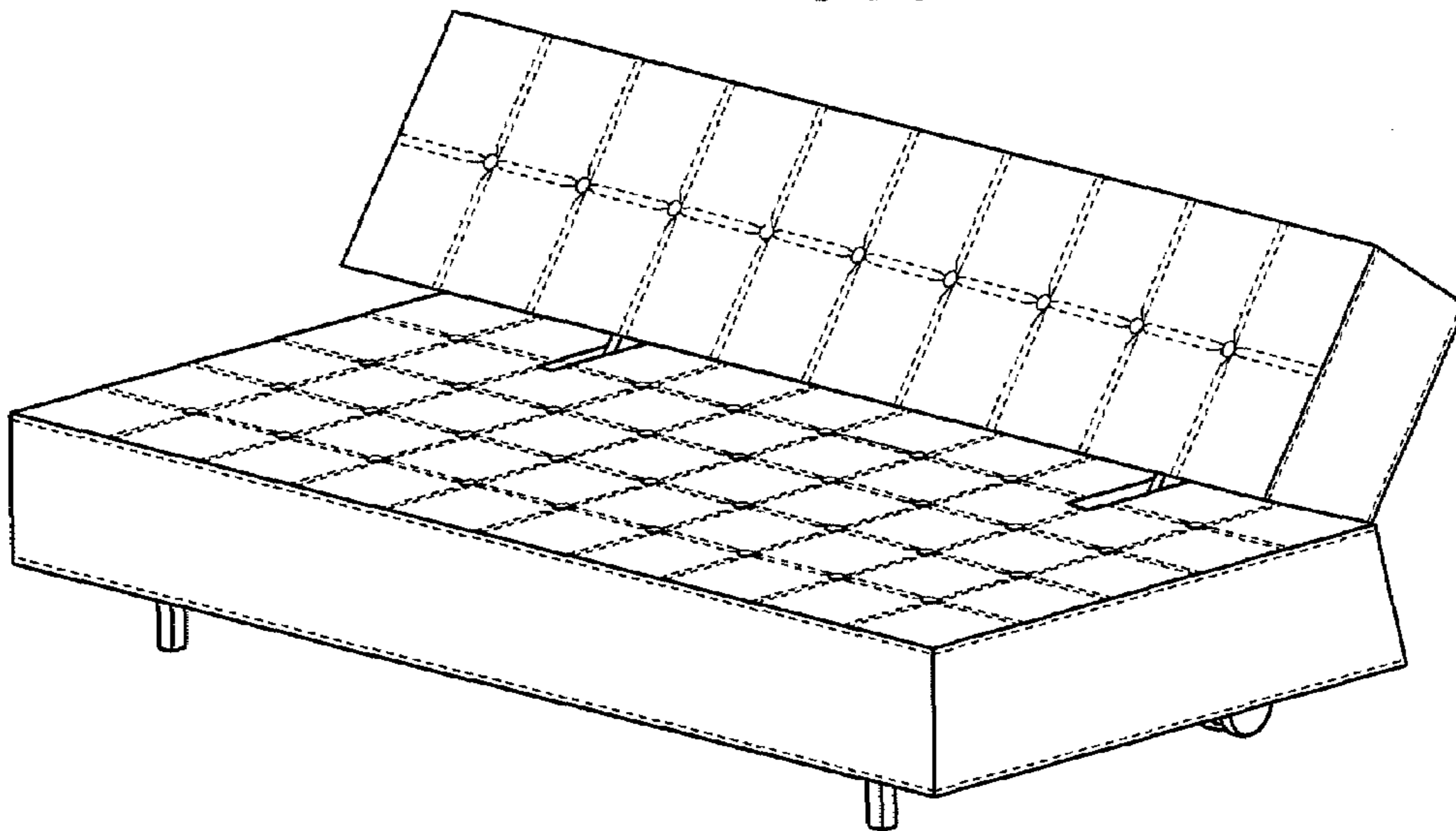


FIG. 11

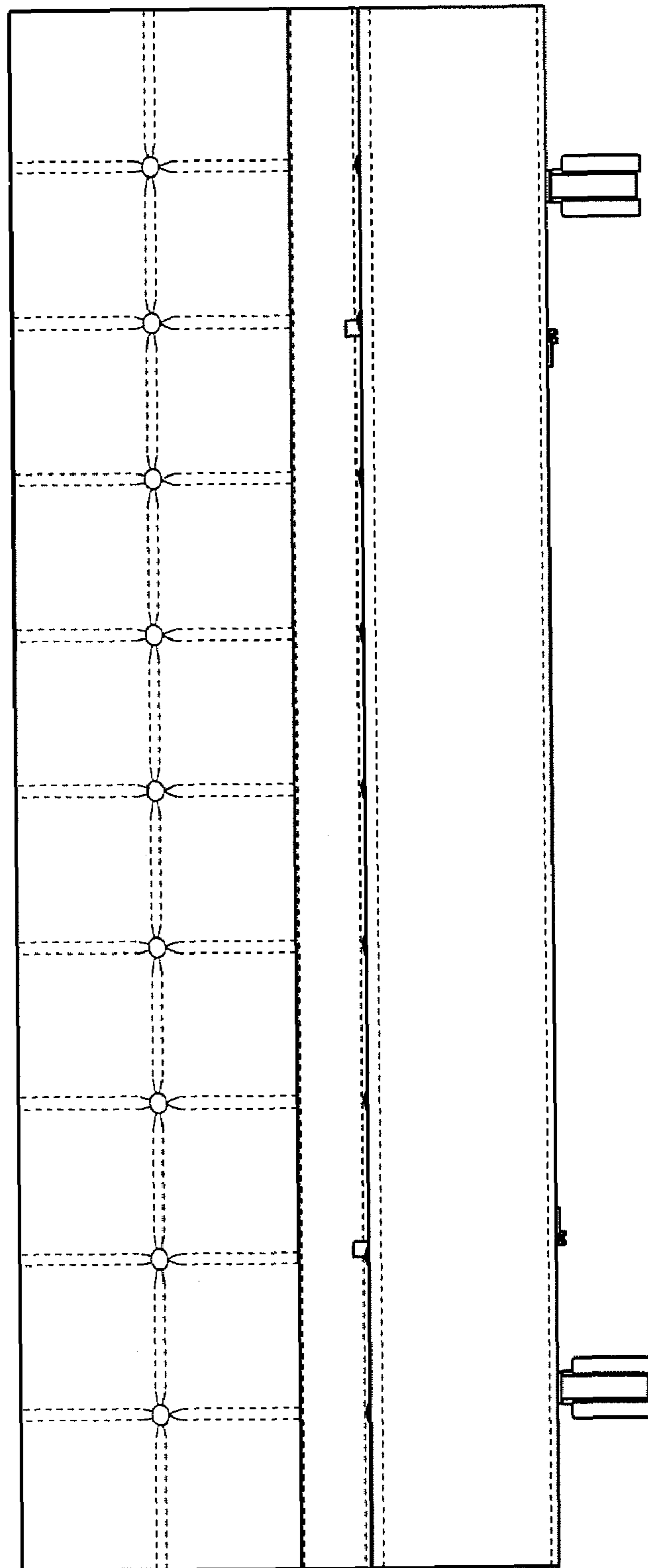


FIG. 12

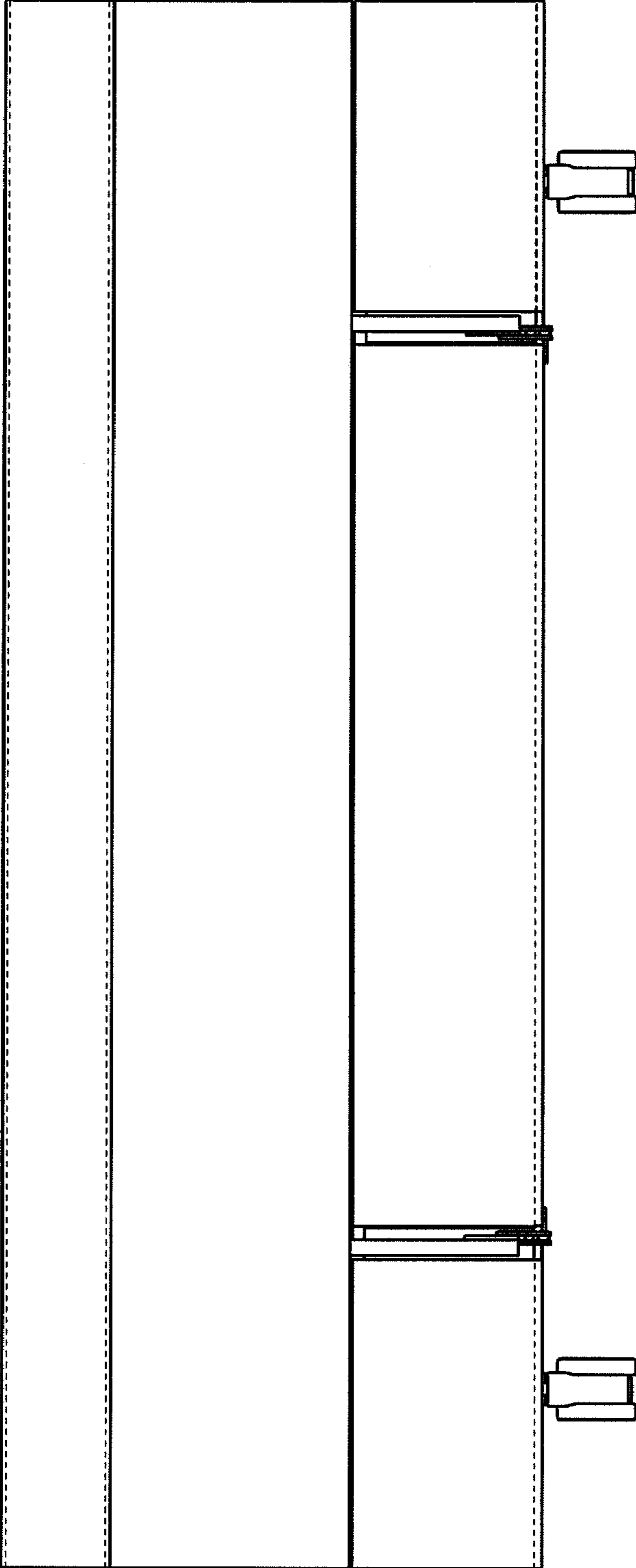


FIG. 13

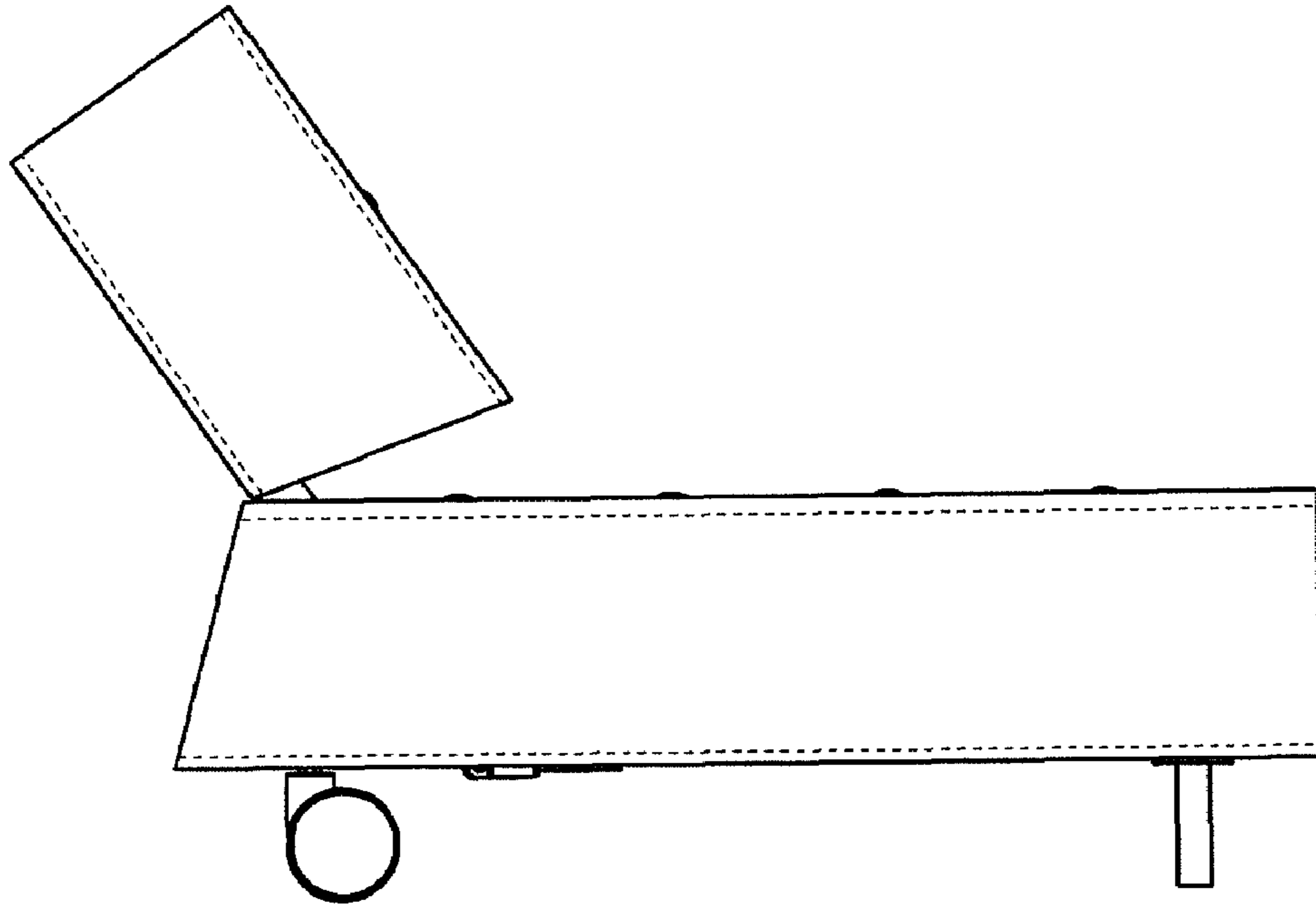


FIG. 14

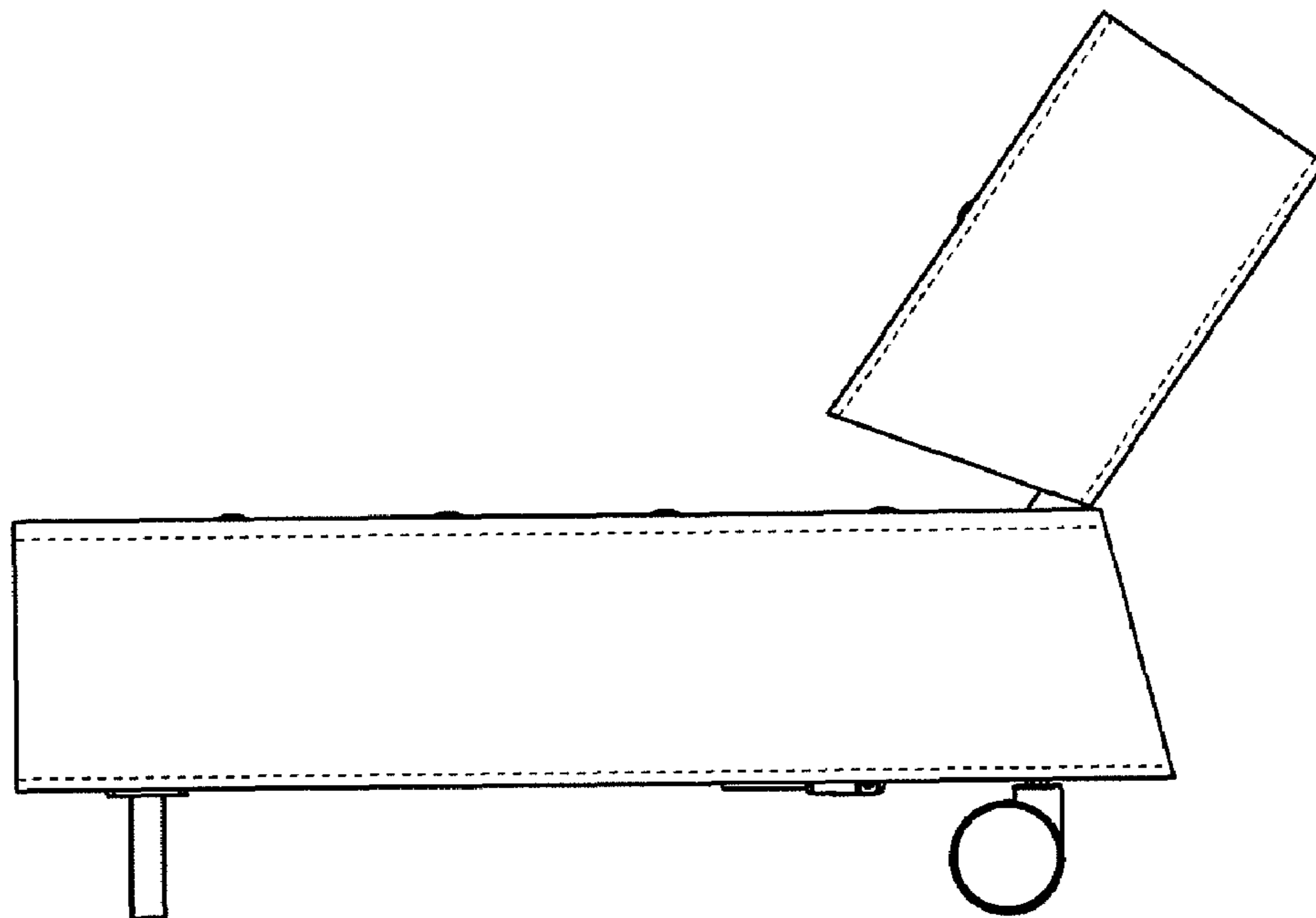


FIG. 15

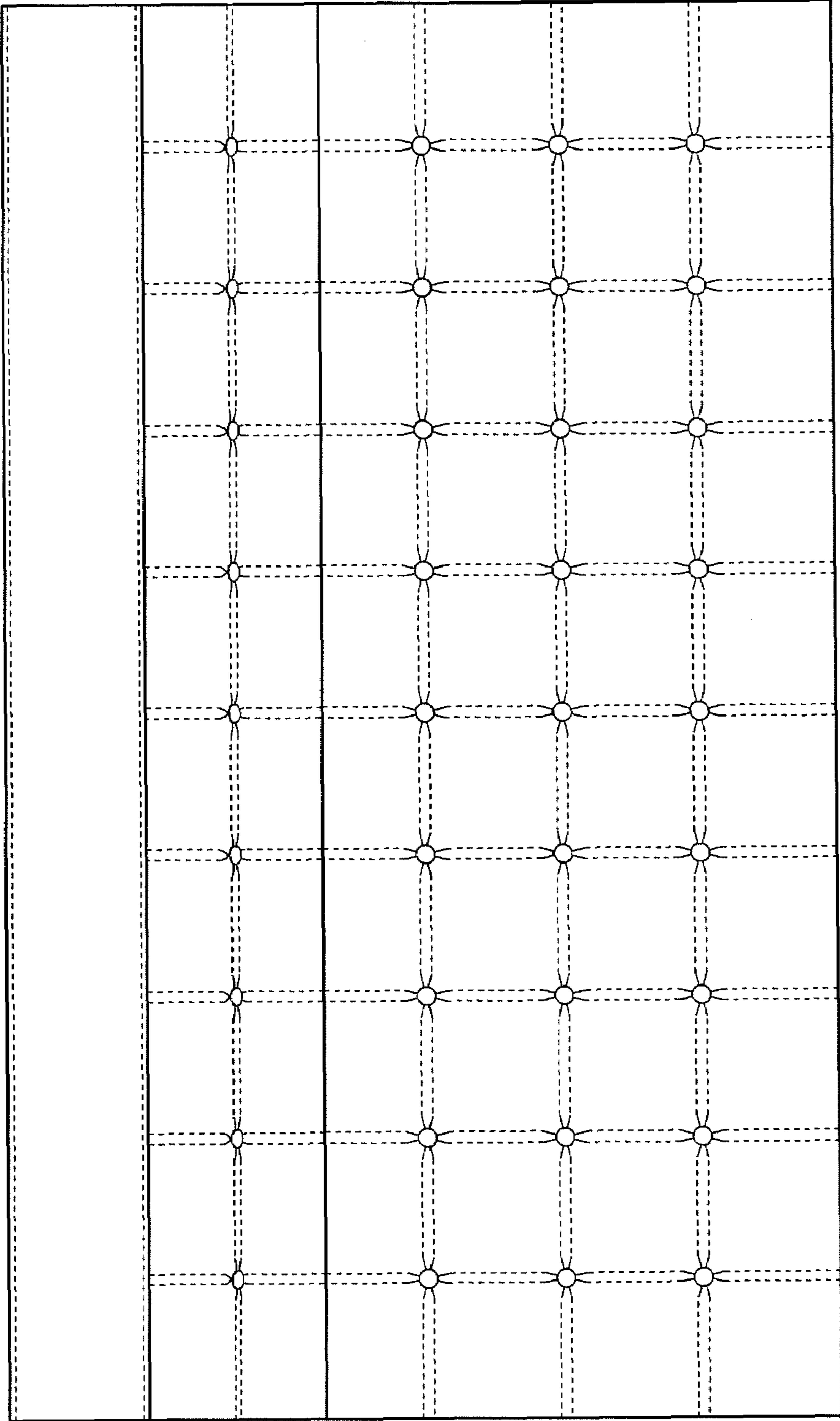


FIG. 16

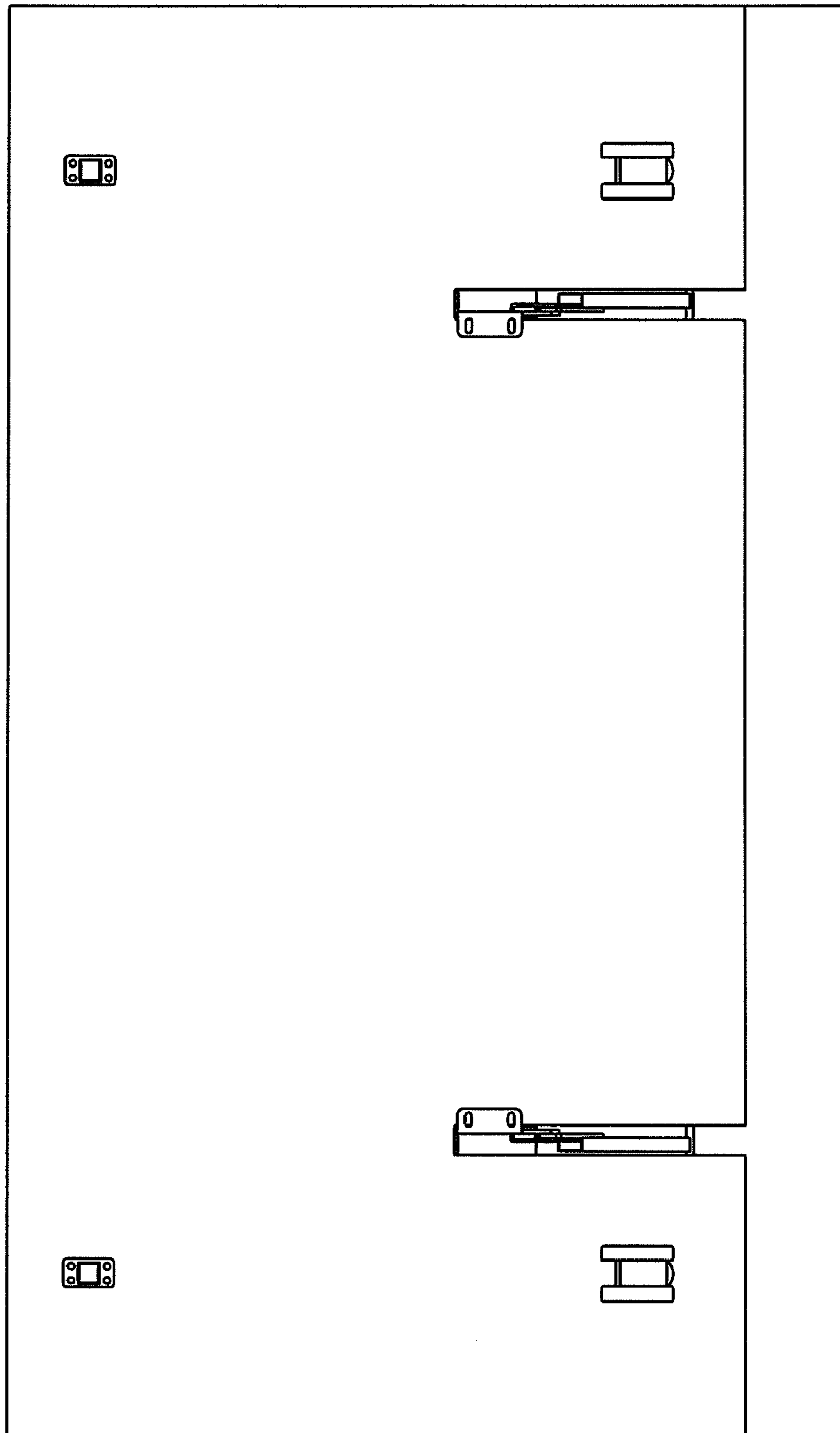


FIG. 17

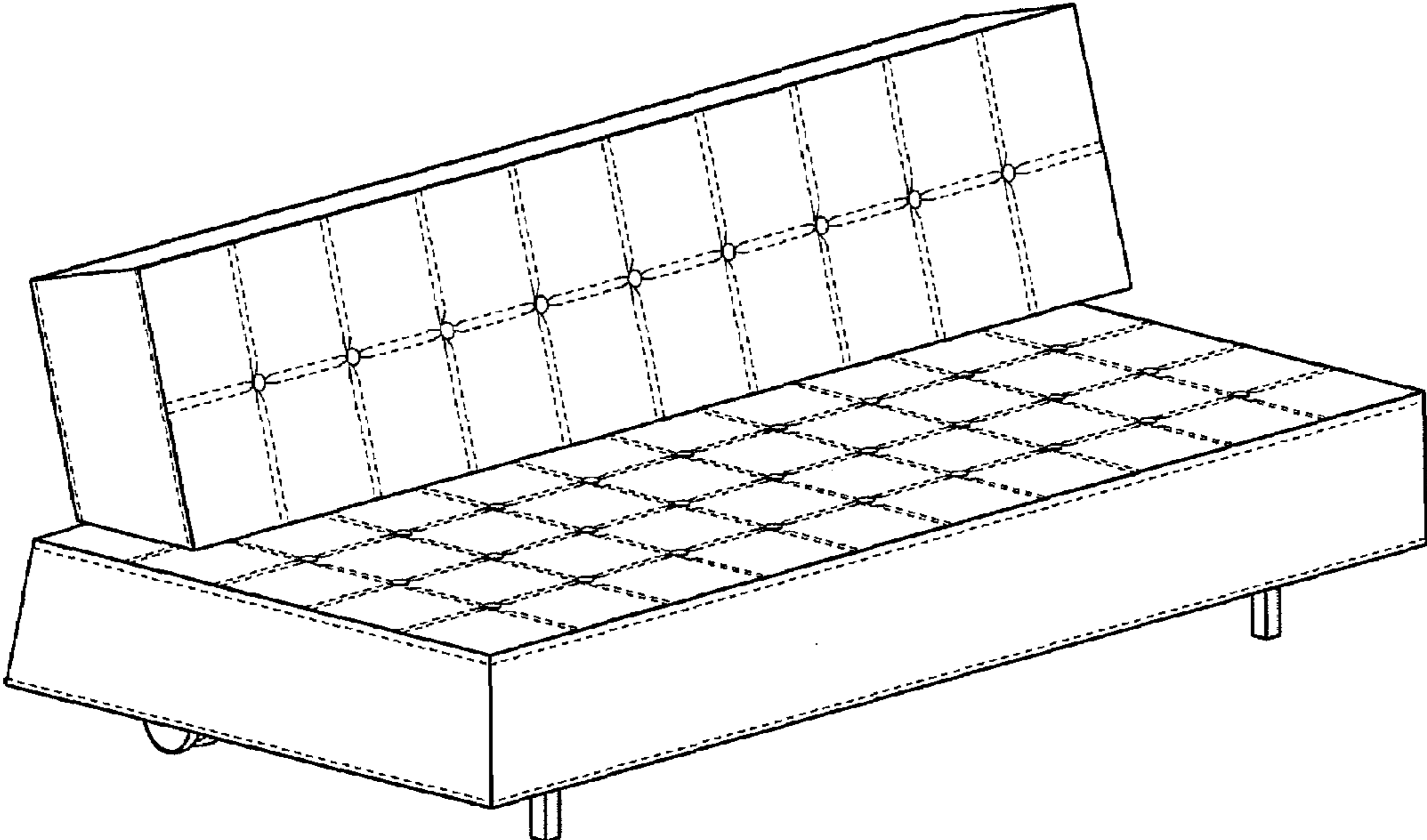


FIG. 18

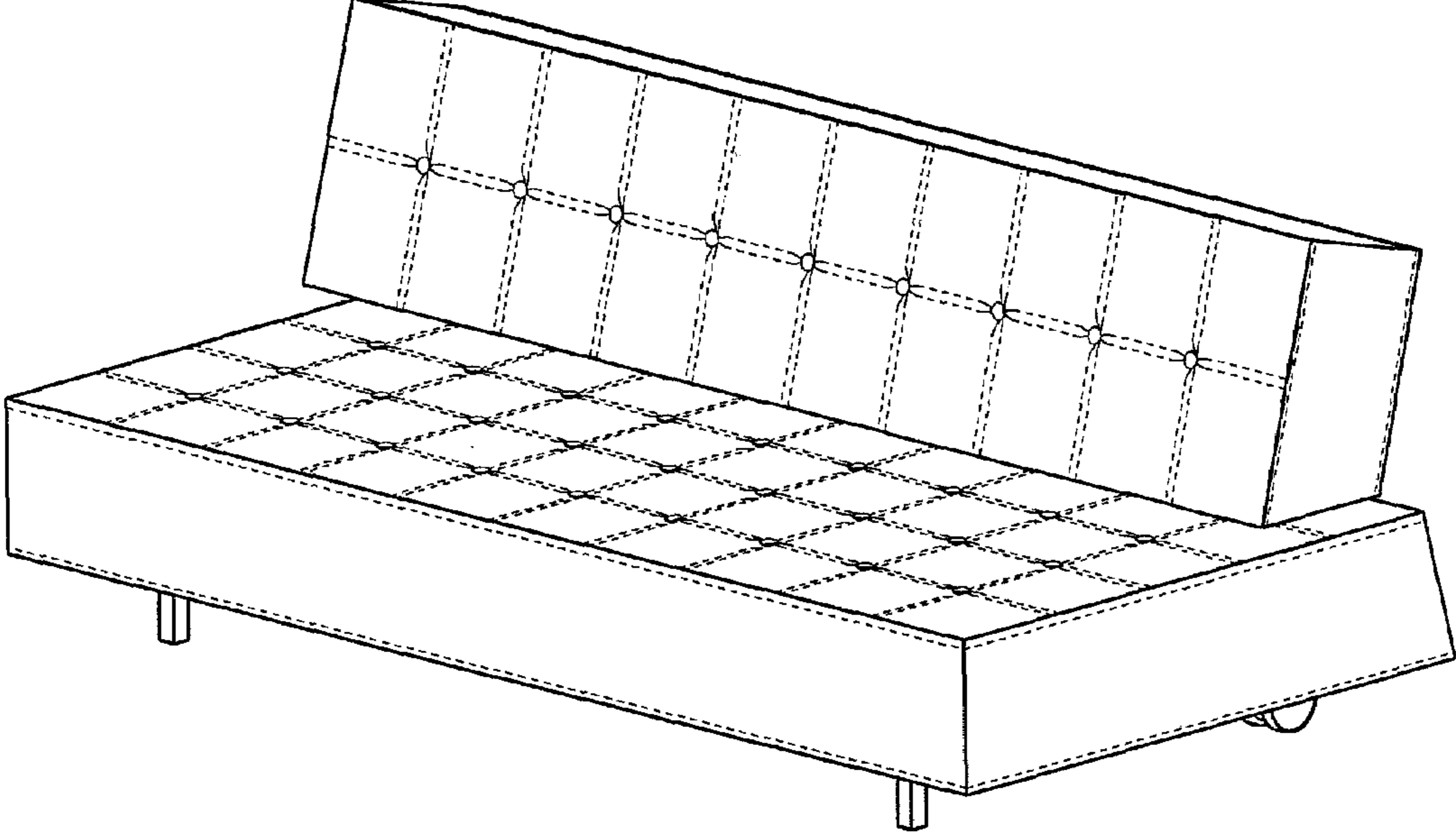


FIG. 19

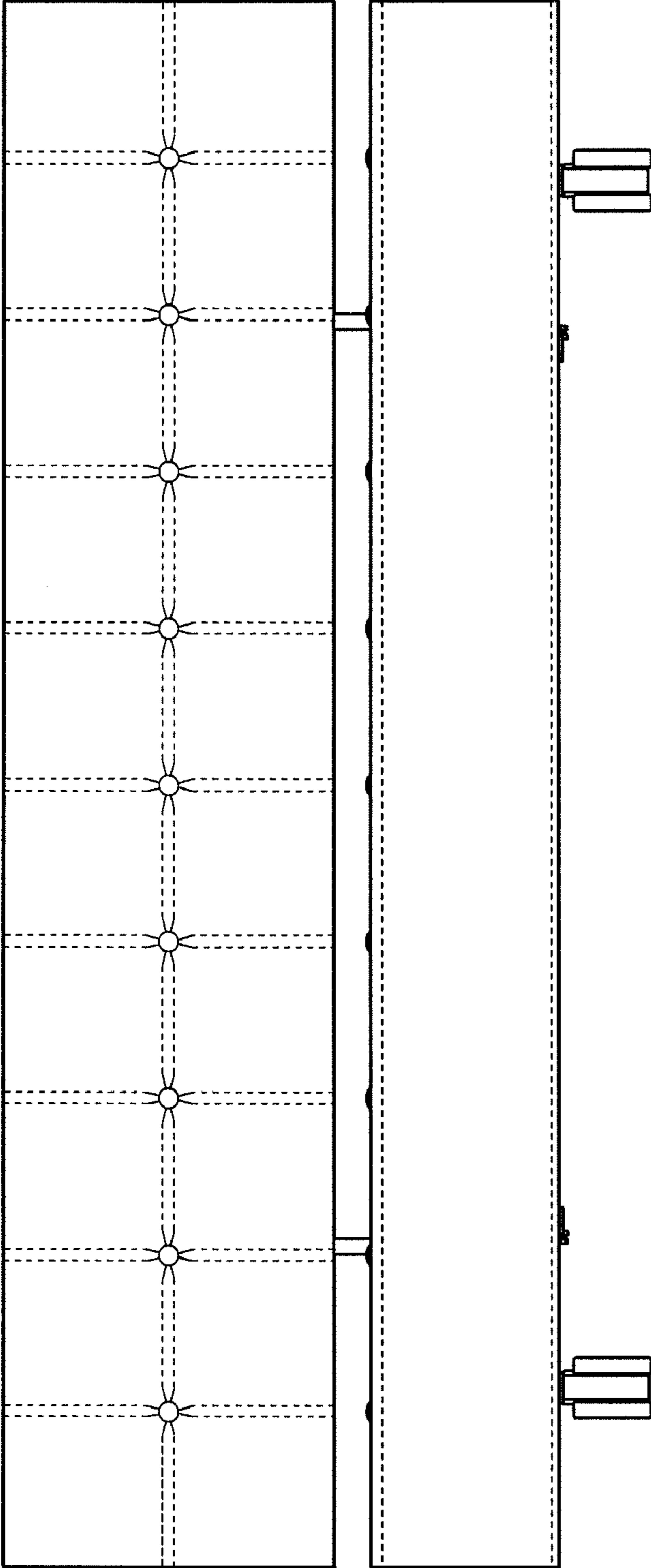


FIG. 20

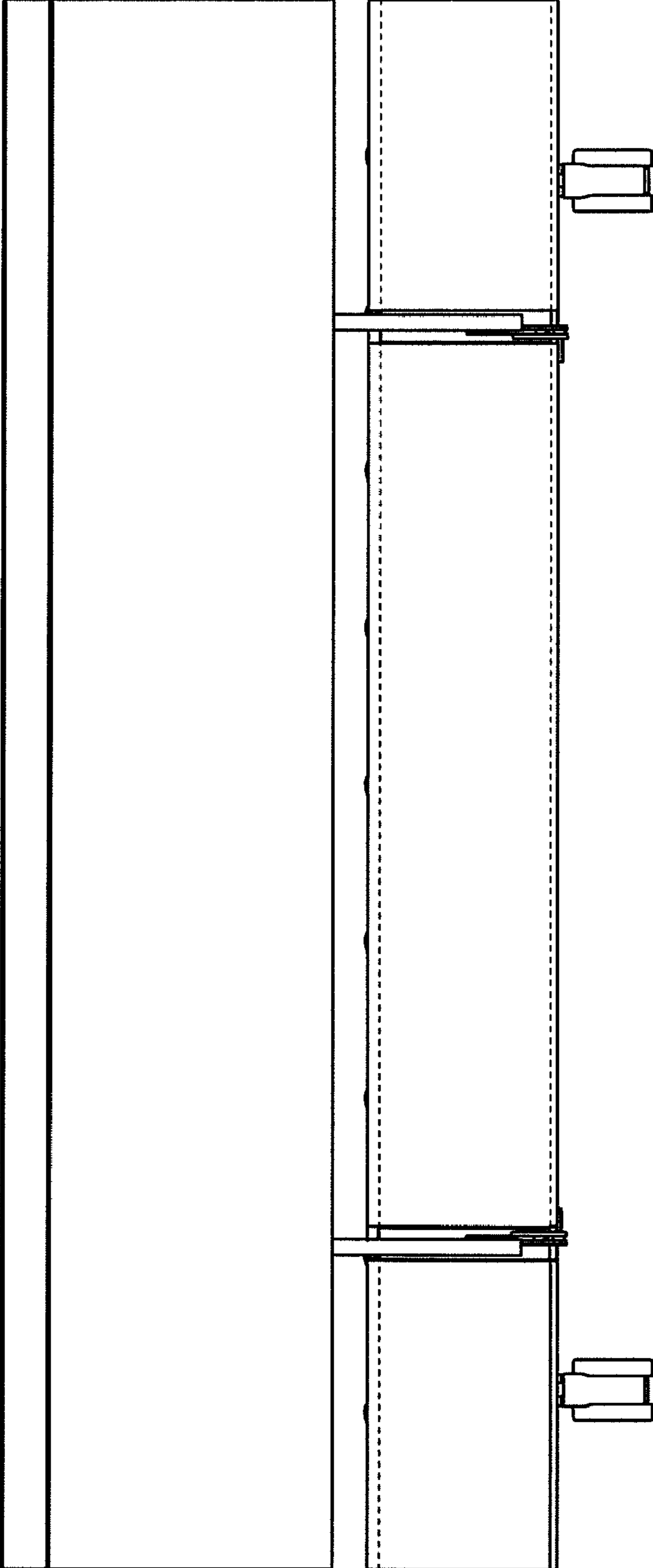


FIG. 21

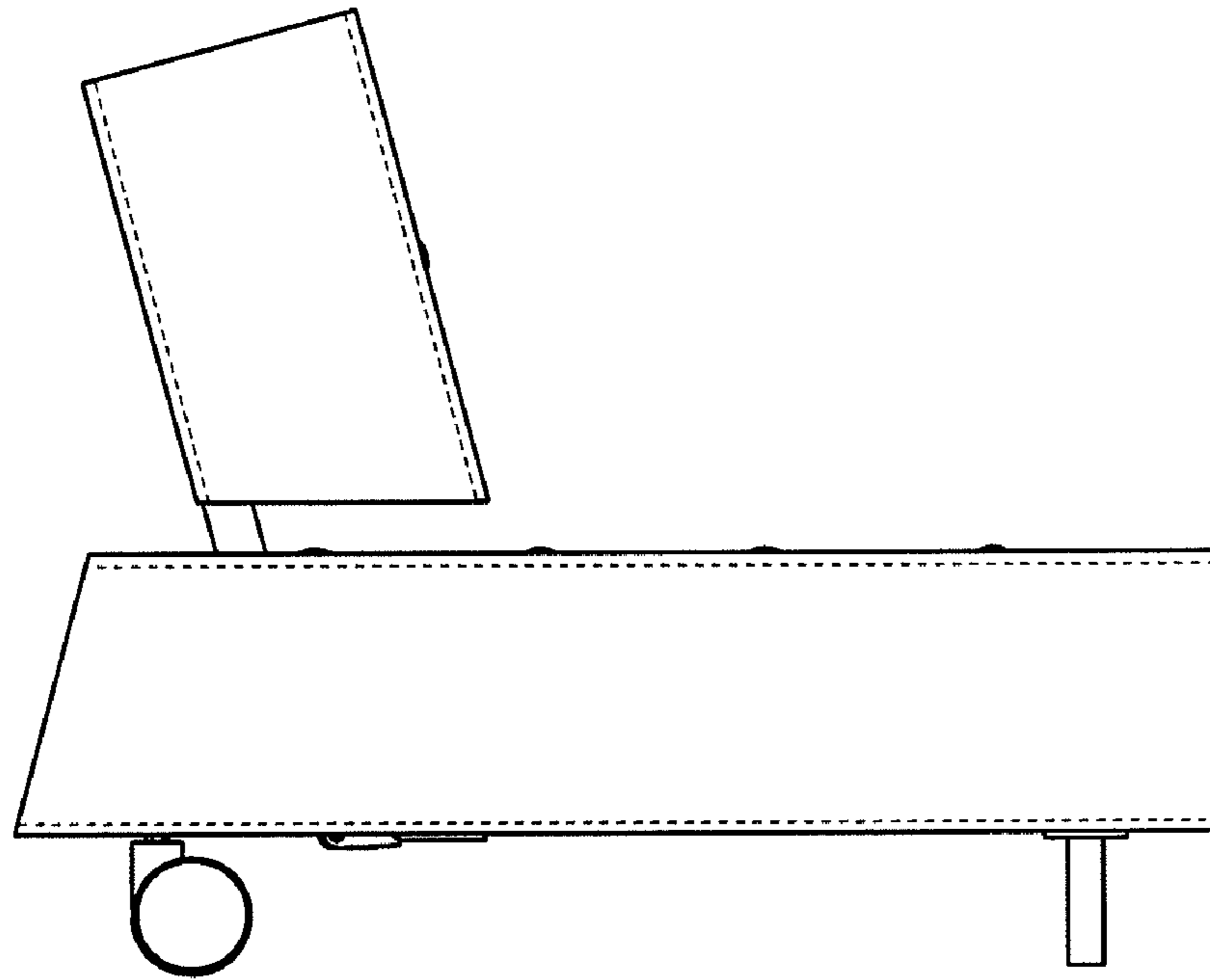


FIG. 22

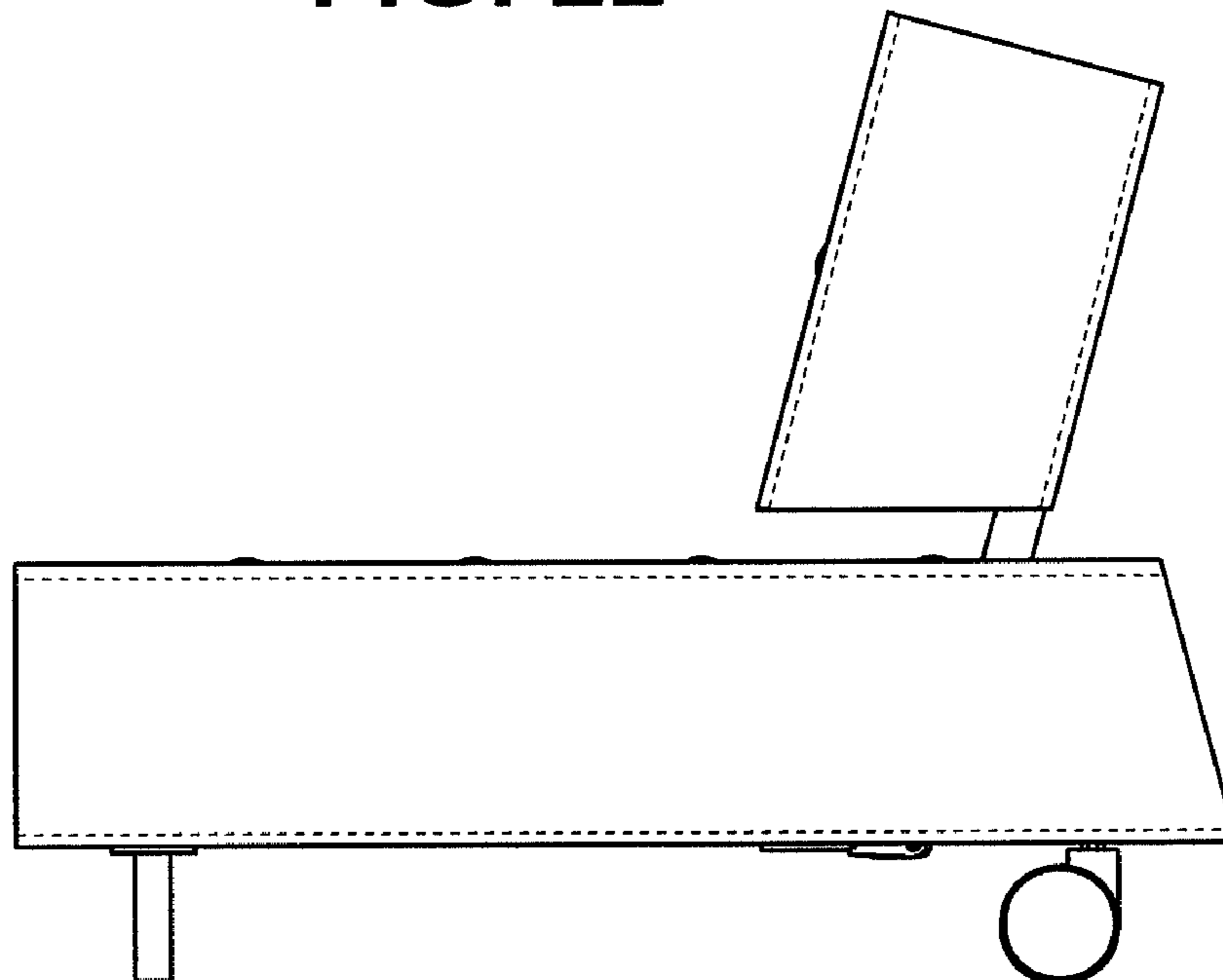


FIG. 23

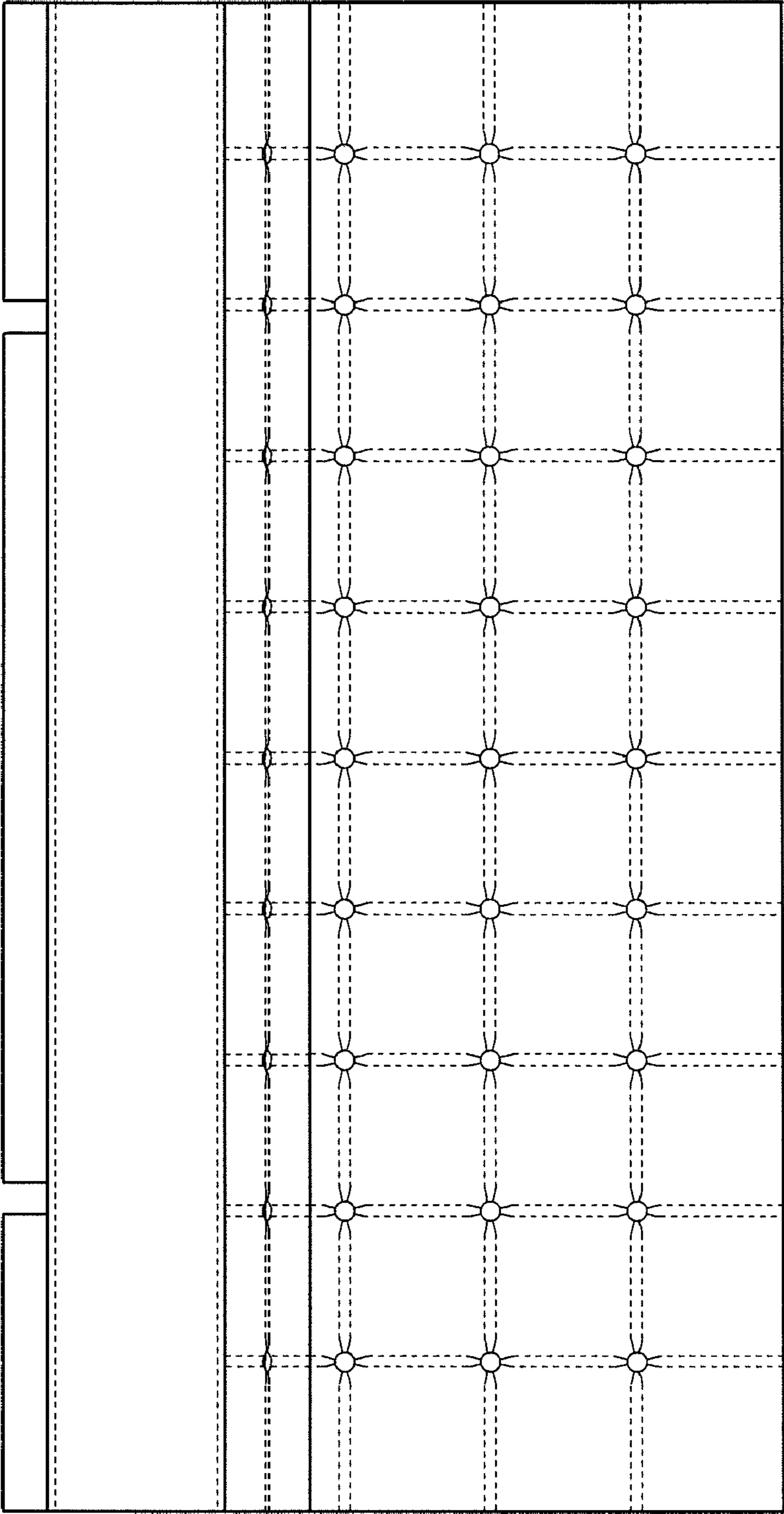


FIG. 24

