



US00D615765S

(12) **United States Design Patent**
Chan

(10) **Patent No.:** **US D615,765 S**
(45) **Date of Patent:** **** May 18, 2010**

(54) **BENCH**

(75) Inventor: **Eric Ping Pang Chan**, New York, NY
(US)

(73) Assignee: **RPI Designs, Inc.**, Marlette, MI (US)

(**) Term: **14 Years**

(21) Appl. No.: **29/326,200**

(22) Filed: **Oct. 14, 2008**

(51) **LOC (9) Cl.** **06-01**

(52) **U.S. Cl.** **D6/381**

(58) **Field of Classification Search** D6/334,
D6/349, 355, 359, 369, 370, 371, 381-383,
D6/491, 492, 500-503; 297/94, 181, 233,
297/234, 235, 283.2, 311, 351, 353, 354.1,
297/354.12, 354.13, 445.1, 451.1, 451.8,
297/451.9; 5/12.1, 12.2

See application file for complete search history.

(56) **References Cited**

U.S. PATENT DOCUMENTS

D313,128 S	*	12/1990	Serafini	D6/338
D314,677 S	*	2/1991	Hanna	D6/381
D327,584 S	*	7/1992	Braxton, III	D6/347
D336,796 S	*	6/1993	Chang	D6/370
D361,901 S	*	9/1995	Szekely	D6/370
D365,693 S	*	1/1996	Jones	D6/349
D365,937 S	*	1/1996	Skalka	D6/370
D370,570 S	*	6/1996	Green et al.	D6/370
D382,514 S	*	8/1997	Hysek	D11/218
D386,012 S	*	11/1997	Skalka	D6/370
D424,315 S	*	5/2000	Jeng	D6/370
D446,399 S	*	8/2001	Slear	D6/370
D453,424 S	*	2/2002	Stewart	D6/349
D465,936 S	*	11/2002	Arnold	D6/349
D473,391 S	*	4/2003	Haney et al.	D6/370

D503,552 S	*	4/2005	Messier	D6/349
D505,559 S	*	5/2005	Sun	D6/349
D562,035 S	*	2/2008	Pappas	D6/495
D578,783 S	*	10/2008	Skalka	D6/355
D579,227 S	*	10/2008	Skalka	D6/381
D579,684 S	*	11/2008	Skalka	D6/381
D581,188 S	*	11/2008	Skalka	D6/480
D585,209 S	*	1/2009	Skalka	D6/381
D586,144 S	*	2/2009	Skalka	D6/381
D595,973 S	*	7/2009	Skalka	D6/381
D599,570 S	*	9/2009	Skalka	D6/355
D601,823 S	*	10/2009	Skalka	D6/381

* cited by examiner

Primary Examiner—Sandra Snapp

(74) *Attorney, Agent, or Firm*—Price, Heneveld, Cooper,
DeWitt & Litton, LLP

(57) **CLAIM**

I claim the ornamental design for the bench, as shown and described.

DESCRIPTION

FIG. 1 is a front perspective view of a bench of the present invention;

FIG. 2 is a front view thereof, the rear view being a mirror image thereof;

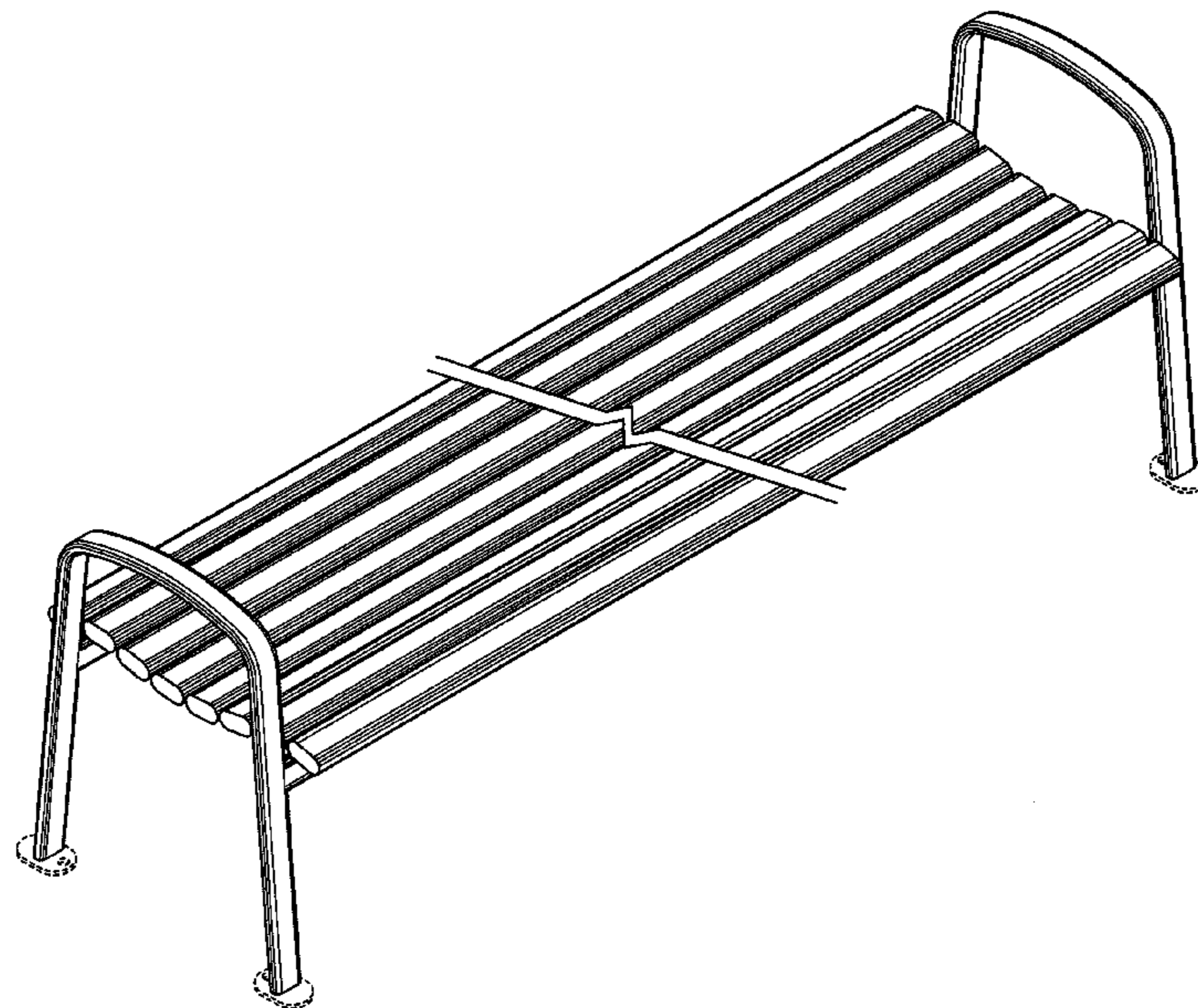
FIG. 3 is a left side view thereof, the right side view being a mirror image thereof;

FIG. 4 is a top view thereof; and,

FIG. 5 is a bottom view thereof.

The broken lines in FIGS. 1-5 are to show the environment of the present invention, and do not form any part of the claimed design. The broken-away portion of the drawings is intended to show indeterminate length.

1 Claim, 5 Drawing Sheets



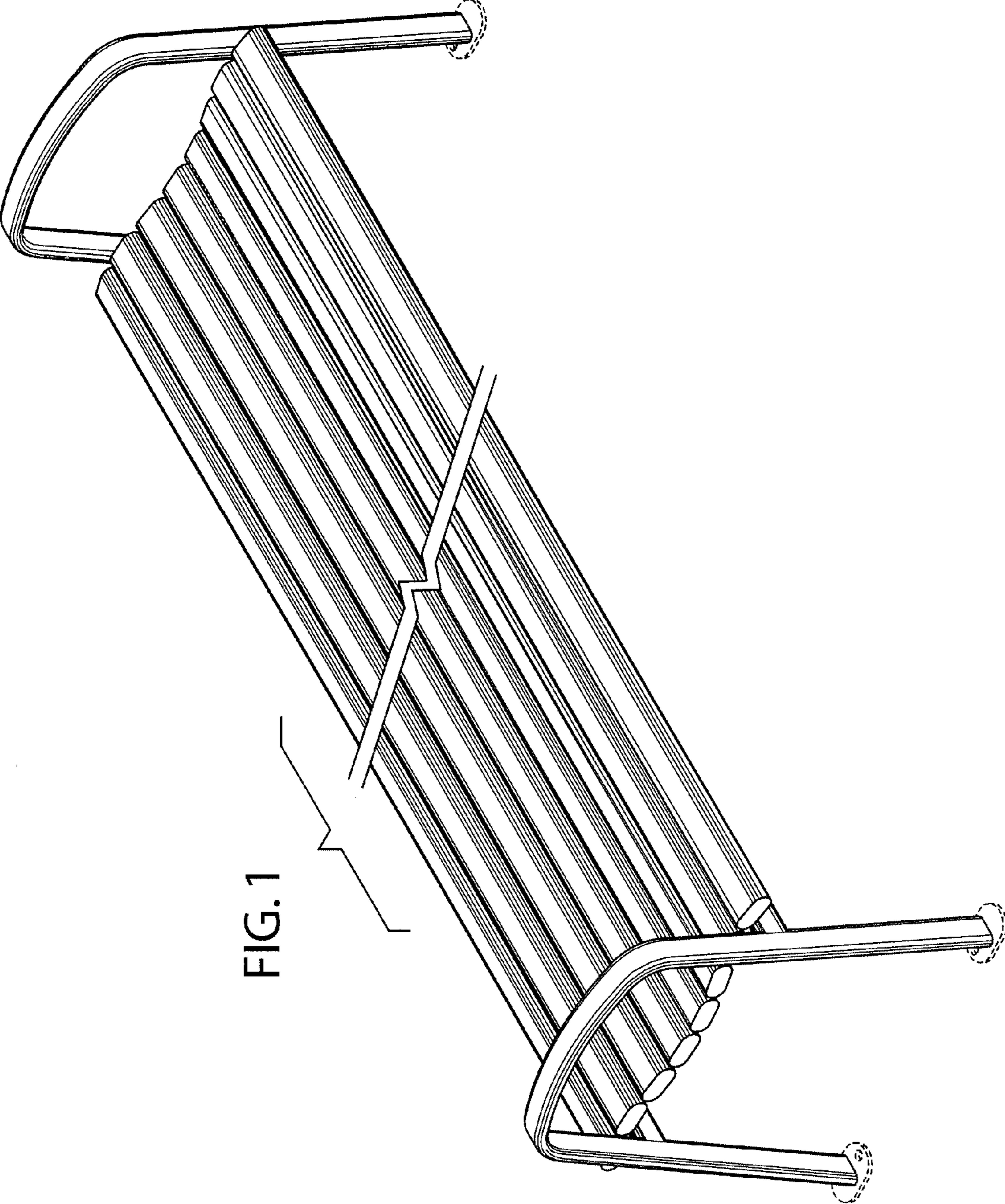


FIG. 1

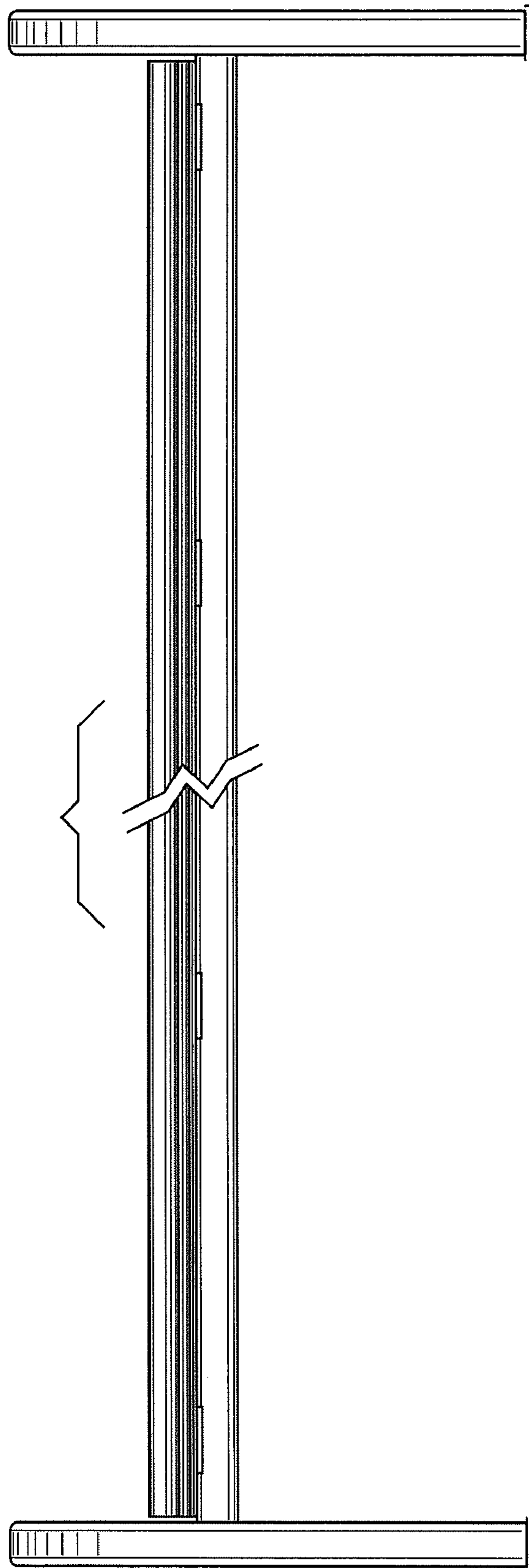


FIG. 2

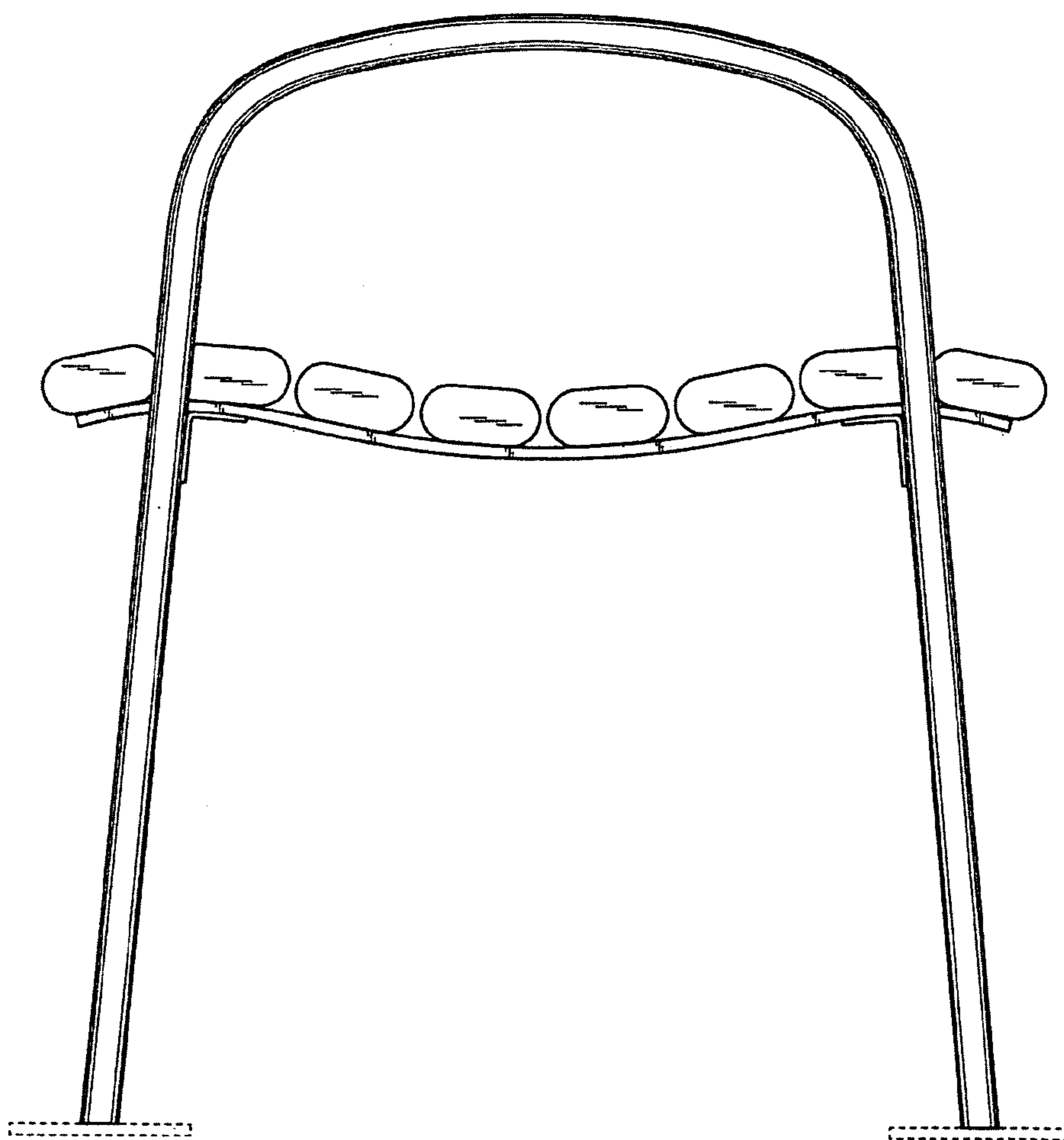


FIG. 3

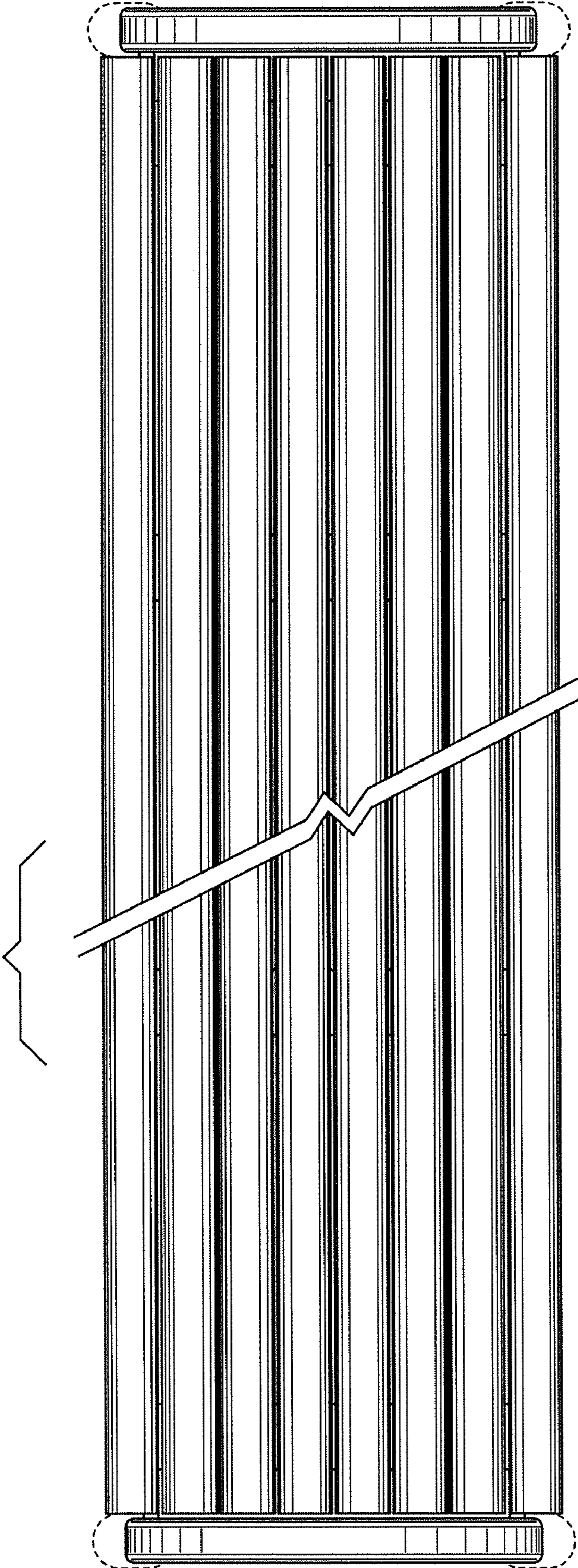


FIG. 4

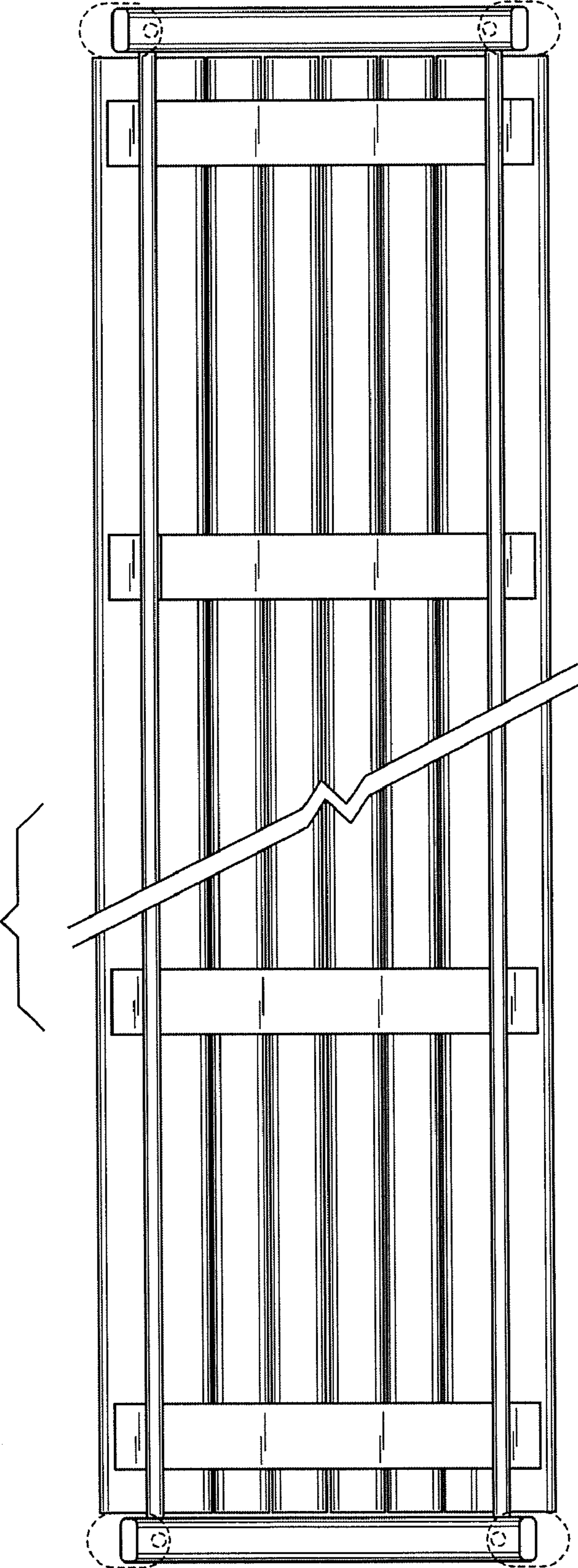


FIG. 5