



US00D615763S

(12) **United States Design Patent**  
**Radelet et al.**

(10) **Patent No.:** **US D615,763 S**  
(45) **Date of Patent:** **\*\* May 18, 2010**

(54) **PICNIC TABLE**

(76) Inventors: **Christian Radelet**, Rue des Vennes 111,  
Liege (BE) B-4020; **Leonardo**  
**LoMascolo**, Chaussee Roosevelt 182,  
Montegnee (BE) B-4420

(\*\*) Term: **14 Years**

(21) Appl. No.: **29/333,888**

(22) Filed: **Mar. 17, 2009**

(51) **LOC (9) Cl.** ..... **06-01**

(52) **U.S. Cl.** ..... **D6/336**

(58) **Field of Classification Search** ..... D6/330,  
D6/335-338, 340, 349-355, 358, 359, 364,  
D6/366, 376, 491, 495, 500-502; 297/16.1,  
297/39, 46, 135, 140, 156, 158.3, 158.4,  
297/175, 177, 187, 195.1, 195.11, 211, 245,  
297/423.1, 423.16, 445.1, 461, 462  
See application file for complete search history.

(56) **References Cited**

**U.S. PATENT DOCUMENTS**

1,757,960 A \* 5/1930 Greenstreet ..... 297/124  
4,211,449 A \* 7/1980 Richardson et al. .... 297/126  
D368,171 S \* 3/1996 Snell ..... D6/336

5,704,683 A \* 1/1998 Cooper et al. .... 297/124  
D425,320 S \* 5/2000 Lindsay et al. .... D6/335  
D472,395 S \* 4/2003 Wills et al. .... D6/336  
D537,641 S \* 3/2007 Byers, II ..... D6/335

\* cited by examiner

*Primary Examiner*—Sandra Snapp

(74) *Attorney, Agent, or Firm*—Kirschstein, et al.

(57) **CLAIM**

The ornamental design for a picnic table, as shown and described.

**DESCRIPTION**

FIG. 1 is a right, front and top, perspective view of a picnic table according to our new design;

FIG. 2 is a top plan view thereof;

FIG. 3 is a right side elevational view thereof;

FIG. 4 is a front elevational view thereof, the opposite rear view being a mirror image;

FIG. 5 is a left side elevational view thereof;

FIG. 6 is a bottom plan view thereof; and,

FIG. 7 is a left, front and top, perspective view thereof.

**1 Claim, 4 Drawing Sheets**

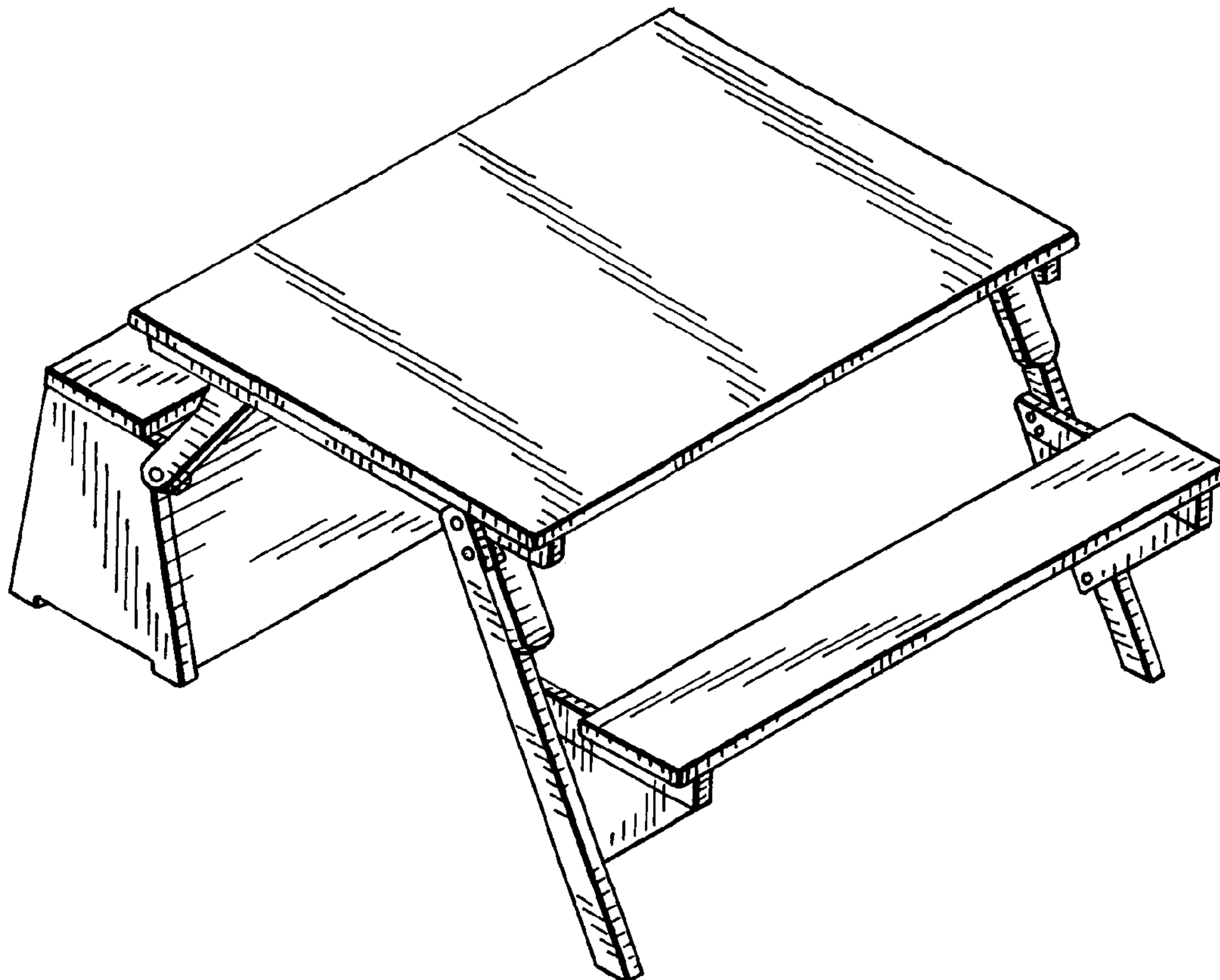


FIG. 1

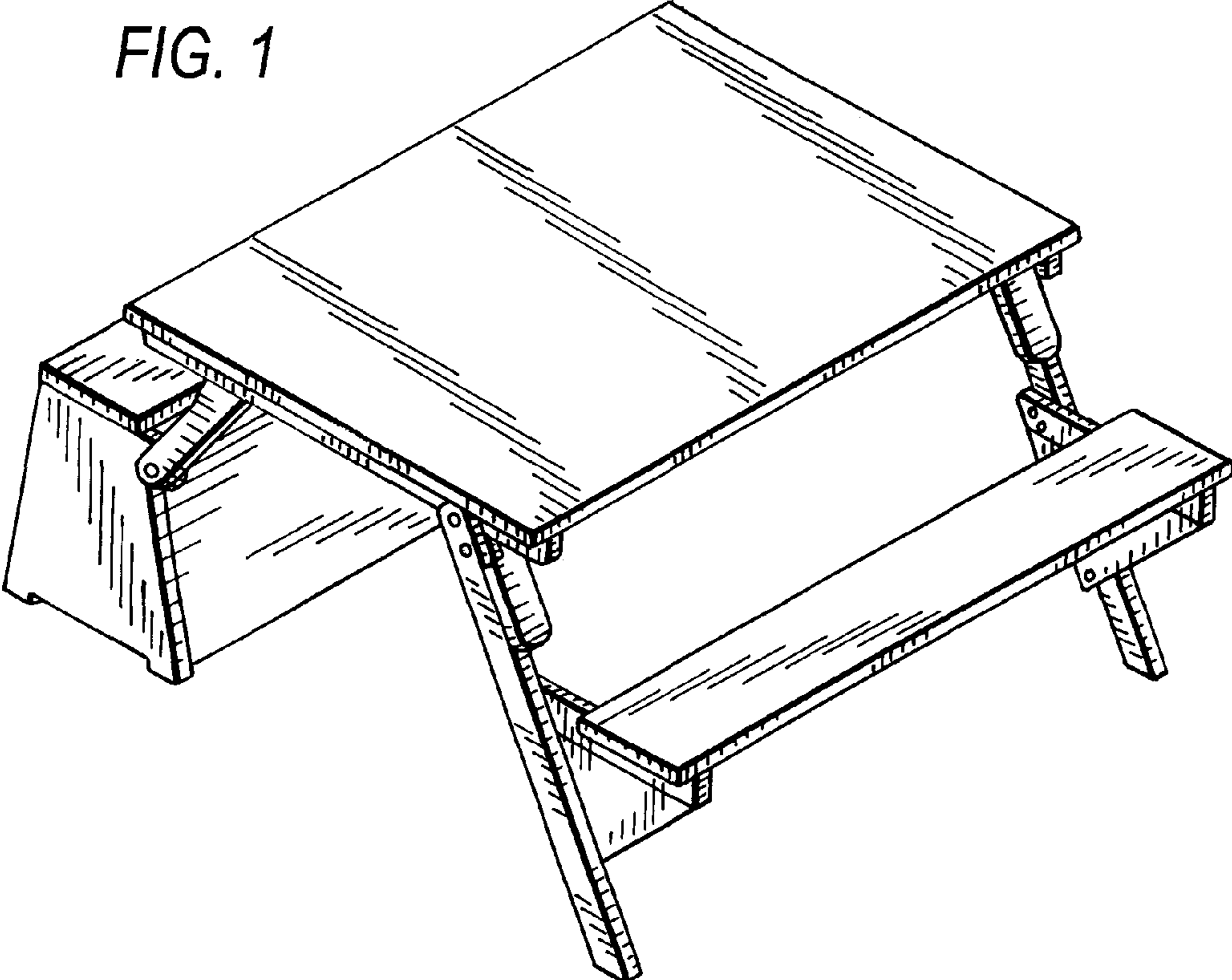


FIG. 4

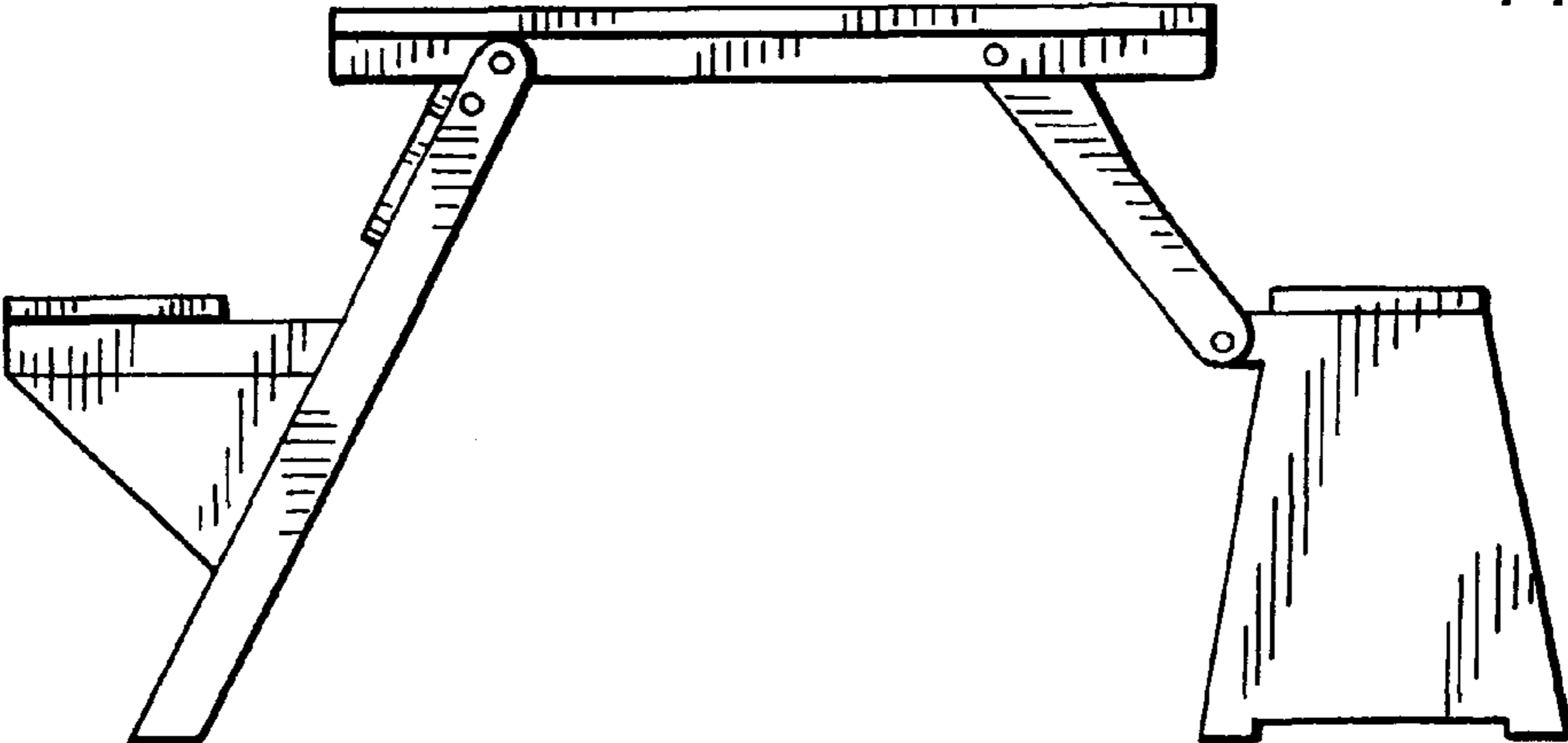


FIG. 2

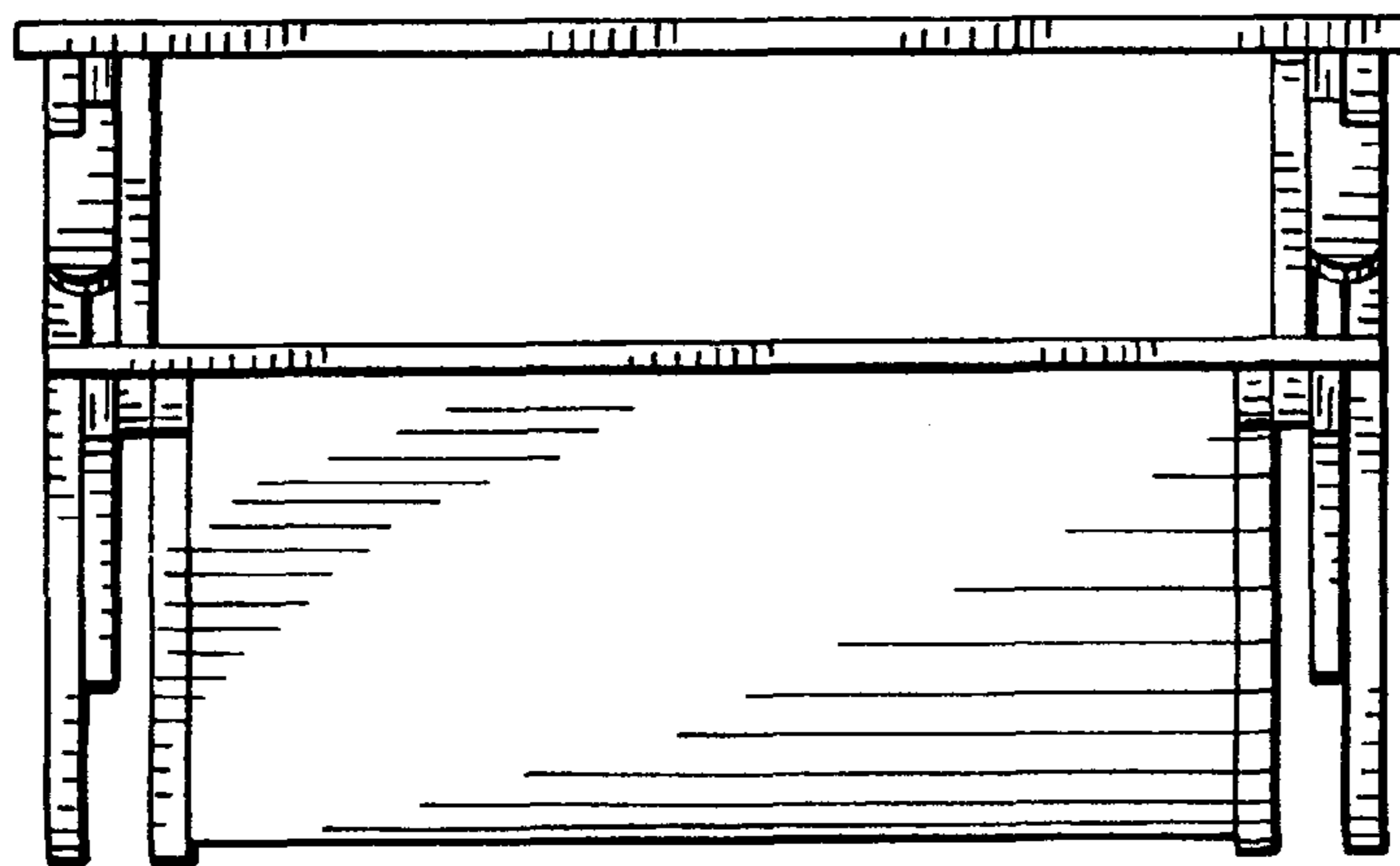
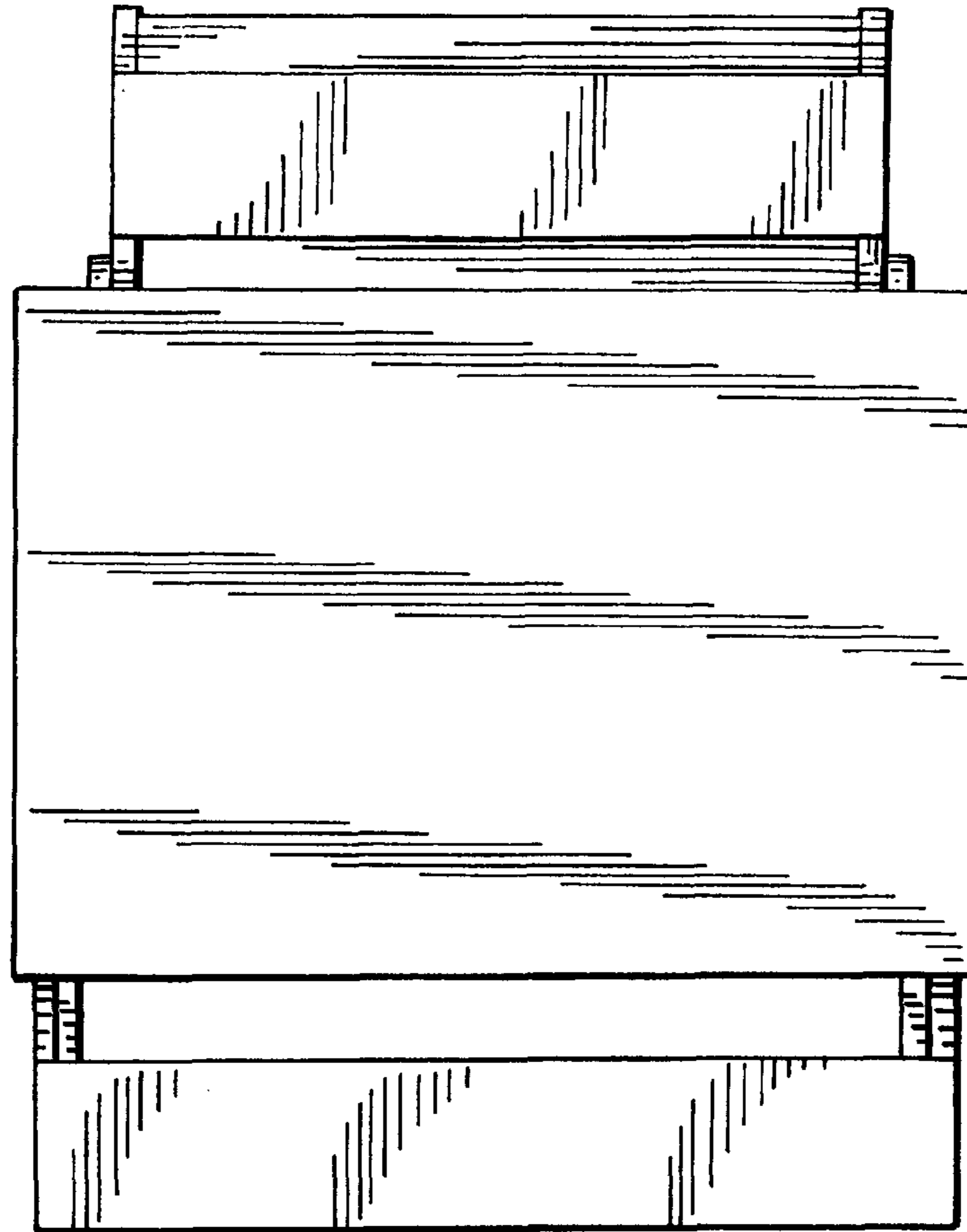


FIG. 3

FIG. 5

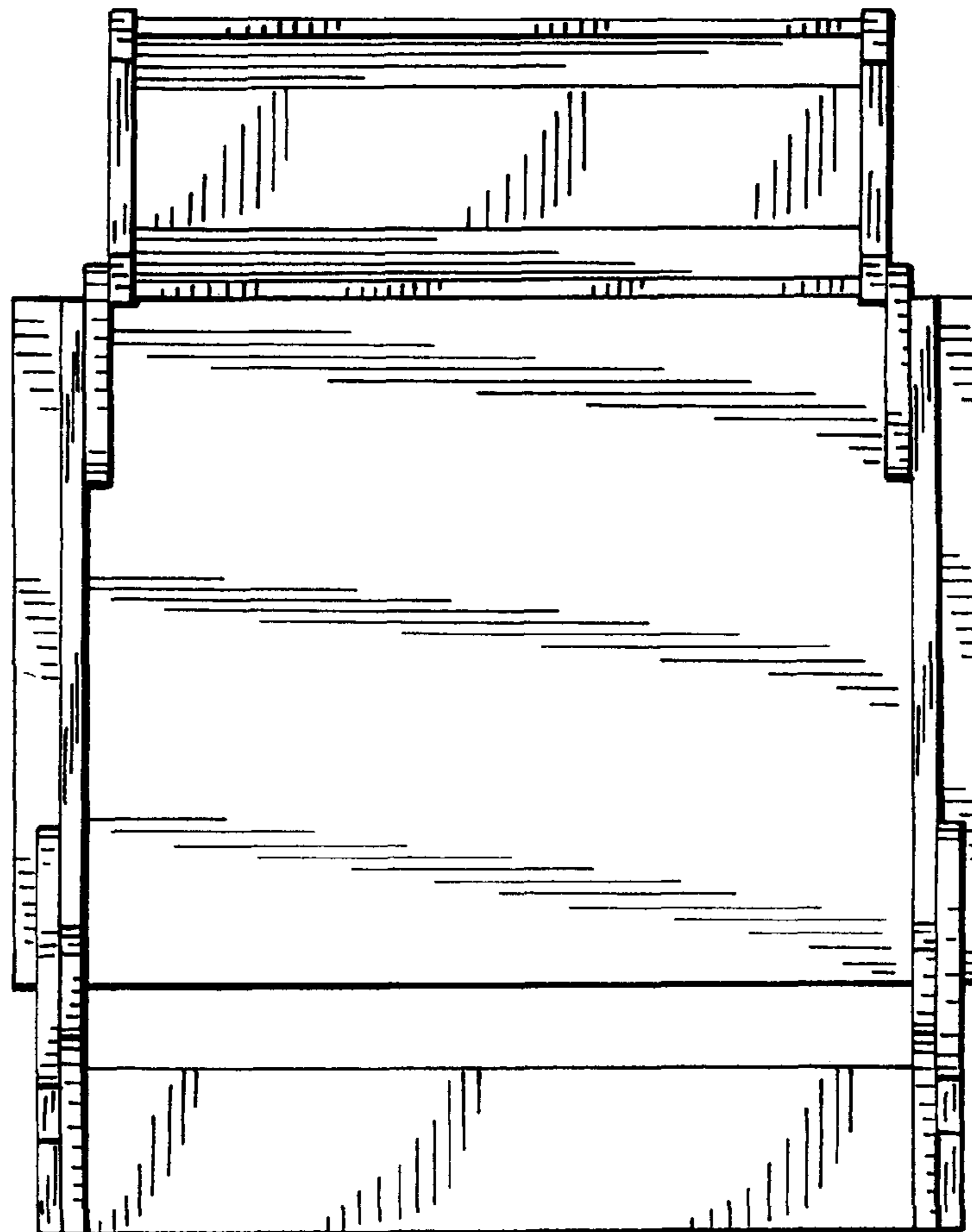
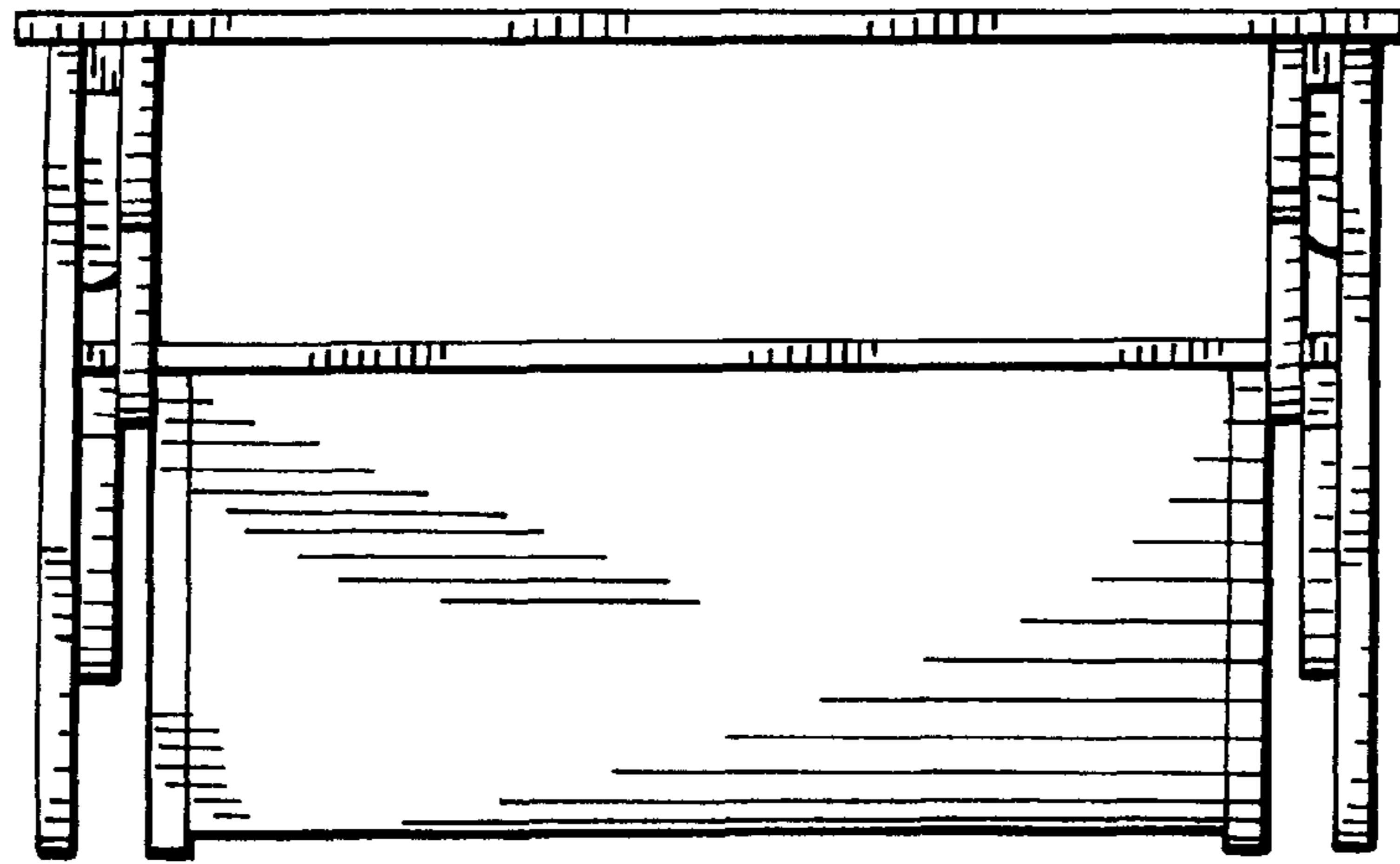


FIG. 6

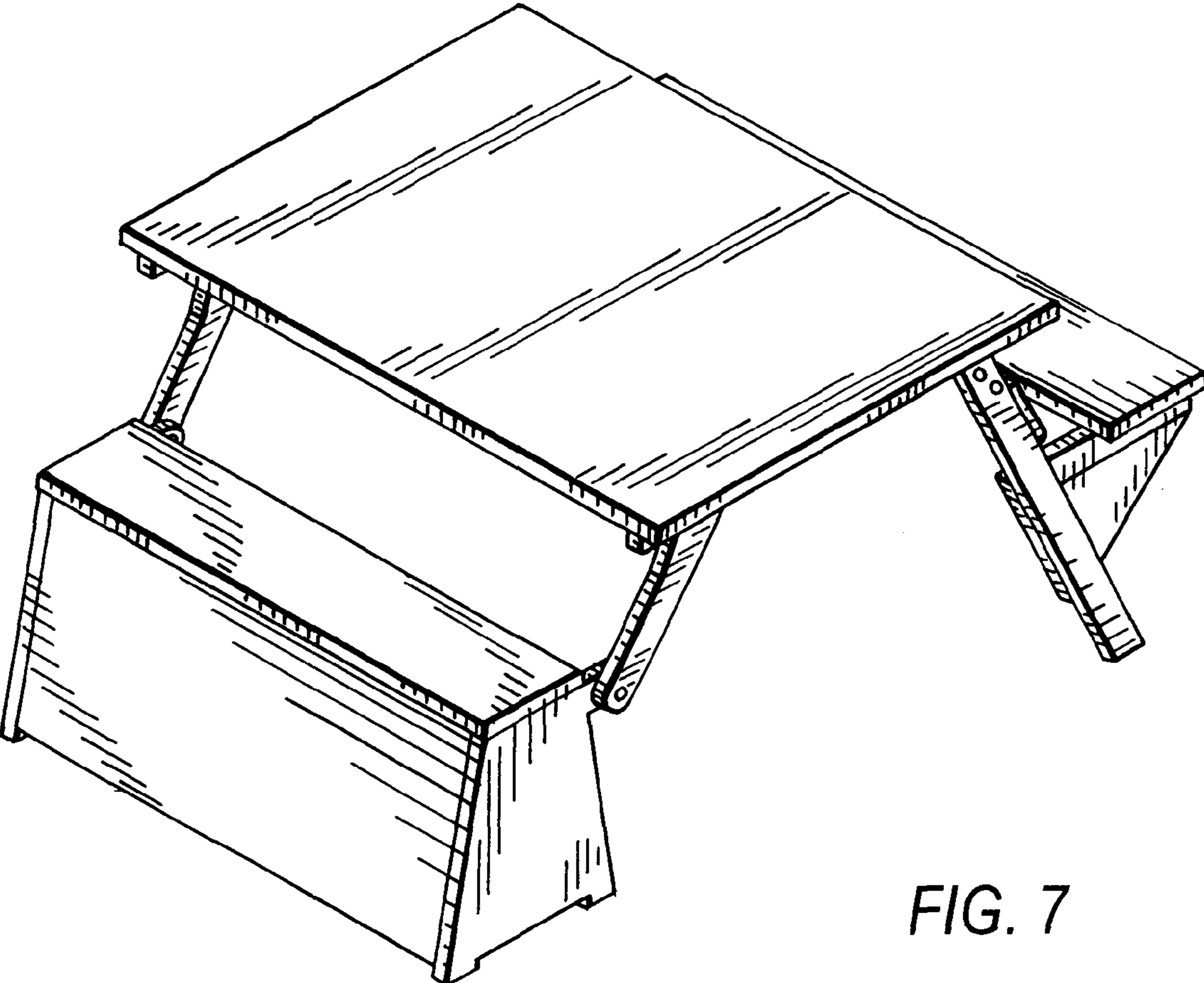


FIG. 7