



US00D615760S

(12) **United States Design Patent**
Anderson

(10) **Patent No.:** **US D615,760 S**

(45) **Date of Patent:** **** May 18, 2010**

(54) **GOLF BAG BOTTOM**

(75) Inventor: **Douglas W. Anderson**, Phoenix, AZ
(US)

(73) Assignee: **Karsten Manufacturing Corporation**,
Phoenix, AZ (US)

(**) Term: **14 Years**

(21) Appl. No.: **29/337,591**

(22) Filed: **May 26, 2009**

(51) **LOC (9) Cl.** **03-99**

(52) **U.S. Cl.** **D3/328.1**

(58) **Field of Classification Search** D3/320,
D3/328.1, 254, 255, 259, 905; D34/15, 12,
D34/27; 211/70.2; 248/95, 96; 206/315.2-315.8
See application file for complete search history.

(56) **References Cited**

U.S. PATENT DOCUMENTS

1,438,263	A	12/1922	Rothschild	
1,658,243	A	2/1928	Kindwall	
5,112,068	A	5/1992	Liao et al.	
D372,362	S	8/1996	Bryant et al.	
5,687,843	A	11/1997	Yuill	
D389,650	S *	1/1998	Rhee	D3/320
D421,839	S *	3/2000	Beck et al.	D3/259
D435,723	S *	1/2001	Shin	D3/255
D513,125	S	12/2005	Anderson	
7,017,781	B2	3/2006	Provenza	
D523,641	S *	6/2006	Cheng	D3/328.1

D524,054	S *	7/2006	Cheng	D3/328.1
D524,055	S *	7/2006	Cheng	D3/328.1
D578,765	S	10/2008	Anderson et al.	
2004/0232016	A1	11/2004	Dietrich	

OTHER PUBLICATIONS

Douglas W. Anderson et al., "Golf Bag Bottoms and Methods to Manufacture Golf Bag Bottoms," U.S. Appl. No. 11/846,424, filed Aug. 28, 2007.

Frank A. Quartarone et al., "Golf Bag Bottom," U.S. Appl. No. 29/337,592, filed May 26, 2009.

* cited by examiner

Primary Examiner—Holly H Baynham

Assistant Examiner—Sheryl Lane

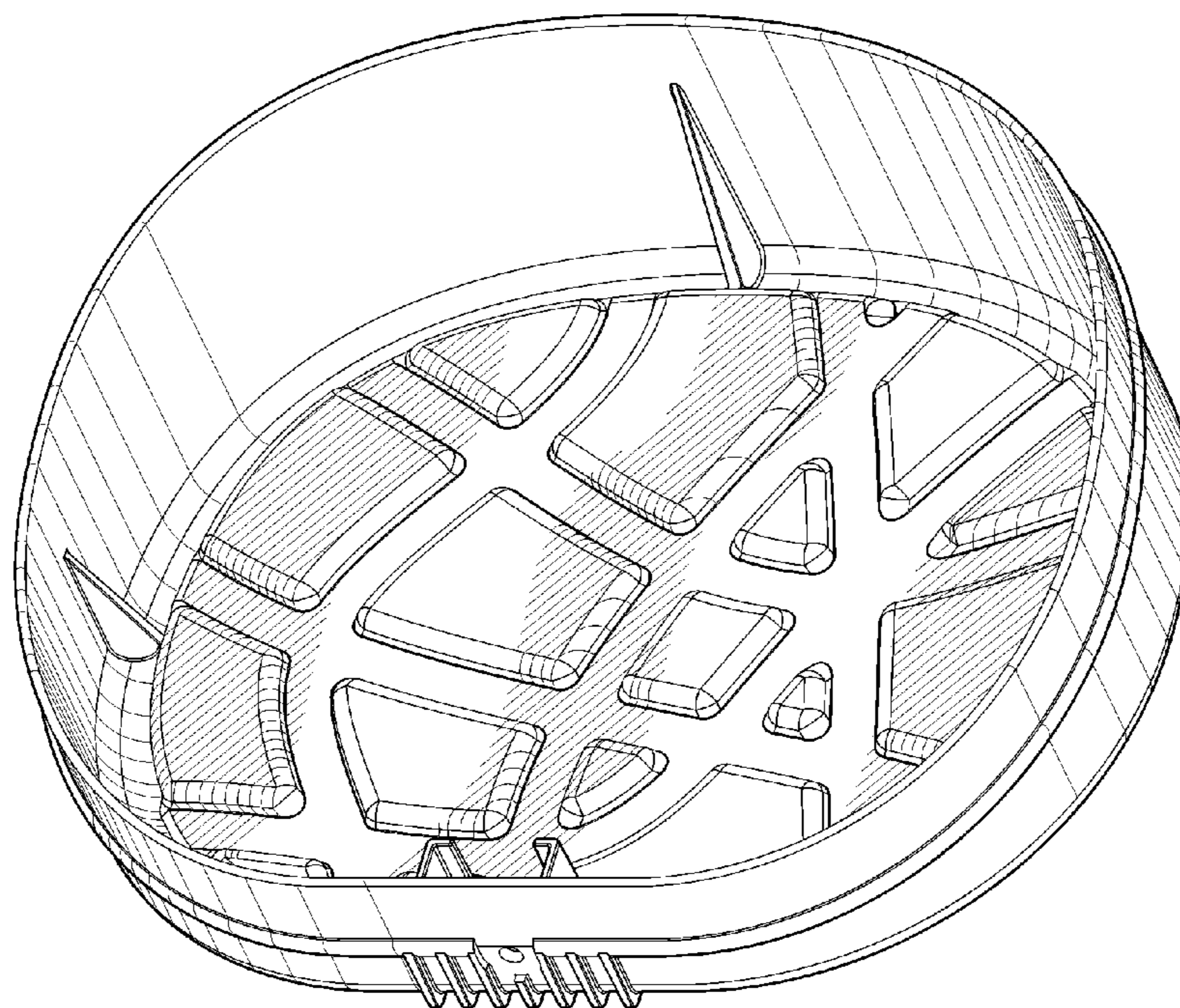
(57) **CLAIM**

The ornamental design for a golf bag bottom, as shown and described.

DESCRIPTION

FIG. 1 is a top perspective view of a golf bag bottom;
FIG. 2 is a bottom perspective view of the golf bag bottom of FIG. 1;
FIG. 3 is a front view of the golf bag bottom of FIG. 1;
FIG. 4 is a rear view of the golf bag bottom of FIG. 1;
FIG. 5 is a top view of the golf bag bottom of FIG. 1;
FIG. 6 is a bottom view of the golf bag bottom of FIG. 1;
FIG. 7 is a left view of the golf bag bottom of FIG. 1; and,
FIG. 8 is a right view of the golf bag bottom of FIG. 1.

1 Claim, 4 Drawing Sheets



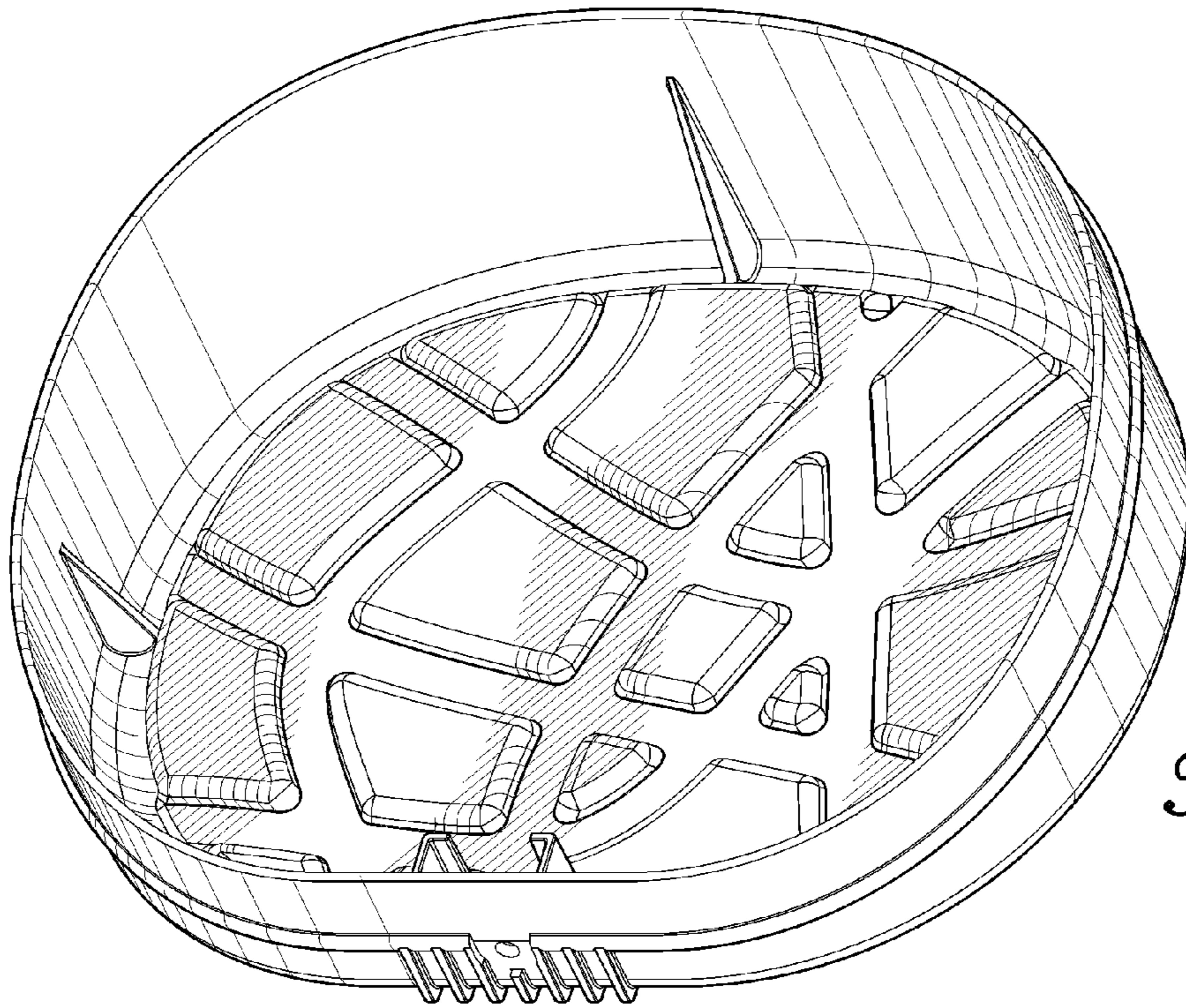


Fig. 1

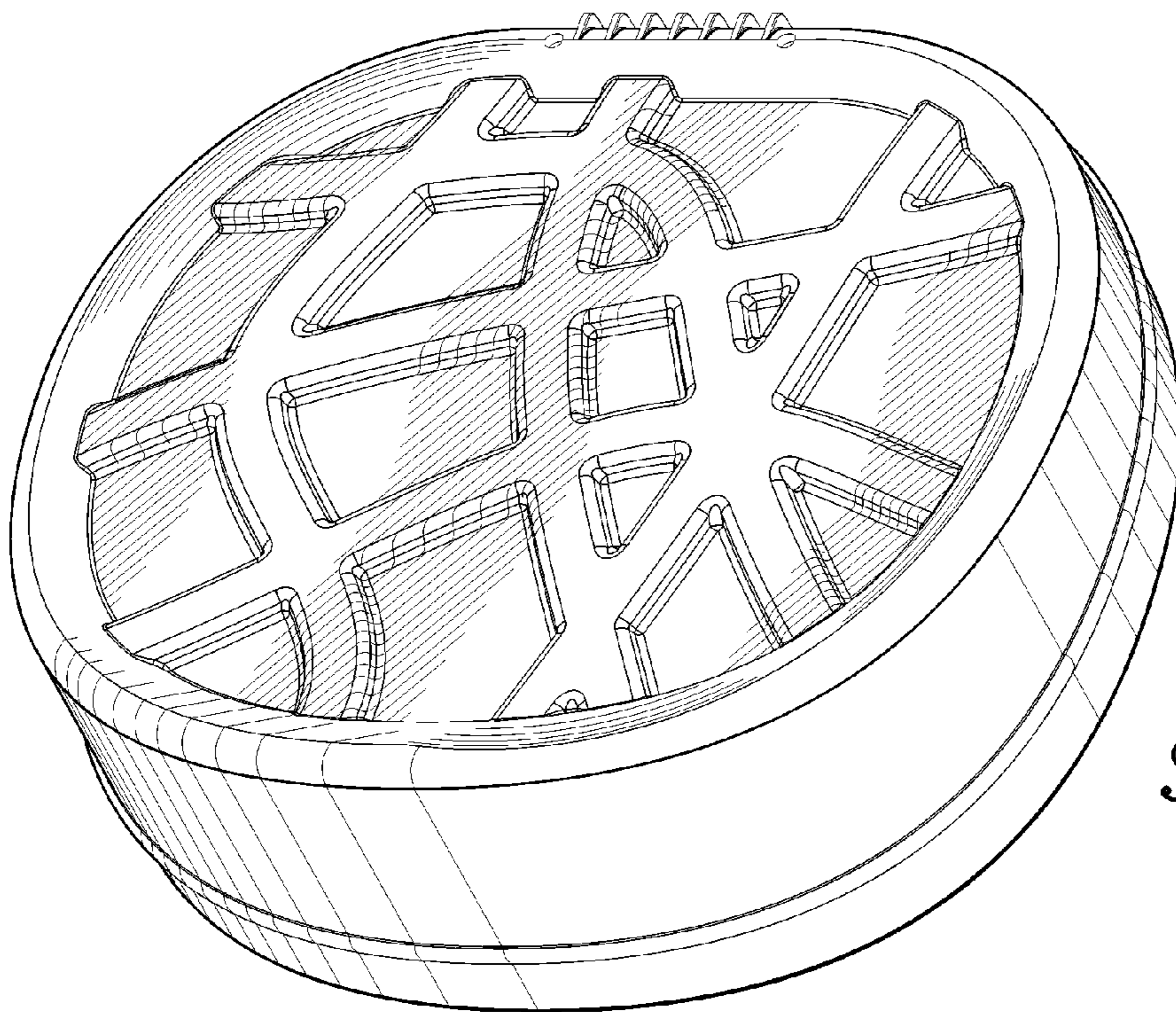


Fig. 2

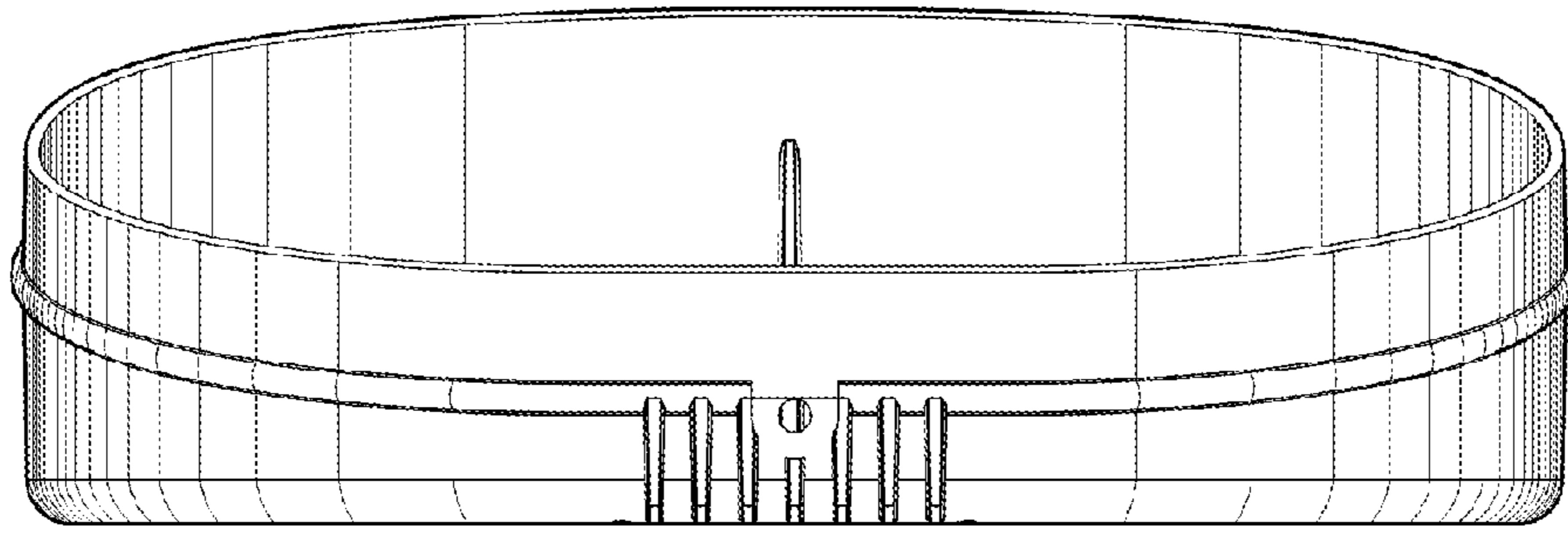


Fig. 3

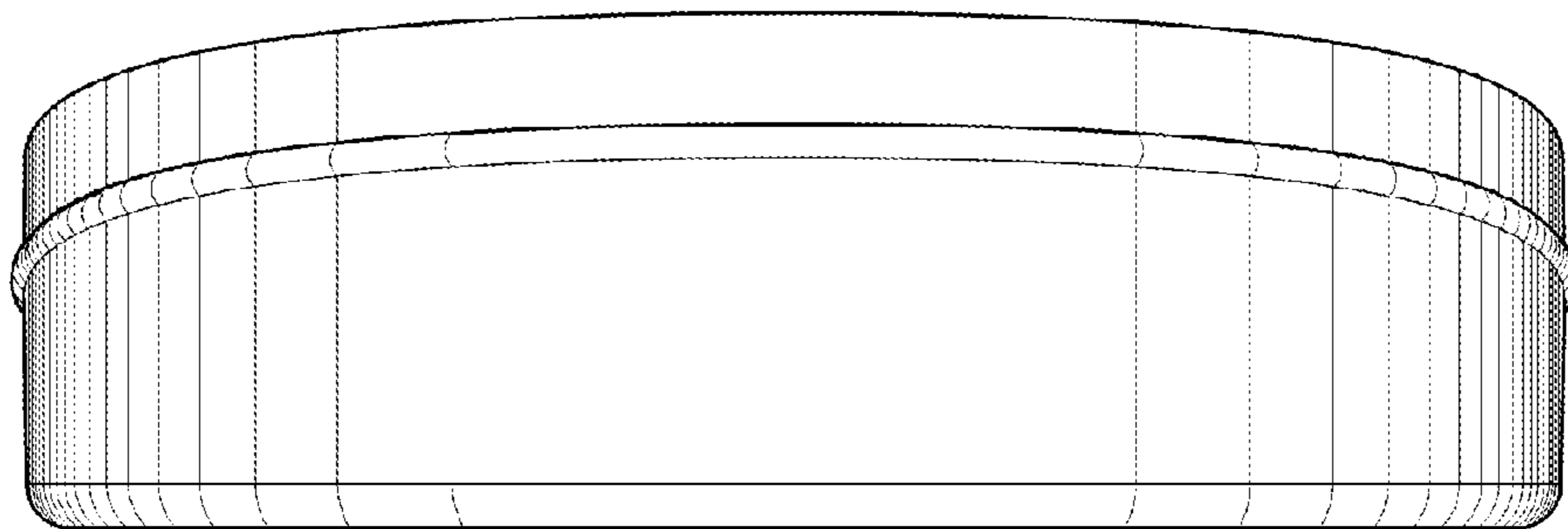


Fig. 4

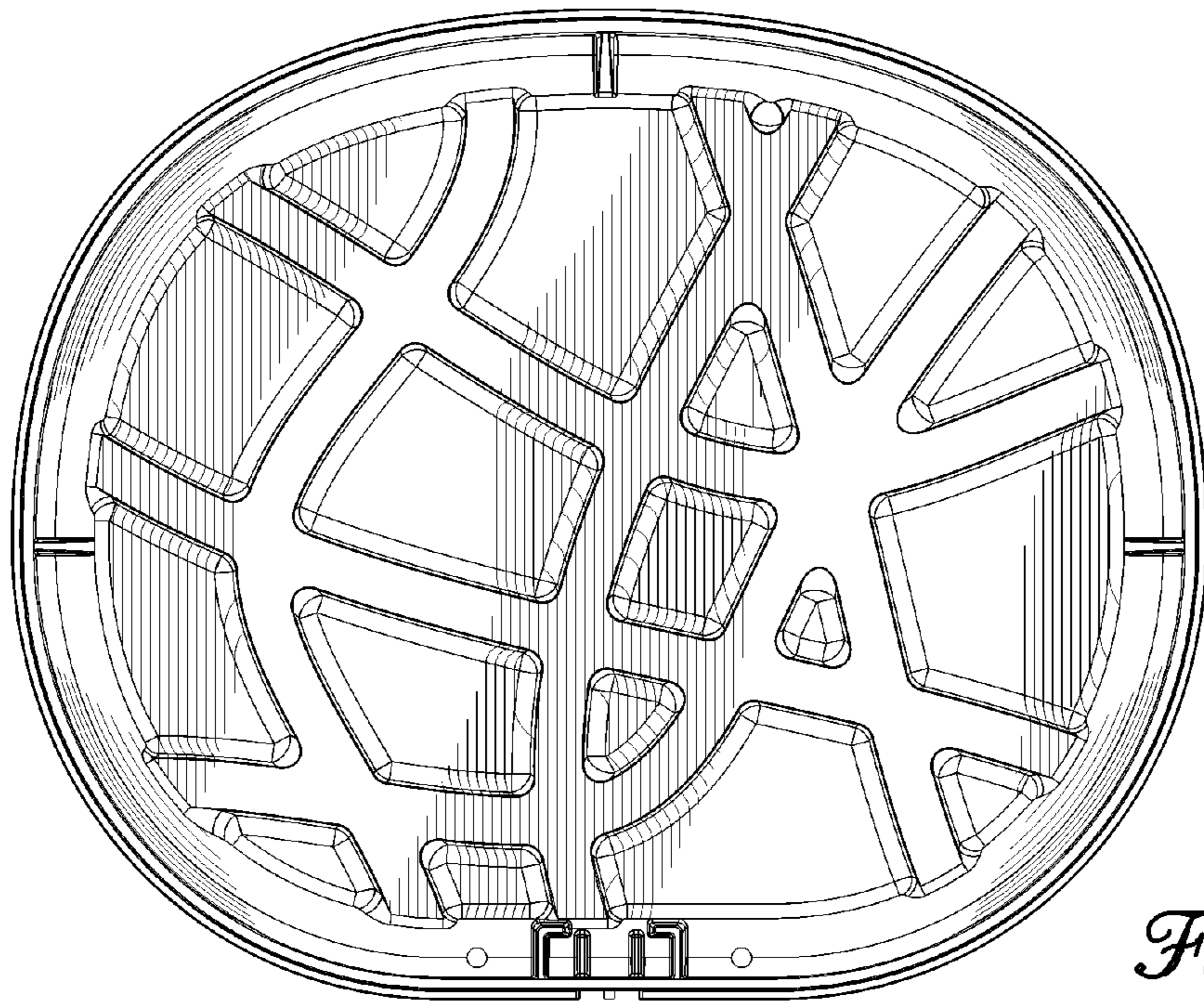


Fig. 5

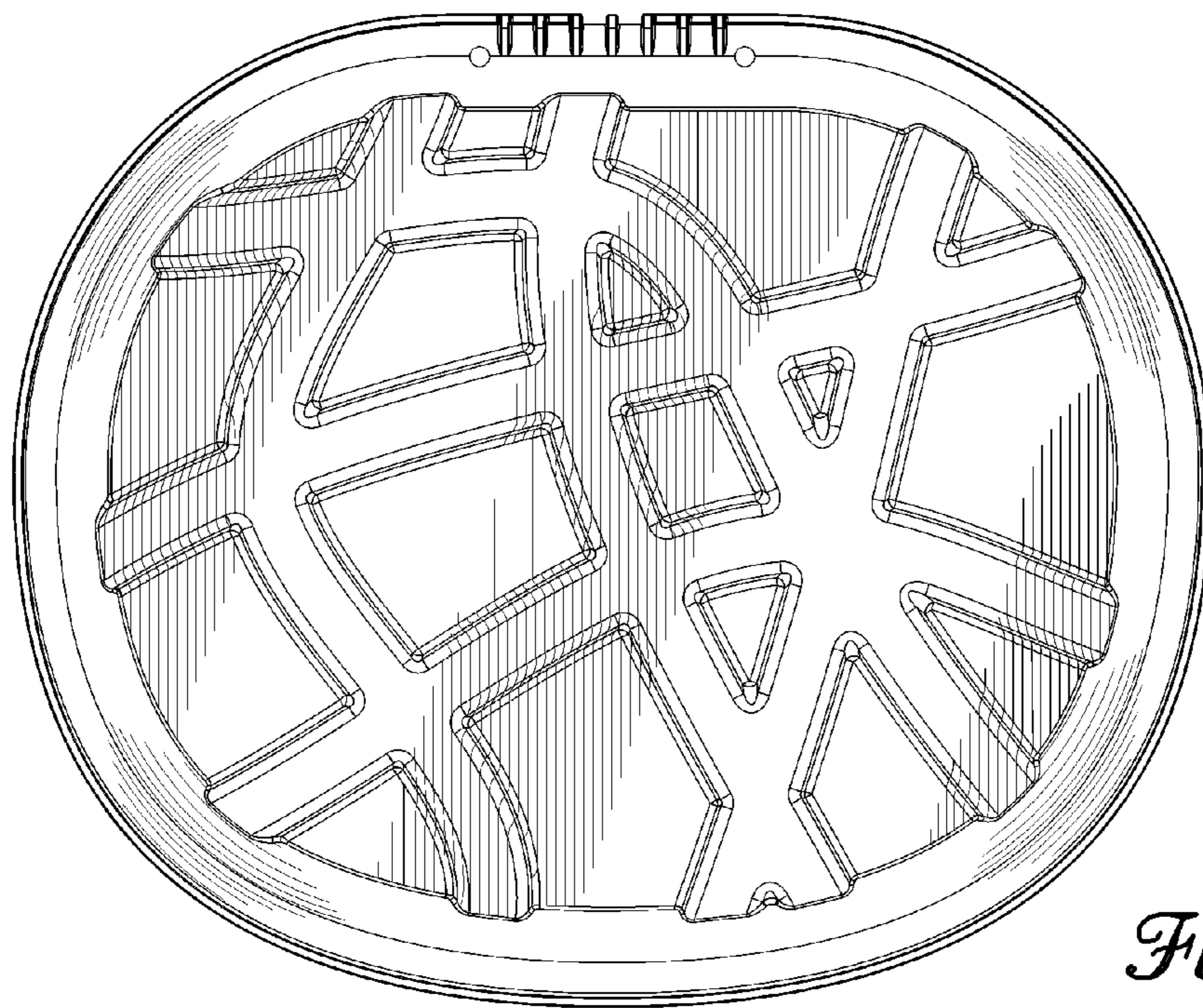


Fig. 6

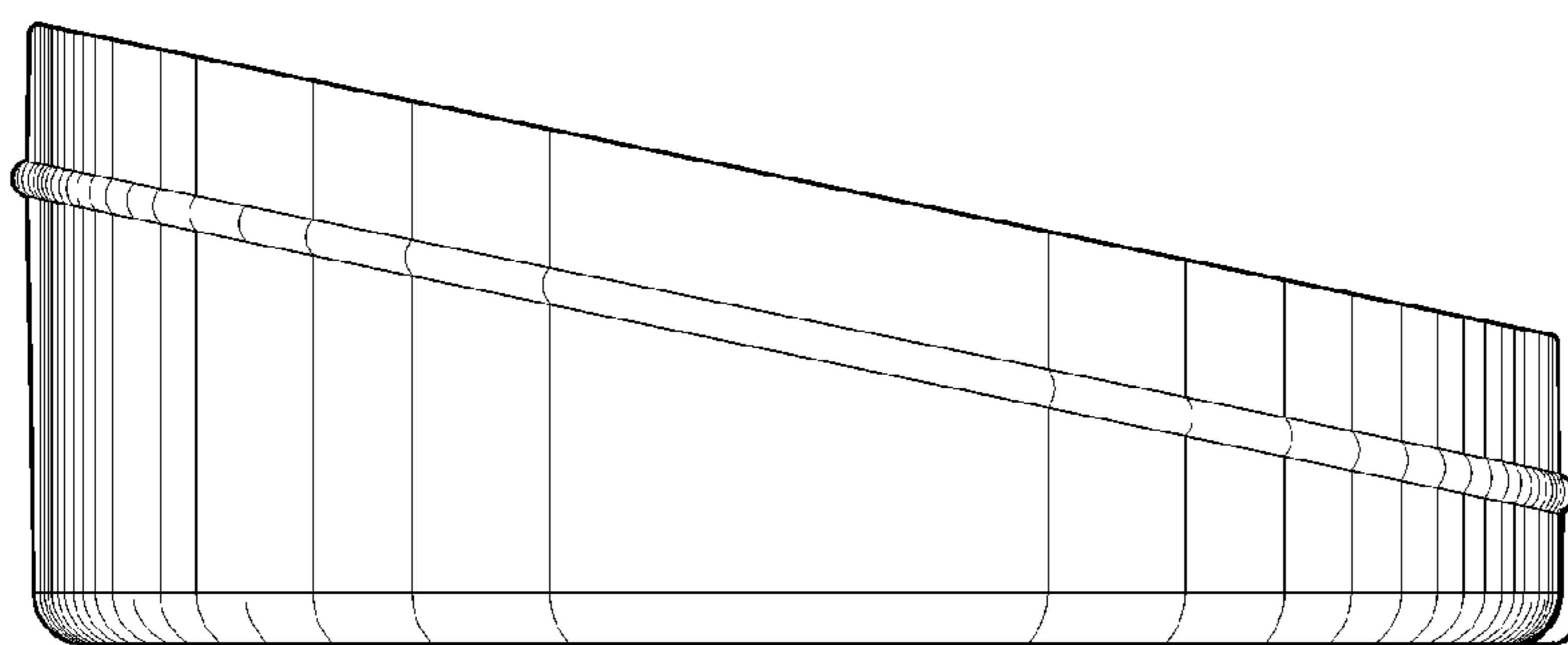


Fig. 7

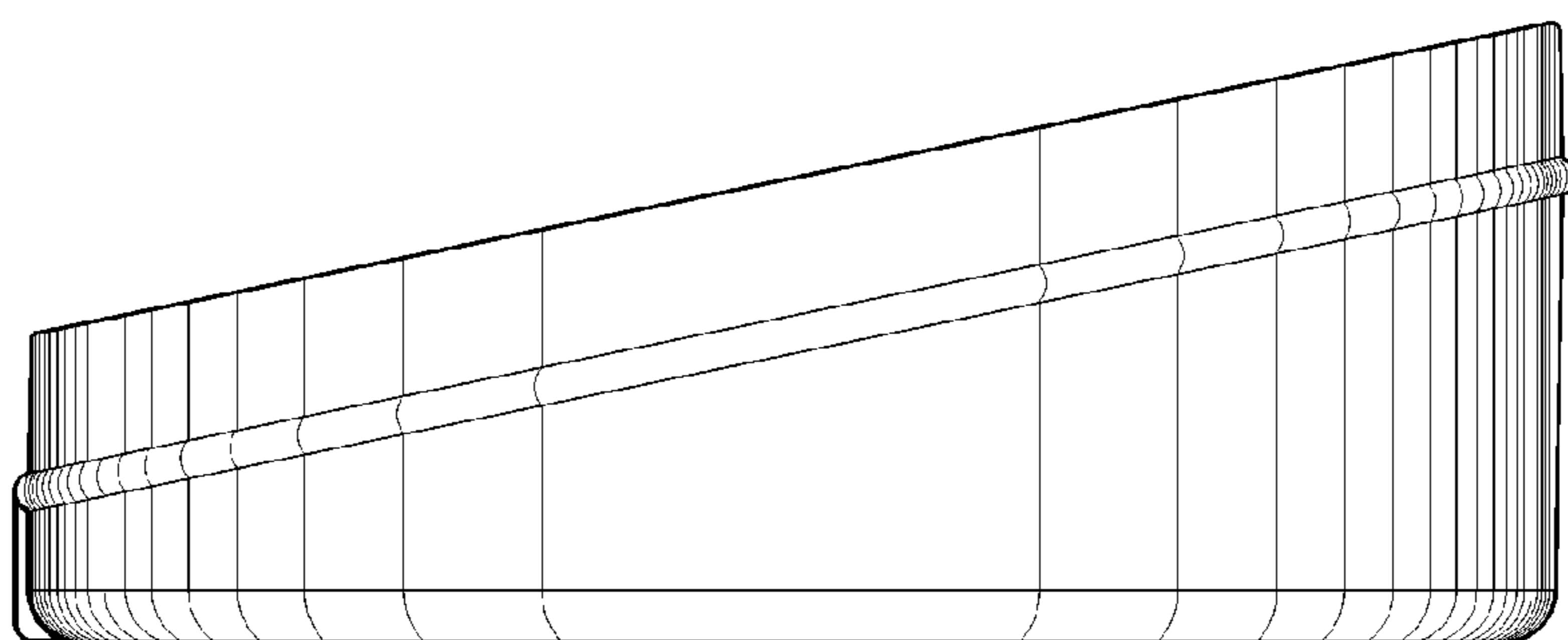


Fig. 8