



US00D615757S

(12) **United States Design Patent**
Kostner

(10) **Patent No.:** **US D615,757 S**

(45) **Date of Patent:** **** May 18, 2010**

(54) **SAFETY BOLT BAG**

(75) Inventor: **Justin B. Kostner**, Minneapolis, MN
(US)

(73) Assignee: **Tenacious Holdings, Inc.**, St. Paul, MN
(US)

(**) Term: **14 Years**

(21) Appl. No.: **29/345,838**

(22) Filed: **Oct. 22, 2009**

(51) **LOC (9) Cl.** **03-01**

(52) **U.S. Cl.** **D3/244**

(58) **Field of Classification Search** D3/232–233,
D3/240–246, 318, 324; 150/100, 103–110,
150/113–114, 118–119

See application file for complete search history.

(56) **References Cited**

U.S. PATENT DOCUMENTS

4,153,146	A *	5/1979	Patton et al.	190/103
5,238,307	A	8/1993	Mooney et al.	
D340,354	S *	10/1993	Wrath	D3/238
5,609,419	A	3/1997	Byers, Jr.	
5,988,879	A	11/1999	Bredderman et al.	
6,287,002	B1	9/2001	Sherman et al.	
D526,120	S *	8/2006	Lee et al.	D3/233
D582,151	S *	12/2008	Gonzalez	D3/232
D595,051	S *	6/2009	Namey	D3/232

* cited by examiner

Primary Examiner—Holly H Baynham
(74) *Attorney, Agent, or Firm*—Patterson, Thunte, Christensen, Pedersen, P.A.

(57) **CLAIM**

I claim the ornamental design for safety bolt bag, as shown.

DESCRIPTION

FIG. 1 is a front perspective view of a safety bolt bag according to an embodiment of the invention.

FIG. 2 is a front perspective view of the safety bolt bag of FIG. 1 in a closed disposition according to an embodiment of the invention.

FIG. 3 is a front perspective view of the safety bolt bag of FIG. 1 in an open disposition according to an embodiment of the invention.

FIG. 4 is a front view of the safety bolt bag of FIG. 1.

FIG. 5 is a right side view of the safety bolt bag of FIG. 1.

FIG. 6 is a rear view of the safety bolt bag of FIG. 1.

FIG. 7 is a left side view of the safety bolt bag of FIG. 1.

FIG. 8 is a top view of the safety bolt bag of FIG. 1; and,

FIG. 9 is a bottom view of the safety bolt bag of FIG. 1.

The broken lines in the drawings represent stitching and are part of the claimed design.

1 Claim, 9 Drawing Sheets

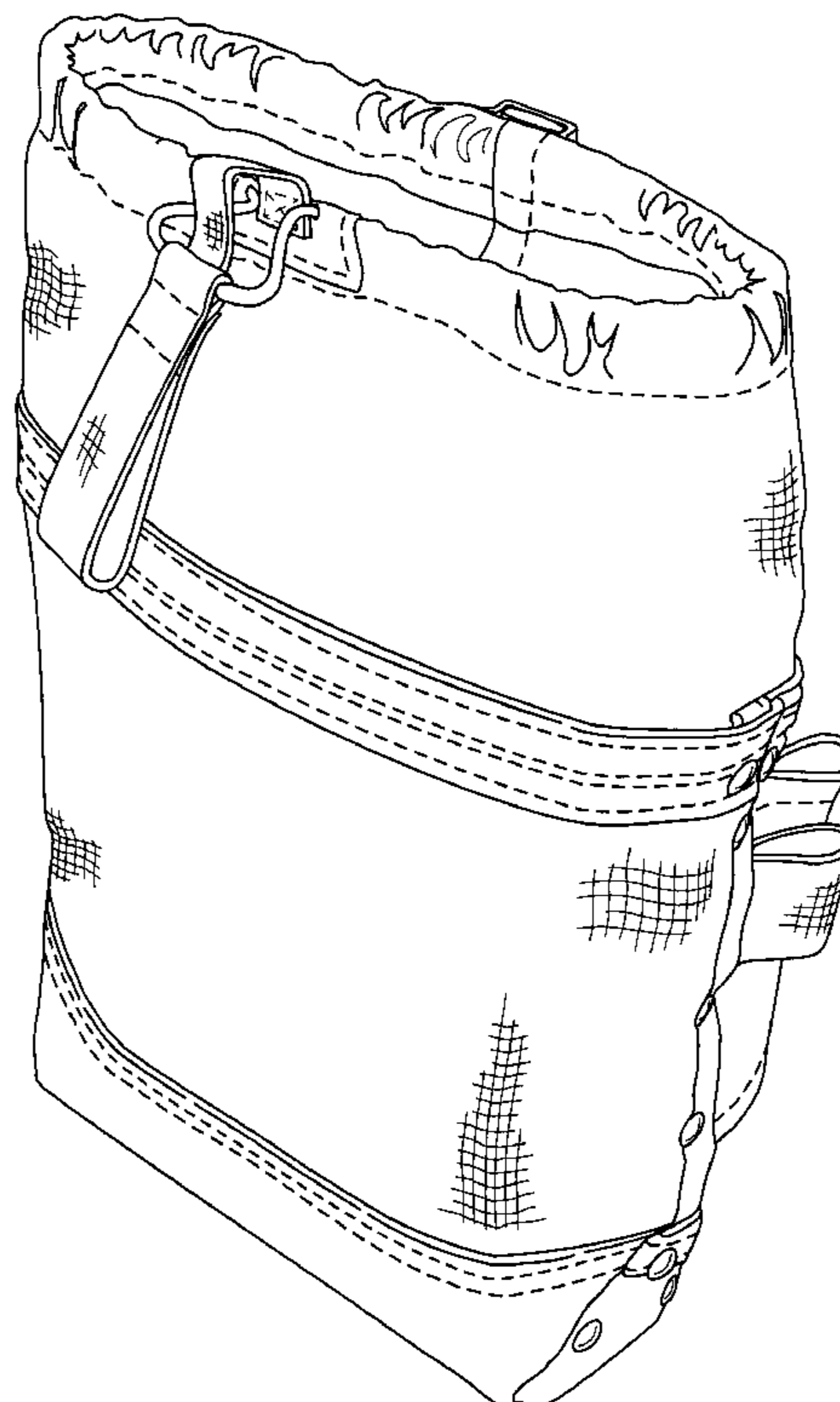


Fig. 1

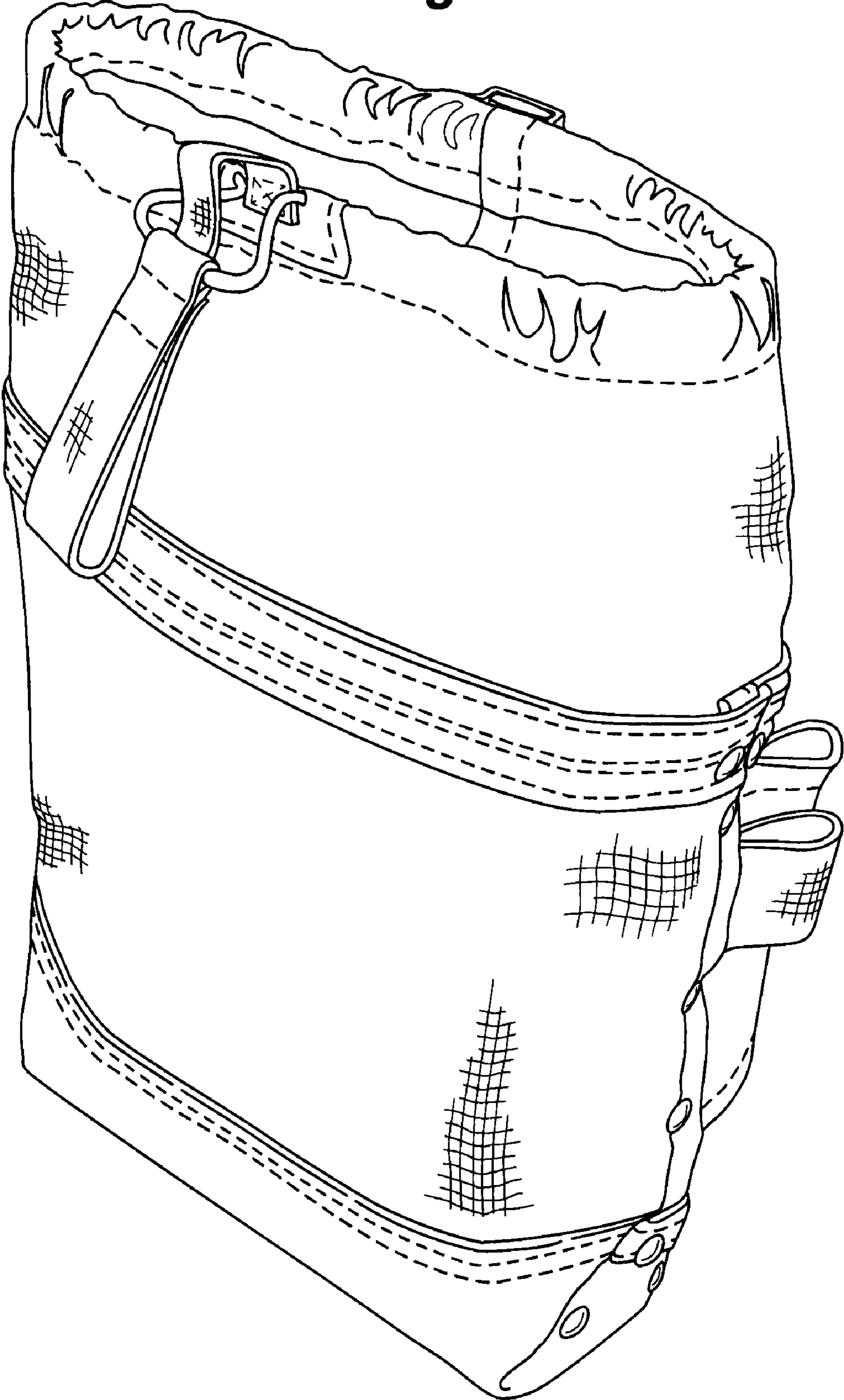


Fig. 2

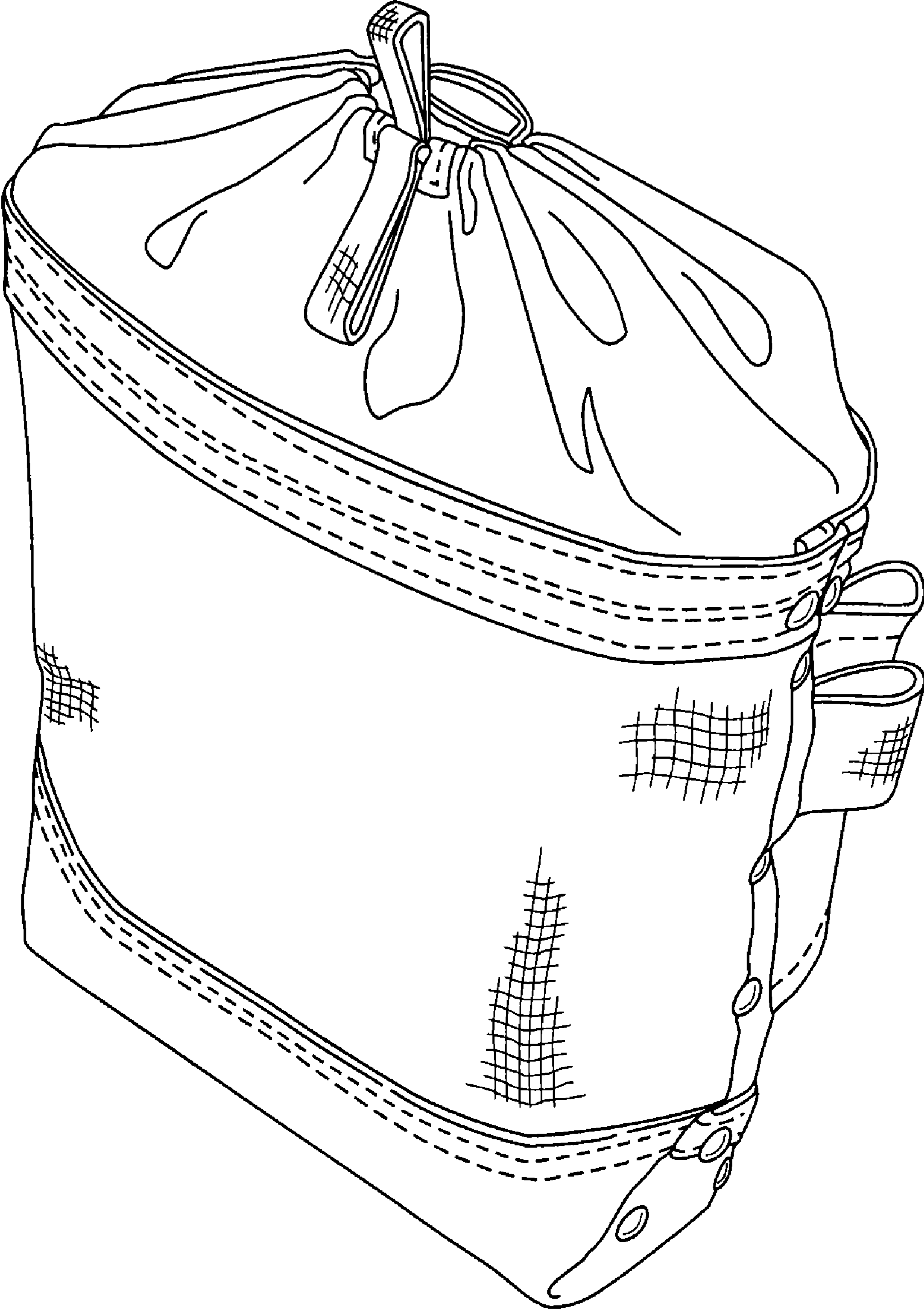


Fig. 3

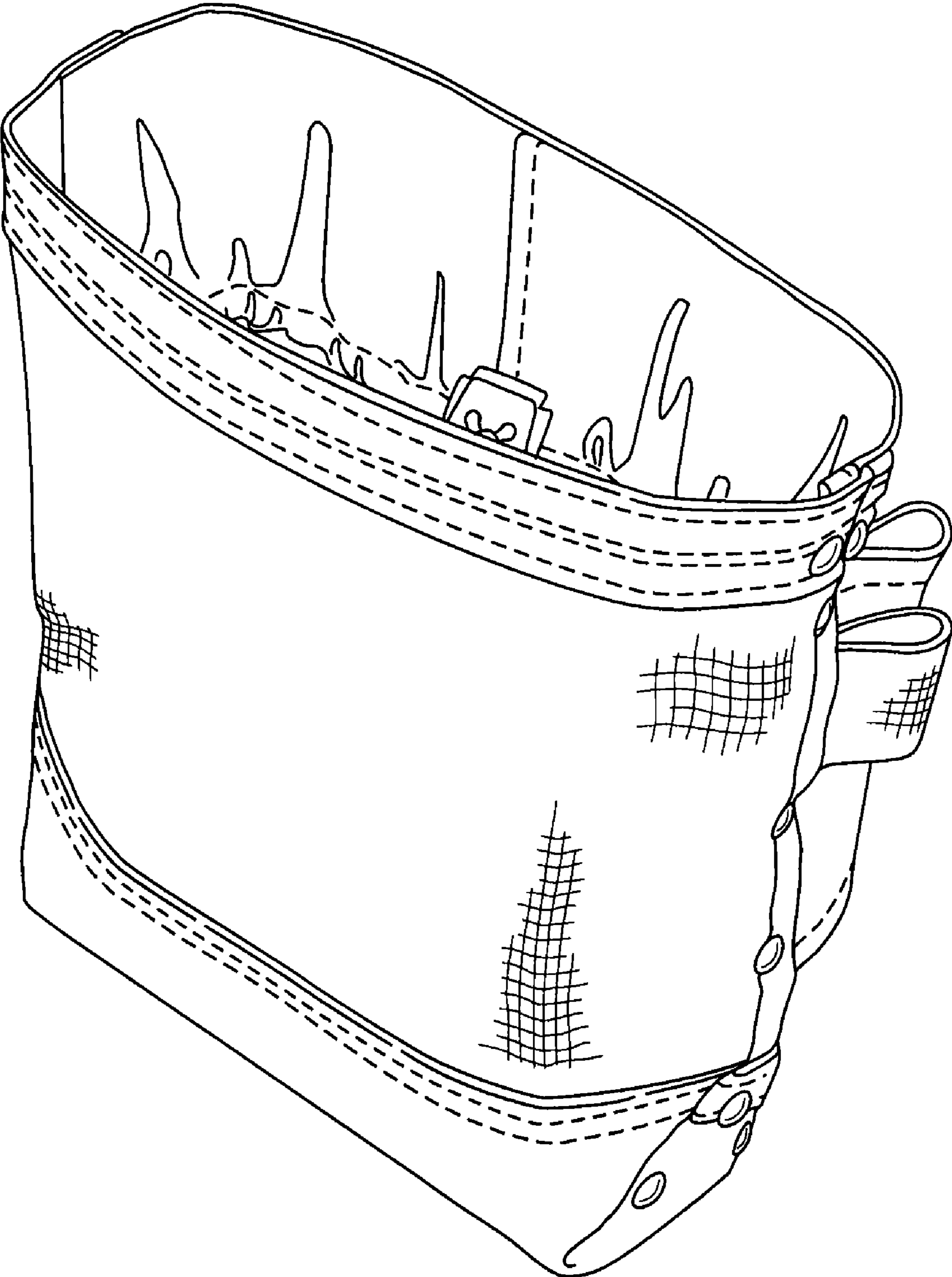


Fig. 4

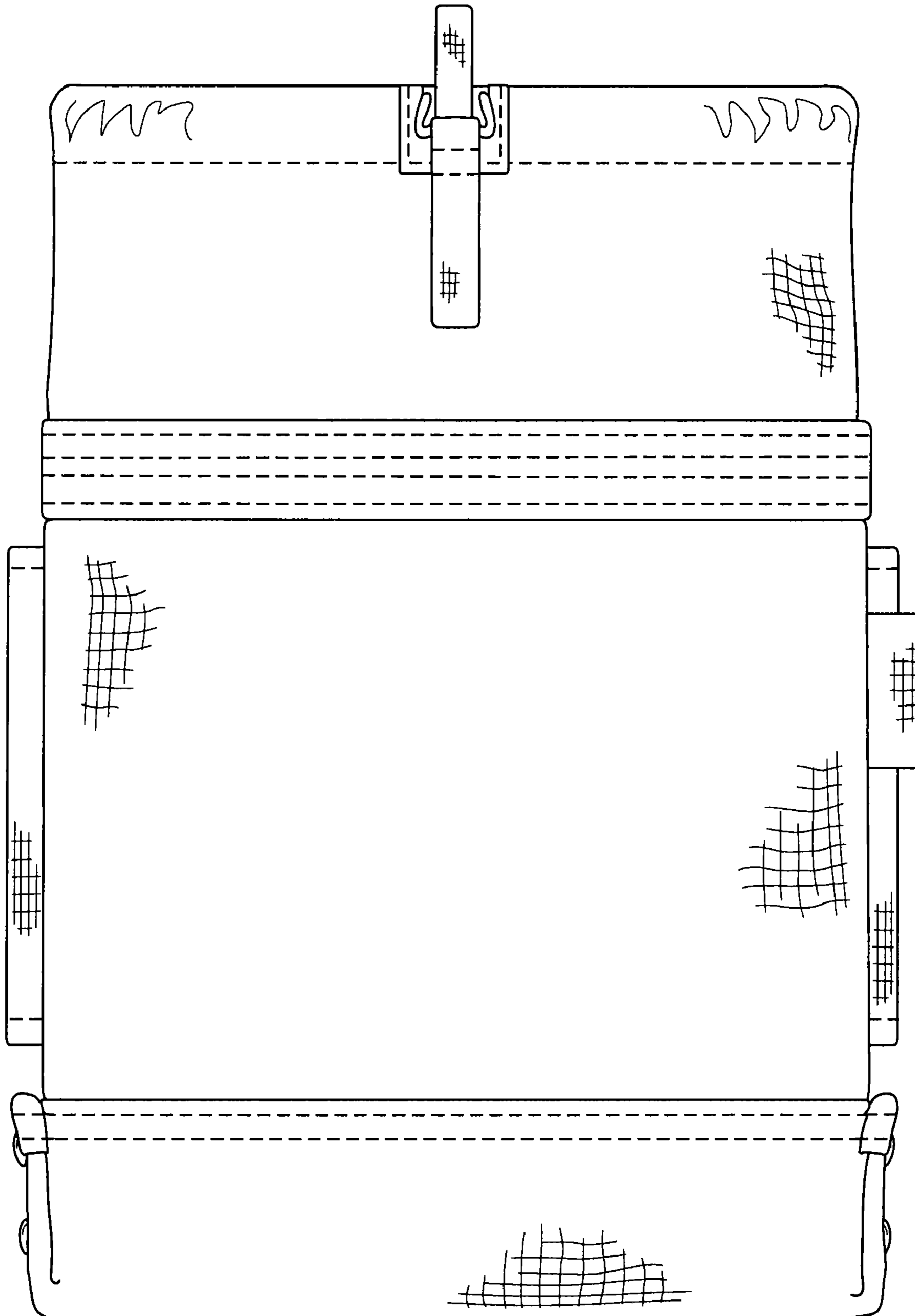


Fig. 5

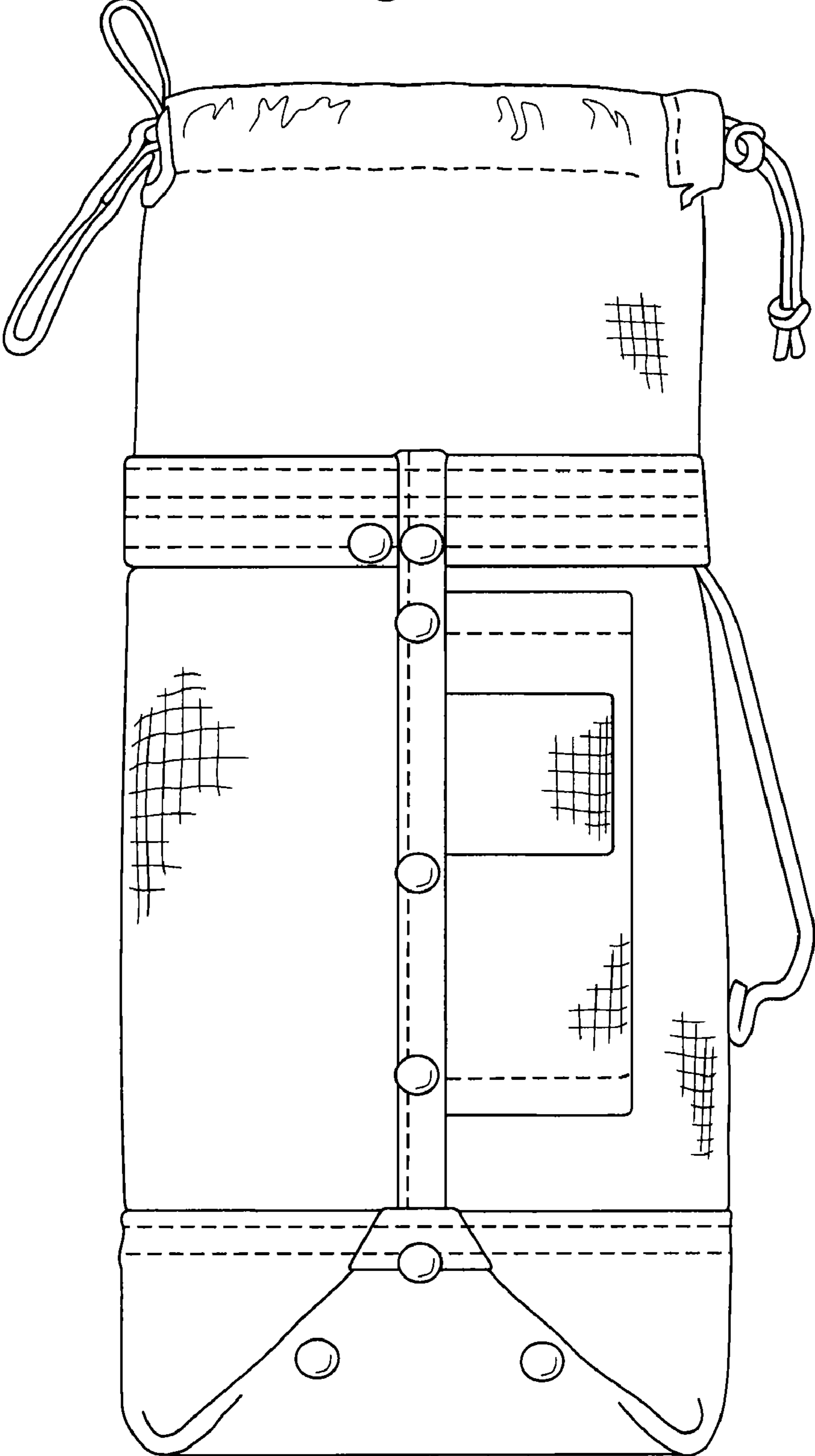


Fig. 6

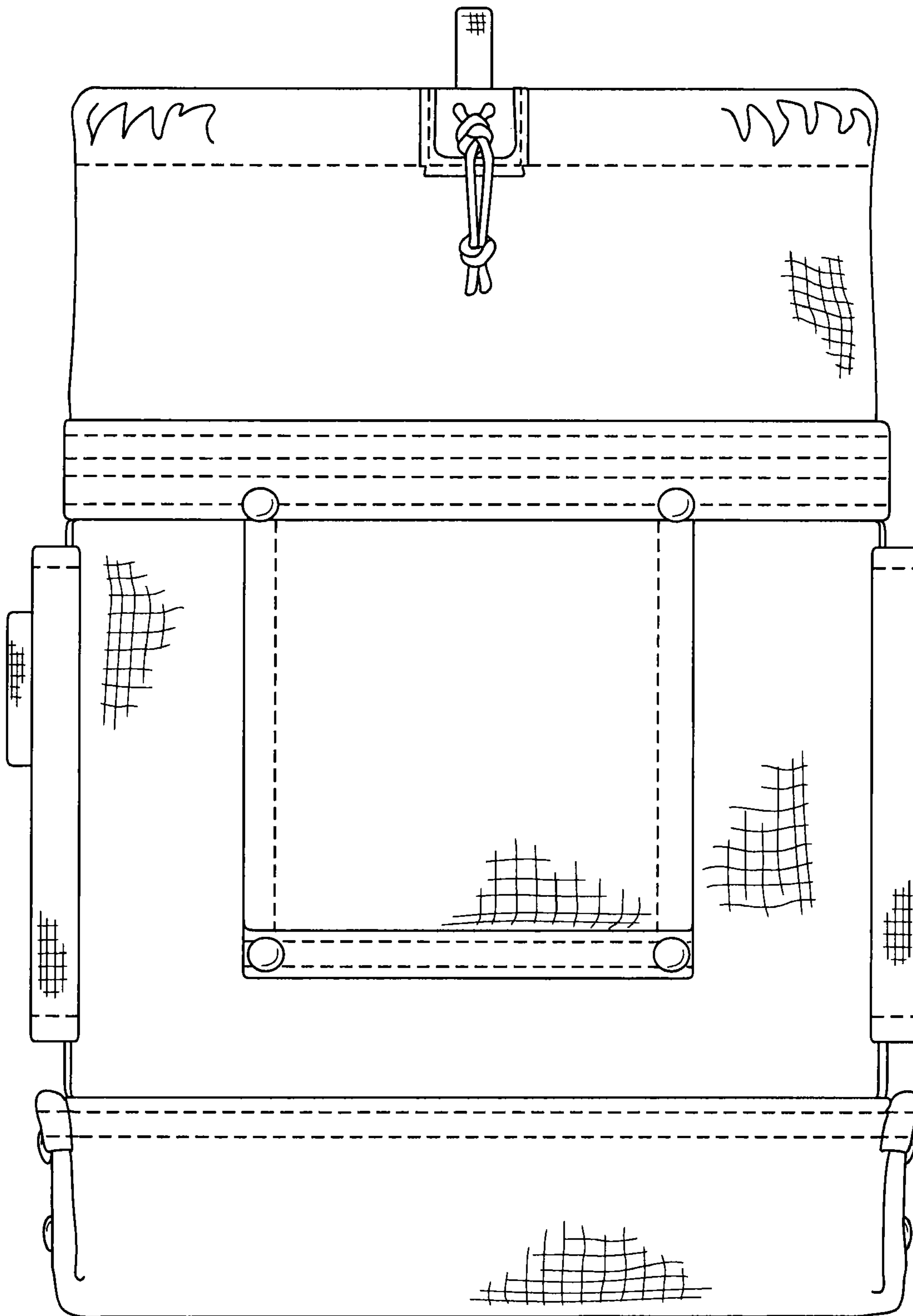


Fig. 7

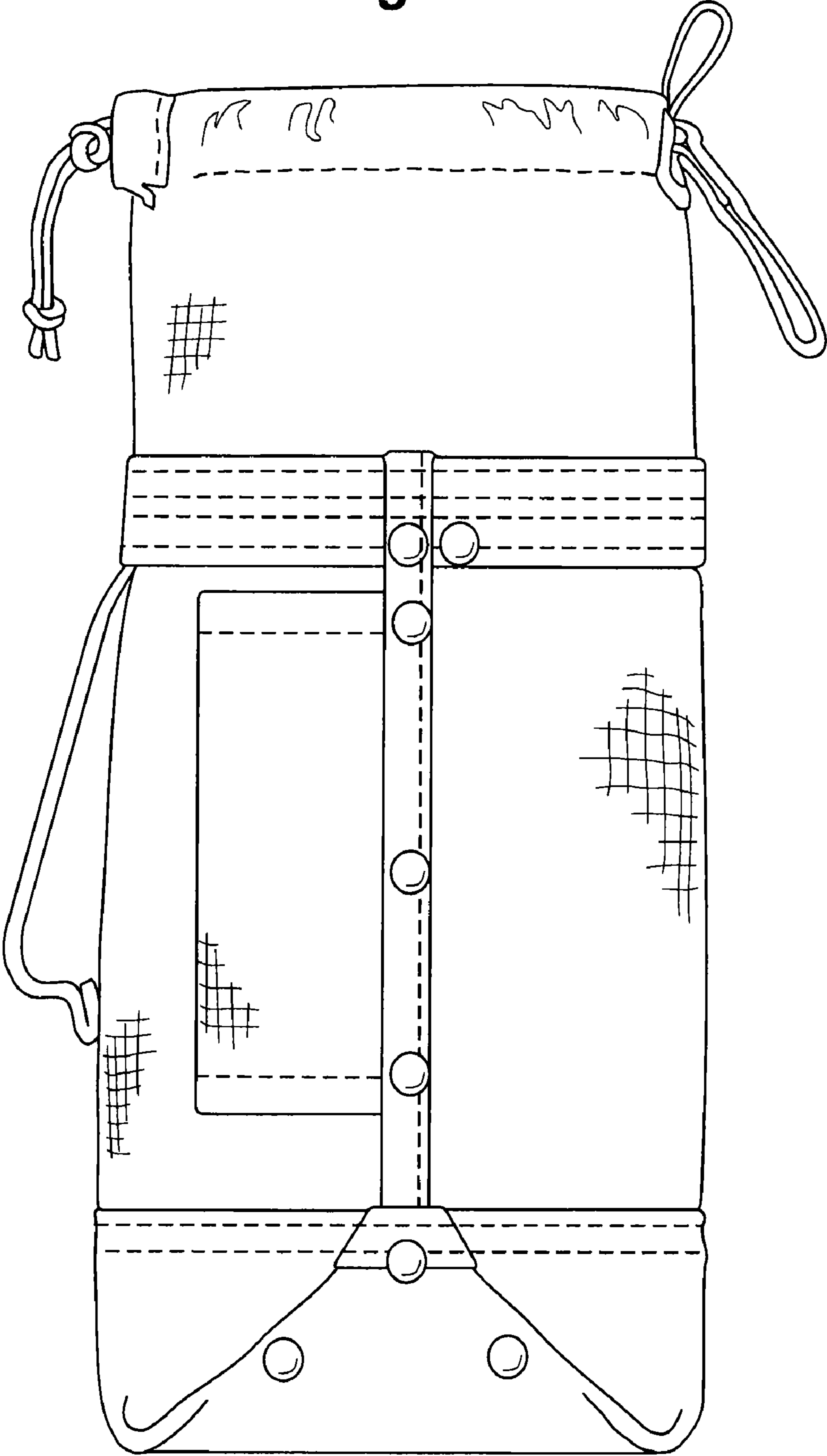


Fig. 8

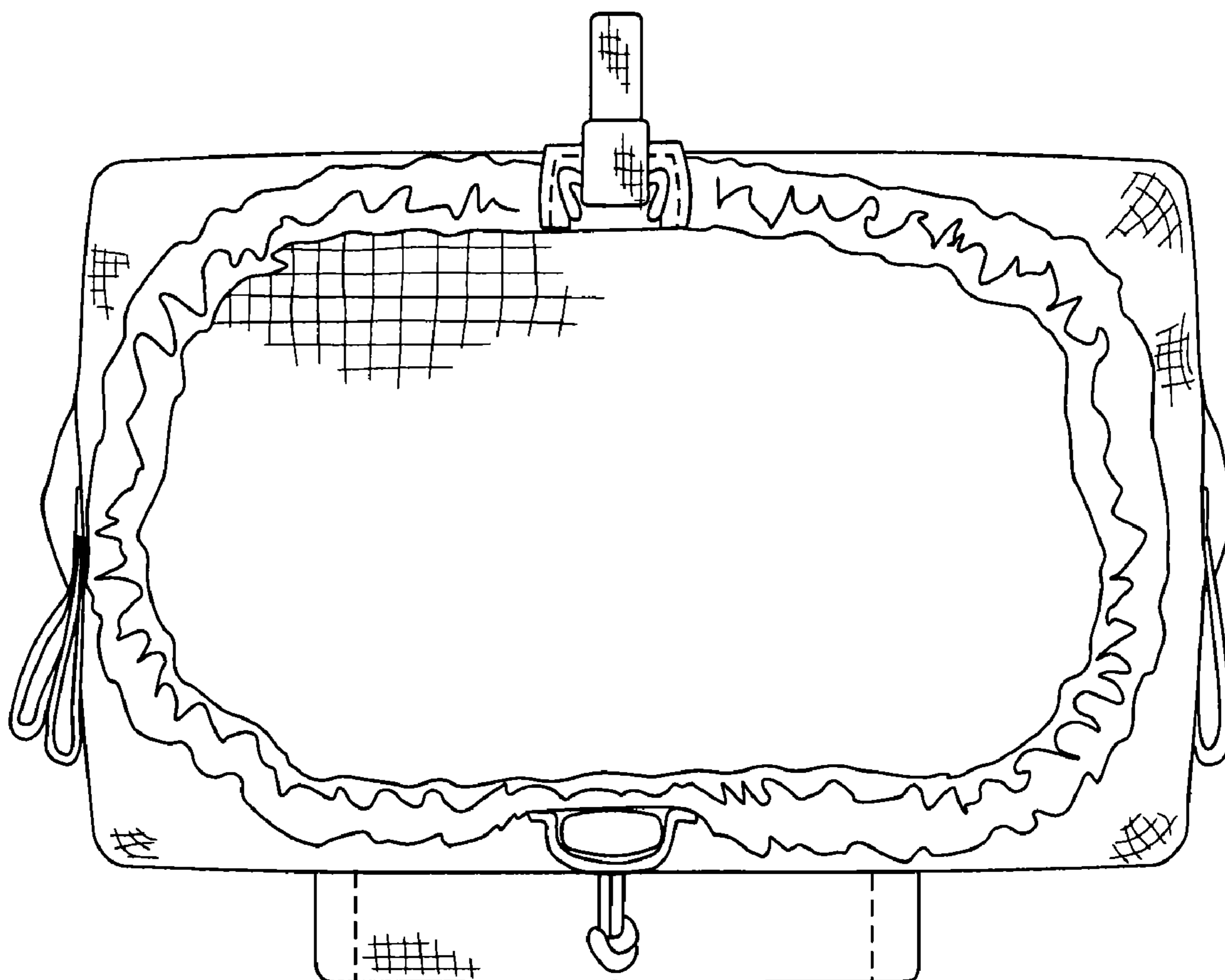


Fig. 9

