



US00D615753S

(12) **United States Design Patent**
Pomerantz

(10) **Patent No.:** **US D615,753 S**

(45) **Date of Patent:** **** May 18, 2010**

(54) **ATHLETIC UTILITY BELT**

2008/0190980 A1 8/2008 Overton

* cited by examiner

(76) Inventor: **Shifra Pomerantz**, 21388 Marina Cove Cir., Unit G17, Aventura, FL (US) 33180

Primary Examiner—Catherine R Oliver

(74) *Attorney, Agent, or Firm*—Feldman Gale, P.A.; Michael C. Cesarano

(**) Term: **14 Years**

(21) Appl. No.: **29/341,675**

(57) **CLAIM**

(22) Filed: **Aug. 11, 2009**

The ornamental design for an “athletic utility belt,” as shown and described.

(51) **LOC (9) Cl.** **03-01**

(52) **U.S. Cl.** **D3/221**

(58) **Field of Classification Search** D3/221,
D3/215, 224, 226, 228, 257, 245, 232–233;
224/240–241, 236, 245, 901, 919, 674, 677,
224/235, 581, 583, 660; D2/627–632

DESCRIPTION

FIG. 1 is a front view of the design of an athletic utility belt.

FIG. 2 is a rear view of the design.

FIG. 3 is a left side view of the design.

FIG. 4 is a right side view of the design.

FIG. 5 is a top view of the design.

FIG. 6 is a bottom view of the design.

FIG. 7 is a front, left, upper perspective view of the design; and,

FIG. 8 is a rear, right, upper perspective view of the design.

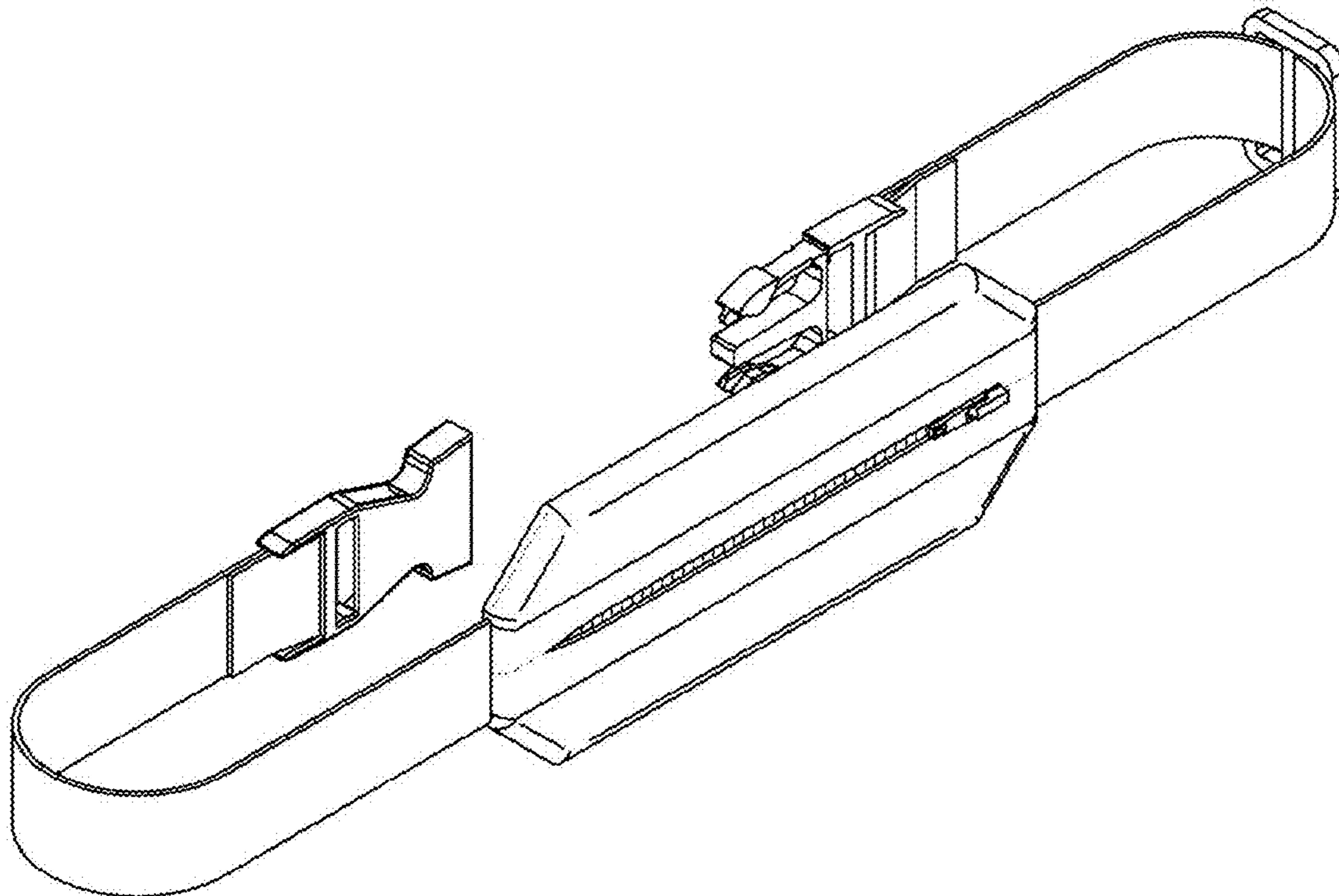
See application file for complete search history.

(56) **References Cited**

U.S. PATENT DOCUMENTS

- D497,715 S * 11/2004 Saltarelli D3/226
- D553,853 S * 10/2007 Willows et al. D3/226
- D586,552 S * 2/2009 Shumate D3/221

1 Claim, 5 Drawing Sheets



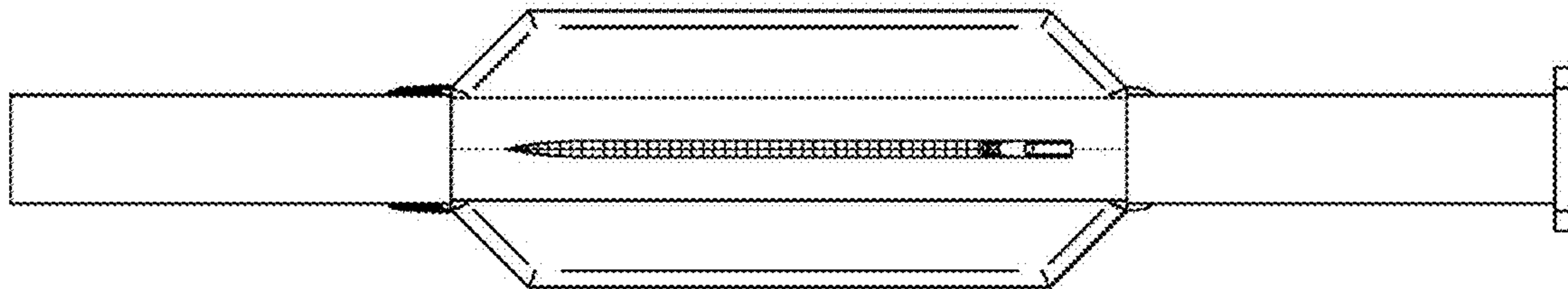


Fig. 1

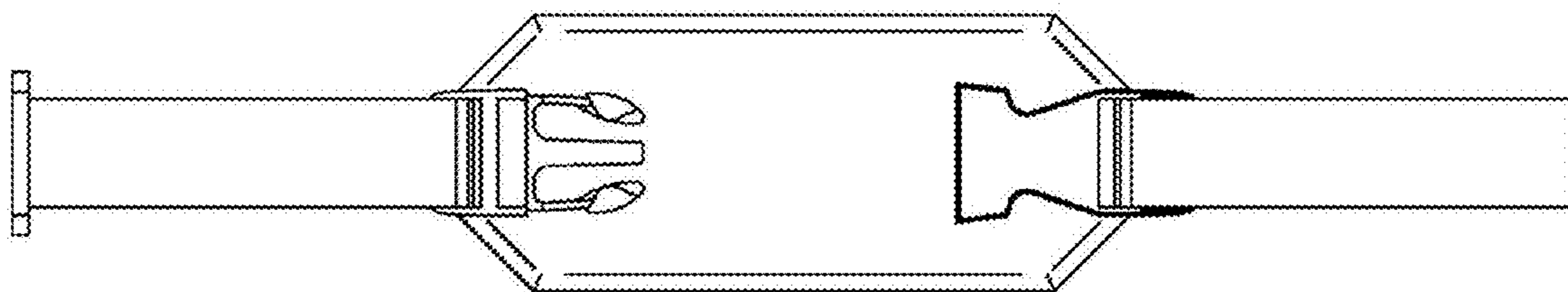


Fig. 2

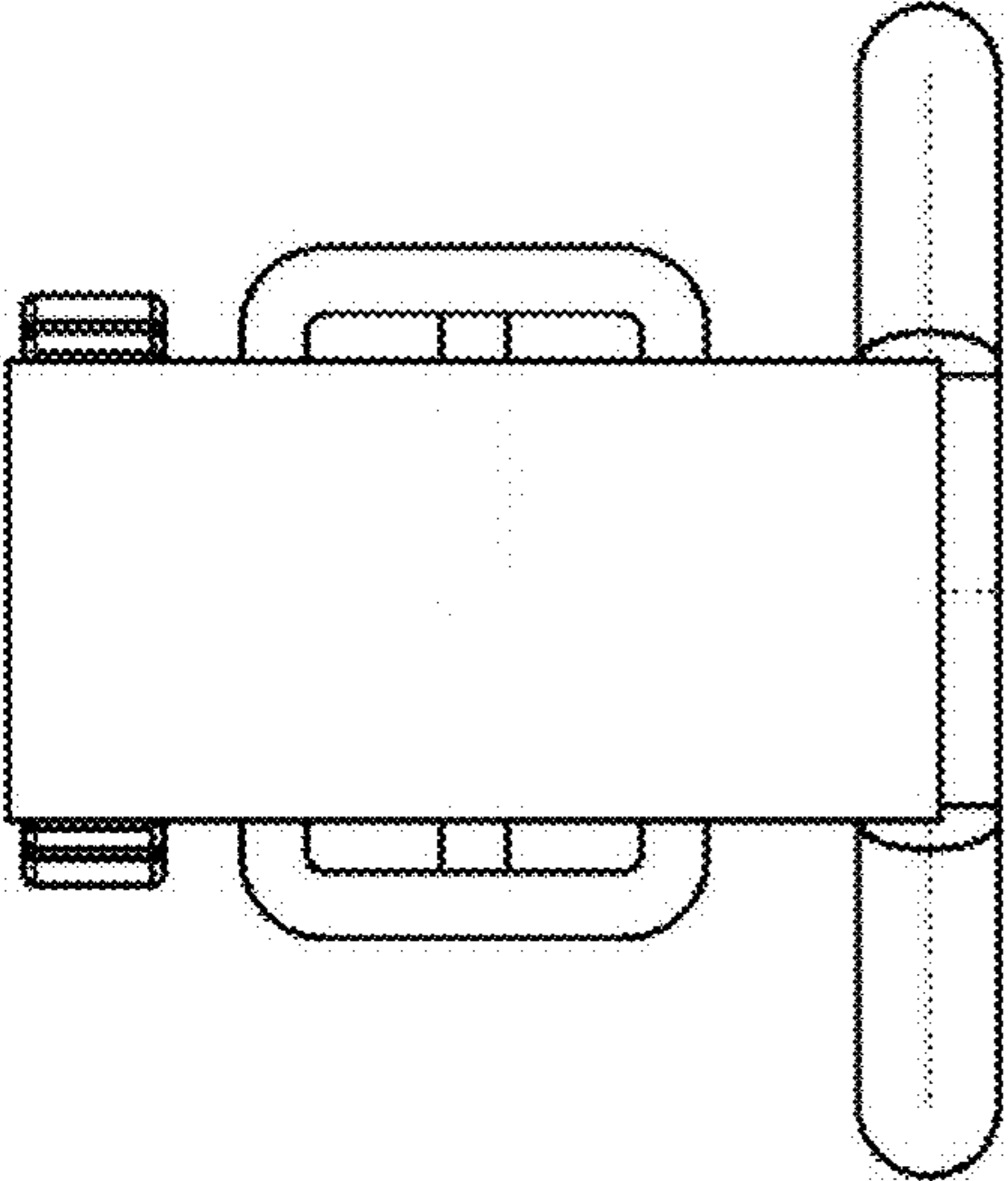


Fig. 3

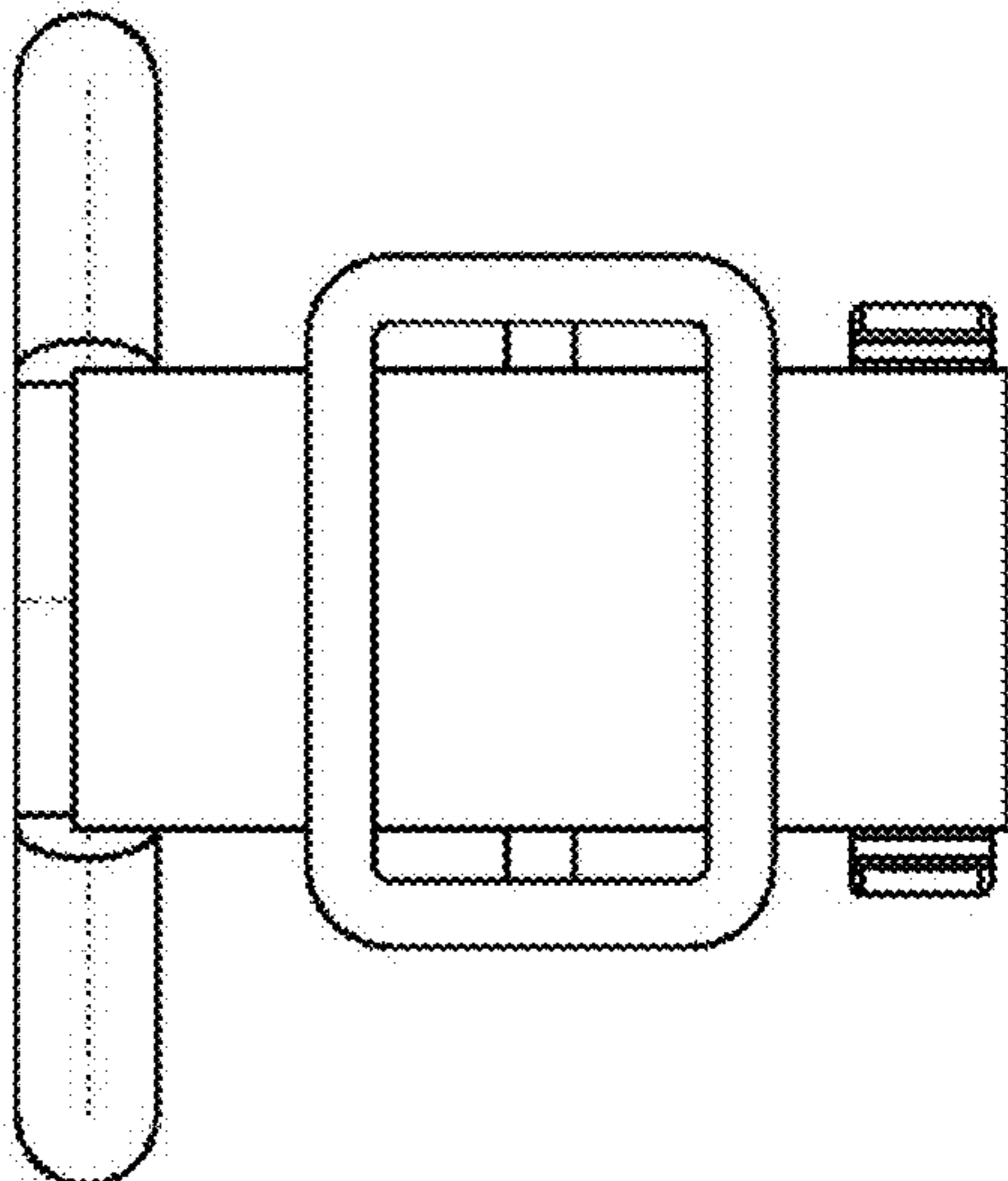


Fig. 4

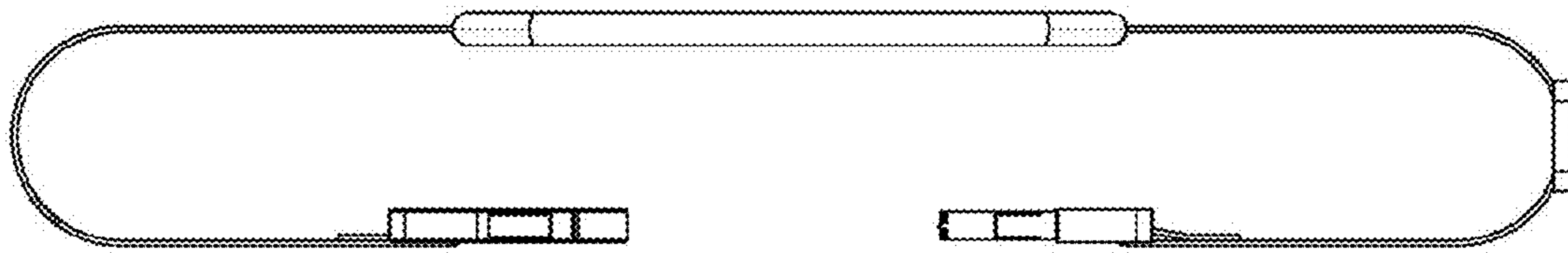


Fig. 5

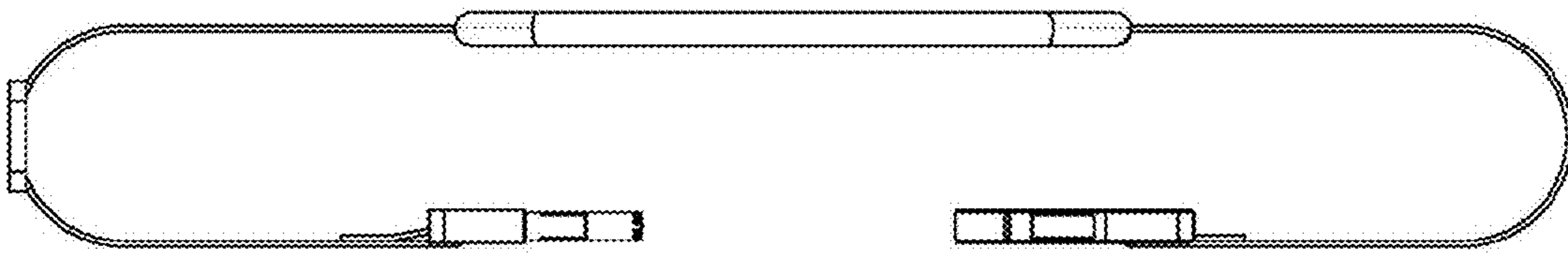


Fig. 6

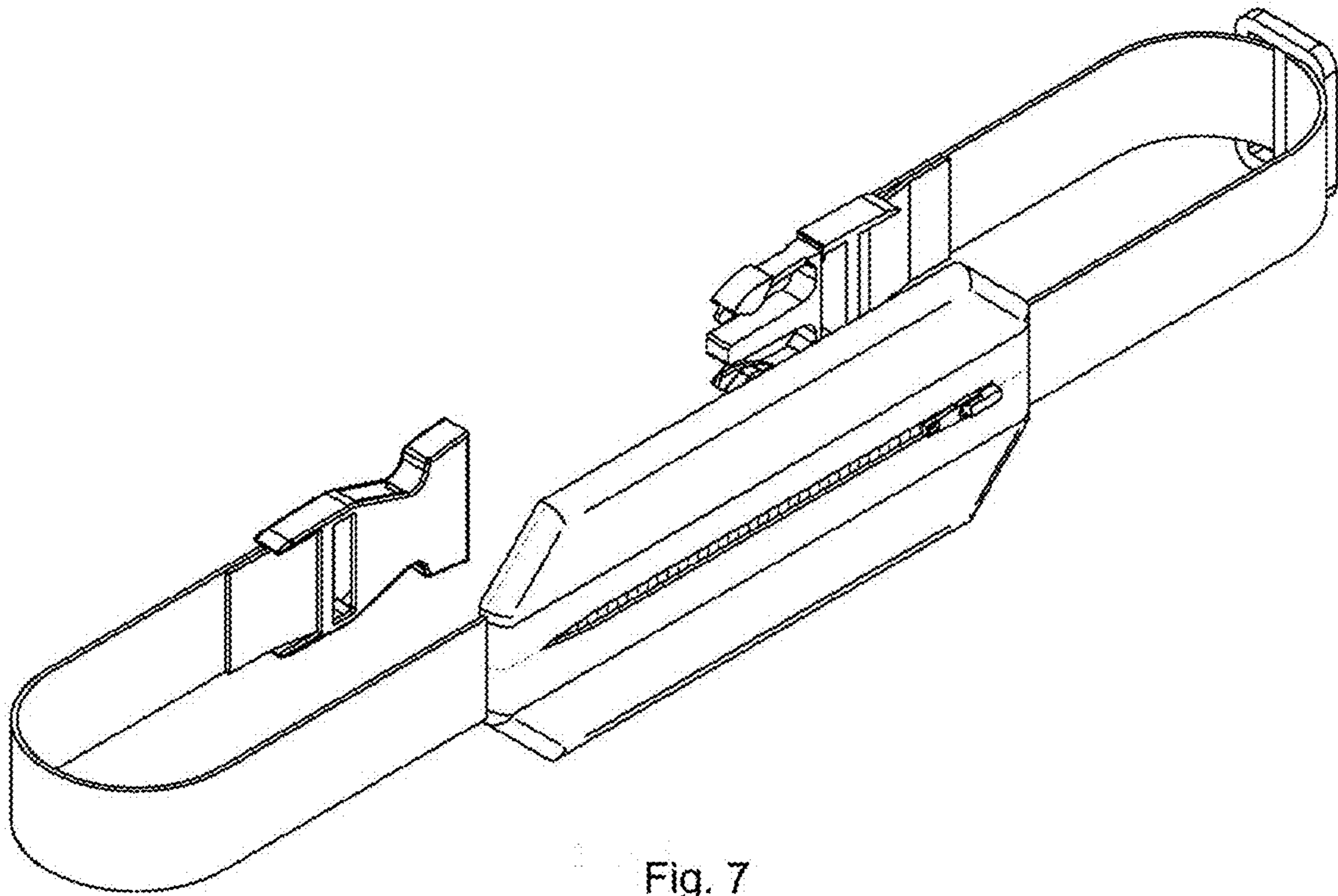


Fig. 7

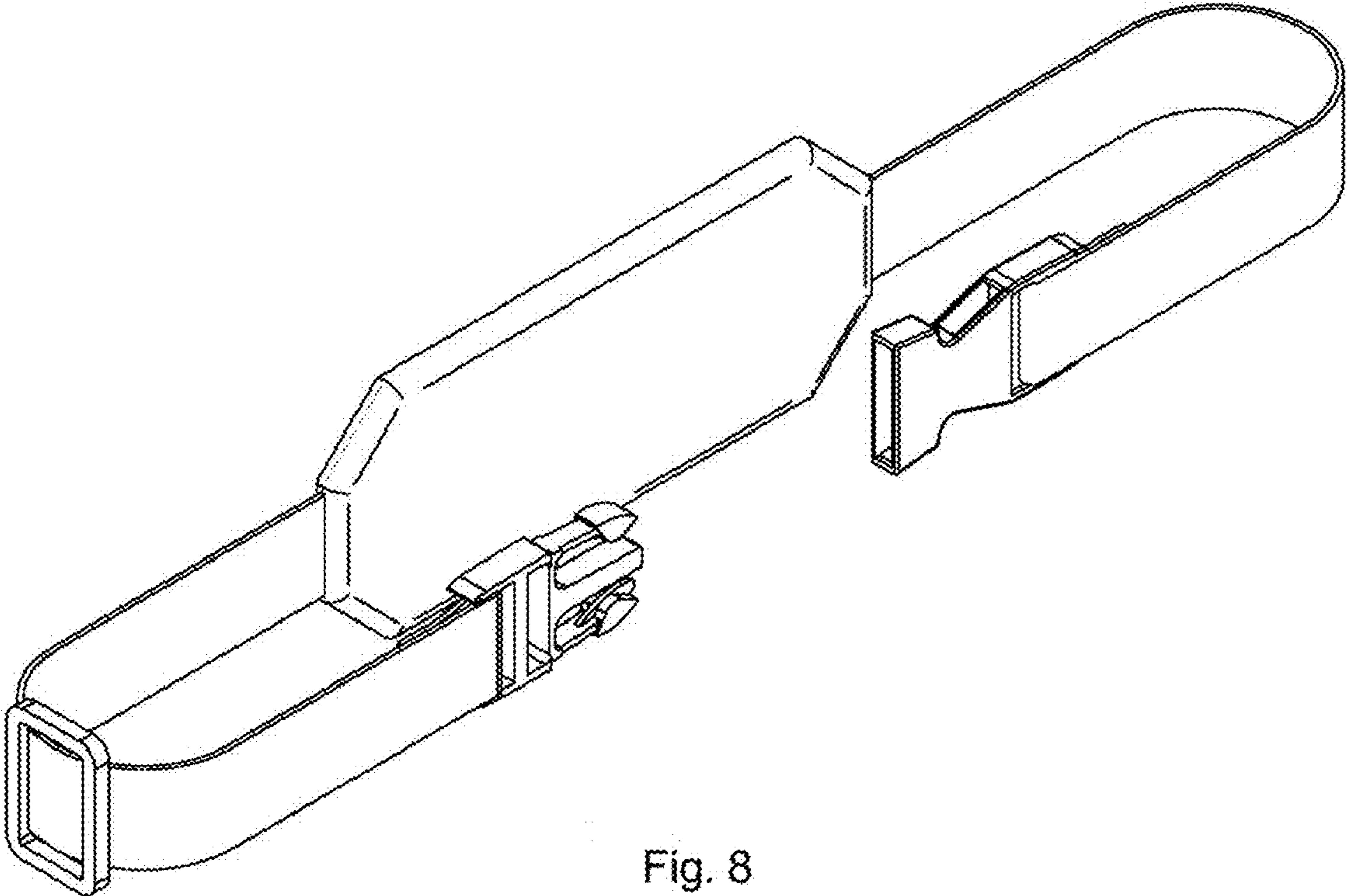


Fig. 8