



US00D615748S

(12) **United States Design Patent**
Glaser

(10) **Patent No.:** **US D615,748 S**

(45) **Date of Patent:** **** May 18, 2010**

(54) **KEYCHAIN**

(75) Inventor: **Ken Glaser**, San Francisco, CA (US)

(73) Assignee: **Smith News Company, Inc.**, San Francisco, CA (US)

(**) Term: **14 Years**

(21) Appl. No.: **29/316,574**

(22) Filed: **Oct. 8, 2009**

Related U.S. Application Data

(63) Continuation-in-part of application No. 29/310,487, filed on Sep. 29, 2008.

(51) **LOC (9) Cl.** **03-01**

(52) **U.S. Cl.** **D3/207**

(58) **Field of Classification Search** D11/1-2,
D11/14, 26-29, 89-92, 44, 48, 81, 99; 63/26-28,
63/32; D3/207-211; D8/38

See application file for complete search history.

(56) **References Cited**

U.S. PATENT DOCUMENTS

D269,523	S	*	6/1983	Burge	D17/14
D269,974	S	*	8/1983	Erlewine et al.	D17/14
D270,046	S	*	8/1983	Burkheimer	D11/79
D444,941	S	*	7/2001	Pisarevsky	D3/207
D447,332	S	*	9/2001	Pisarevsky	D3/207
D449,500	S	*	10/2001	Kelleghan	D8/38
D501,395	S	*	2/2005	Kelleghan	D8/356
D510,382	S	*	10/2005	Norsworthy	D17/14
D516,607	S	*	3/2006	Dawson et al.	D17/20
D524,784	S	*	7/2006	Beard	D14/138 R
D544,767	S	*	6/2007	Kelleghan	D8/38
D584,984	S	*	1/2009	Morris	D11/14

* cited by examiner

Primary Examiner—Ralf Seifert

(74) *Attorney, Agent, or Firm*—H. Michael Brucker

(57) **CLAIM**

The ornamental design for a keychain, as shown.

DESCRIPTION

FIG. 1 is a top left front perspective view of a keychain showing my new design;

FIG. 2 is a front elevational view;

FIG. 3 is a right side elevational view, the left side view being mirror image thereof;

FIG. 4 is a top plan view;

FIG. 5 is a bottom plan view;

FIG. 6 is a front elevational view with the spinner shown in a rotated position;

FIG. 7 is a bottom plan view with the spinner shown in a rotated position;

FIG. 8 is a top left front perspective view of a keychain showing a second embodiment of my new design;

FIG. 9 is a front elevation view of FIG. 8;

FIG. 10 is a right side elevational view of FIG. 8, the left side view being mirror image thereof;

FIG. 11 is a top plan view of FIG. 8;

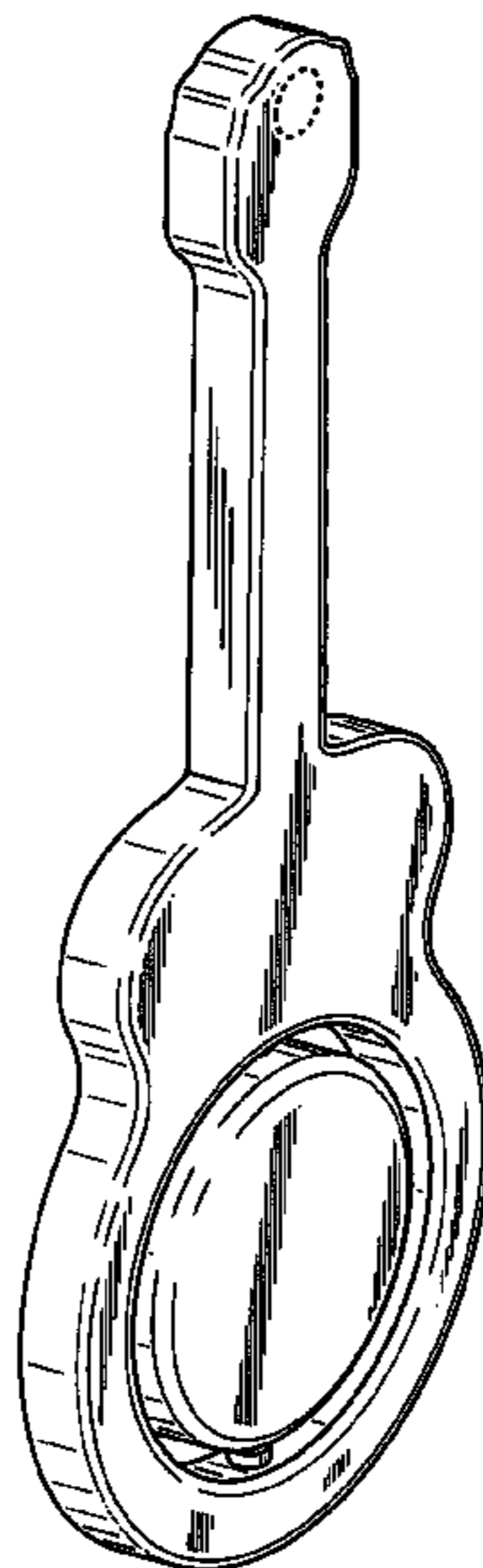
FIG. 12 is a bottom plan view of FIG. 8;

FIG. 13 is a front elevational view of FIG. 8 with the spinner shown in a rotated position; and,

FIG. 14 is a bottom plan view of FIG. 8 with the spinner shown in a rotated position.

The broken line showing of an aperture is included for the purpose of illustrating environmental matter and forms no part of the claimed design.

1 Claim, 4 Drawing Sheets



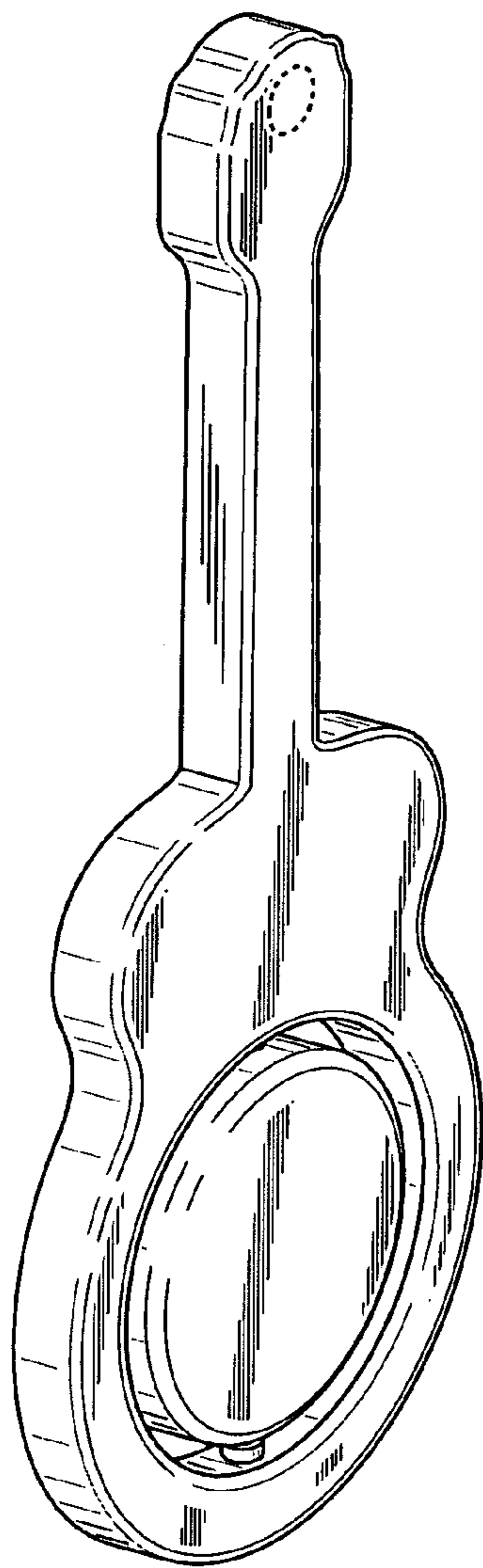


FIG. 1

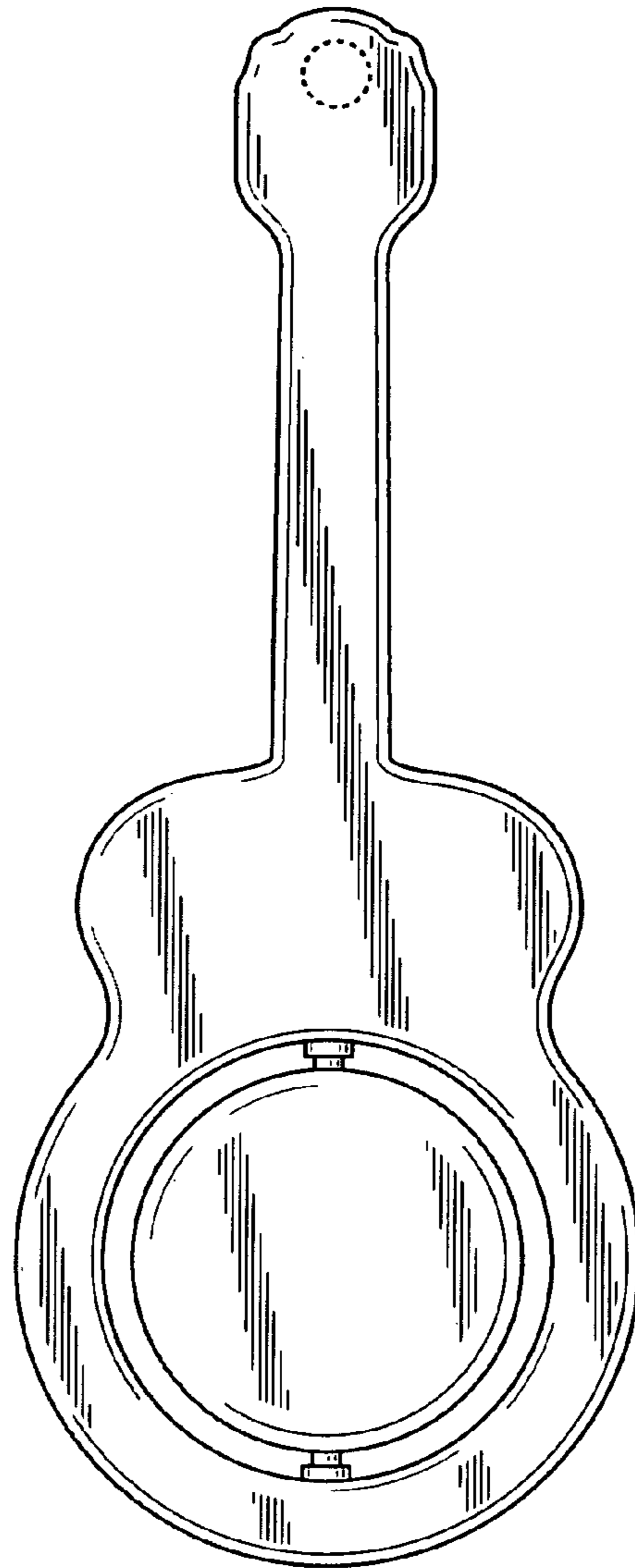


FIG. 2



FIG. 3

FIG. 4

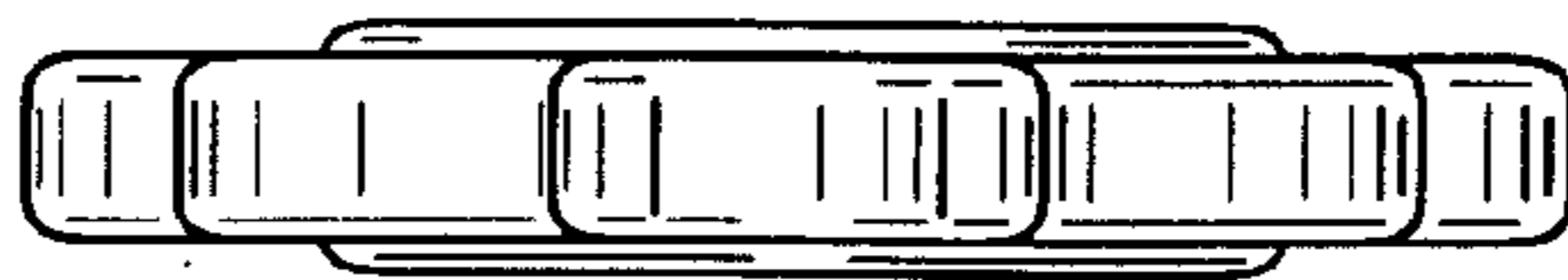
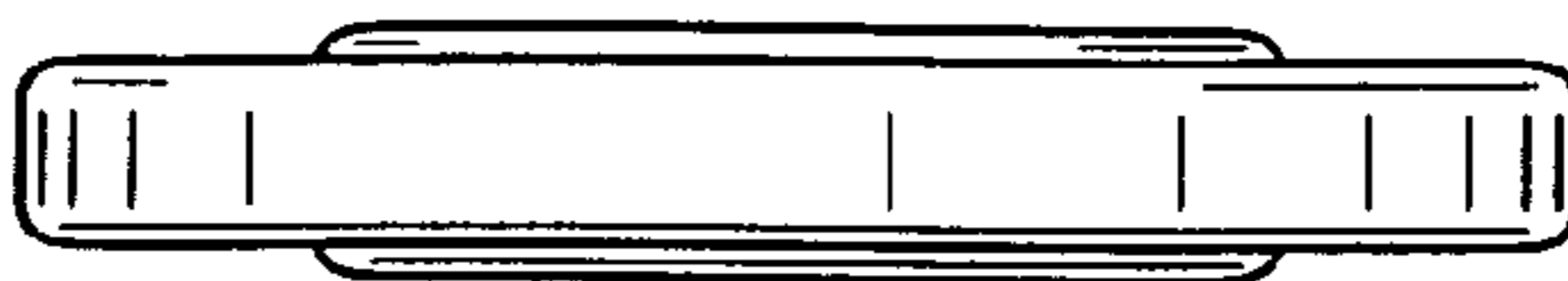


FIG. 5



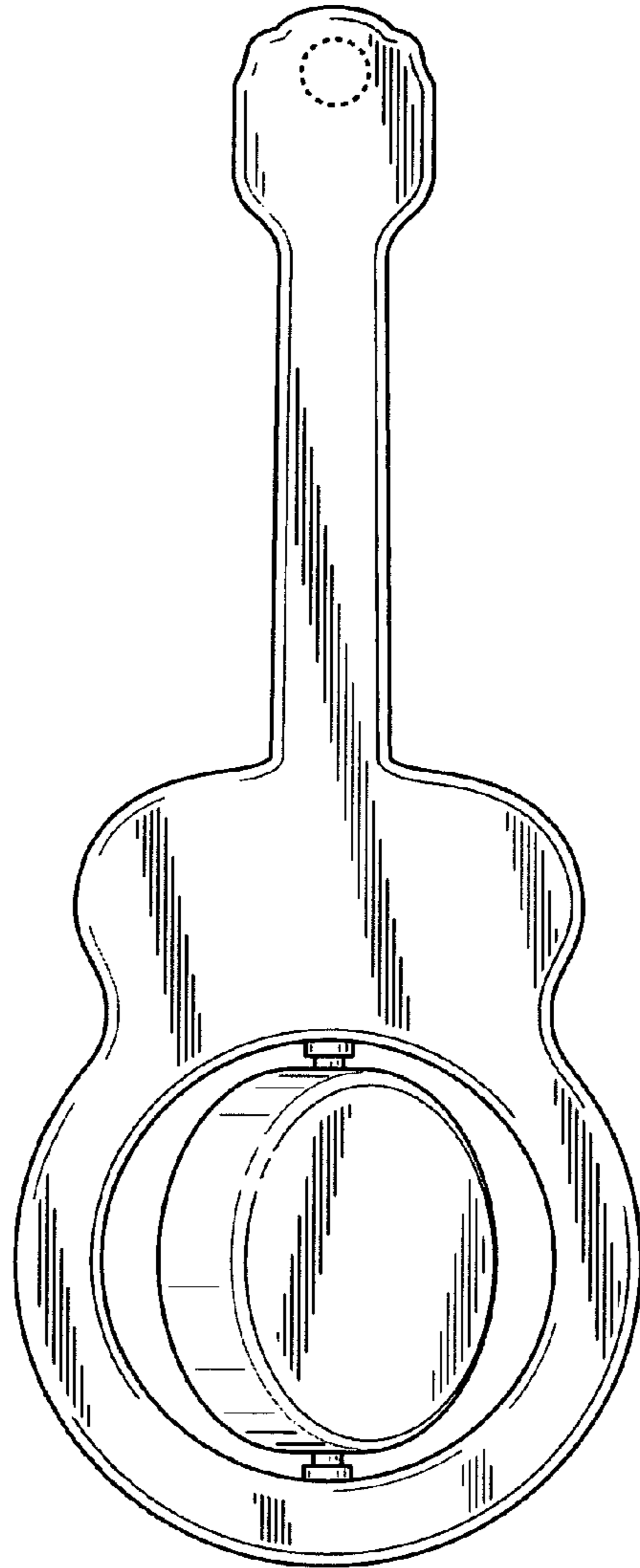


FIG. 6

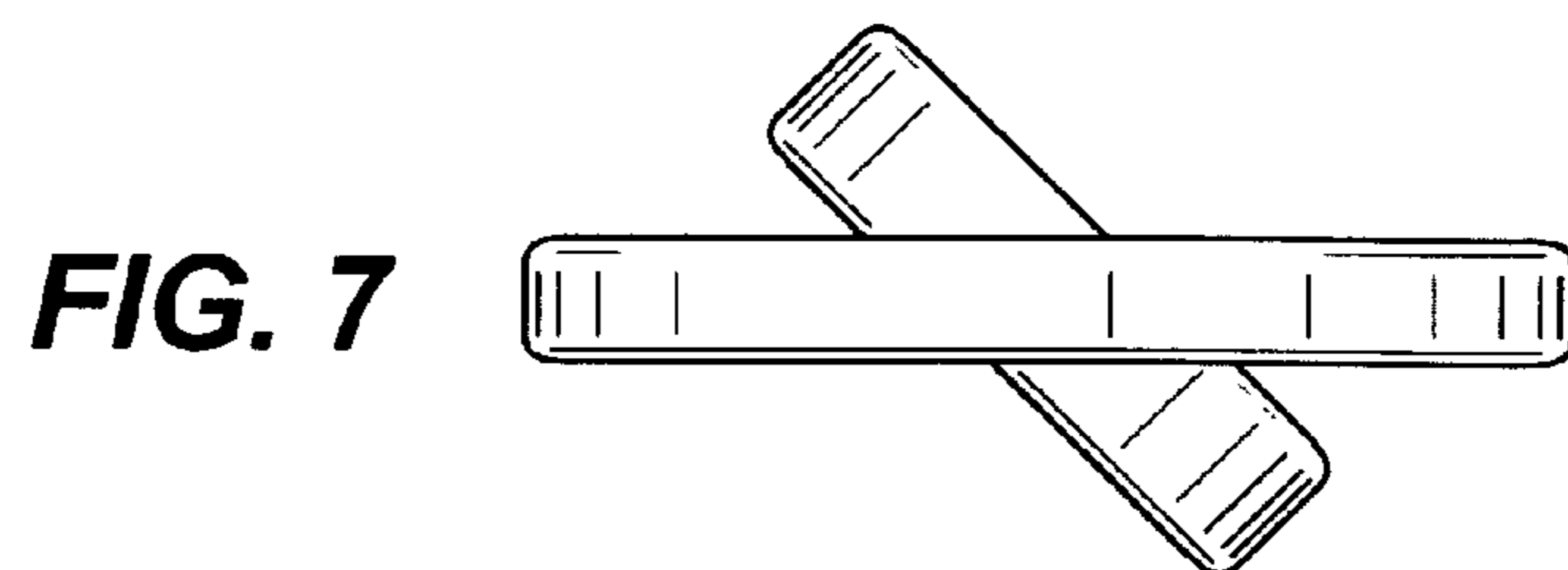


FIG. 7

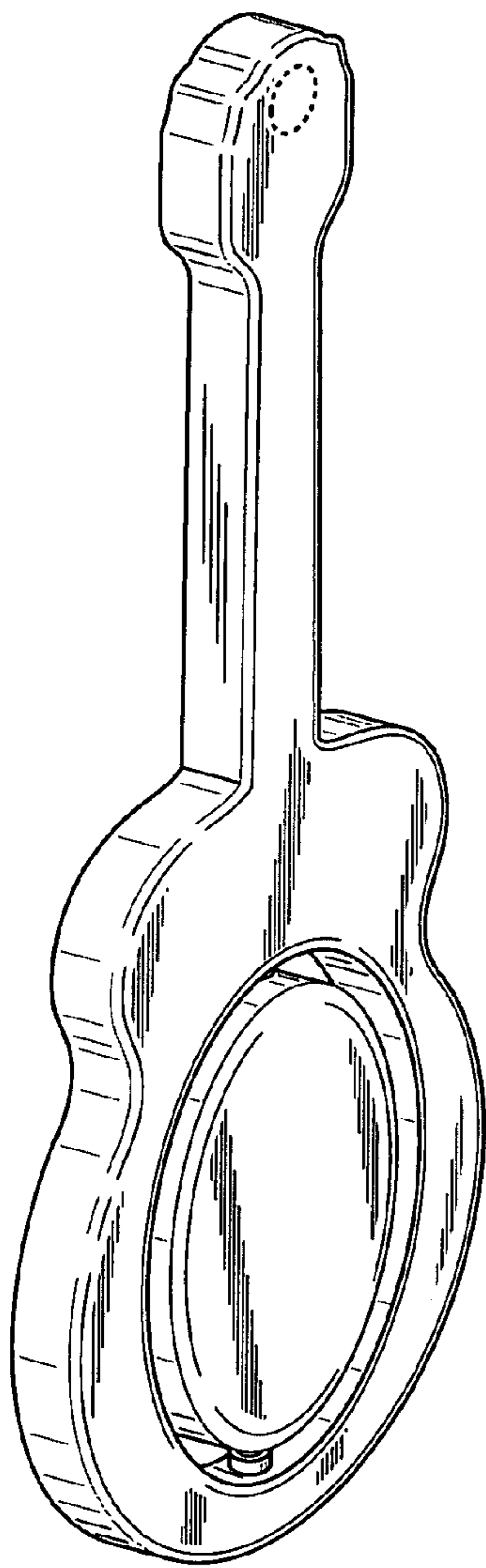


FIG. 8

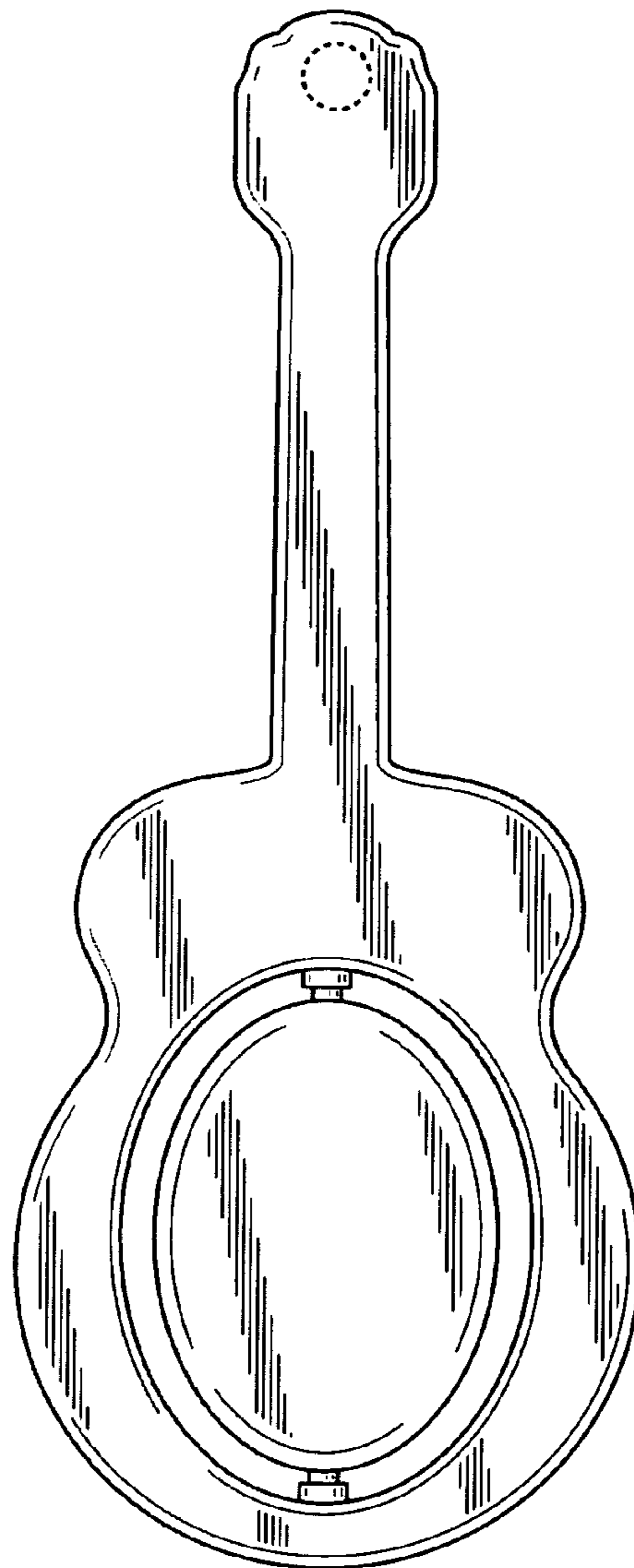
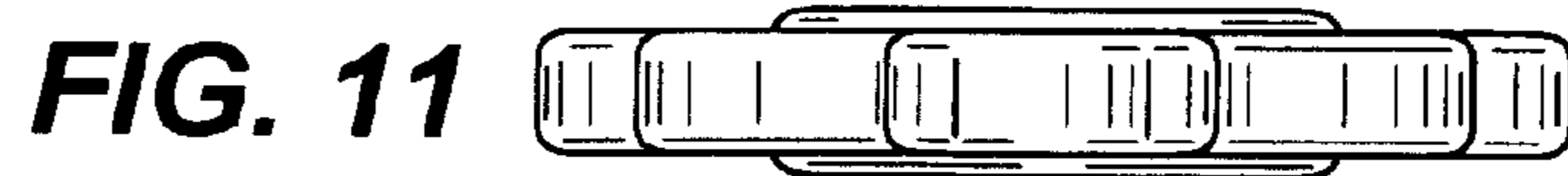


FIG. 9



FIG. 10



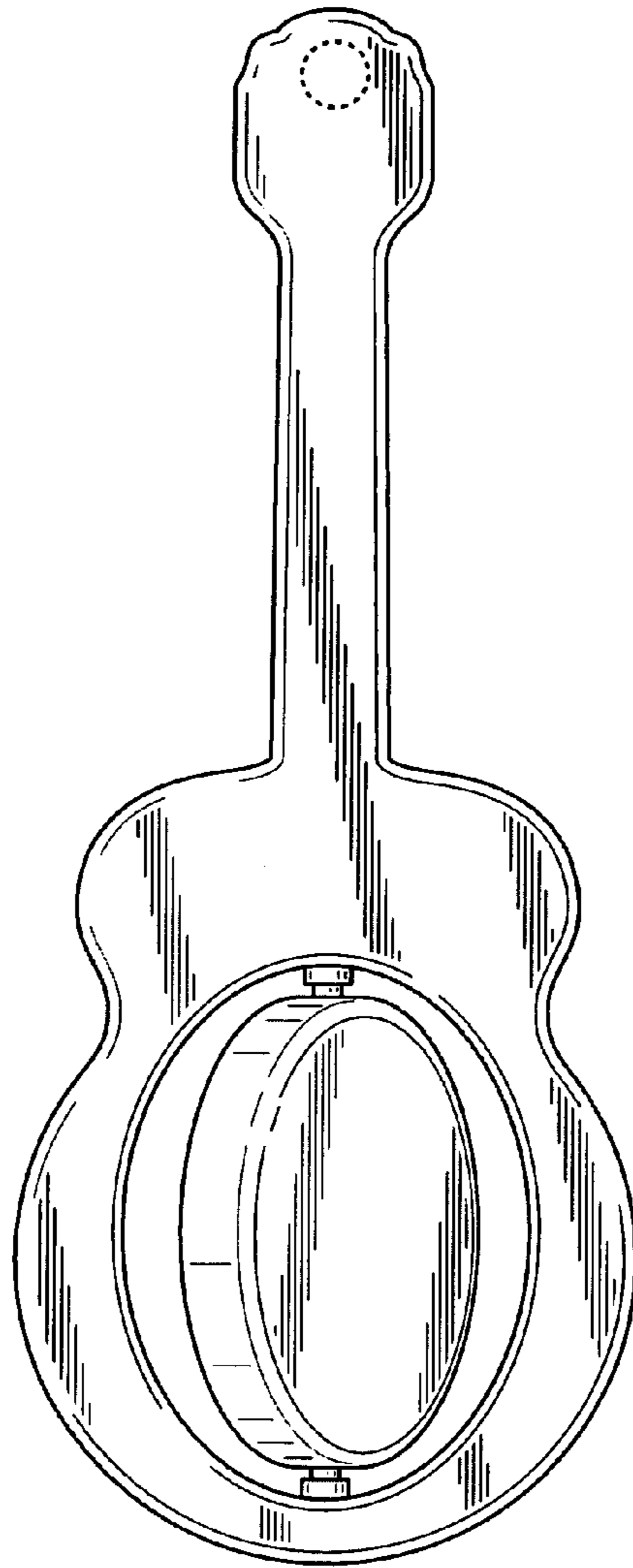


FIG. 13

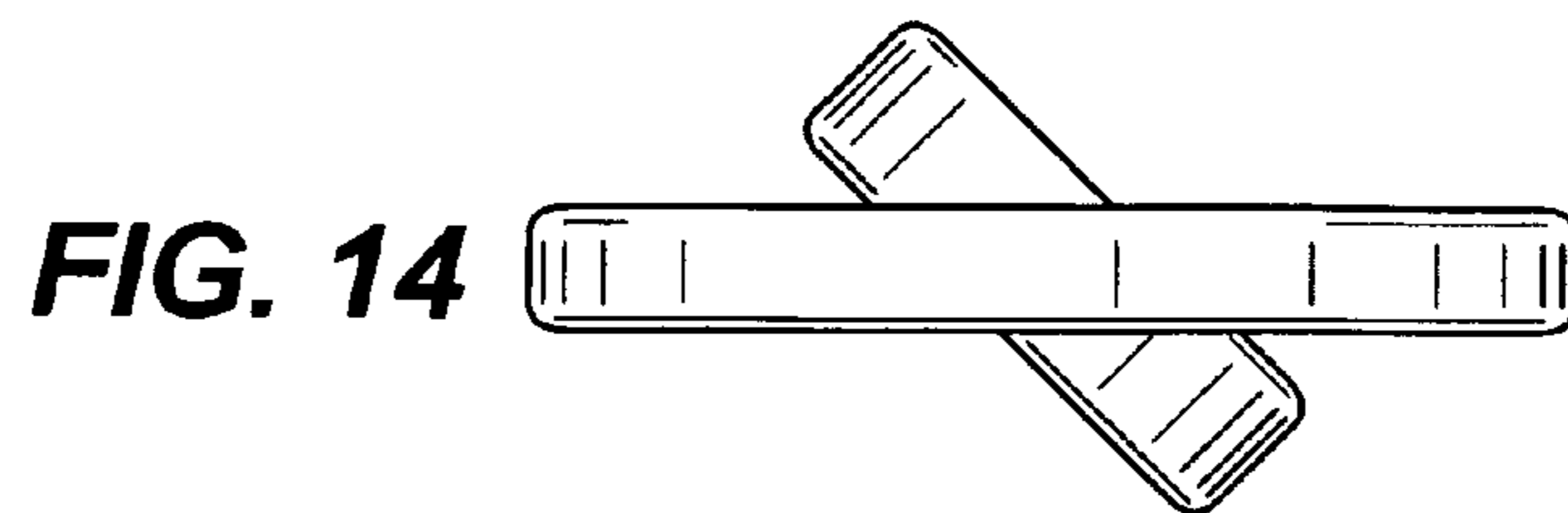


FIG. 14