



US00D615747S

(12) **United States Design Patent**  
**Lindhahl**

(10) **Patent No.:** **US D615,747 S**

(45) **Date of Patent:** **\*\* May 18, 2010**

(54) **KNITTING NEEDLE WITH ERGONOMIC CONFIGURATION**

(76) Inventor: **Sandra Kay Lindahl**, 503 - 72nd St.,  
Holmes Beach, FL (US) 34217

(\*\*) Term: **14 Years**

(21) Appl. No.: **29/325,343**

(22) Filed: **Sep. 29, 2008**

(51) **LOC (9) Cl.** ..... **02-07**

(52) **U.S. Cl.** ..... **D3/28**

(58) **Field of Classification Search** ..... D3/18-29;  
66/1 A, 6, 116-118, 123; 223/102, 103;  
289/16, 17, 18.1

See application file for complete search history.

(56) **References Cited**

**U.S. PATENT DOCUMENTS**

D54,688	S *	3/1920	Schettel	.....	D3/28
2,341,403	A *	2/1944	Williams	.....	D3/28
D271,062	S *	10/1983	Okada	.....	D3/28
D526,477	S *	8/2006	Jost	.....	D3/28
7,107,796	B1 *	9/2006	Jost	.....	66/1 A

D545,562	S *	7/2007	Feller et al.	.....	D3/28
D599,542	S *	9/2009	Hoffman	.....	D3/28
2006/0026810	A1 *	2/2006	Wizemann	.....	28/115

\* cited by examiner

*Primary Examiner*—T. Chase Nelson

*Assistant Examiner*—Anhdao Doan

(74) *Attorney, Agent, or Firm*—Dorothy S. Morse

(57) **CLAIM**

The ornamental design for a knitting needle with ergonomic configuration, as shown and described.

**DESCRIPTION**

FIG. 1 is a side view of a knitting needle with ergonomic configuration according to my new design;

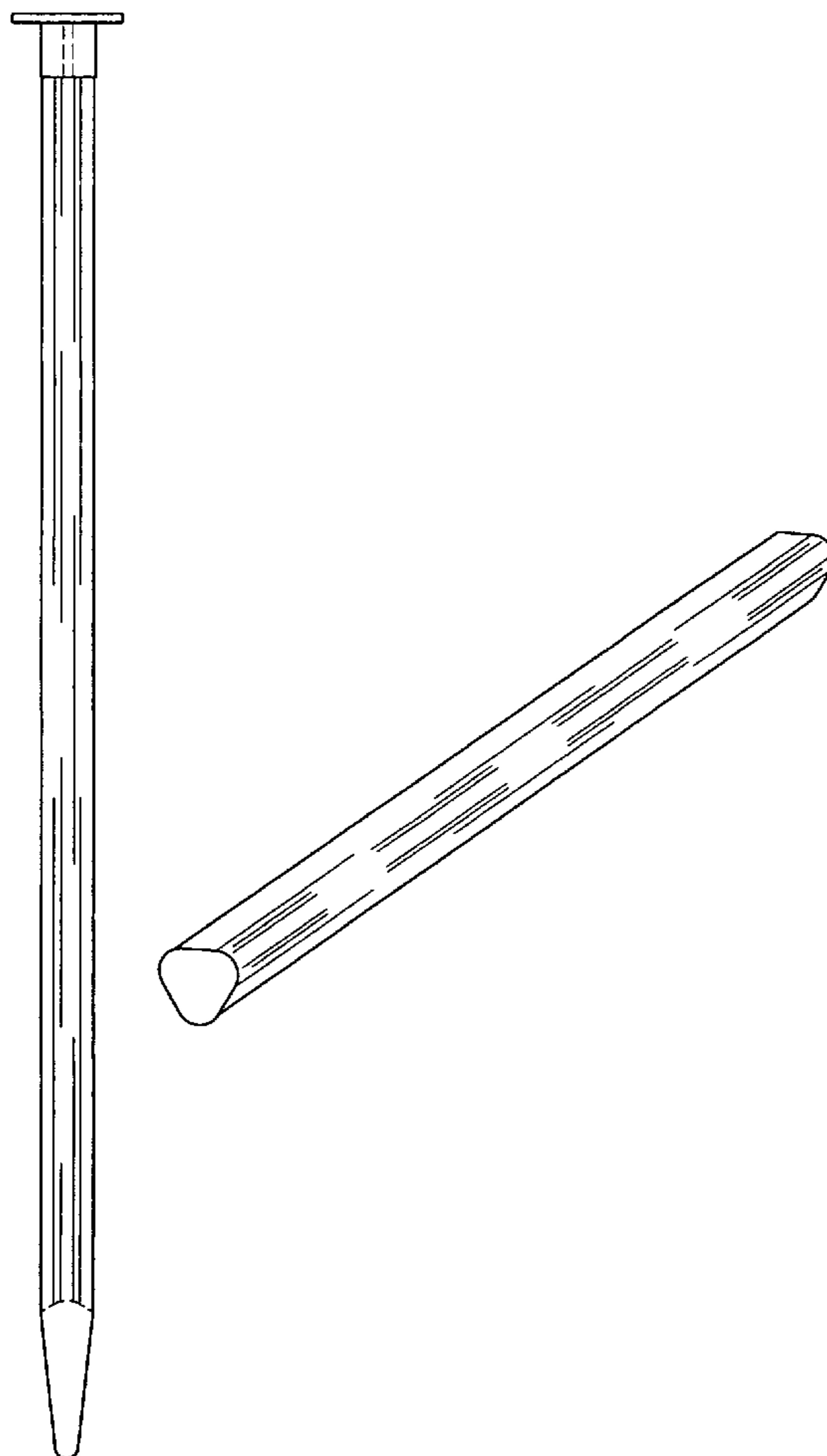
FIG. 2 is a perspective view of the cross-sectional view of the central portion thereof;

FIG. 3 is an enlarged perspective view of the front end thereof;

FIG. 4 is an enlarged top view thereof; and,

FIG. 5 is an enlarged bottom view thereof.

**1 Claim, 2 Drawing Sheets**



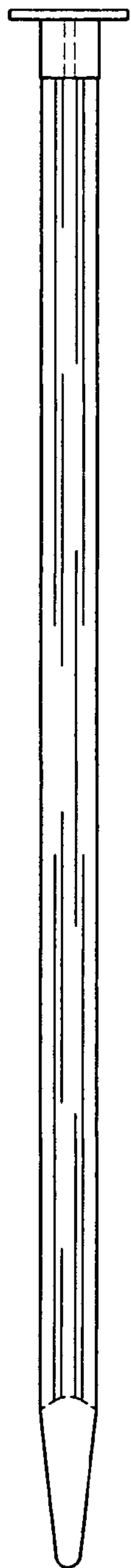


Figure 1

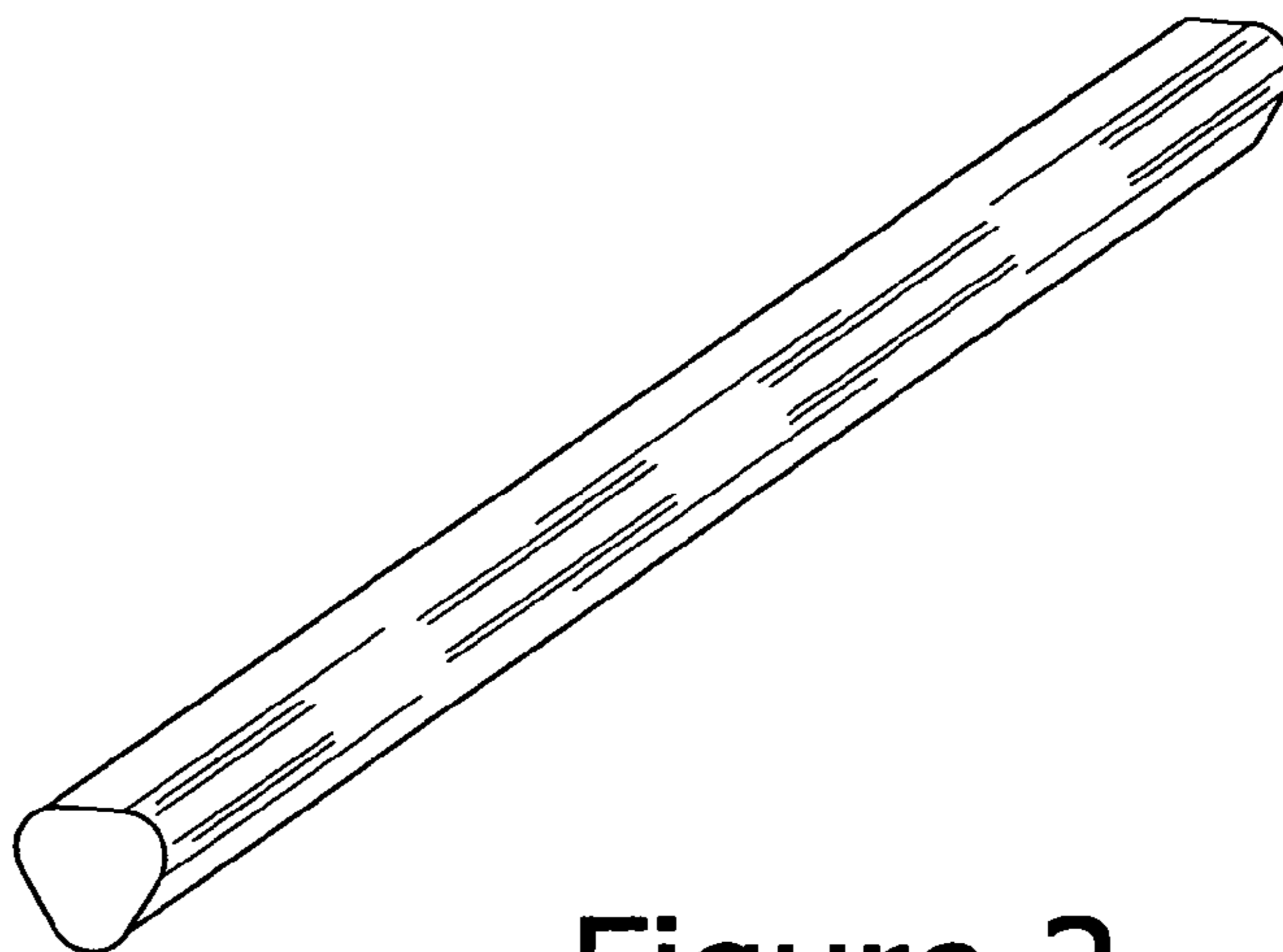


Figure 2

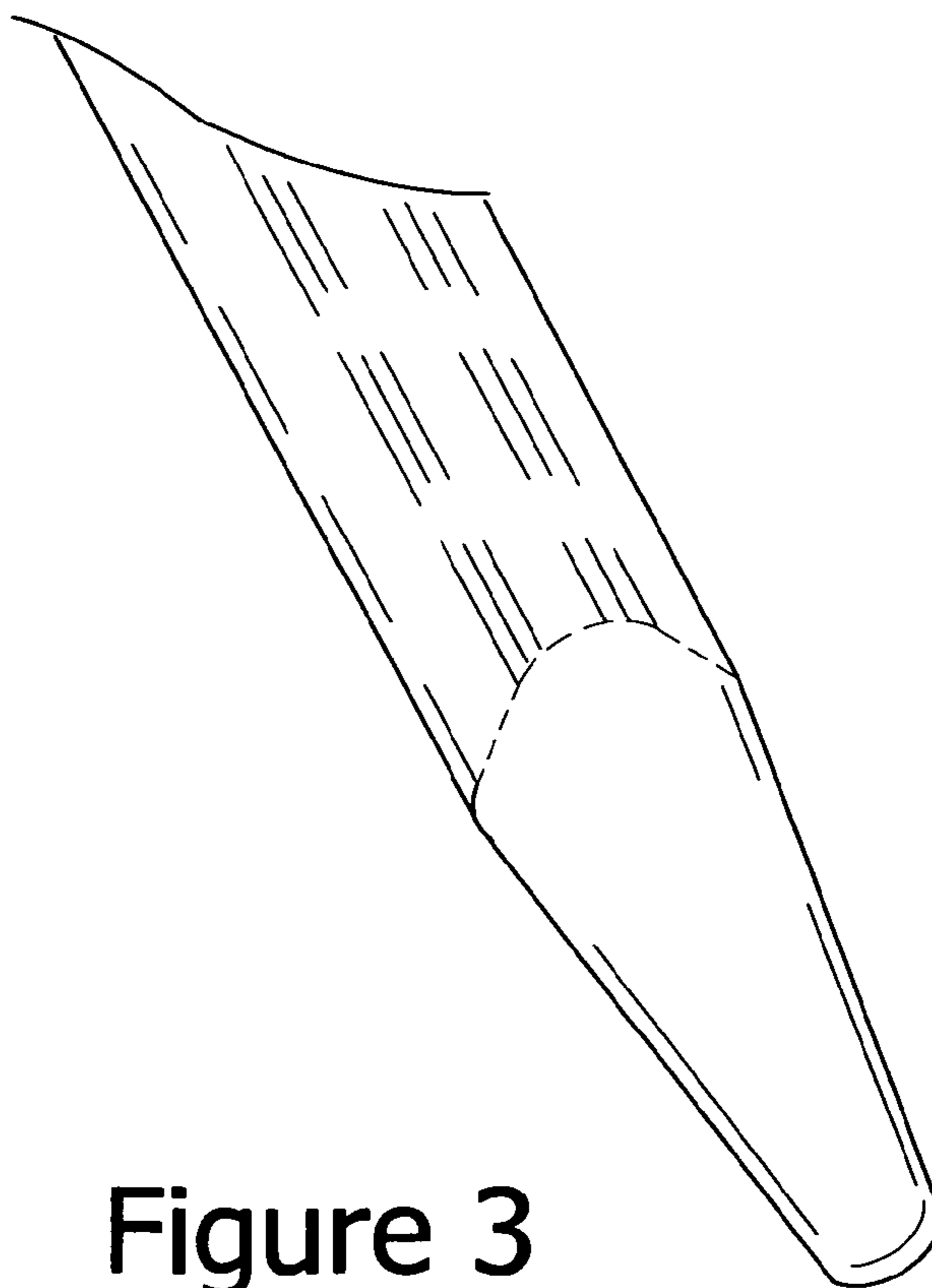


Figure 3

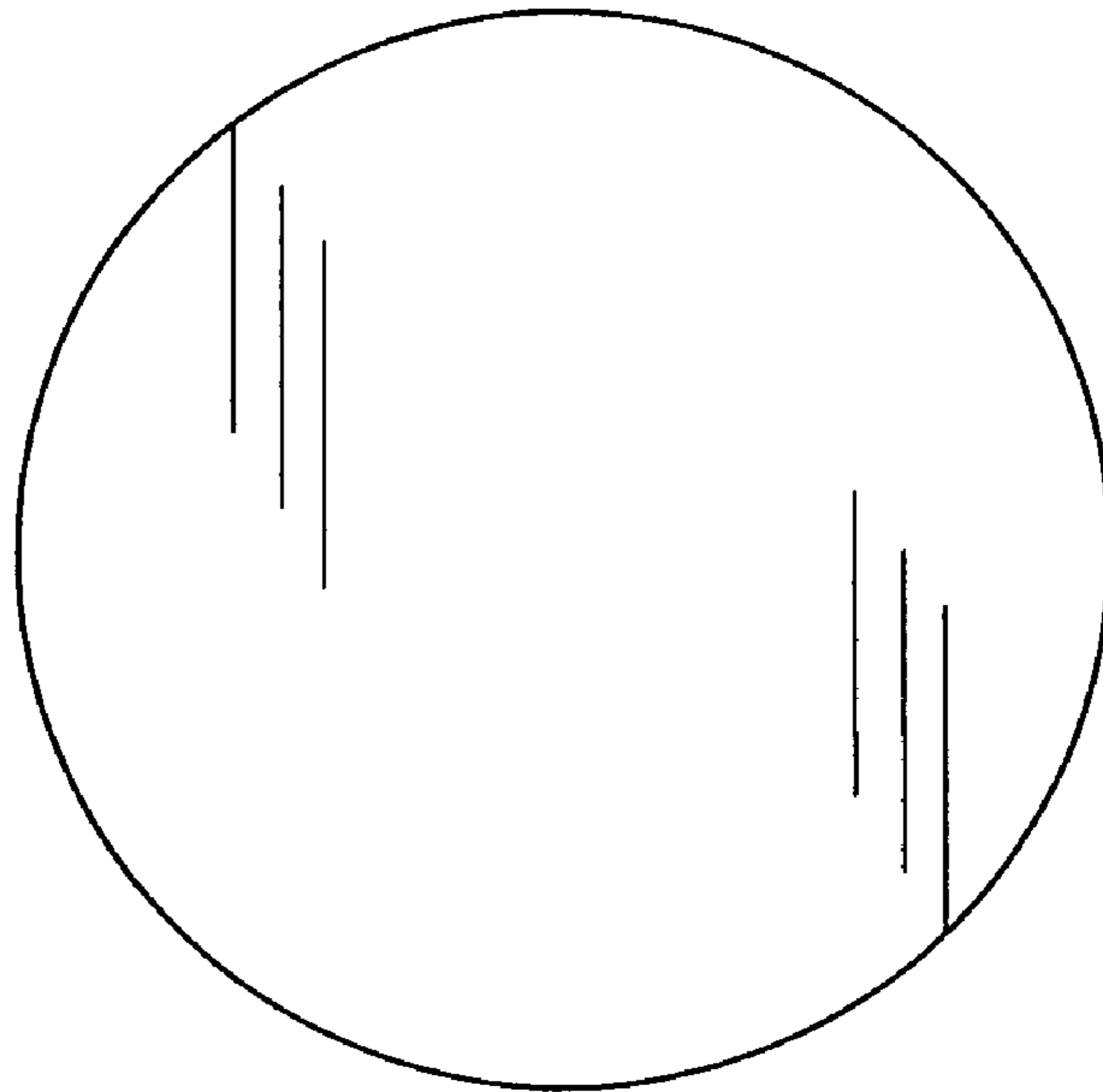


Figure 4

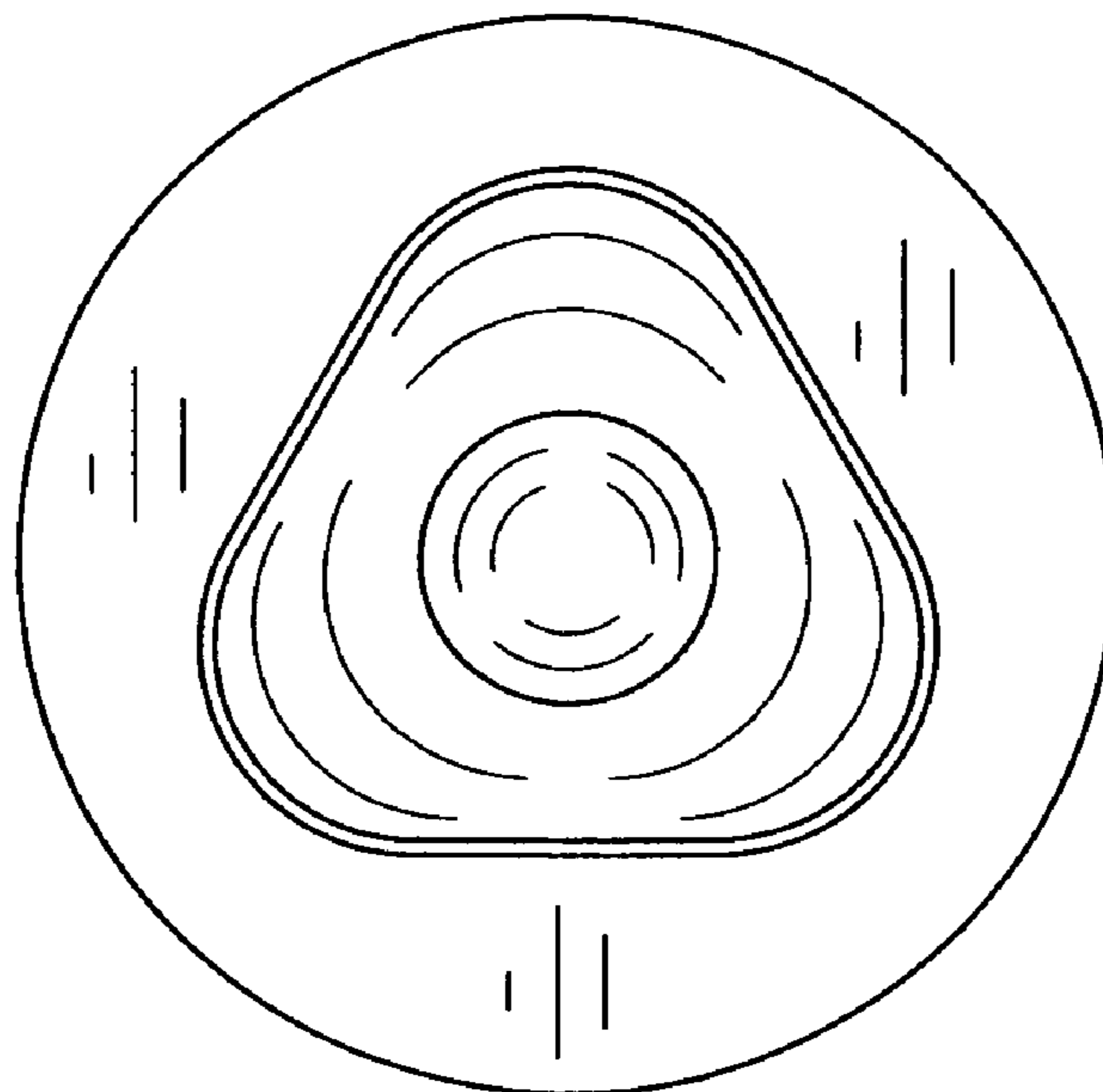


Figure 5