



US00D615743S

(12) **United States Design Patent**
Le

(10) **Patent No.:** **US D615,743 S**

(45) **Date of Patent:** **** May 18, 2010**

(54) **PORTION OF A FOOTWEAR UPPER**

(75) Inventor: **Tuan Le**, Portland, OR (US)

(73) Assignee: **Deckers Outdoor Corporation**, Goleta, CA (US)

(**) Term: **14 Years**

(21) Appl. No.: **29/318,151**

(22) Filed: **May 14, 2008**

(51) **LOC (9) Cl.** **02-99**

(52) **U.S. Cl.** **D2/970; D2/943; D2/946**

(58) **Field of Classification Search** D2/896,
D2/900, 909-911, 943, 946, 969, 970, 974;
36/83, 1.5, 2 R, 109, 3 A, 7.1 R, 45, 52
See application file for complete search history.

(56) **References Cited**

U.S. PATENT DOCUMENTS

D25,429 S	4/1896	Qutaiab	
D79,155 S	8/1929	Manville	
D100,718 S	8/1936	Sholtz	
D101,936 S	11/1936	Craver	
D104,469 S	5/1937	Perugia	
D152,309 S *	1/1949	Williams D2/911
D152,511 S	1/1949	Whatley	
D155,573 S *	10/1949	Bingham D2/910
5,249,375 A	10/1993	Tabarly	
D343,043 S	1/1994	Campbell	
D369,894 S	5/1996	Stolberg	
D380,592 S *	7/1997	Whittington D2/910
D458,439 S	6/2002	Hudson	
6,446,267 B1	9/2002	Shah	
6,532,689 B1	3/2003	Jones, Jr.	
D500,583 S	1/2005	Belley et al.	
D547,046 S *	7/2007	Belley et al. D2/970
D582,650 S	12/2008	Uratsu	

OTHER PUBLICATIONS

Photo of LIVS Sienna Boot; On sale or in public use at least as early as May 13, 2007.

Photo of LIVS Alex Cardigan Boot; On sale or in public use at least as early as May 13, 2007.

Photo of Raton Caty Boot; On sale or in public use at least as early as May 13, 2007.

Photo of Blovifish Hobbit Boot; On sale or in public use at least as early as May 13, 2007.

* cited by examiner

Primary Examiner—Stella M Reid

Assistant Examiner—Rashida C McCoy

(74) *Attorney, Agent, or Firm*—Greer, Burns & Crain, Ltd.

(57) **CLAIM**

The ornamental design for a portion of a footwear upper, as shown and described.

DESCRIPTION

FIG. 1 is a side perspective view of a portion of a footwear upper showing my new design;

FIG. 2 is a left side elevational view thereof;

FIG. 3 is a right side elevational view thereof;

FIG. 4 is a front elevational view thereof;

FIG. 5 is a rear elevational view thereof;

FIG. 6 is a top plan view thereof;

FIG. 7 is a bottom plan view thereof;

FIG. 8 is a side perspective view thereof in a folded down position;

FIG. 9 is a left side elevational view thereof;

FIG. 10 is a right side elevational view thereof;

FIG. 11 is a front elevational view thereof;

FIG. 12 is a rear elevational view thereof;

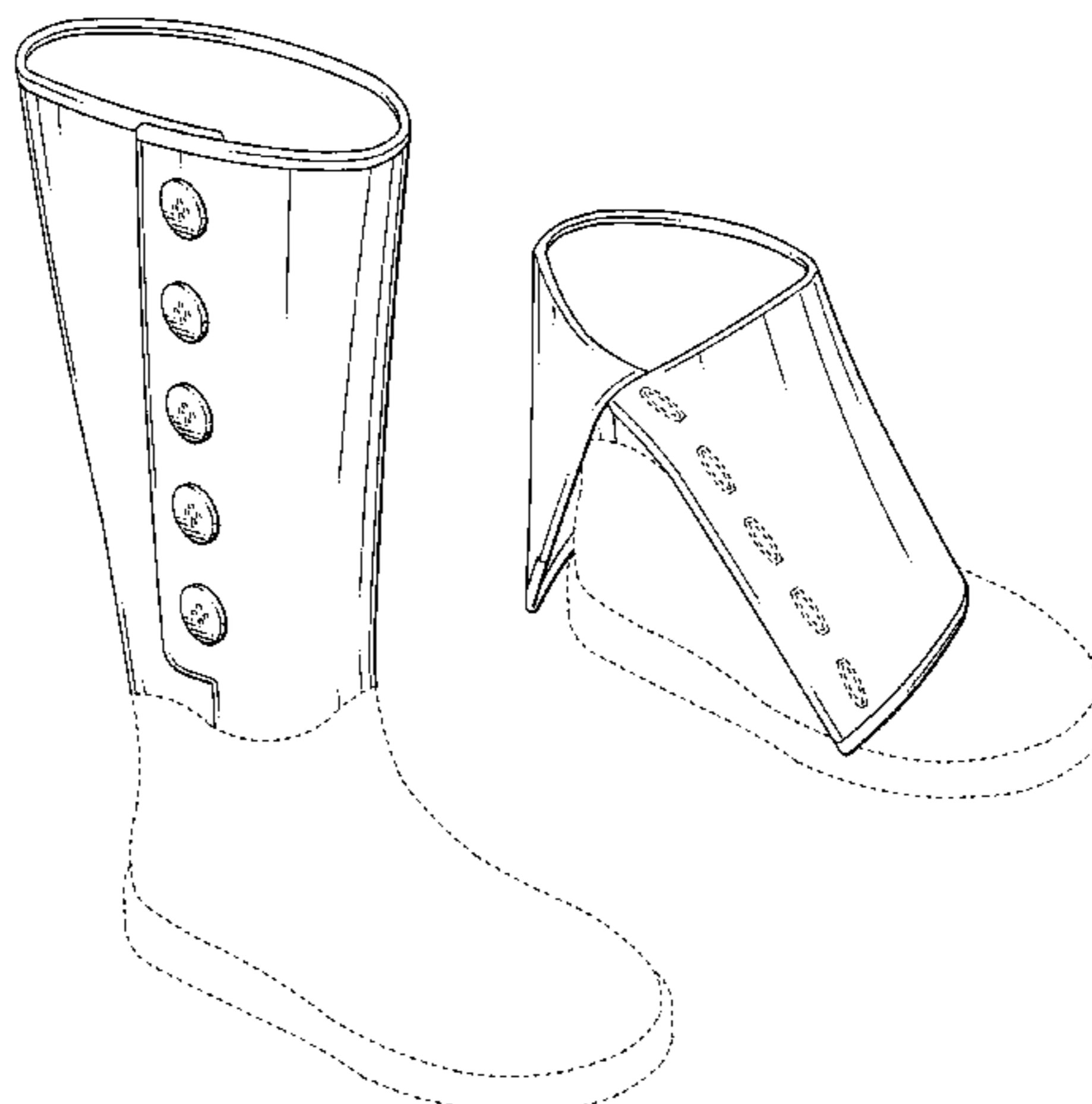
FIG. 13 is a top plan view thereof; and,

FIG. 14 is a bottom plan view thereof.

The broken line showing of the button holes and the lower portion of the footwear are included for the purpose of illustrating environmental structure and forms no part of the claimed design.

The broken lines immediately adjacent the solid-line portions of the design form the boundary of the design, with the broken lines forming no part of the claimed design.

1 Claim, 10 Drawing Sheets



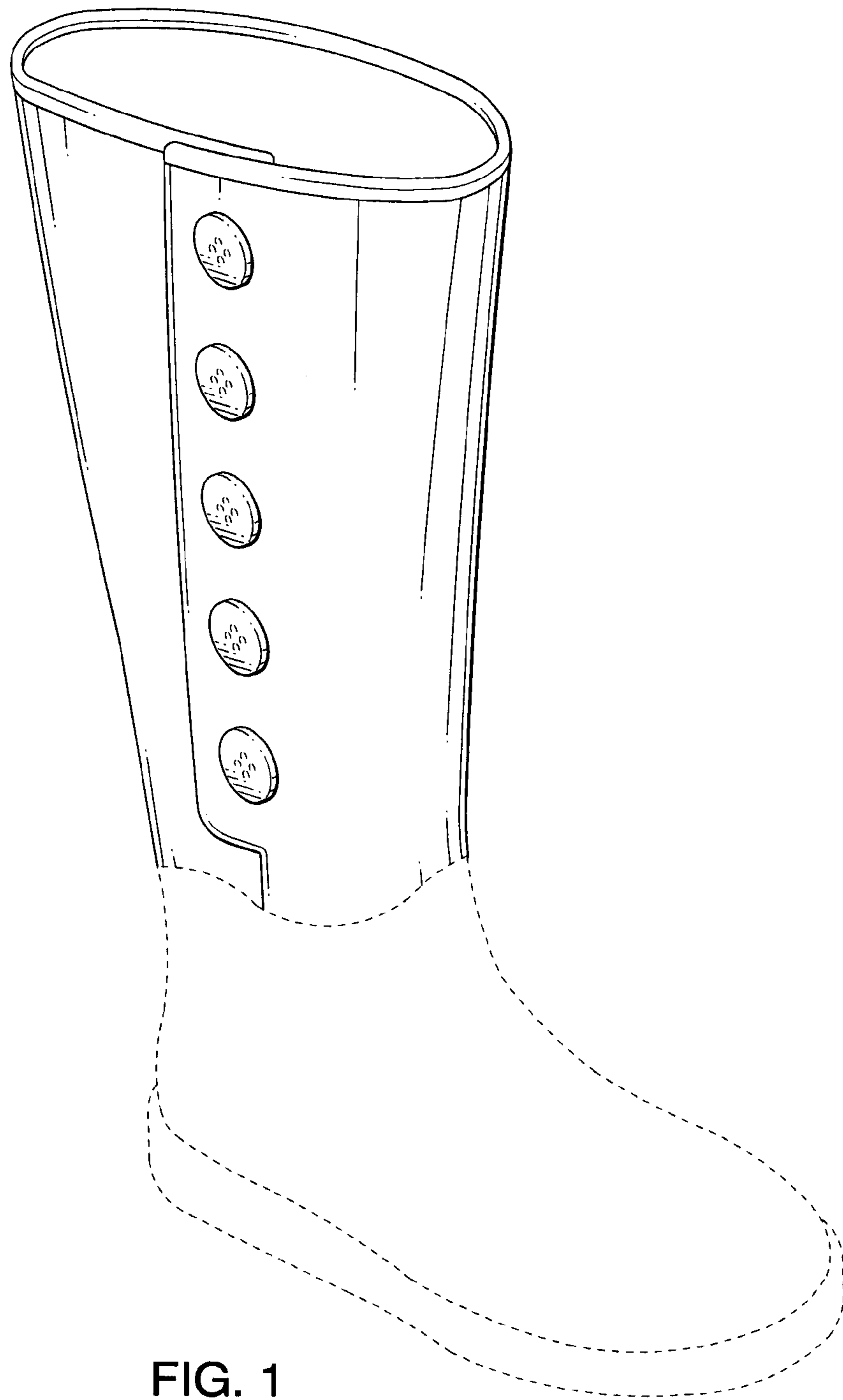


FIG. 1

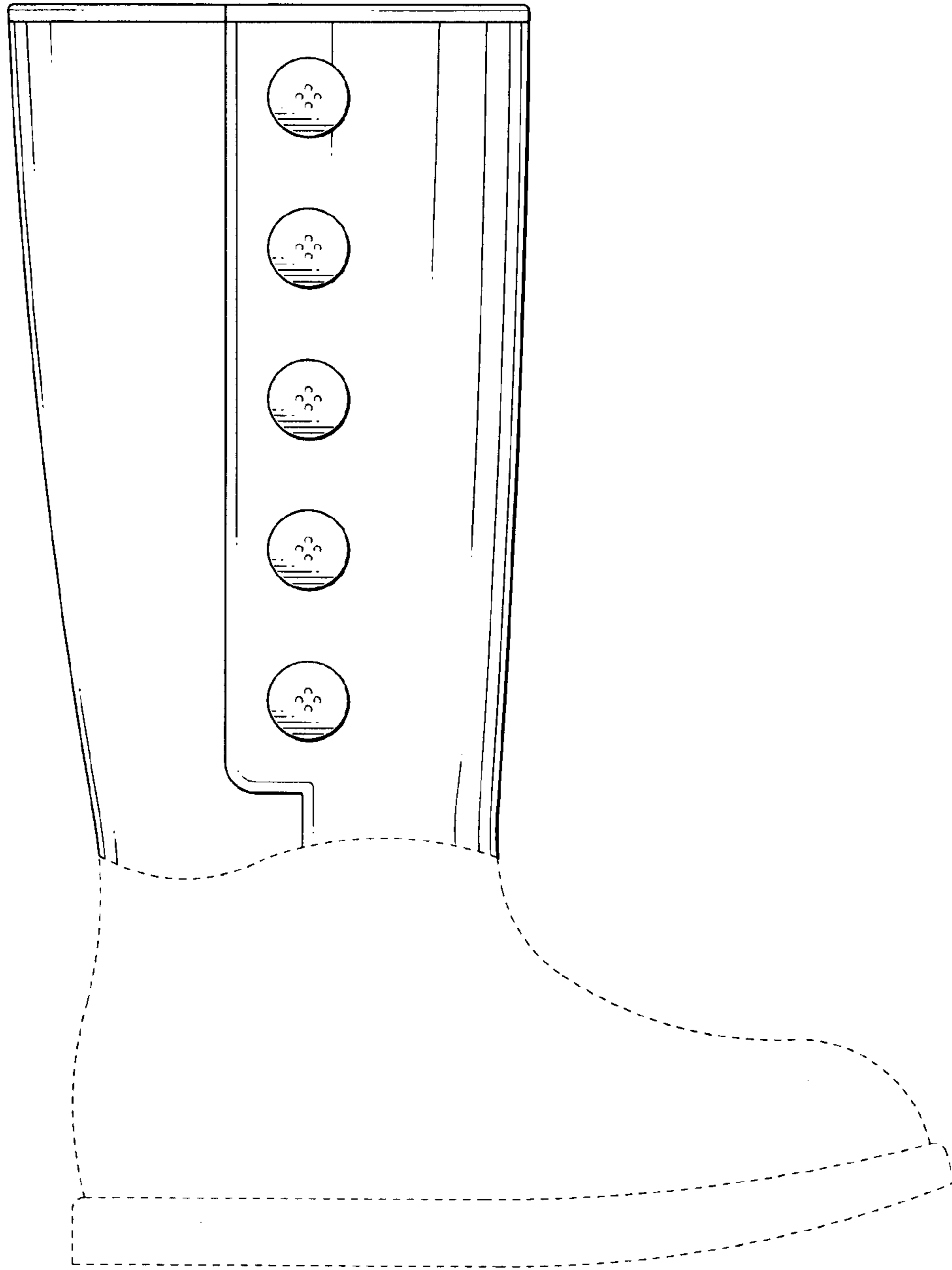


FIG. 2

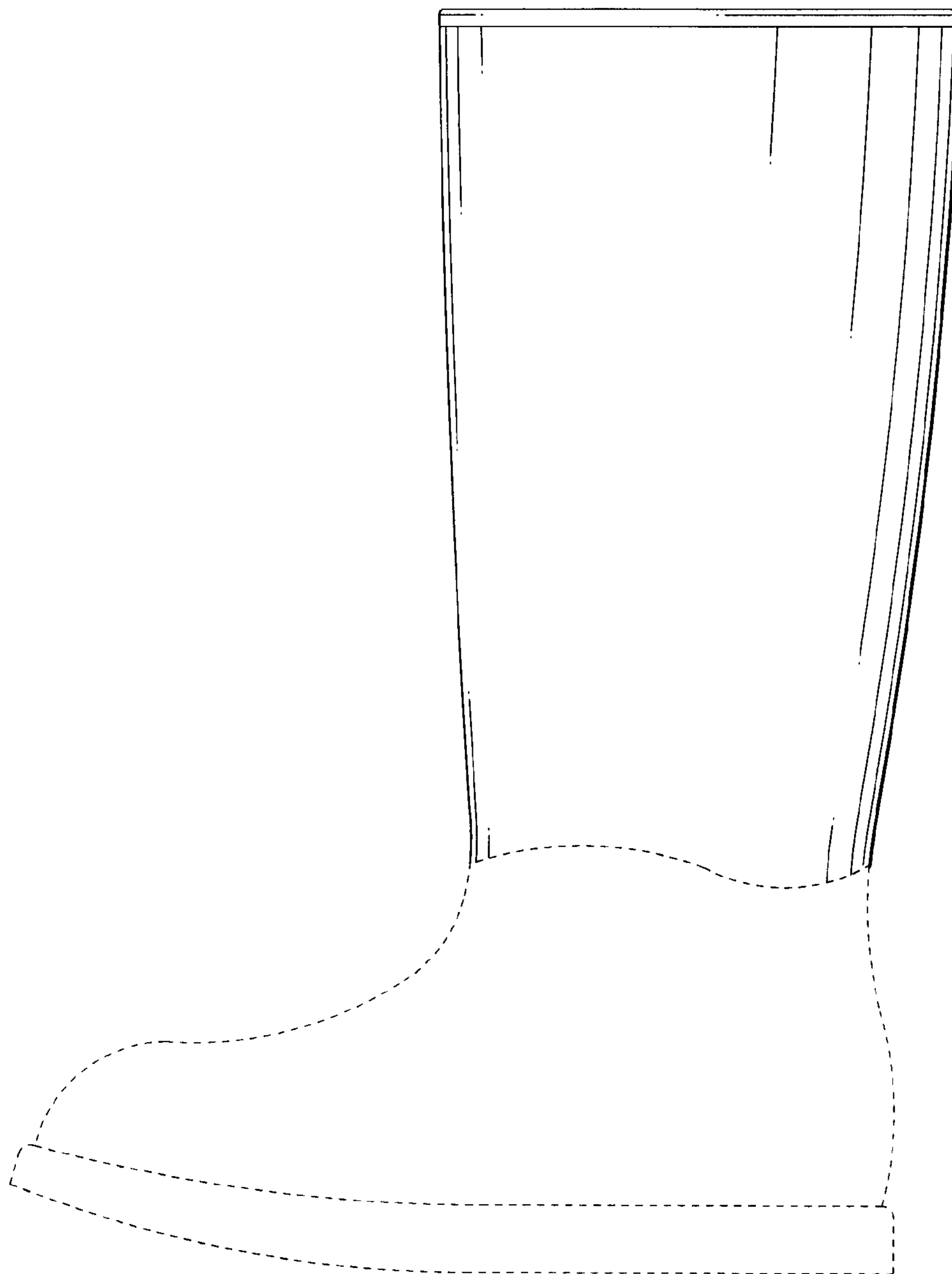


FIG. 3

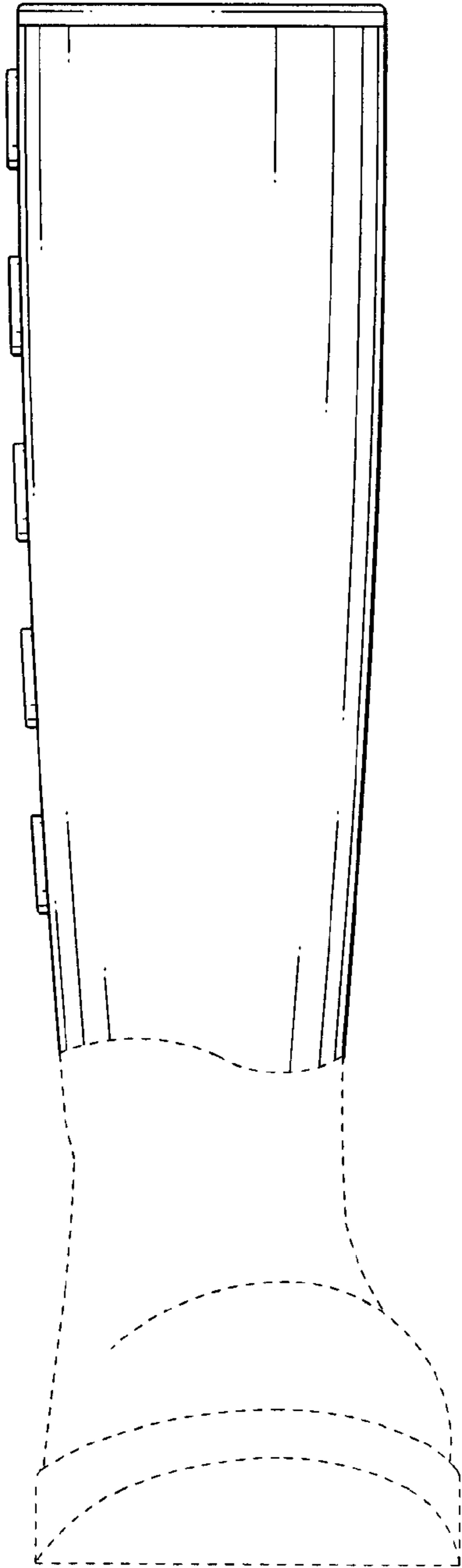


FIG. 4

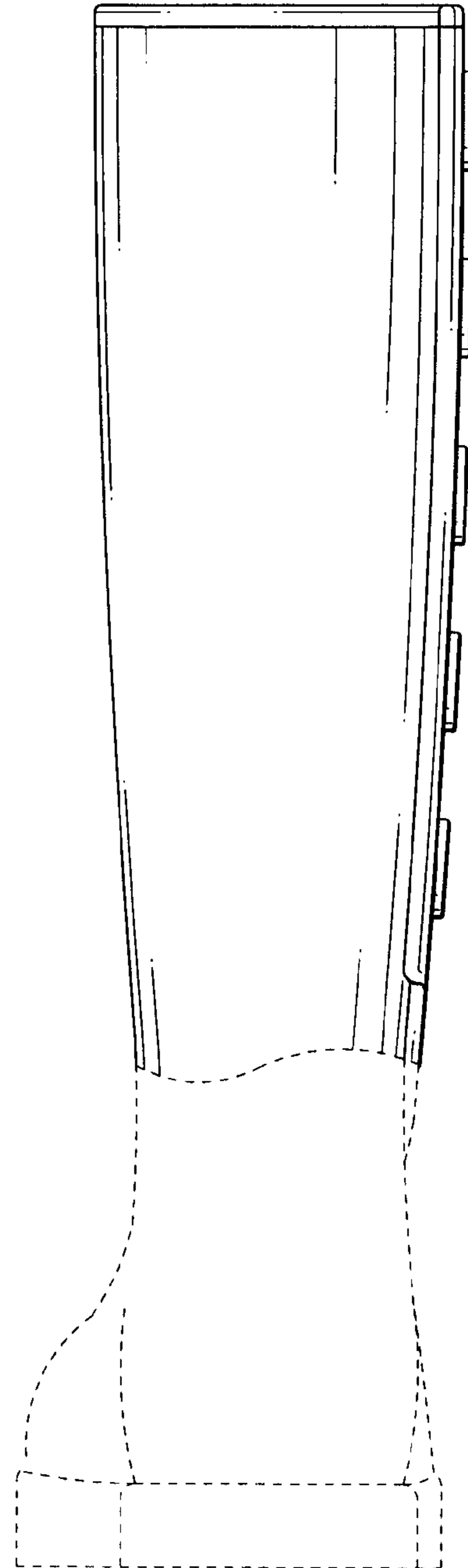


FIG. 5

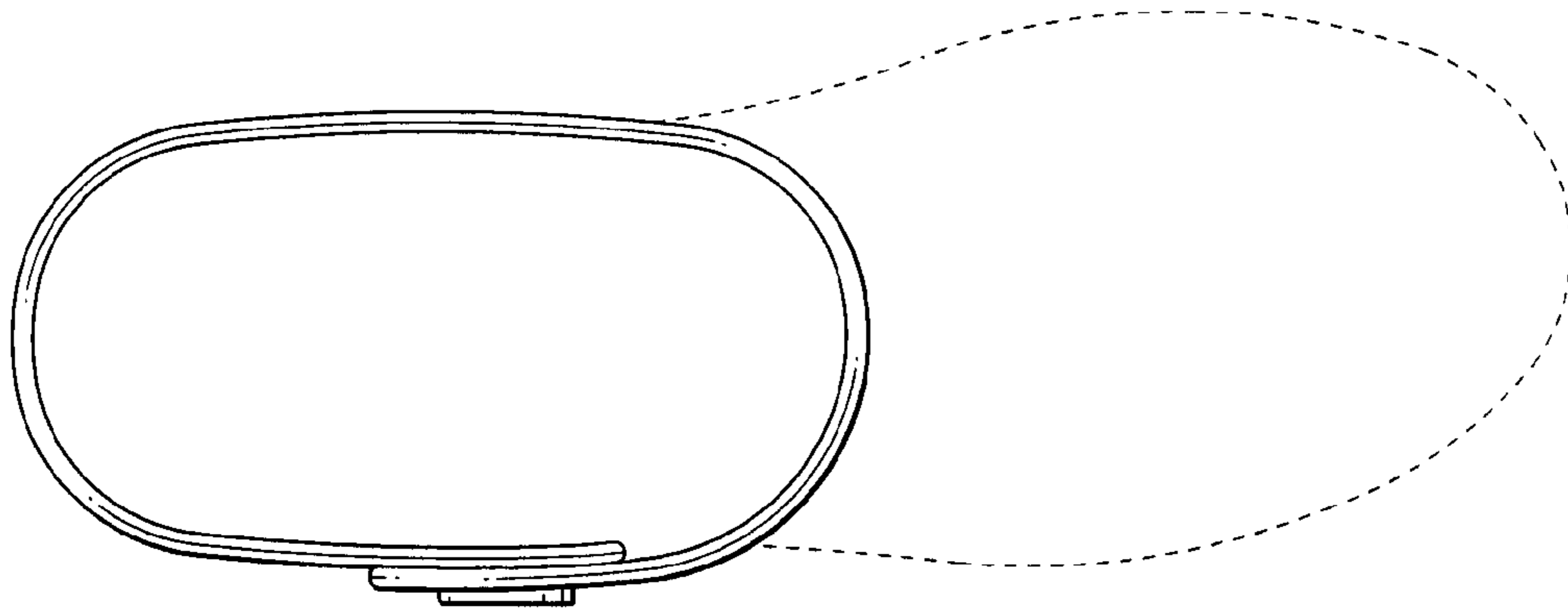


FIG. 6

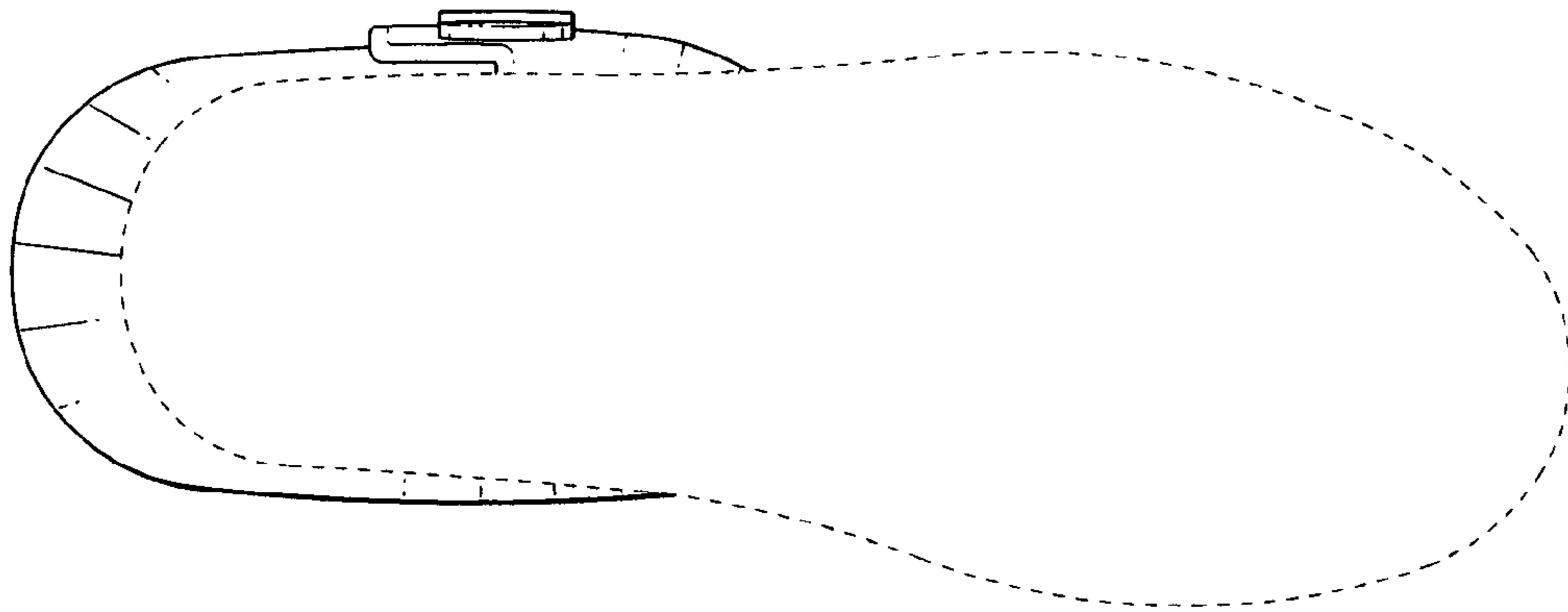


FIG. 7

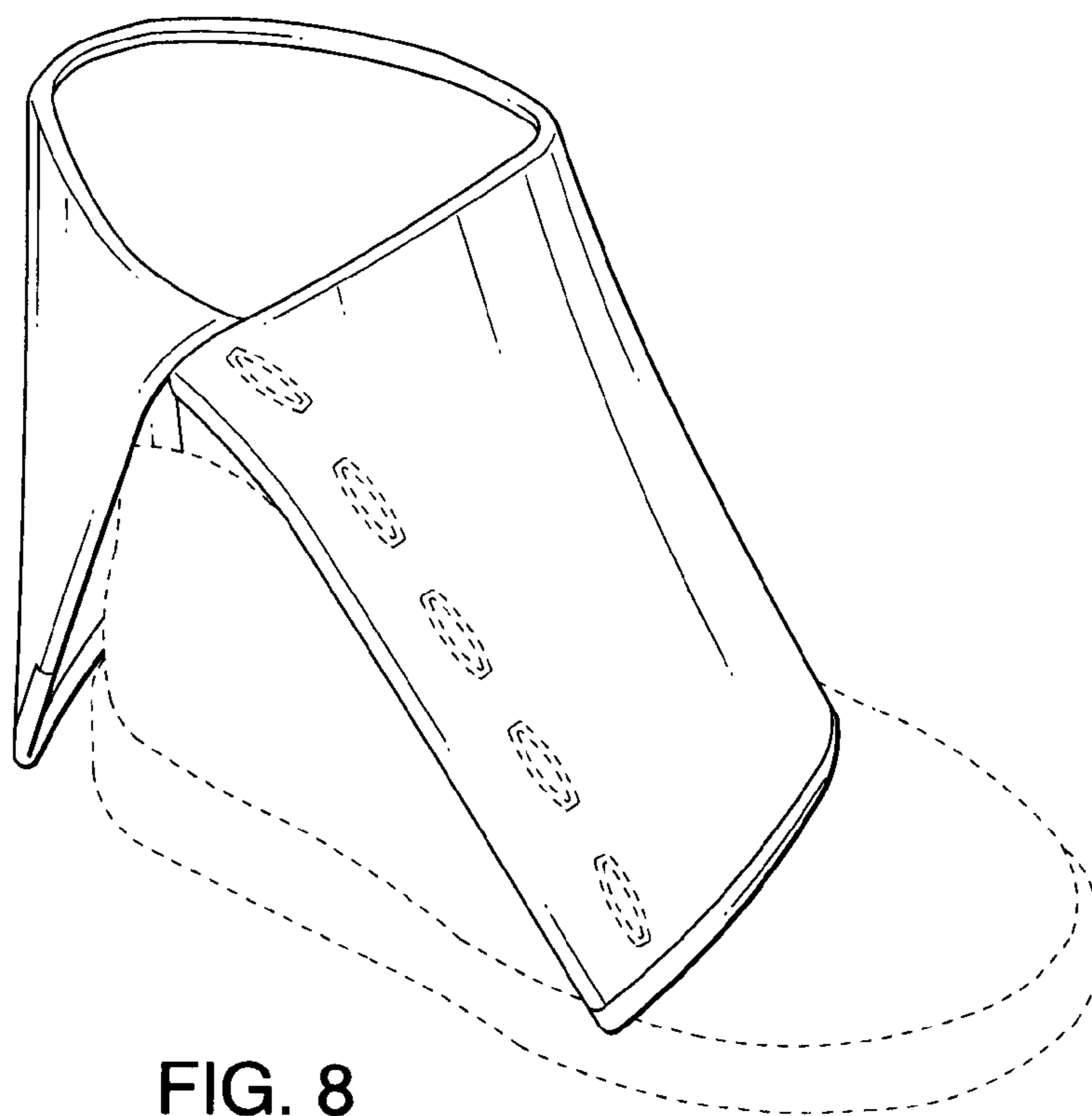


FIG. 8

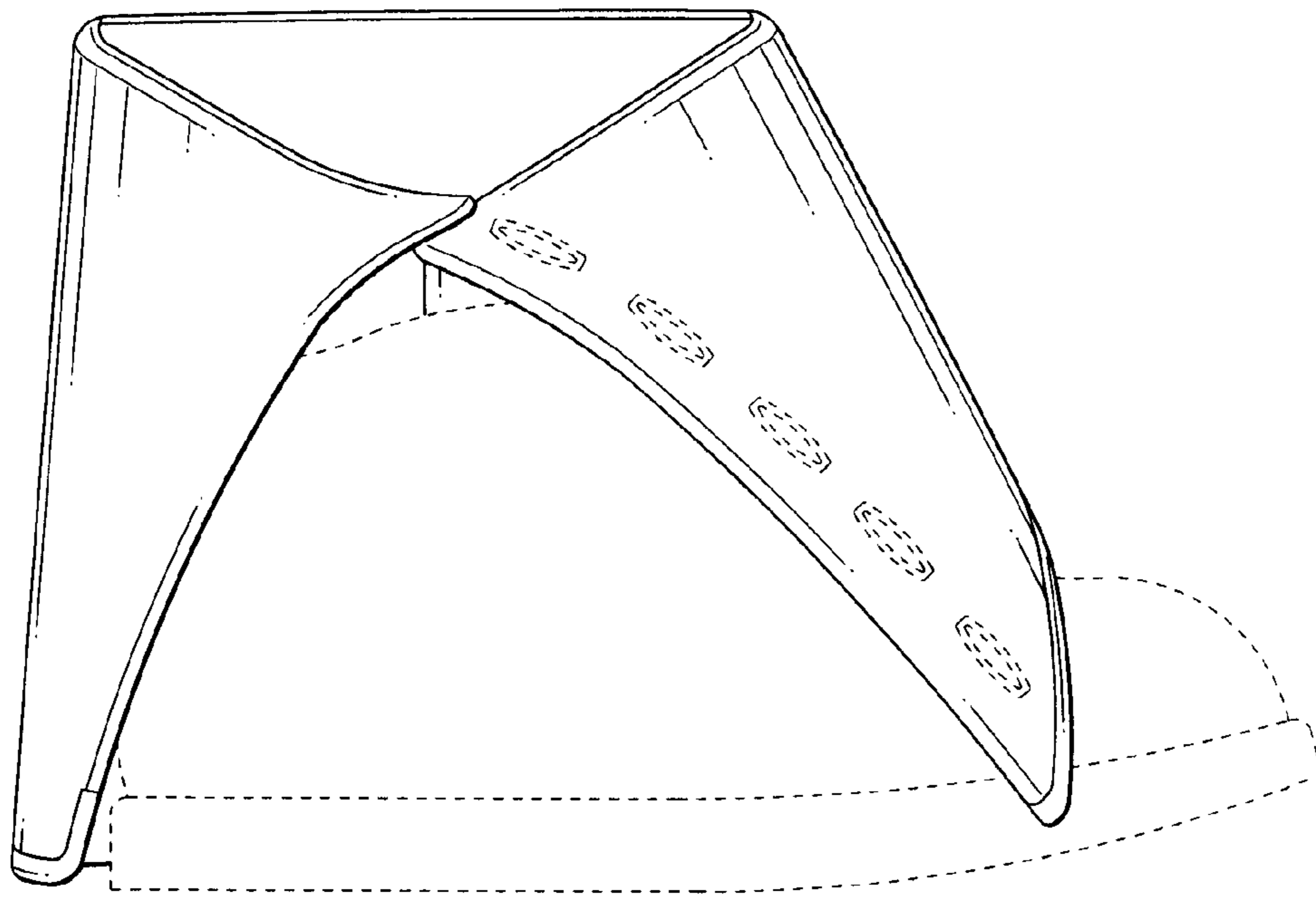


FIG. 9

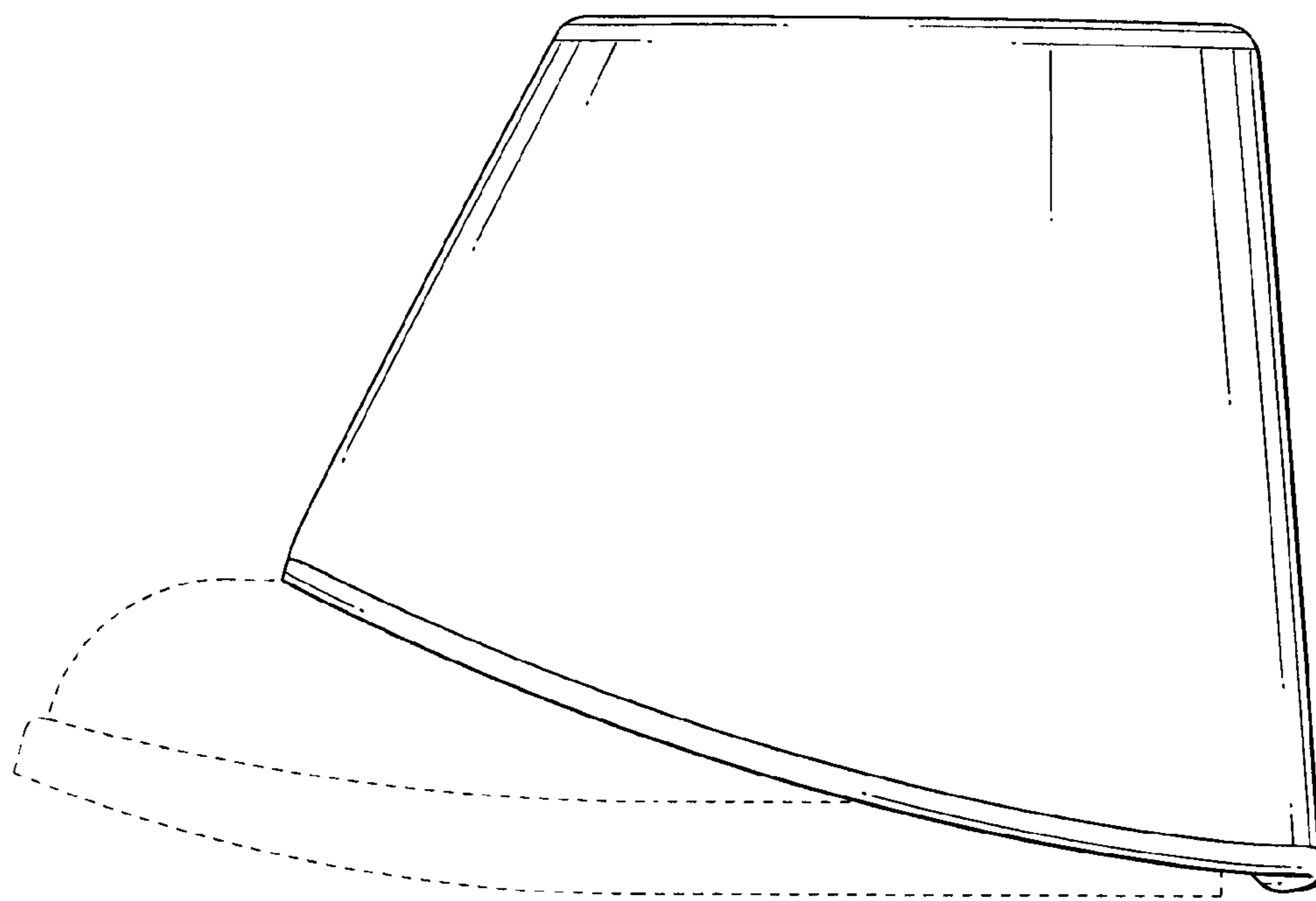


FIG. 10

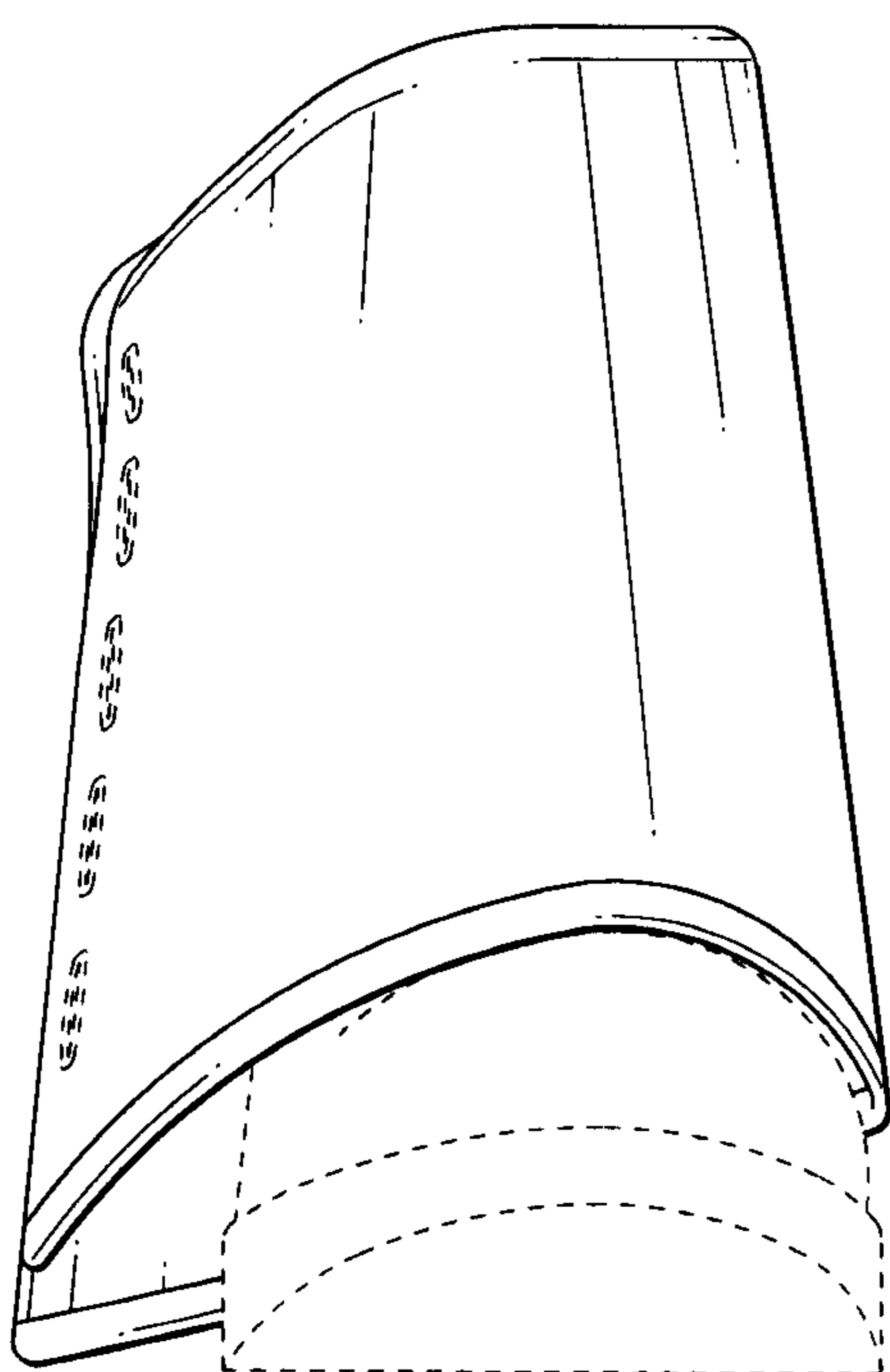


FIG. 11

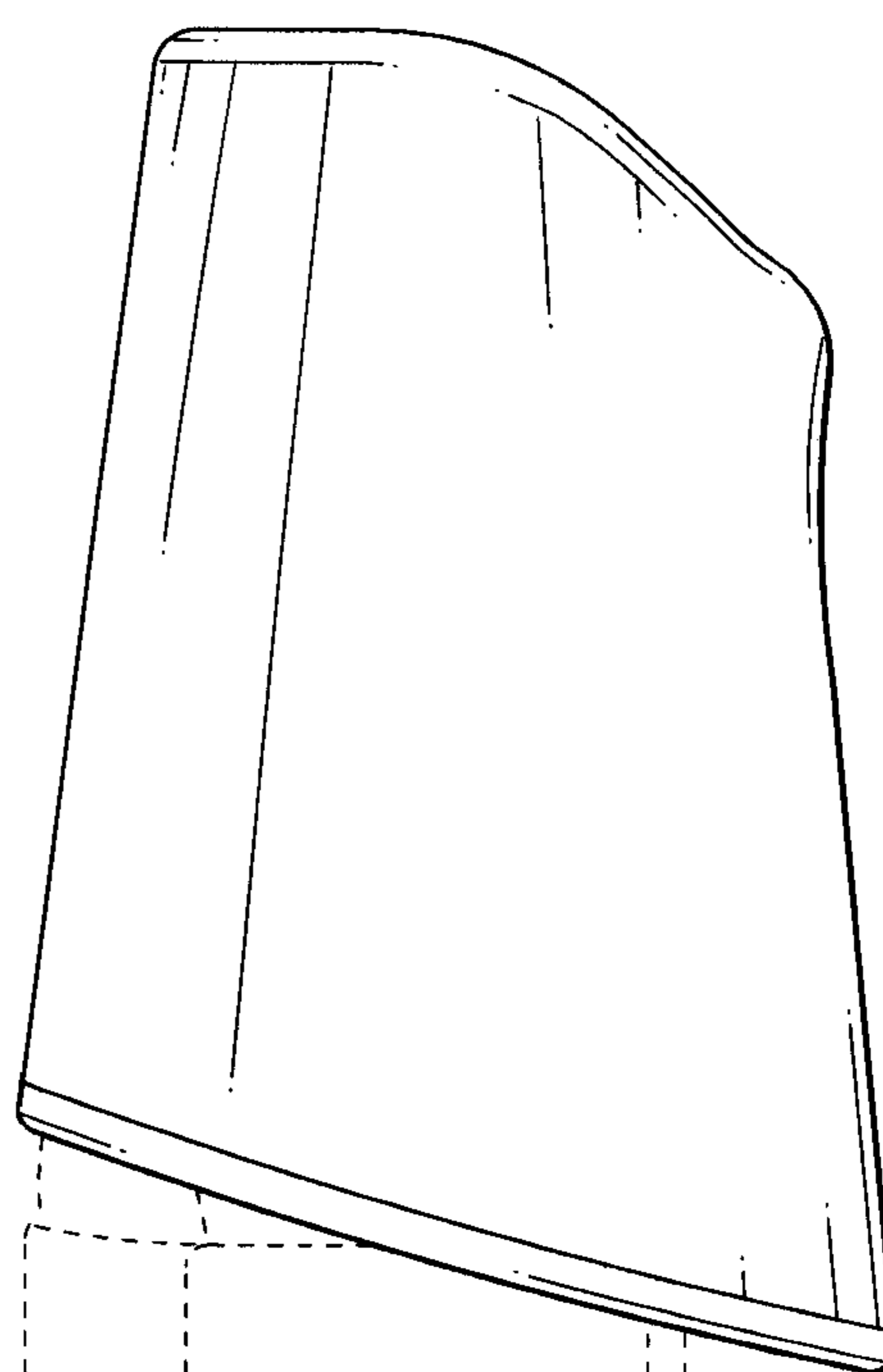


FIG. 12

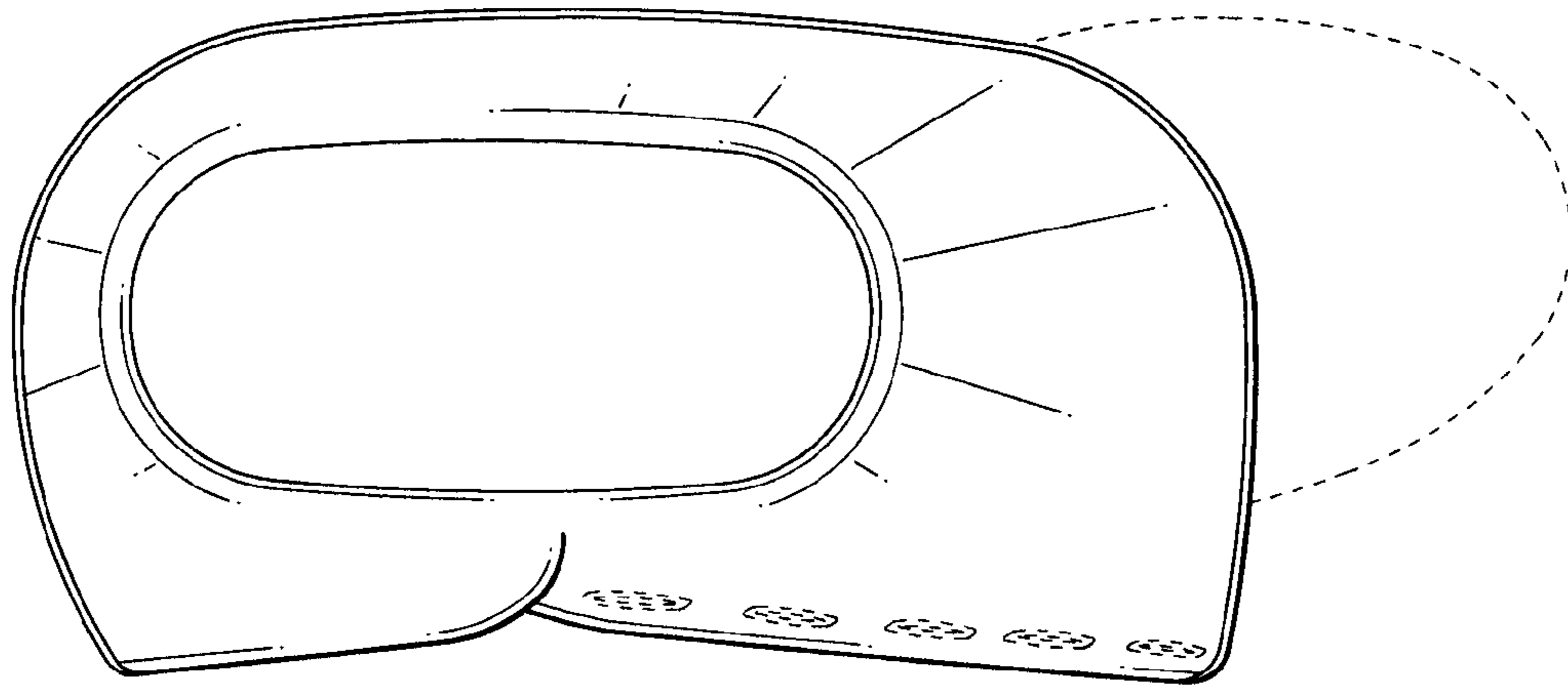


FIG. 13

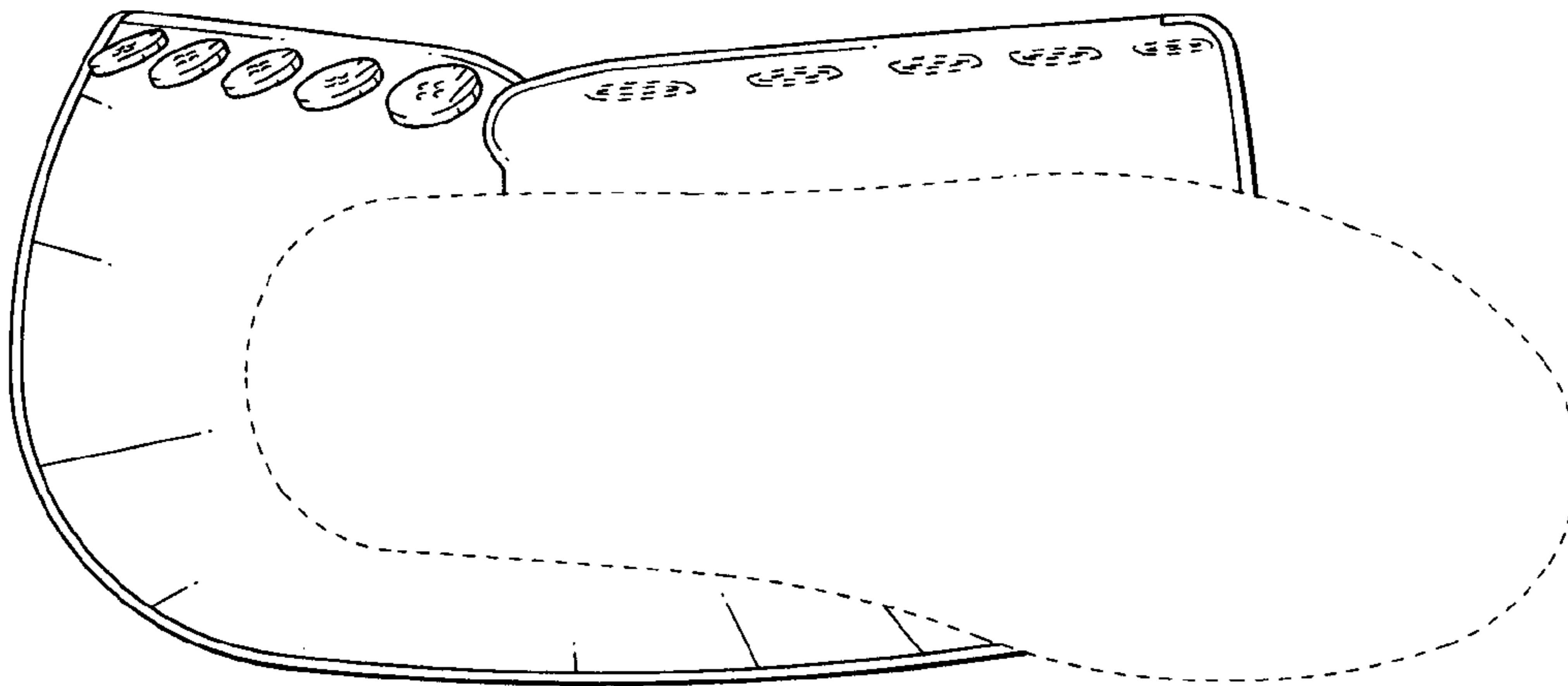


FIG. 14