



US00D615737S

(12) **United States Design Patent**  
**Feller**

(10) **Patent No.:** **US D615,737 S**

(45) **Date of Patent:** **\*\* May 18, 2010**

(54) **SHOE**

(76) **Inventor:** **Craig Feller**, 29433 Gray Hawk Dr.,  
Evergreen, CO (US) 80439

(\*\*) **Term:** **14 Years**

(21) **Appl. No.:** **29/330,495**

(22) **Filed:** **Jan. 8, 2009**

(51) **LOC (9) Cl.** ..... **02-04**

(52) **U.S. Cl.** ..... **D2/925; D2/896; D2/926;**  
**D2/927**

(58) **Field of Classification Search** ..... **D2/896,**  
**D2/902, 906-908, 916-918, 923, 925-927,**  
**D2/951, 953, 954, 969; 36/45, 83, 88, 113,**  
**36/114, 8.1, 4, 25 R-25 A, 7.5, 11.5**  
See application file for complete search history.

(56) **References Cited**

**U.S. PATENT DOCUMENTS**

1,823,445 A	9/1931	Goldstone	
2,253,860 A	8/1941	Martin	
D132,630 S	6/1942	Pfieffer	
D136,742 S *	11/1943	Keyes	..... D2/927
2,343,701 A	3/1944	Pickens	
2,491,297 A	12/1949	Brown	
2,495,984 A	1/1950	Roy	
2,526,940 A	10/1950	Fello	
D161,707 S	1/1951	Peterson	
2,590,648 A	3/1952	Pitz	
2,607,133 A	8/1952	Marlowe	
2,694,438 A	11/1954	Wilhelm	
2,873,540 A	2/1959	Murphy	
2,889,639 A	6/1959	Rudine	
2,957,253 A	10/1960	Metzler	
3,063,166 A	11/1962	Blavier	
3,228,124 A	1/1966	Schwartz	
3,455,037 A	7/1969	Vlas et al.	
3,672,078 A	6/1972	Fukuoka et al.	
3,739,501 A	6/1973	Barrett, Jr.	
3,867,771 A	2/1975	Levine	
3,983,642 A	10/1976	Liao et al.	
D247,073 S *	1/1978	Kane et al.	..... D2/926
4,114,295 A	9/1978	Schaefer et al.	

4,114,296 A	9/1978	Smith
4,172,330 A	10/1979	Kao
4,193,214 A	3/1980	Wang et al.
4,267,649 A	5/1981	Smith
4,279,083 A	7/1981	Dilg
4,297,798 A	11/1981	Colan
4,300,294 A	11/1981	Riecken
4,314,412 A	2/1982	Anderson et al.
4,343,057 A	8/1982	Bensley et al.
4,348,820 A	9/1982	D'Alessio
4,363,177 A	12/1982	Boros
4,370,818 A	2/1983	Simoglou
4,439,935 A	4/1984	Kelly
4,450,633 A	5/1984	Connelly et al.
4,461,102 A	7/1984	DeVincentis

(Continued)

*Primary Examiner*—Dominic Simone  
(74) *Attorney, Agent, or Firm*—Gifford, Krass, Sprinkle,  
Anderson & Citkowski, P.C.

(57) **CLAIM**

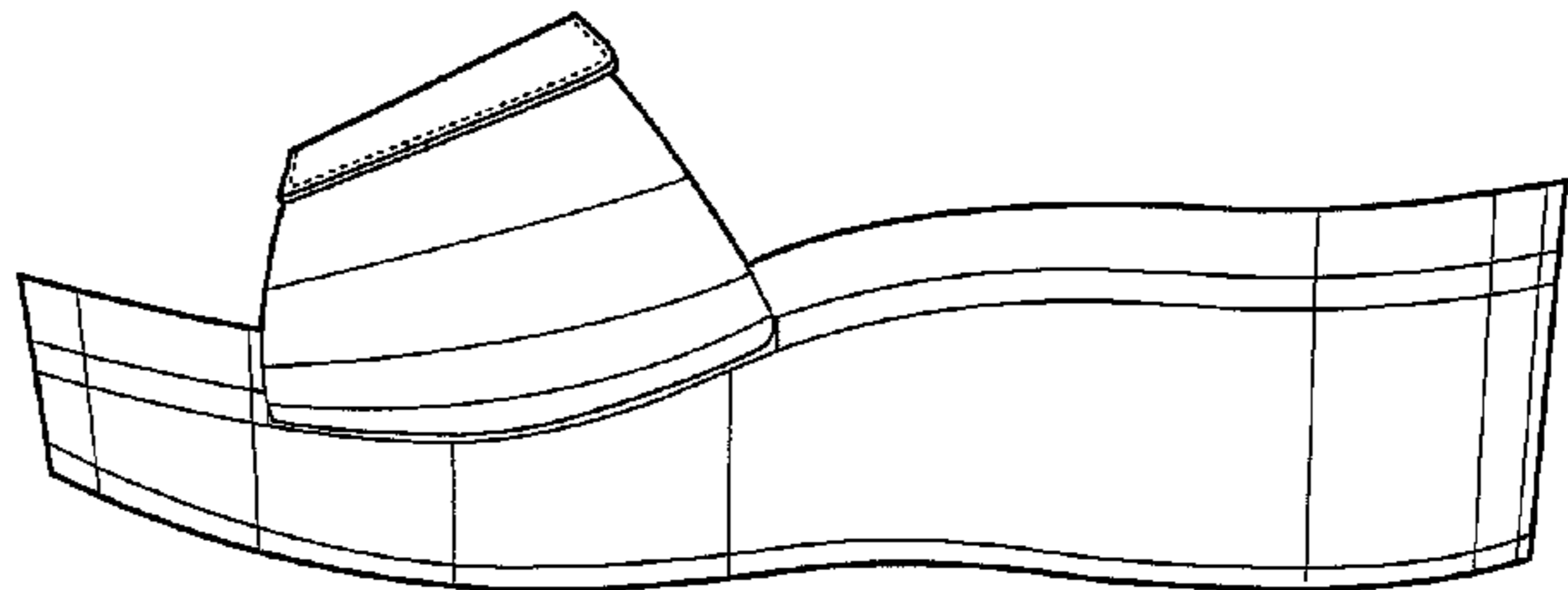
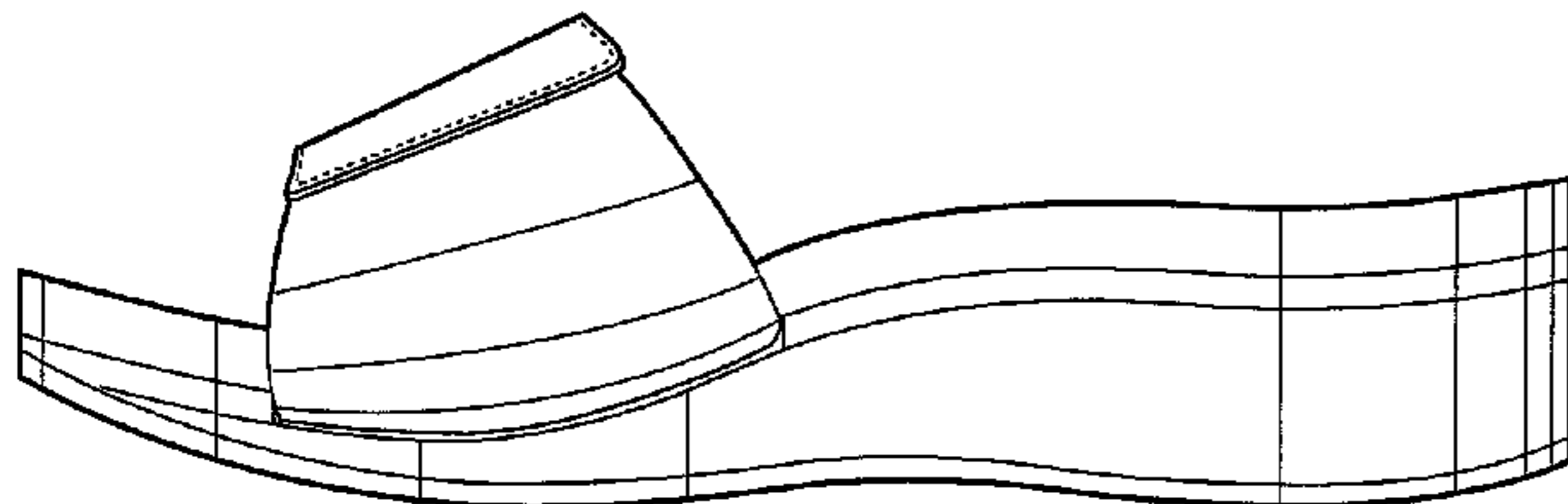
The ornamental design for a shoe, as shown and described.

**DESCRIPTION**

FIG. 1 is a top plan view of a shoe showing my new design;  
FIG. 2 is a side elevational view thereof;  
FIG. 3 is a bottom plan view thereof;  
FIG. 4 is a front elevational view thereof;  
FIG. 5 is a rear elevational view thereof;  
FIG. 6 is a top plan view of a second embodiment of the shoe  
of FIG. 1;  
FIG. 7 is a side elevational view thereof;  
FIG. 8 is a bottom plan view thereof;  
FIG. 9 is a front elevational view thereof; and,  
FIG. 10 is a rear elevational view thereof.

The broken line showing of the sole in FIGS. 3 and 8 is for  
environmental purposes only and form no part of the claimed  
design.

**1 Claim, 4 Drawing Sheets**



# US D615,737 S

Page 2

U.S. PATENT DOCUMENTS						
4,497,123	A	2/1985	Ehrlich et al.	D470,304	S 2/2003	Berg et al.
4,563,787	A	1/1986	Drew et al.	D471,346	S 3/2003	Bray, Jr. et al.
4,745,693	A	5/1988	Brown	D485,050	S 1/2004	Lin
4,854,056	A	8/1989	Levin	D485,970	S 2/2004	Magro et al.
4,869,000	A	9/1989	York, Jr.	D485,971	S 2/2004	Magro et al.
4,887,369	A	12/1989	Bailey et al.	D492,474	S 7/2004	Branstrom
4,896,440	A	1/1990	Salaverria	D492,841	S *	7/2004 Magro ..... D2/926
4,967,750	A	11/1990	Cherniak et al.	D493,954	S *	8/2004 Magro ..... D2/969
5,052,131	A	10/1991	Rondini	D495,124	S 8/2004	Wakatake
5,065,531	A	11/1991	Prestridge	6,792,696	B2 9/2004	Berg et al.
5,381,610	A	1/1995	Hanson	D497,243	S 10/2004	McClaskie
5,410,821	A	5/1995	Hilgendorf	D499,236	S 12/2004	Magro et al.
5,423,134	A	6/1995	Bagnaia et al.	D514,778	S 2/2006	Berg et al.
5,459,948	A	10/1995	Aveni	D514,780	S 2/2006	Berg et al.
5,477,625	A	12/1995	Goldsmith et al.	D518,947	S 4/2006	Choi et al.
D365,923	S	1/1996	Crowley	7,028,420	B2 4/2006	Tonkel
5,483,757	A	1/1996	Frykberg	D521,214	S 5/2006	Choi et al.
D374,335	S	10/1996	Grimes	D528,747	S 9/2006	Issler
5,611,156	A	3/1997	Chiu	7,117,615	B2 10/2006	Gerber
D385,999	S	11/1997	Tong	D535,085	S 1/2007	Berg et al.
5,692,322	A	12/1997	Lombardino	D535,464	S 1/2007	Belley et al.
5,778,565	A	7/1998	Holt et al.	7,162,814	B2 1/2007	Berg et al.
5,802,738	A	9/1998	Ferniani et al.	7,174,657	B2 2/2007	Berg et al.
5,836,090	A	11/1998	Smith	D542,514	S 5/2007	Amado et al.
5,848,484	A	12/1998	Dupree et al.	D543,345	S 5/2007	Andersen et al.
5,852,885	A	12/1998	Ferniani et al.	D545,034	S 6/2007	Amado et al.
D403,493	S	1/1999	McKinley	D552,343	S 10/2007	Brandenburg
5,896,684	A	4/1999	Lin et al.	D554,330	S 11/2007	White
5,946,823	A	9/1999	Yates	D558,435	S 1/2008	Masoodifar
D421,828	S *	3/2000	Malka ..... D2/927	D558,958	S 1/2008	Motomura et al.
6,035,554	A	3/2000	Duncan	7,328,527	B2 2/2008	Goldman
6,128,834	A	10/2000	Vecchiola et al.	D564,734	S 3/2008	Krompasick et al.
D441,942	S	5/2001	Kelchak	D575,051	S 8/2008	Bartee
6,282,818	B1	9/2001	Lu et al.	D575,943	S *	9/2008 del Biondi et al. .... D2/927
D454,425	S	3/2002	Boncutter	D577,479	S *	9/2008 Weitzman ..... D2/926
D467,407	S *	12/2002	Berg et al. .... D2/927	D577,882	S 10/2008	Little
D467,709	S *	12/2002	Berg et al. .... D2/946			

\* cited by examiner

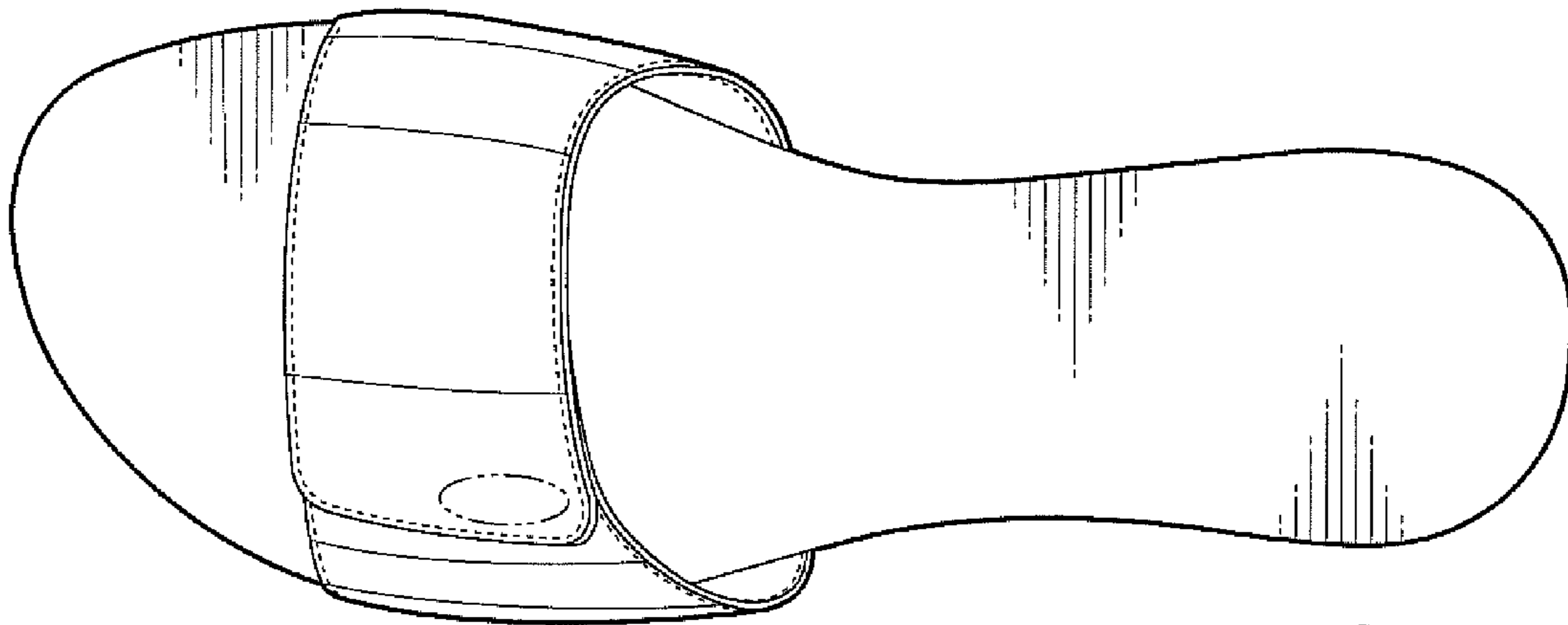


FIG. 1

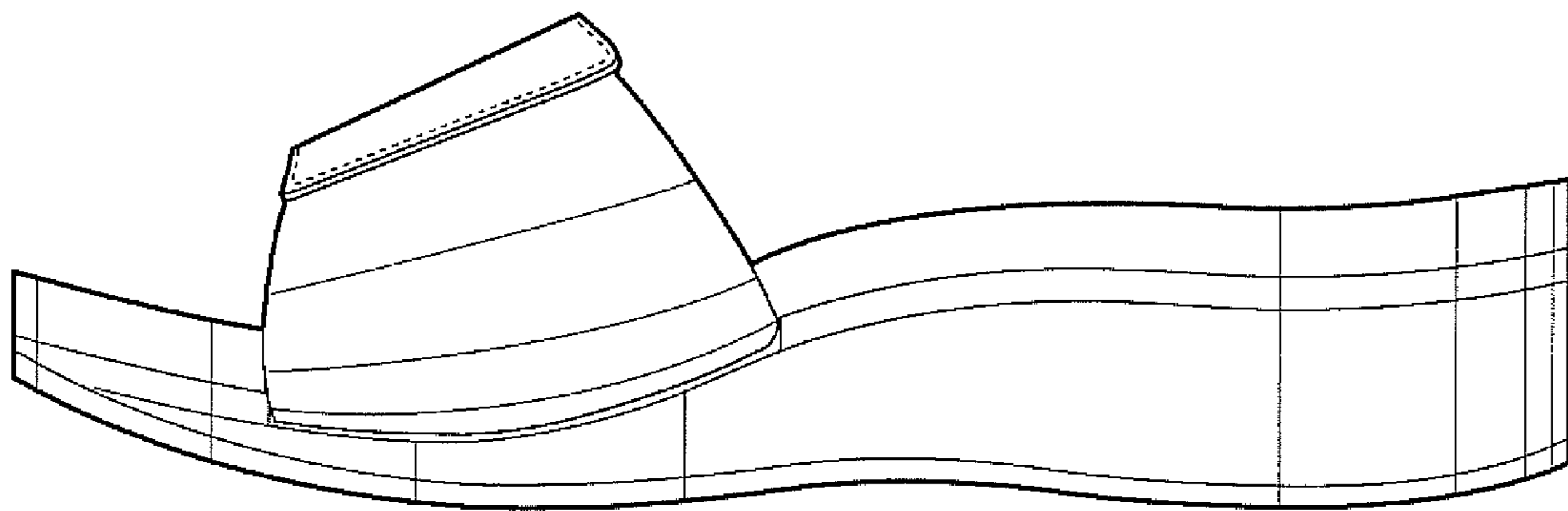


FIG. 2

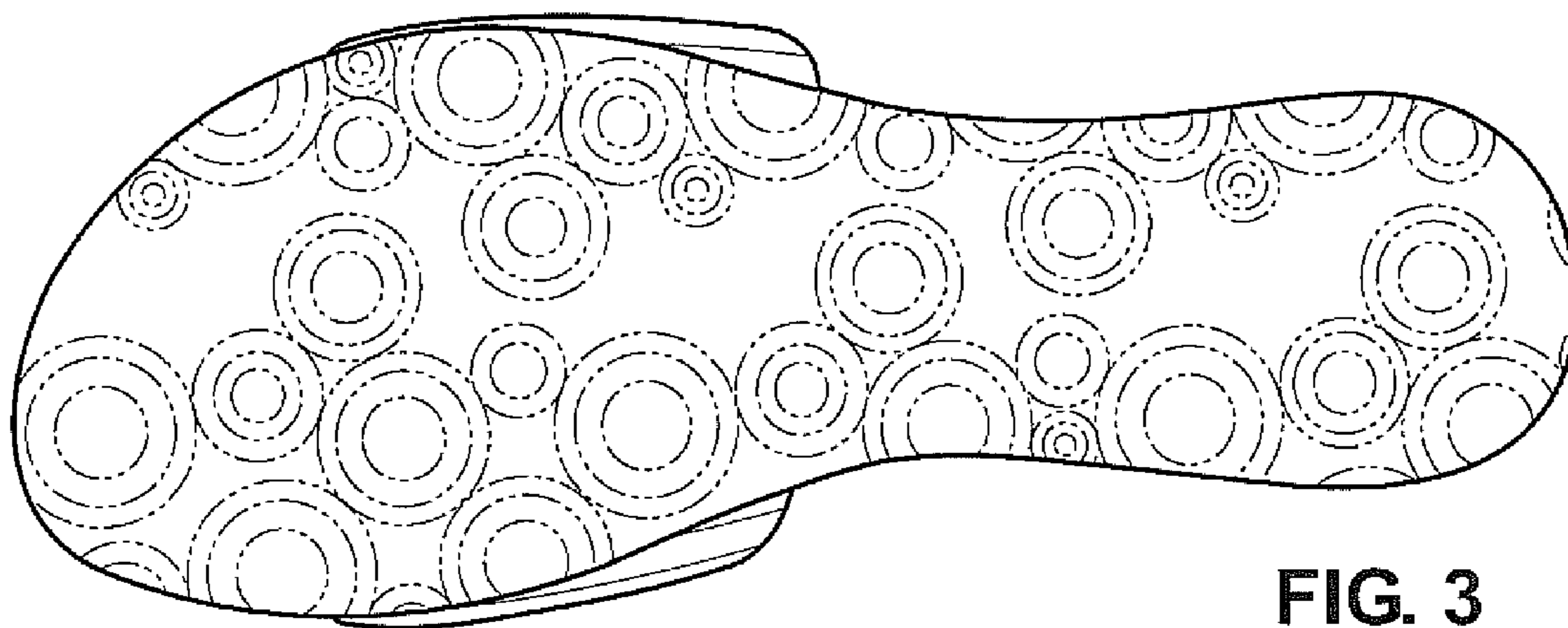
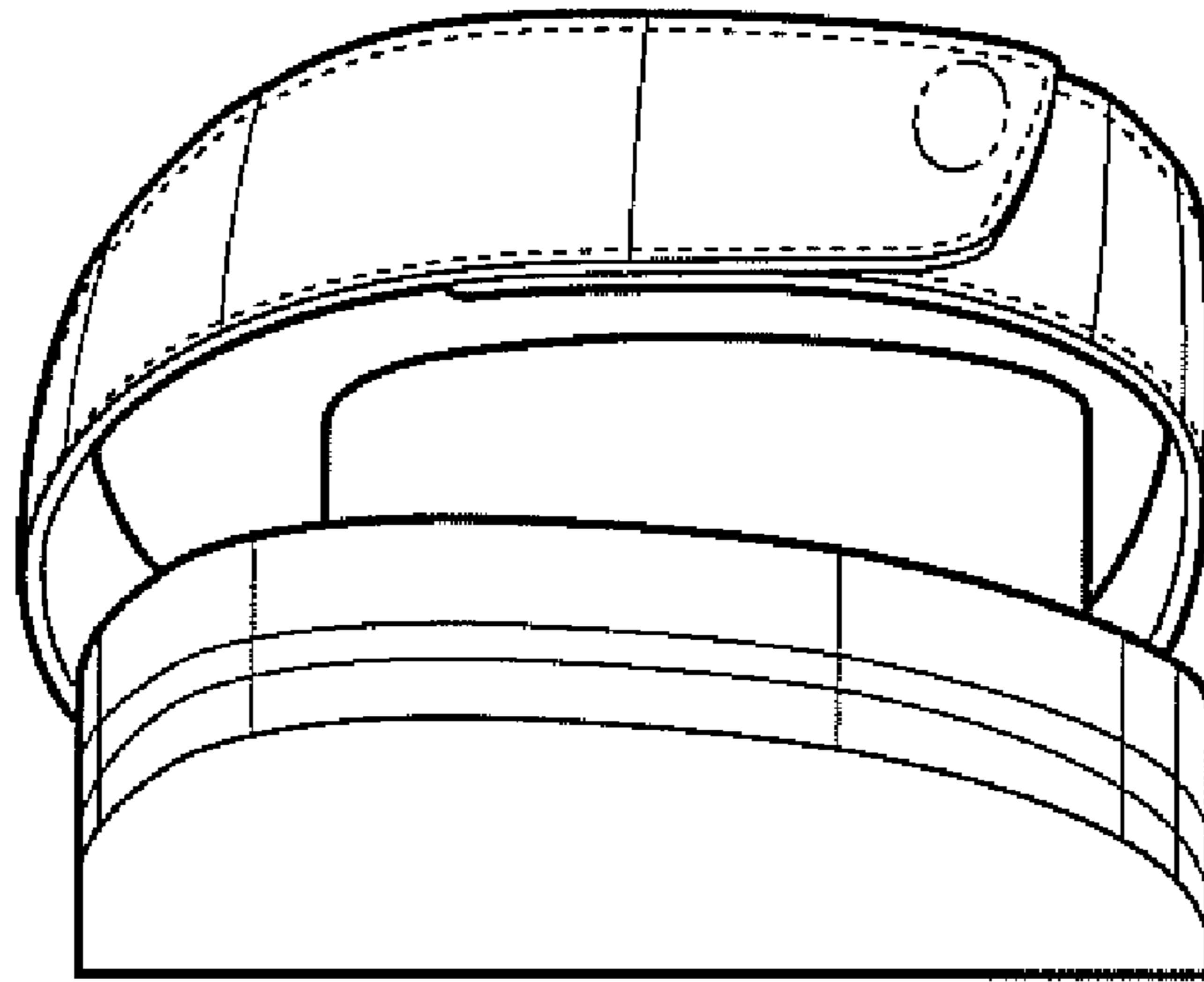
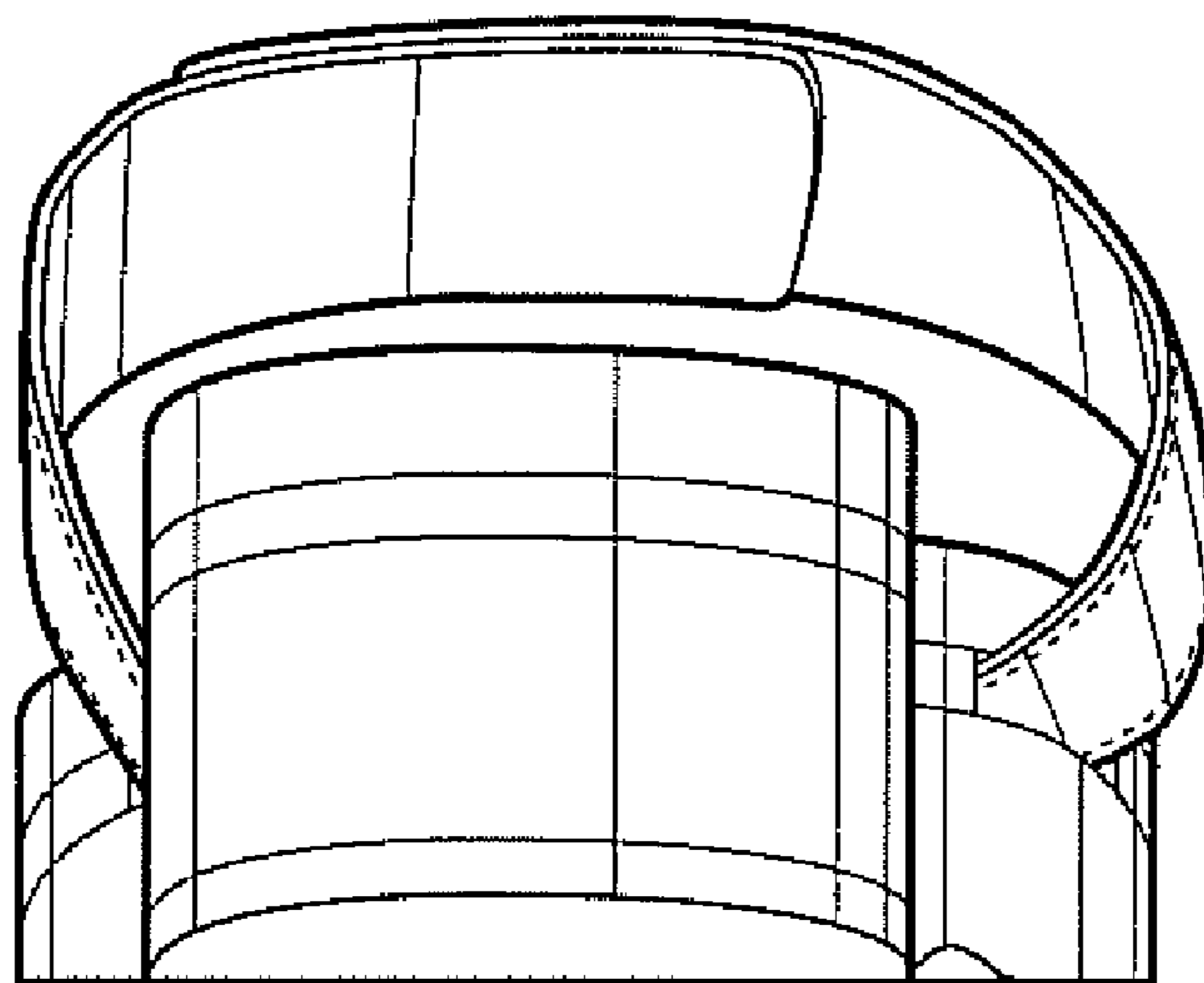


FIG. 3



**FIG. 4**



**FIG. 5**

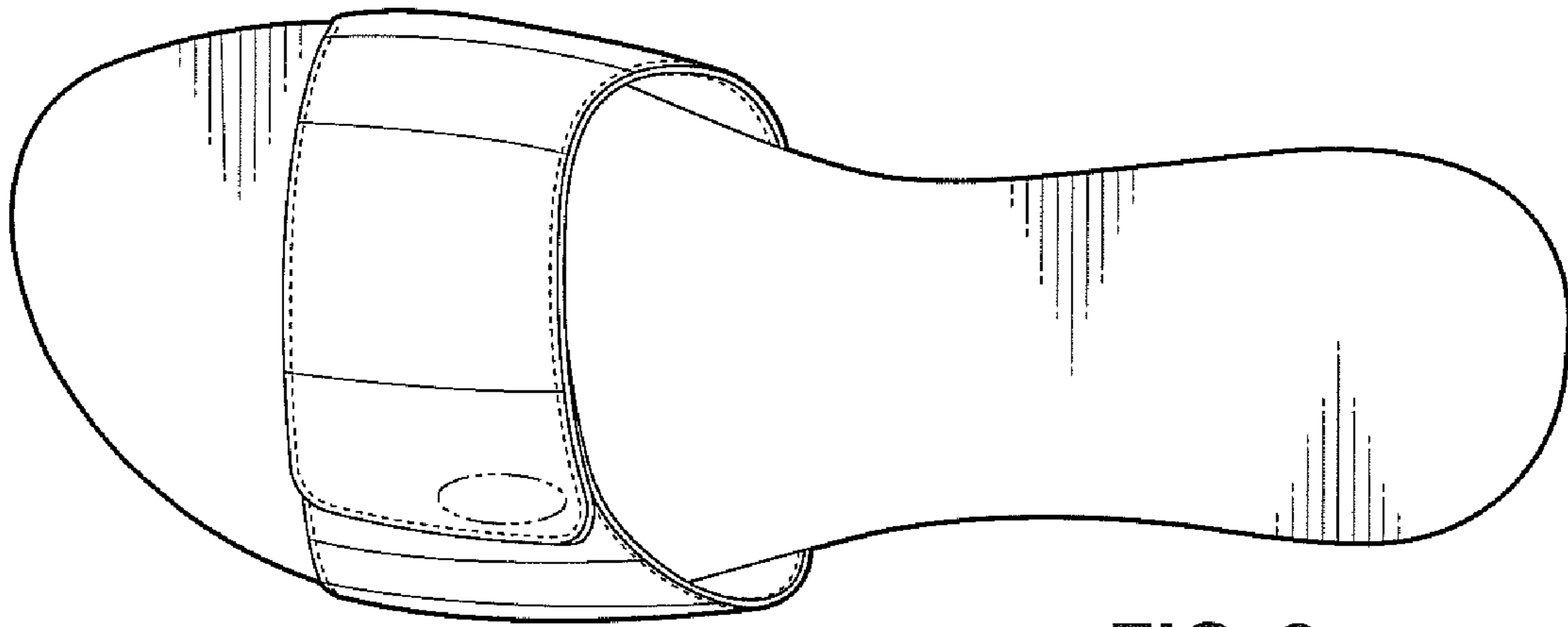


FIG. 6

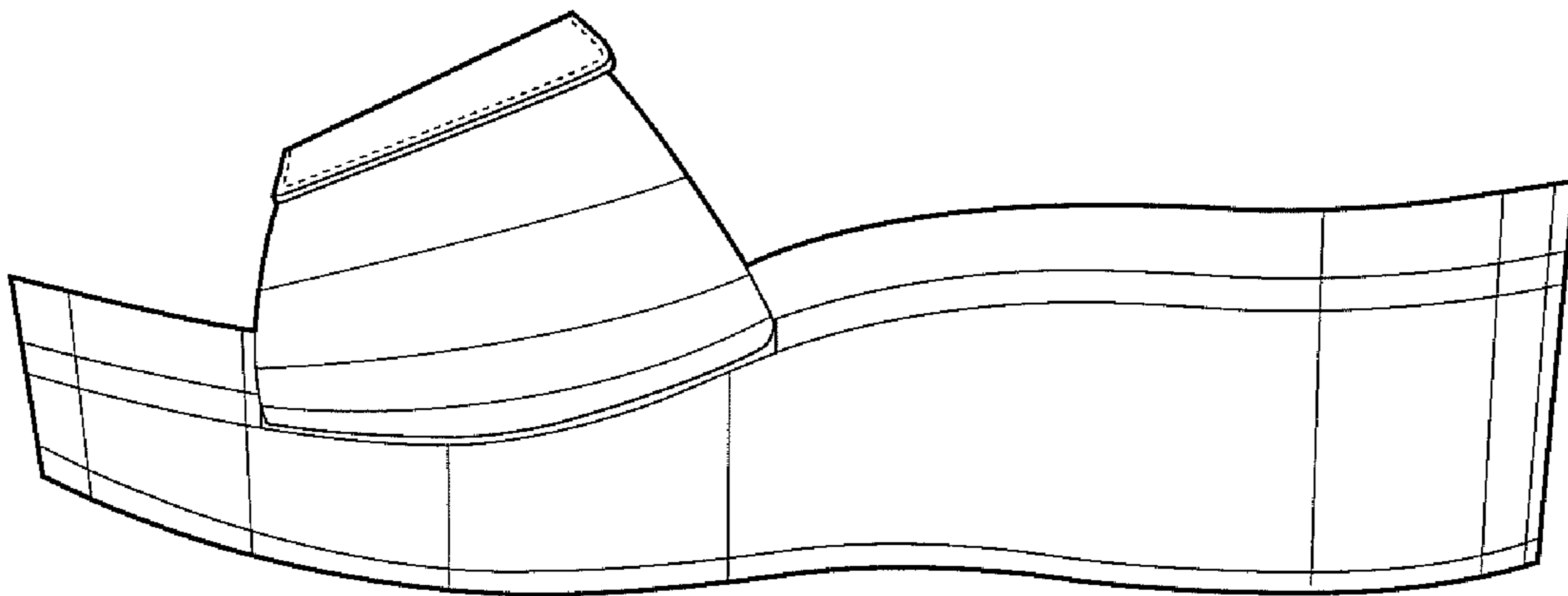


FIG. 7

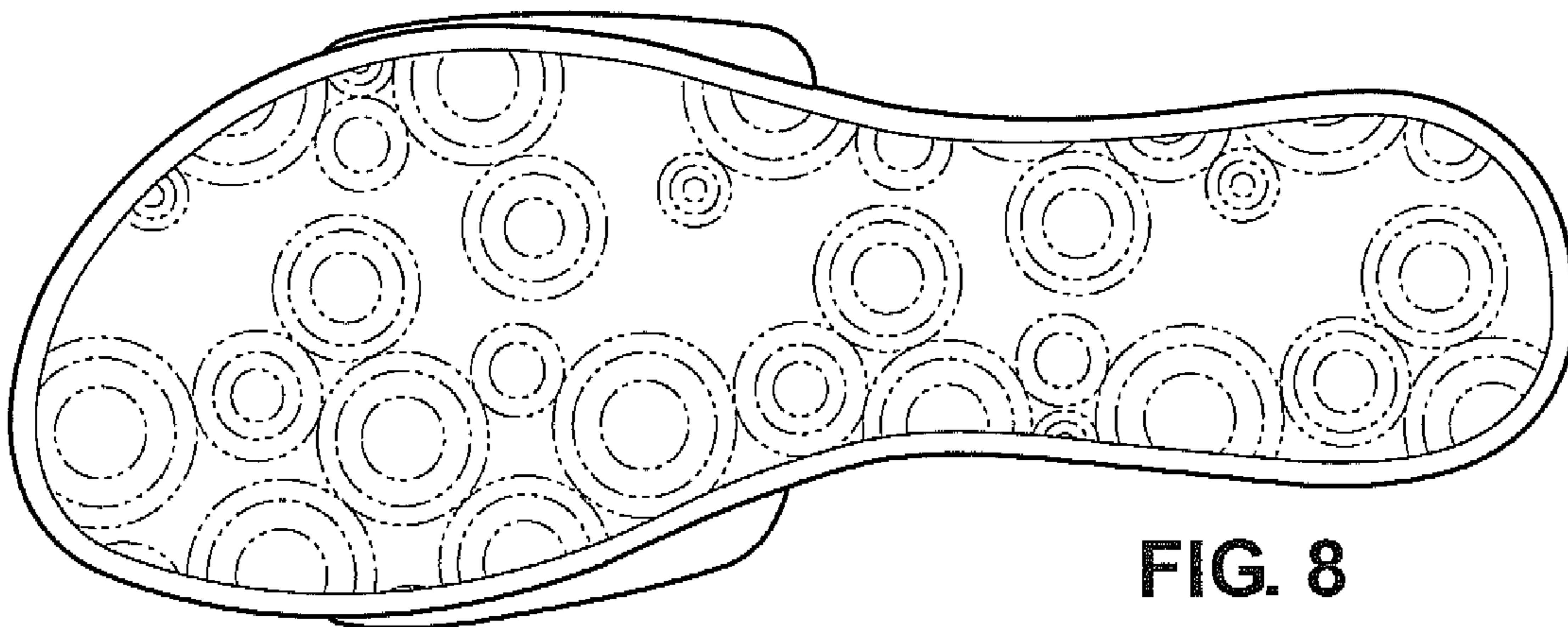
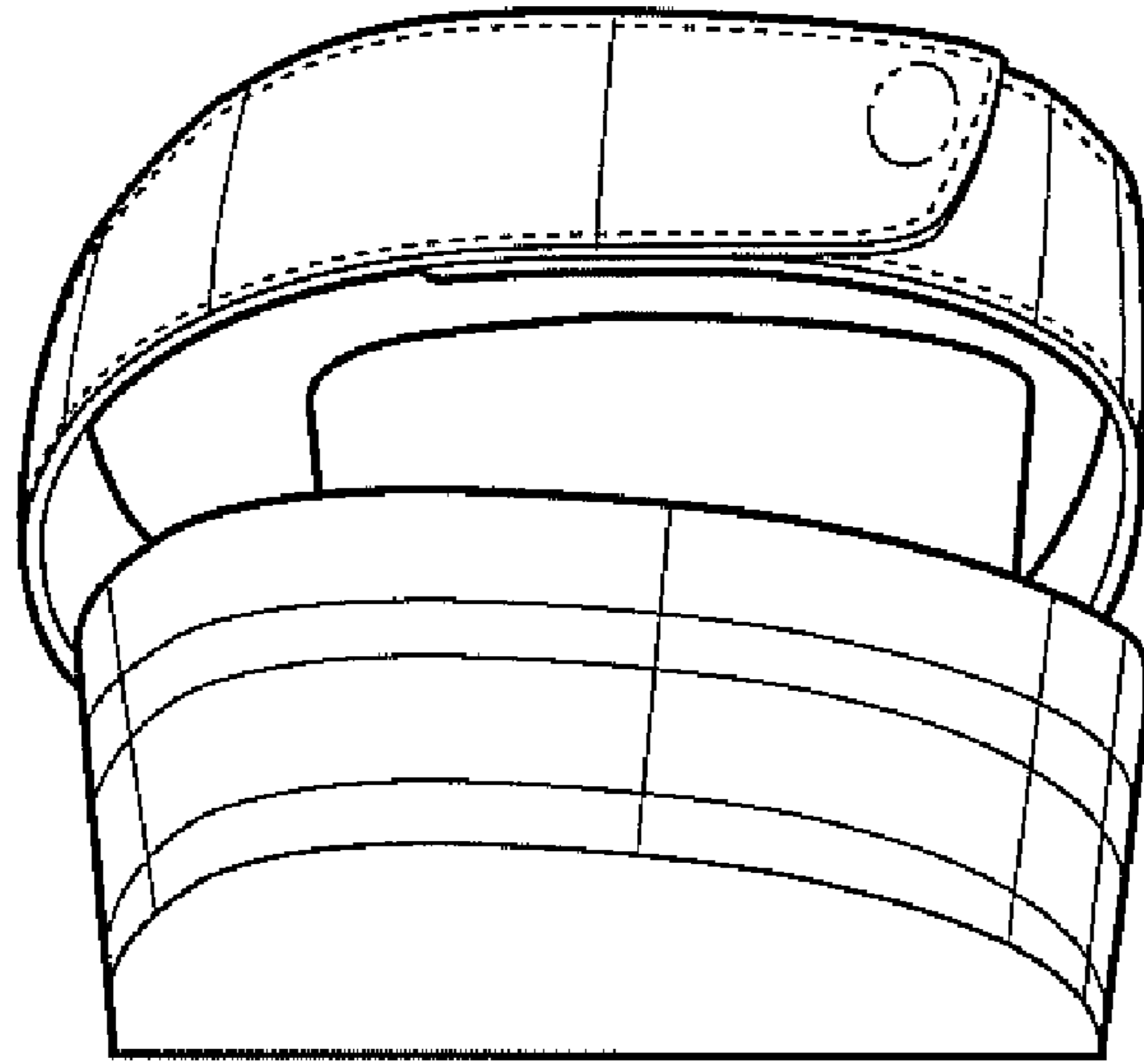
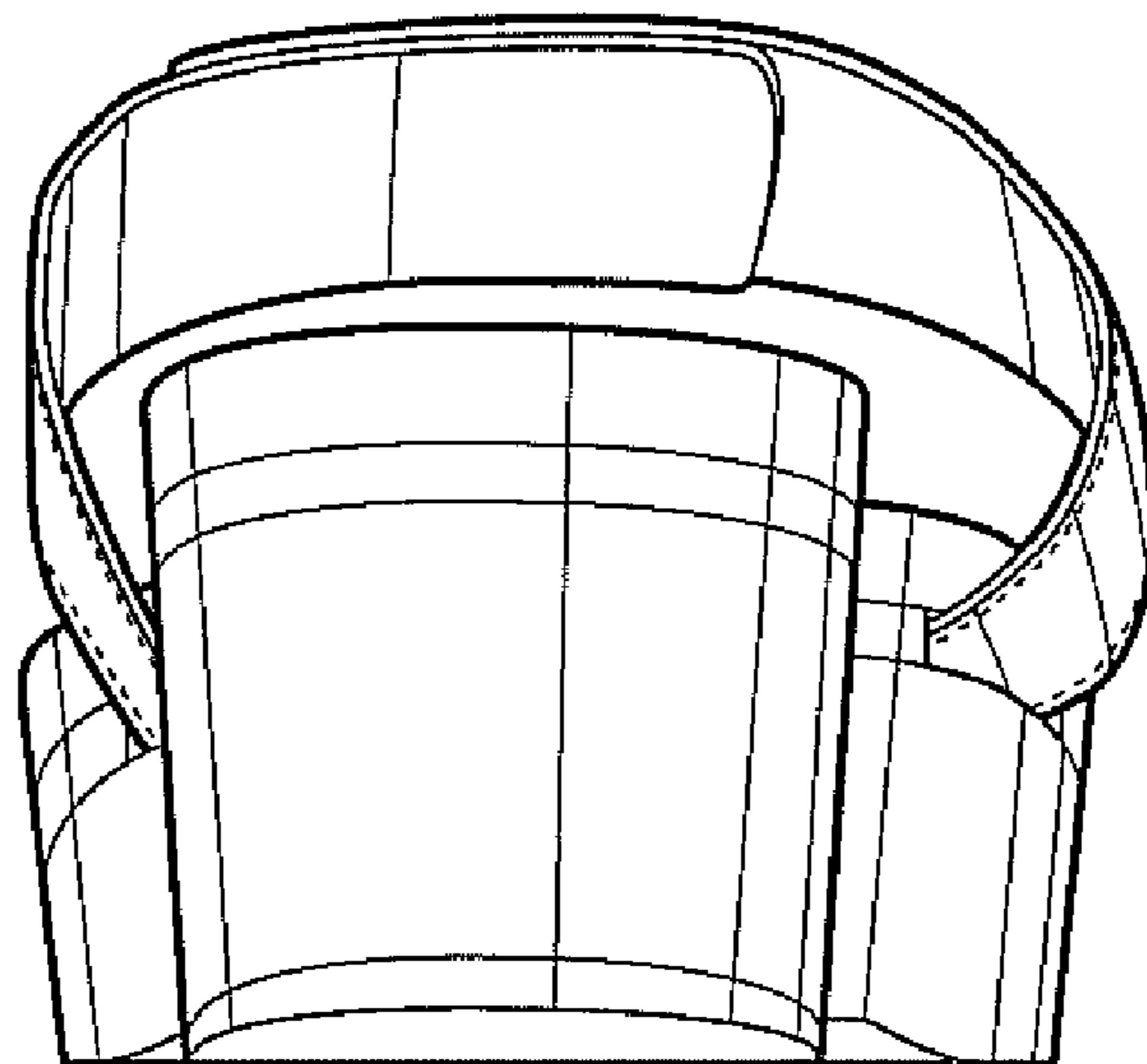


FIG. 8



**FIG. 9**



**FIG. 10**