



US00D615733S

(12) **United States Design Patent**
Chappell

(10) **Patent No.:** **US D615,733 S**
(45) **Date of Patent:** **** May 18, 2010**

(54) **CAP WITH HOLDERS FOR EYEGLASSES**

(76) Inventor: **Kevin Chappell**, 1736 Belle Shoals Rd.,
Pickens, SC (US) 29671

(**) Term: **14 Years**

(21) Appl. No.: **29/314,787**

(22) Filed: **Apr. 30, 2009**

(51) **LOC (9) Cl.** **02-03**

(52) **U.S. Cl.** **D2/886**

(58) **Field of Classification Search** D2/865,
D2/866, 867, 868, 869, 870, 871, 872, 873,
D2/874, 875, 876, 877, 878, 879, 880, 881,
D2/882, 883, 884, 886, 889, 891, 893, 895;
2/171, 171.4, 171.5, 171.6, 171.7, 171.8,
2/175.1, 181, 183, 195.1, 195.2, 195.3, 195.4,
2/200.1, 209.12

See application file for complete search history.

(56) **References Cited**

U.S. PATENT DOCUMENTS

1,266,142	A *	5/1918	Motsch	40/342
D175,846	S *	10/1955	Marsden	D2/869
4,179,753	A *	12/1979	Aronberg et al.	2/10
D363,157	S *	10/1995	Rodgers	D2/866
D384,488	S *	10/1997	Kaufman	D2/866
D384,789	S *	10/1997	Crabb et al.	D2/866
D396,738	S *	8/1998	Territo	D2/866
5,799,334	A *	9/1998	Griffith et al.	2/195.1
5,860,167	A *	1/1999	Lizio	2/209.13
5,894,604	A *	4/1999	Crabb et al.	2/209.13
D417,544	S *	12/1999	Richlin	D2/883
D427,751	S *	7/2000	Richlin	D2/866
6,170,086	B1 *	1/2001	Lee	2/195.3
6,237,159	B1 *	5/2001	Martin	2/209.12
D455,539	S *	4/2002	Kates	D2/882

6,442,764	B1 *	9/2002	Badillo et al.	2/209.13
6,457,184	B1 *	10/2002	Adams	2/209.13
6,792,619	B1 *	9/2004	Morris et al.	2/10
7,003,809	B1 *	2/2006	Gordon	2/209.13
D539,012	S *	3/2007	Evans	D2/882
D571,982	S *	7/2008	Kirby	D2/882
D582,634	S *	12/2008	Lagassey	D2/866
2002/0095715	A1 *	7/2002	Hong	2/209.11
2002/0108165	A1 *	8/2002	Porter et al.	2/195.2
2007/0220656	A1 *	9/2007	Cotutsca	2/171

* cited by examiner

Primary Examiner—Elizabeth A Albert

Assistant Examiner—Karen E Eldridge Powers

(74) *Attorney, Agent, or Firm*—Paul R. Martin

(57) **CLAIM**

The ornamental design for a cap with holders for eyeglasses, as shown and described.

DESCRIPTION

FIG. 1 is a perspective view of the cap with holders for eyeglasses of this invention.

FIG. 2 is a left side elevational view of the cap with holders for eyeglasses shown in FIG. 1.

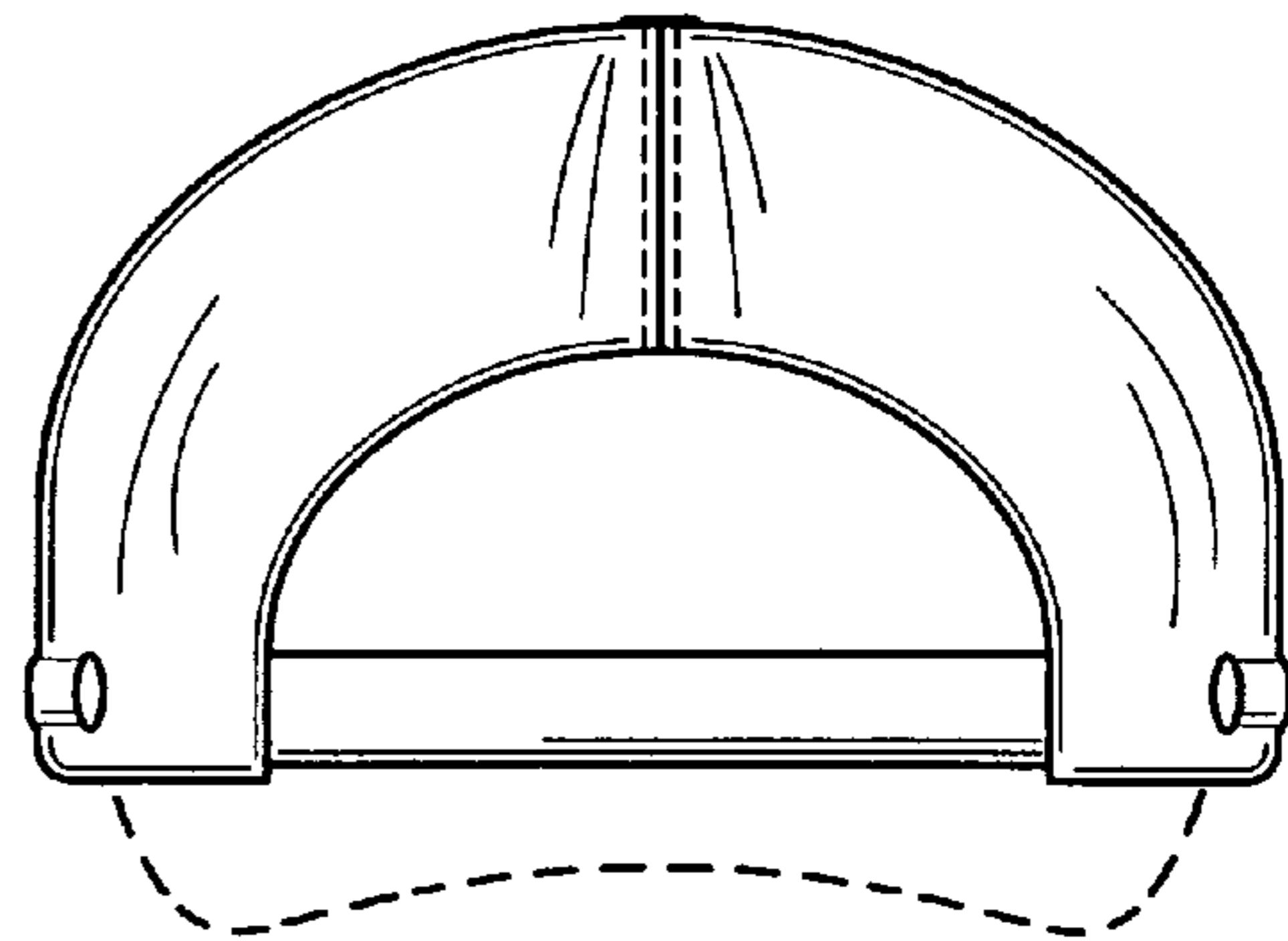
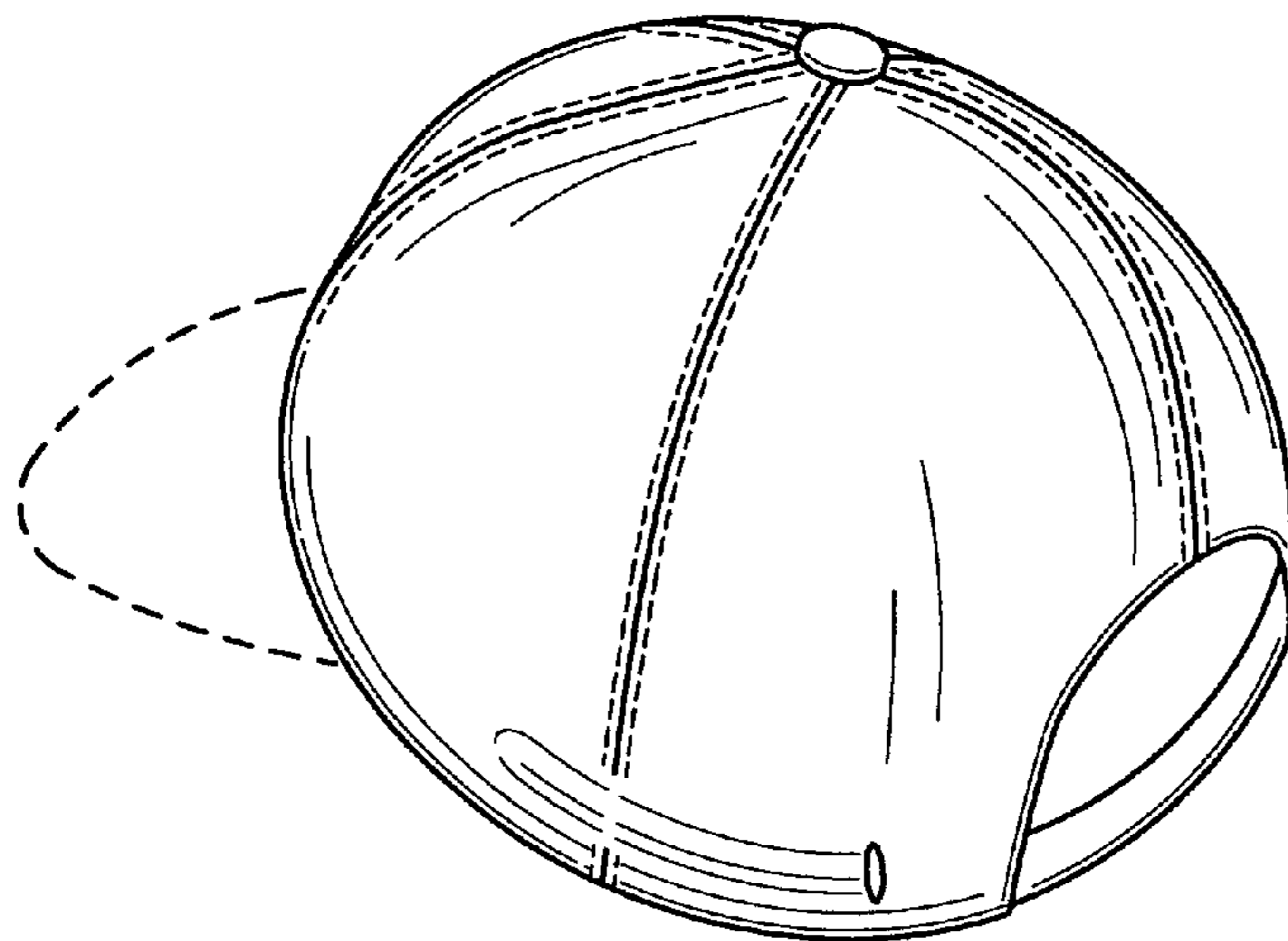
FIG. 3 is a rear elevational view of the cap with holders for eyeglasses shown in FIG. 1; and,

FIG. 4 is a right side elevational view of the cap with holders for eyeglasses shown in FIG. 1.

The broken lines depicting a visor at the front of the cap in FIGS. 1–4 illustrate environmental matter and form no part of the claimed design.

The evenly spaced broken lines extending from the base to the crown of the cap in FIGS. 1–4 illustrate stitching, and form a part of the claimed design.

1 Claim, 2 Drawing Sheets



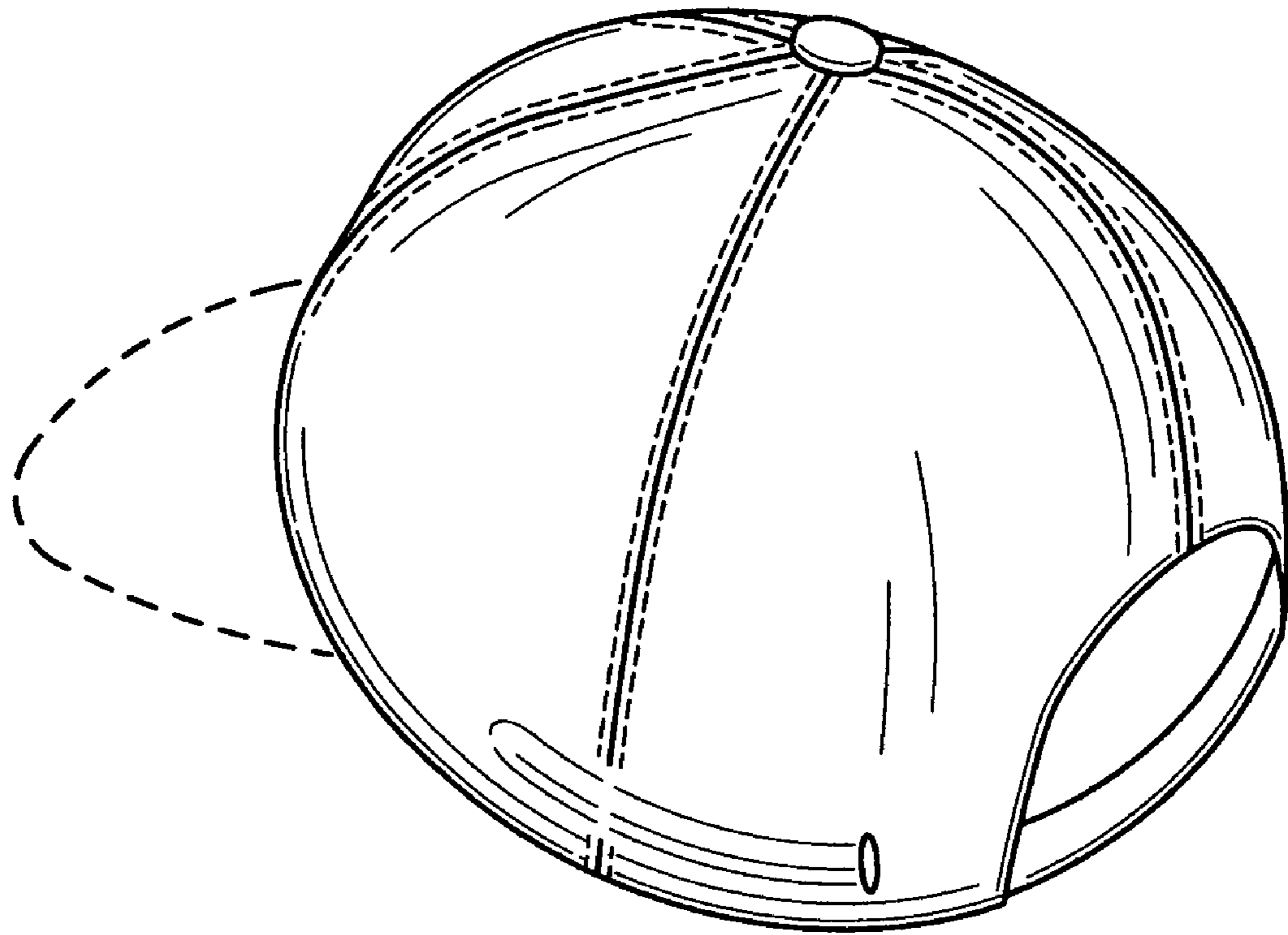


FIG. 1

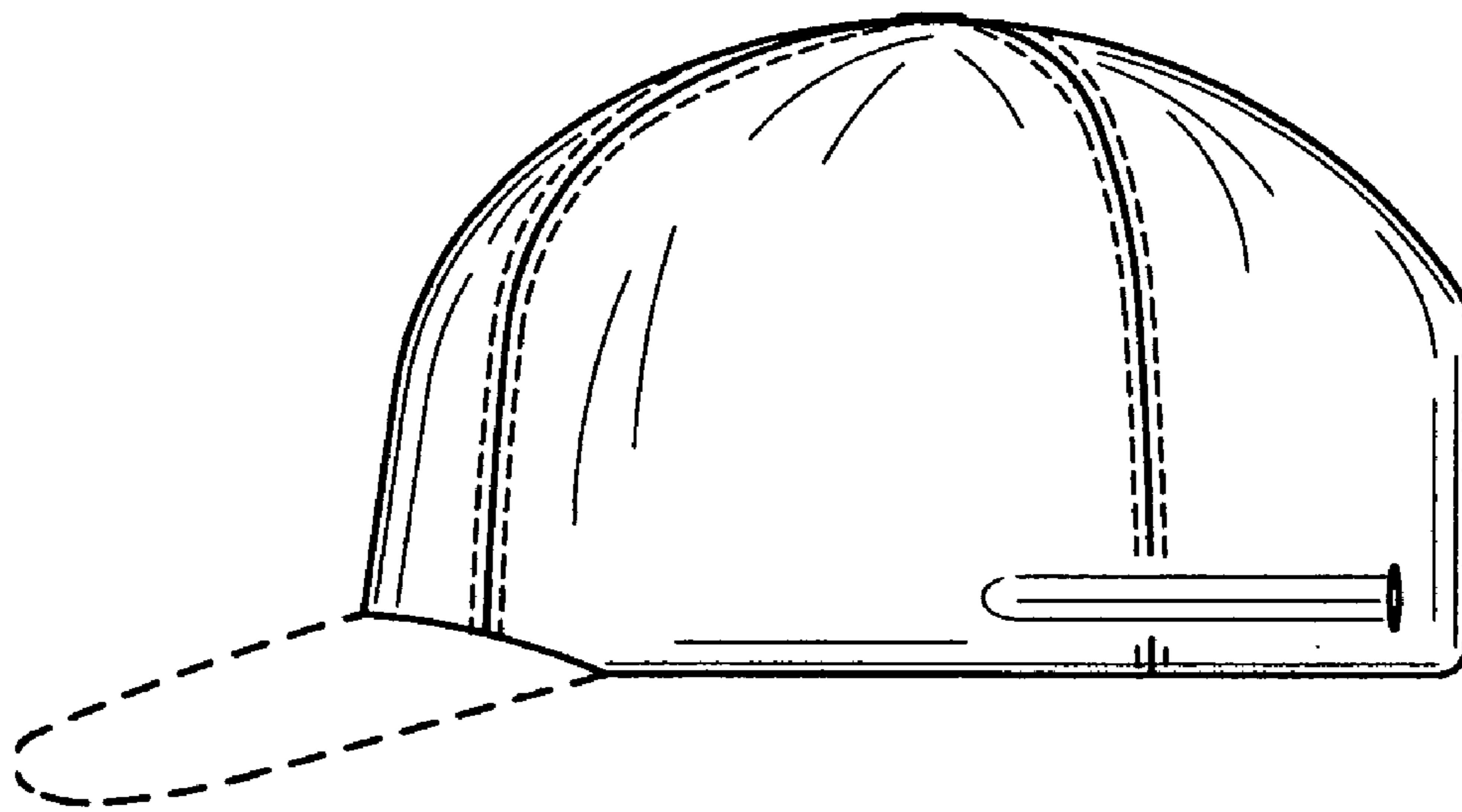


FIG. 2

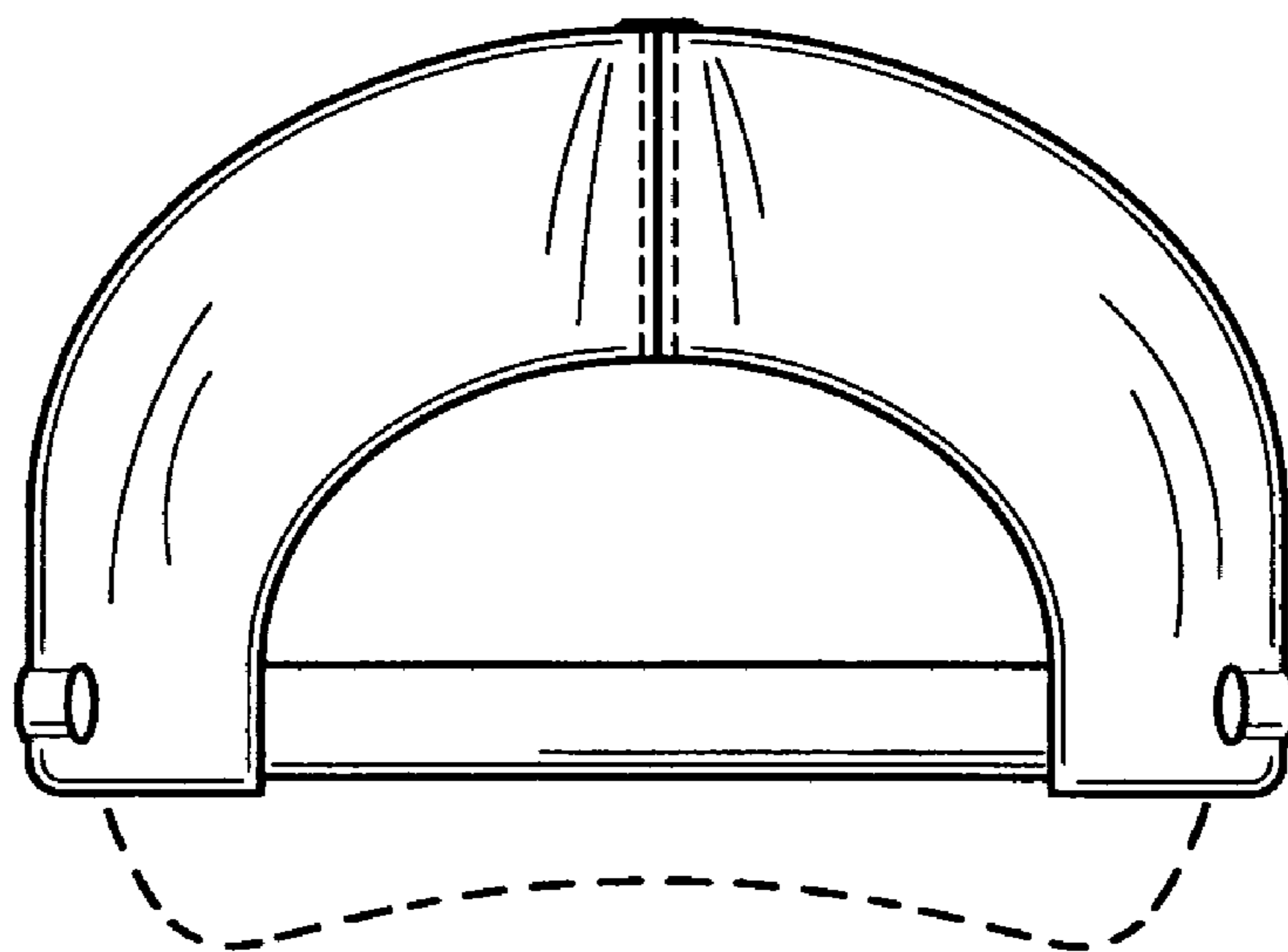


FIG. 3

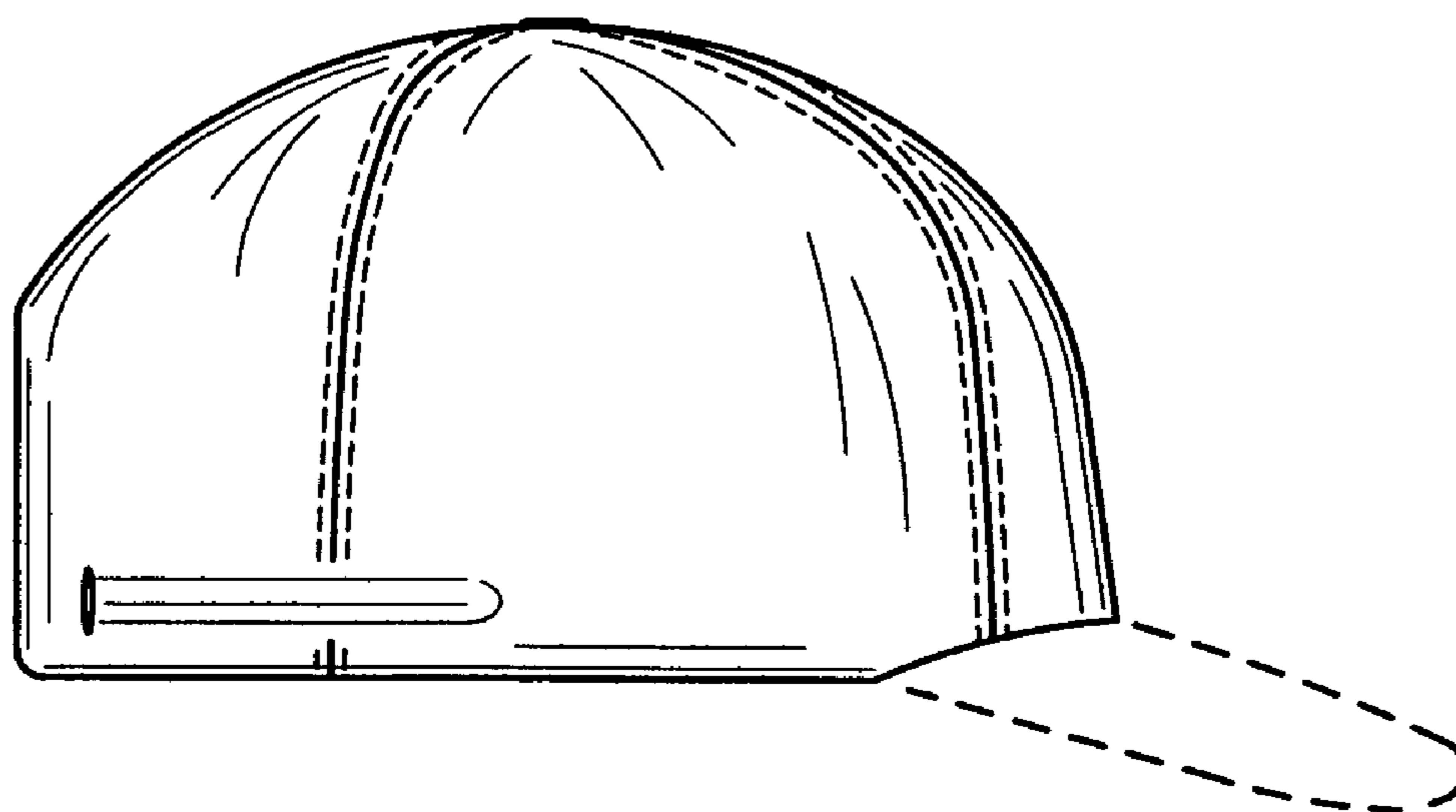


FIG. 4