



US00D615725S

(12) **United States Design Patent**
Phillips

(10) **Patent No.:** **US D615,725 S**

(45) **Date of Patent:** **** May 11, 2010**

(54) **LADDER LIFT**

(76) **Inventor:** **Kenneth D. Phillips**, 184 Wentworth Rd., Bolton Valley, VT (US) 05477

(**) **Term:** **14 Years**

(21) **Appl. No.:** **29/316,249**

(22) **Filed:** **Sep. 8, 2009**

(51) **LOC (9) Cl.** **12-05**

(52) **U.S. Cl.** **D34/28; D25/68**

(58) **Field of Classification Search** D34/33,
D34/35, 28; D25/69, 68; 248/236, 238;
182/129, 102, 103

See application file for complete search history.

(56) **References Cited**

U.S. PATENT DOCUMENTS

3,666,054	A	5/1972	Ellings et al.	
3,891,062	A *	6/1975	Geneste	187/245
4,598,795	A	7/1986	Larson	
4,911,266	A	3/1990	McMakin et al.	
5,544,718	A *	8/1996	Schumacher	182/129
D390,669	S *	2/1998	Armstrong et al.	D25/69
5,738,185	A *	4/1998	Sears	182/102
D401,354	S *	11/1998	LaValle	D25/68
D482,175	S *	11/2003	Lissandre	D34/33
D495,107	S *	8/2004	Thurm	D34/28
6,782,972	B1	8/2004	Hatch et al.	
7,246,682	B1	7/2007	Hatch	
7,424,932	B1 *	9/2008	Murphy	182/103

* cited by examiner

Primary Examiner—Doris Clark

(74) *Attorney, Agent, or Firm*—Paul R. Martin

(57) **CLAIM**

The ornamental design for a ladder lift, as shown and described.

DESCRIPTION

FIG. 1 is a perspective view of the ladder lift of this invention. The hook members are shown separated in this view.

FIG. 2 is a plan view from the top of the ladder lift of this invention.

FIG. 3 is an elevational side view of the ladder lift of this invention.

FIG. 4 is an elevational side view of the opposite side of the ladder lift of the invention to that side shown in FIG. 3.

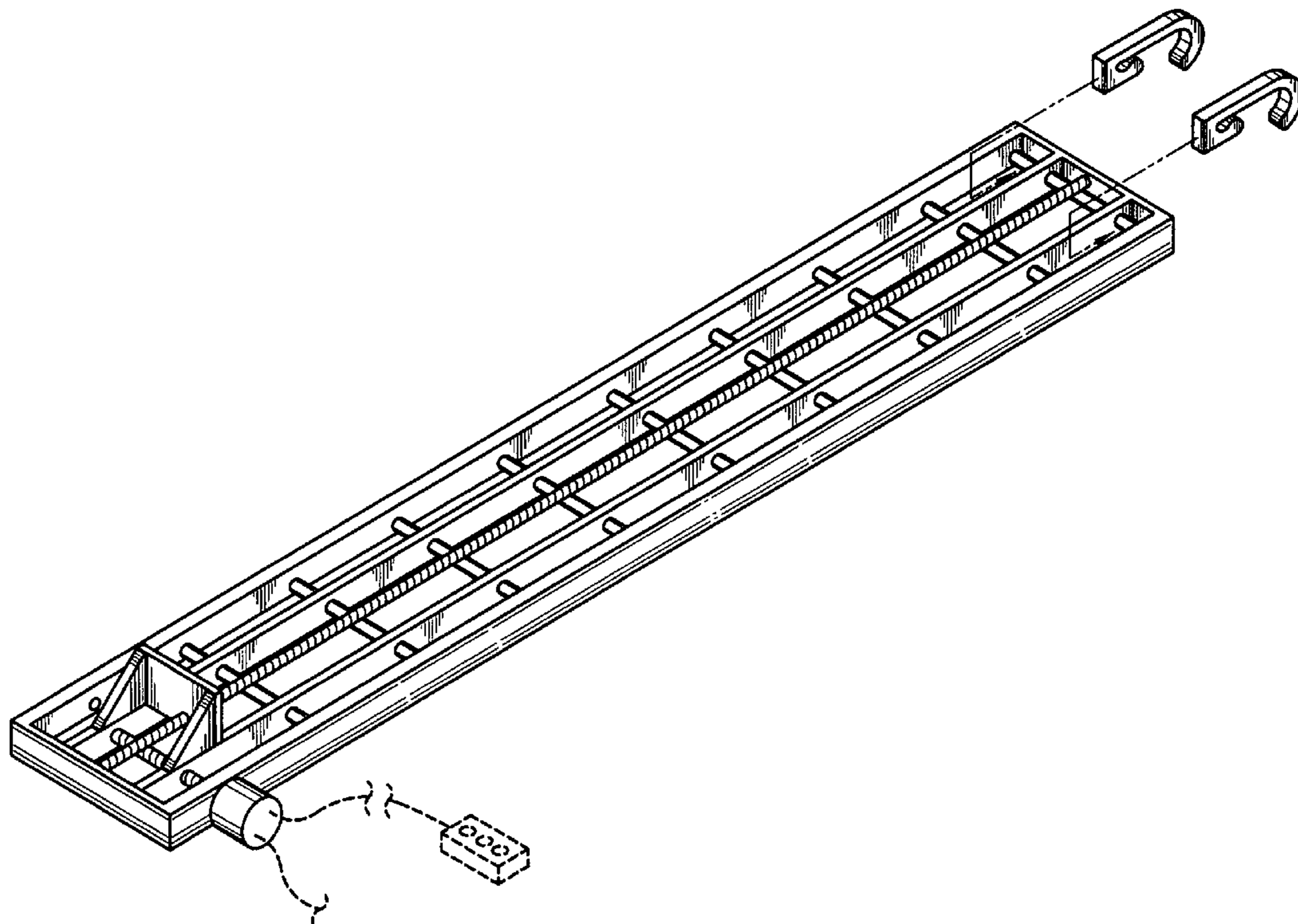
FIG. 5 is a plan view from the bottom of the ladder lift of the invention.

FIG. 6 is an end view from the top of the ladder lift of the invention; and,

FIG. 7 is an end view from the bottom of the ladder lift of the invention.

The broken lines are for illustrative purposes only and form no part of the claimed design.

1 Claim, 4 Drawing Sheets



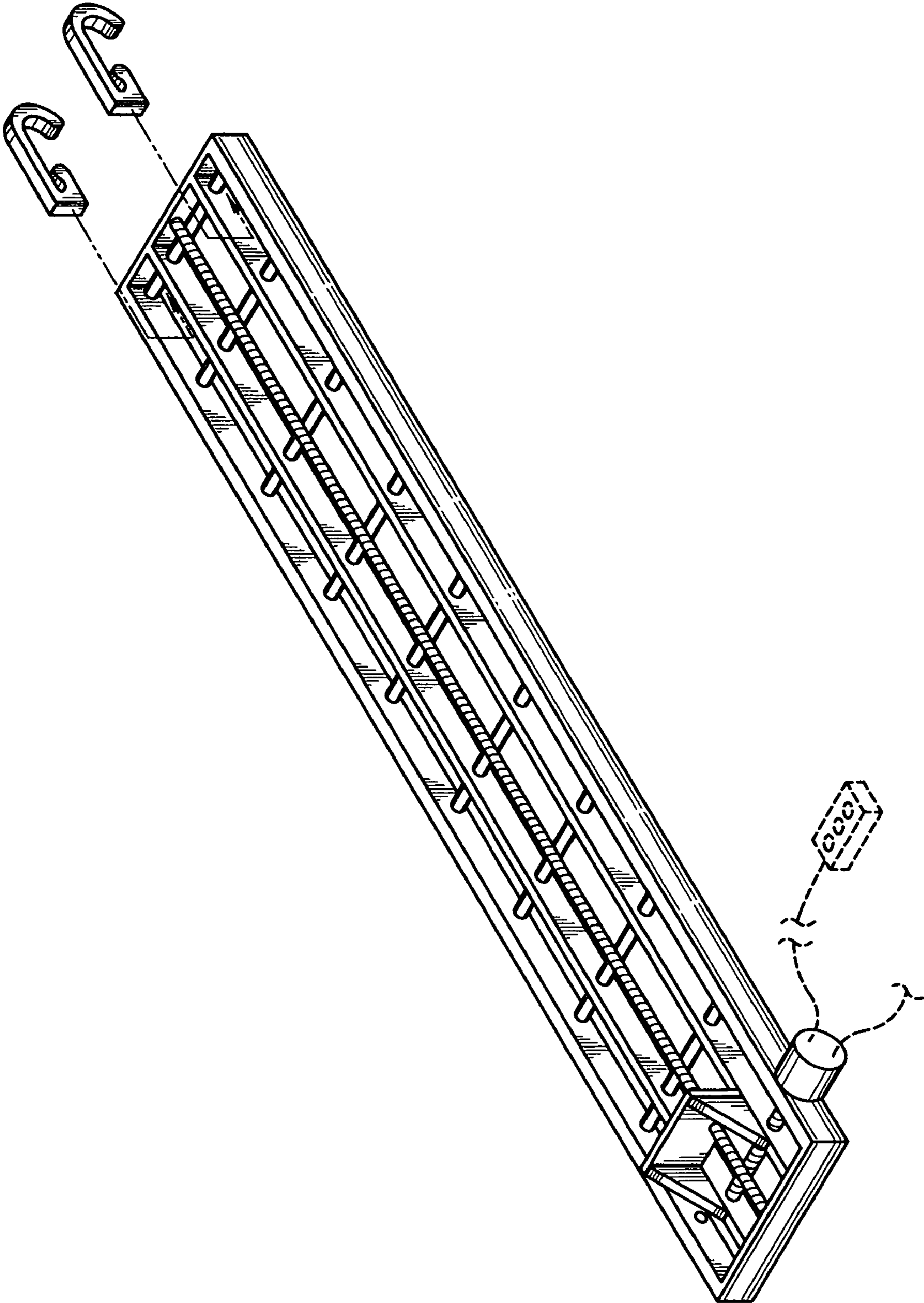


FIG. 1

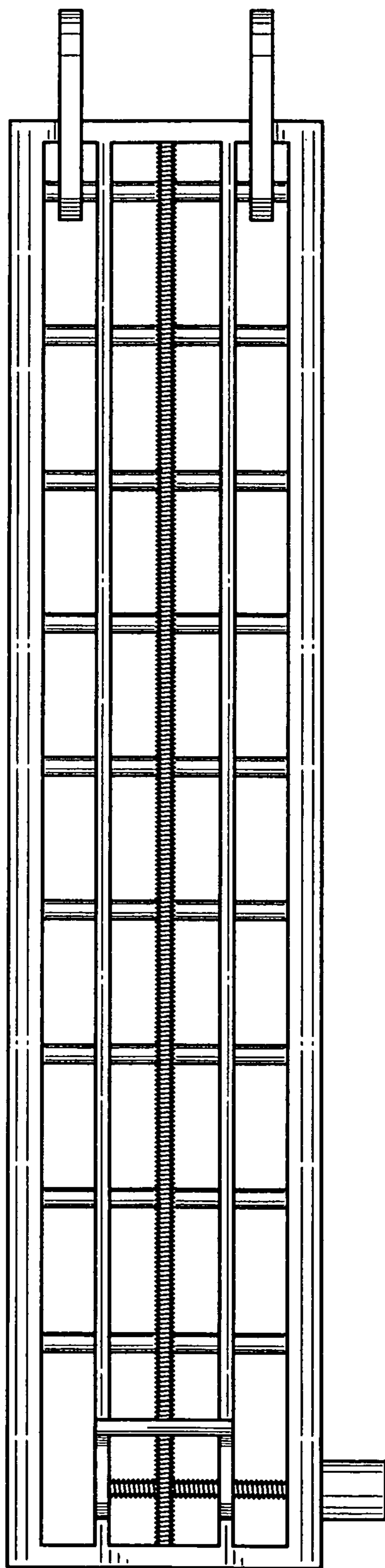


FIG. 2

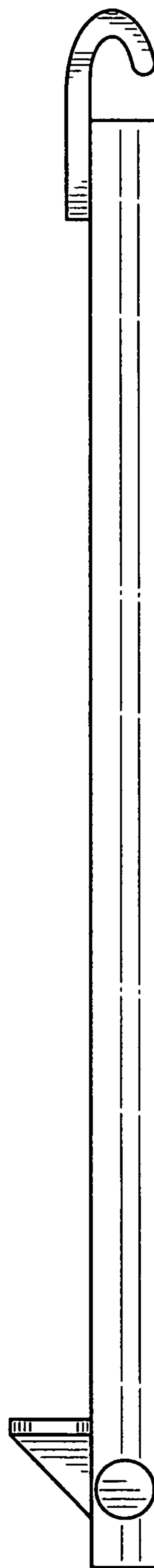


FIG. 3



FIG. 4

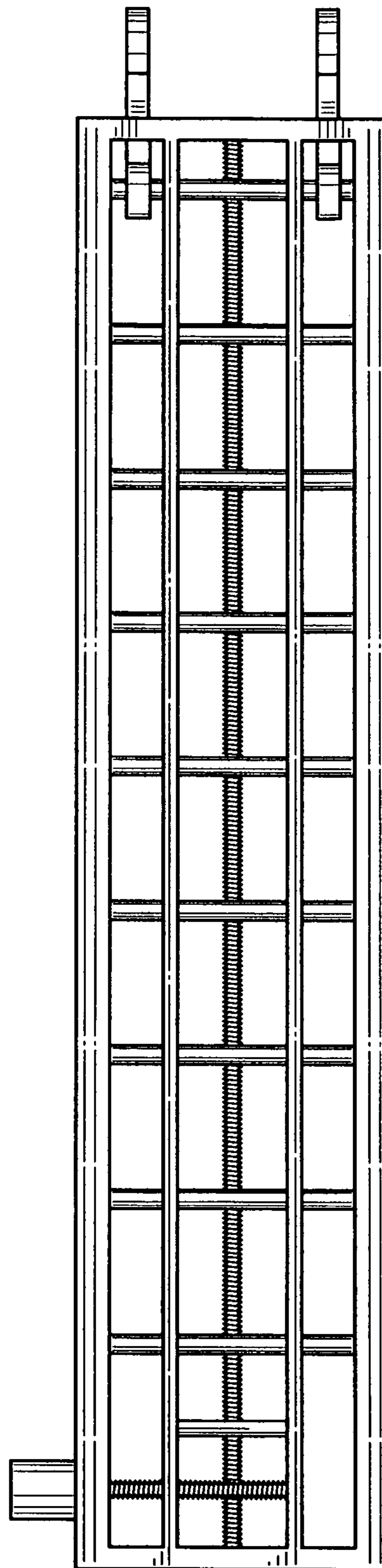


FIG. 5



FIG. 6

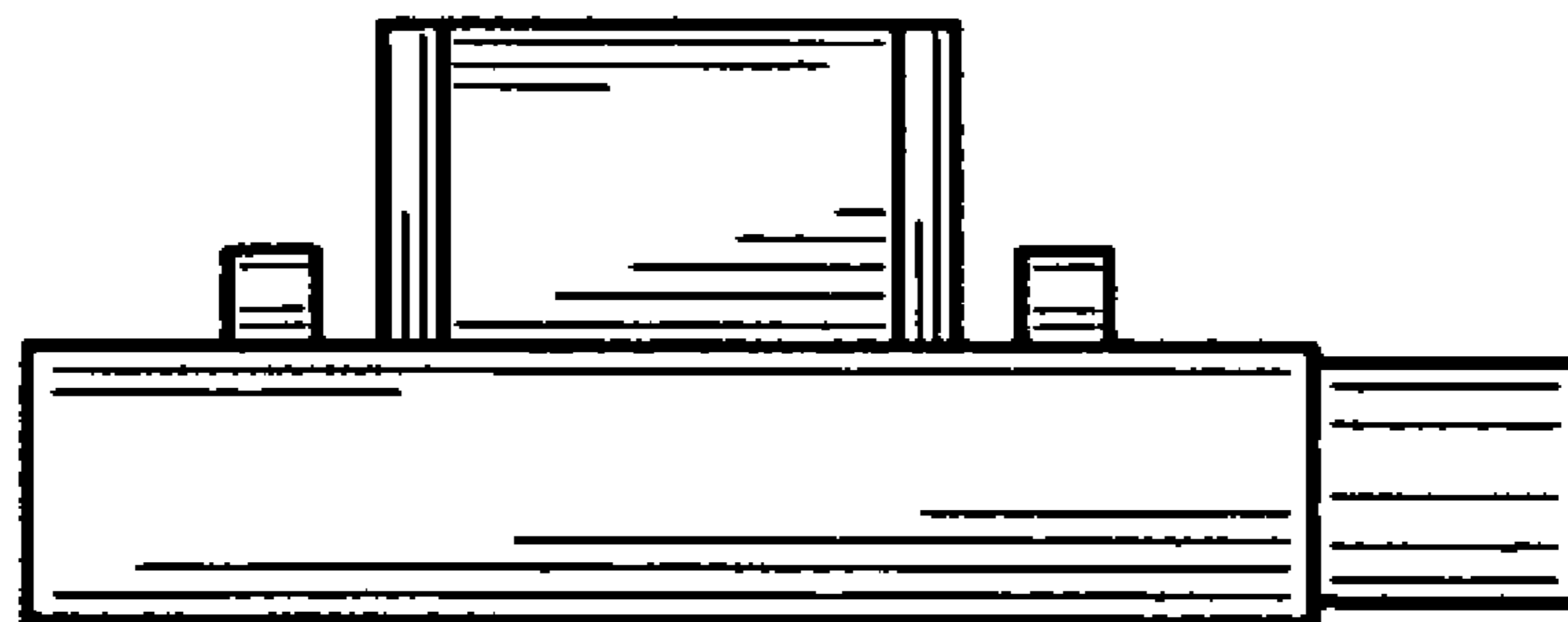


FIG. 7