



US00D615724S

(12) **United States Design Patent**  
**Girard**

(10) **Patent No.:** **US D615,724 S**

(45) **Date of Patent:** **\*\* May 11, 2010**

(54) **HEALTH CARE CART**

(75) Inventor: **Benoit Girard**, Repentigny (CA)

(73) Assignee: **Adaptaide Inc.**, Le Gardeur, QC (CA)

(\*\*) Term: **14 Years**

(21) Appl. No.: **29/316,165**

(22) Filed: **Aug. 31, 2009**

(51) **LOC (9) Cl.** ..... **12-02**

(52) **U.S. Cl.** ..... **D34/17; D24/185**

(58) **Field of Classification Search** ..... D34/12-27;  
D24/185; 280/47.26, 652, 47.27, 654, 79.5,  
280/47.29, 33.991, 33.992, 33.993

See application file for complete search history.

(56) **References Cited**

**U.S. PATENT DOCUMENTS**

1,985,412	A	12/1934	Jackson	
D180,868	S *	8/1957	Diehl	D34/24
D288,147	S	2/1987	Helinski	
5,351,983	A *	10/1994	Descalo	280/646
D368,726	S	4/1996	Few	
5,967,544	A *	10/1999	Kanta	280/652
D447,567	S	9/2001	Murphy et al.	
D448,391	S	9/2001	Stauffer et al.	
D451,257	S *	11/2001	Moritsch	D34/24
D473,989	S *	4/2003	Hittle	D34/18
D477,620	S	7/2003	Few	

6,827,357	B2	12/2004	Calmeise et al.	
D575,023	S	6/2008	Girard	
D606,722	S *	12/2009	Walter	D34/12
2009/0206568	A1 *	8/2009	Lee	280/47.26

\* cited by examiner

*Primary Examiner*—Cynthia E Ramirez

(57) **CLAIM**

The ornamental design for a health care cart, as shown and described.

**DESCRIPTION**

FIG. 1 is a top perspective view of a health care cart showing my new design;

FIG. 2 is a top plan view thereof;

FIG. 3 is a right side elevational view thereof;

FIG. 4 is a rear elevational view thereof;

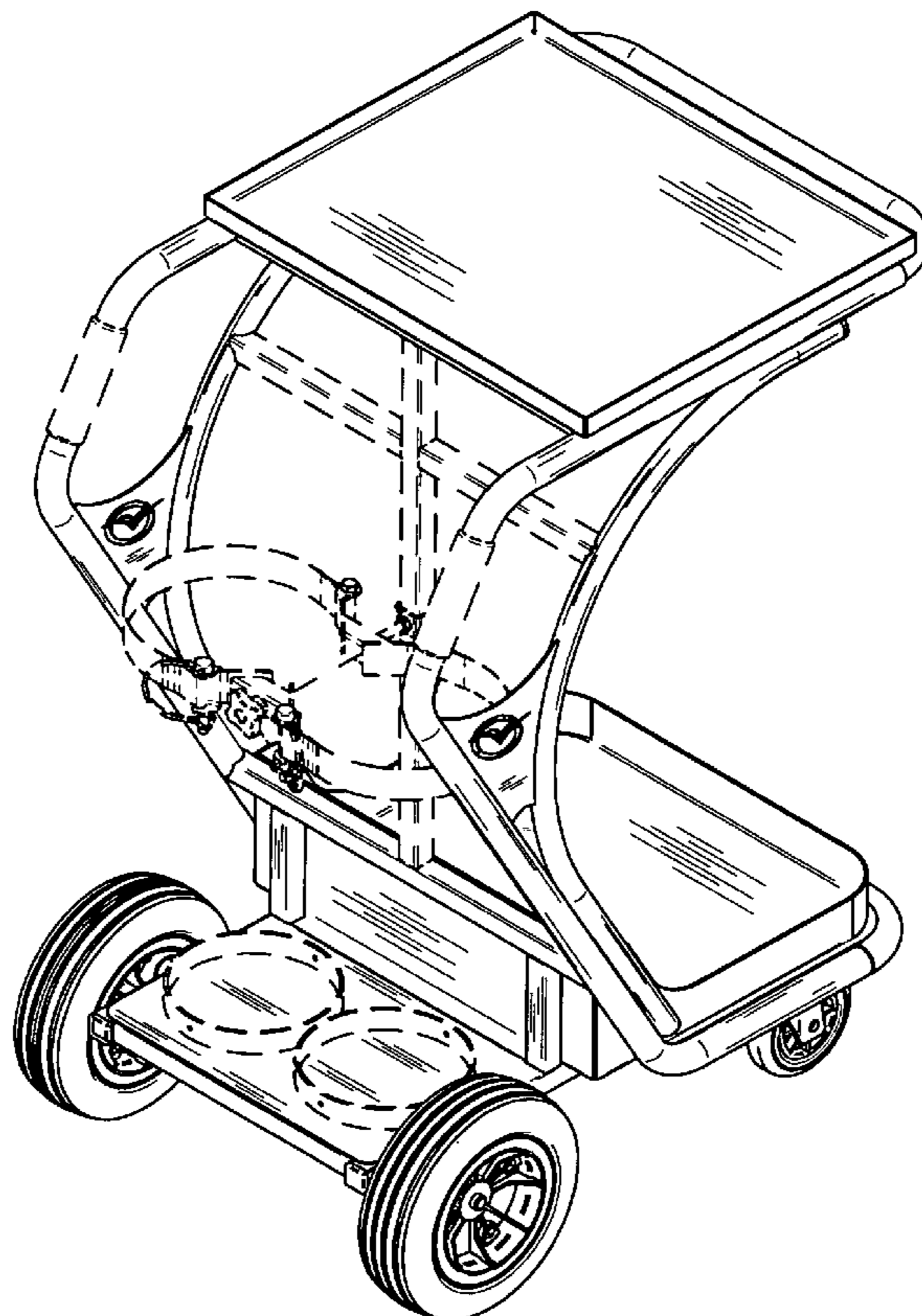
FIG. 5 is a front elevational view thereof;

FIG. 6 is a left side elevational view thereof; and,

FIG. 7 is a top perspective view of a cart showing alternative view of my new design.

The broken line showing of rubber handles, tank attachment, tank localization rings in FIGS. 1 through 6 and the elements shown in broken lines in FIG. 7 are to shown environment and form no part of the claimed design.

**1 Claim, 6 Drawing Sheets**



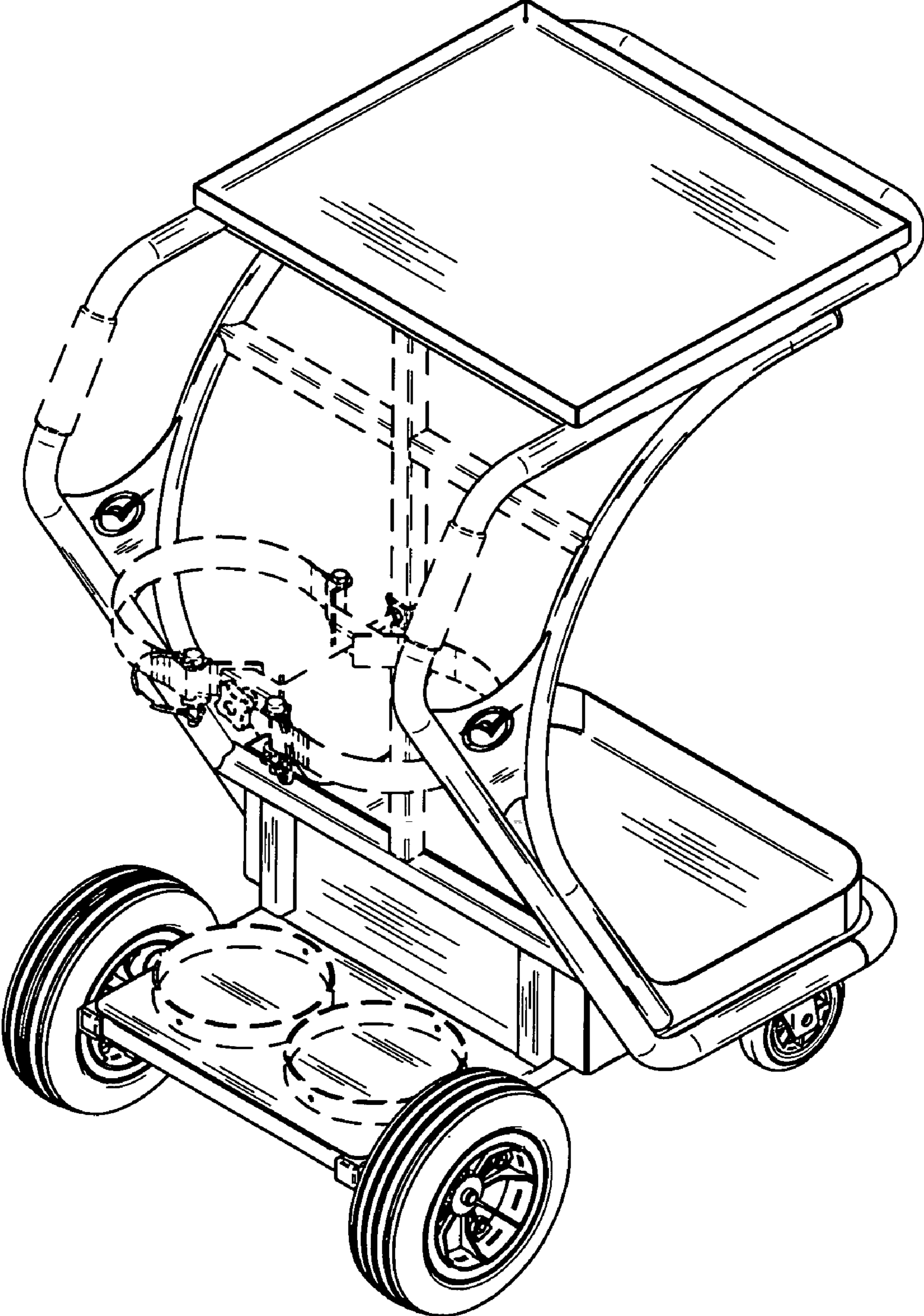


FIG.1

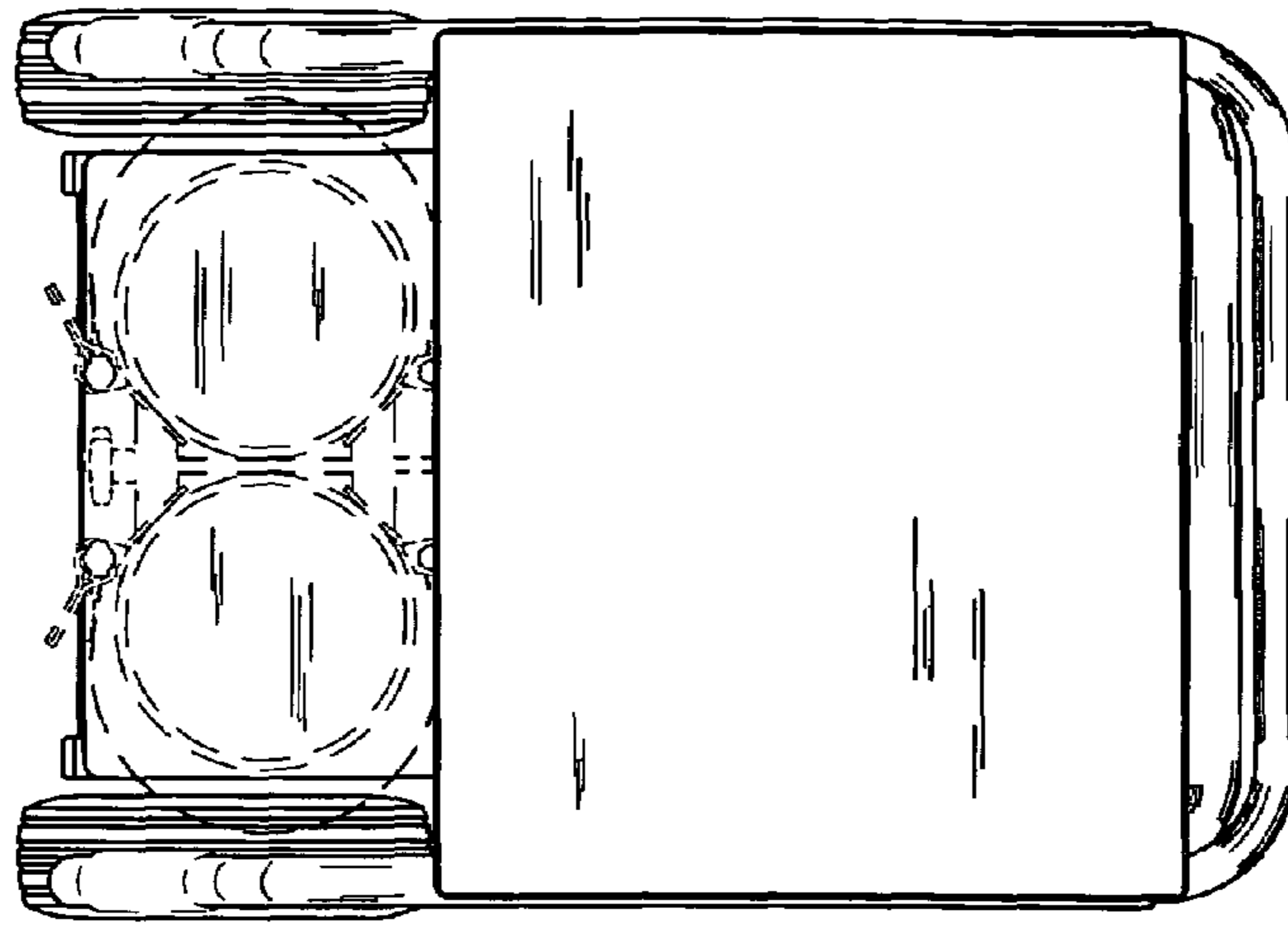


FIG. 2

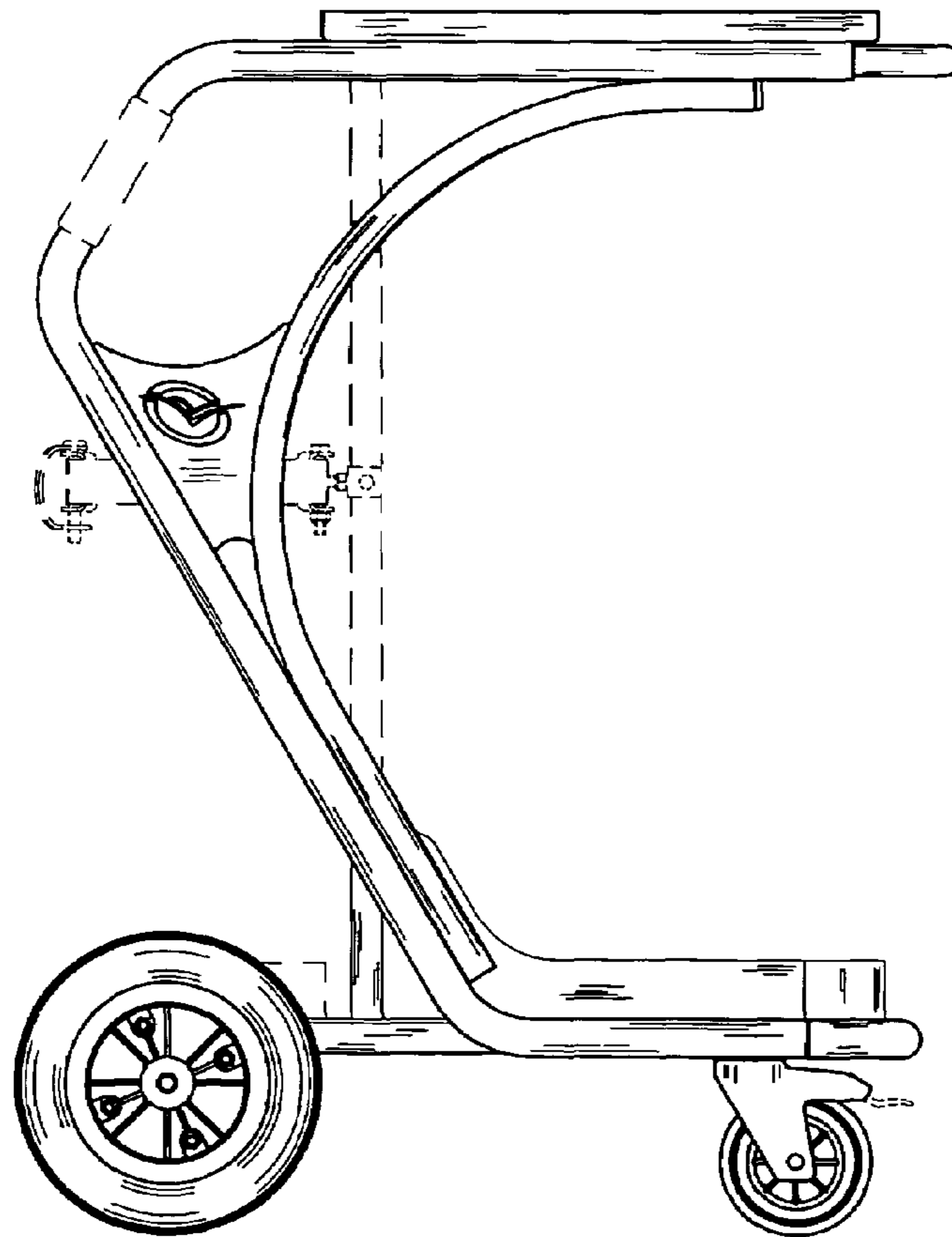


FIG. 3

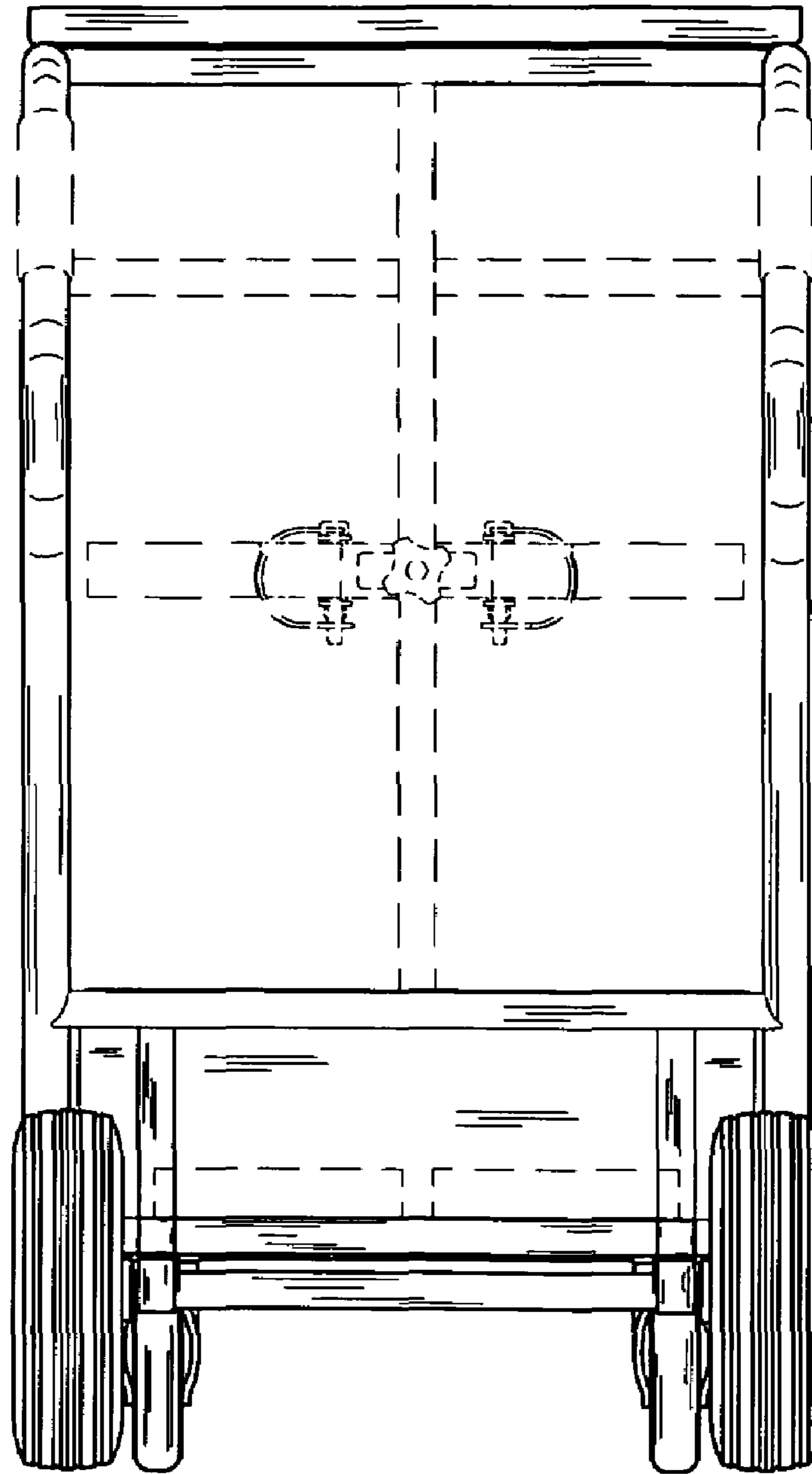


FIG.4



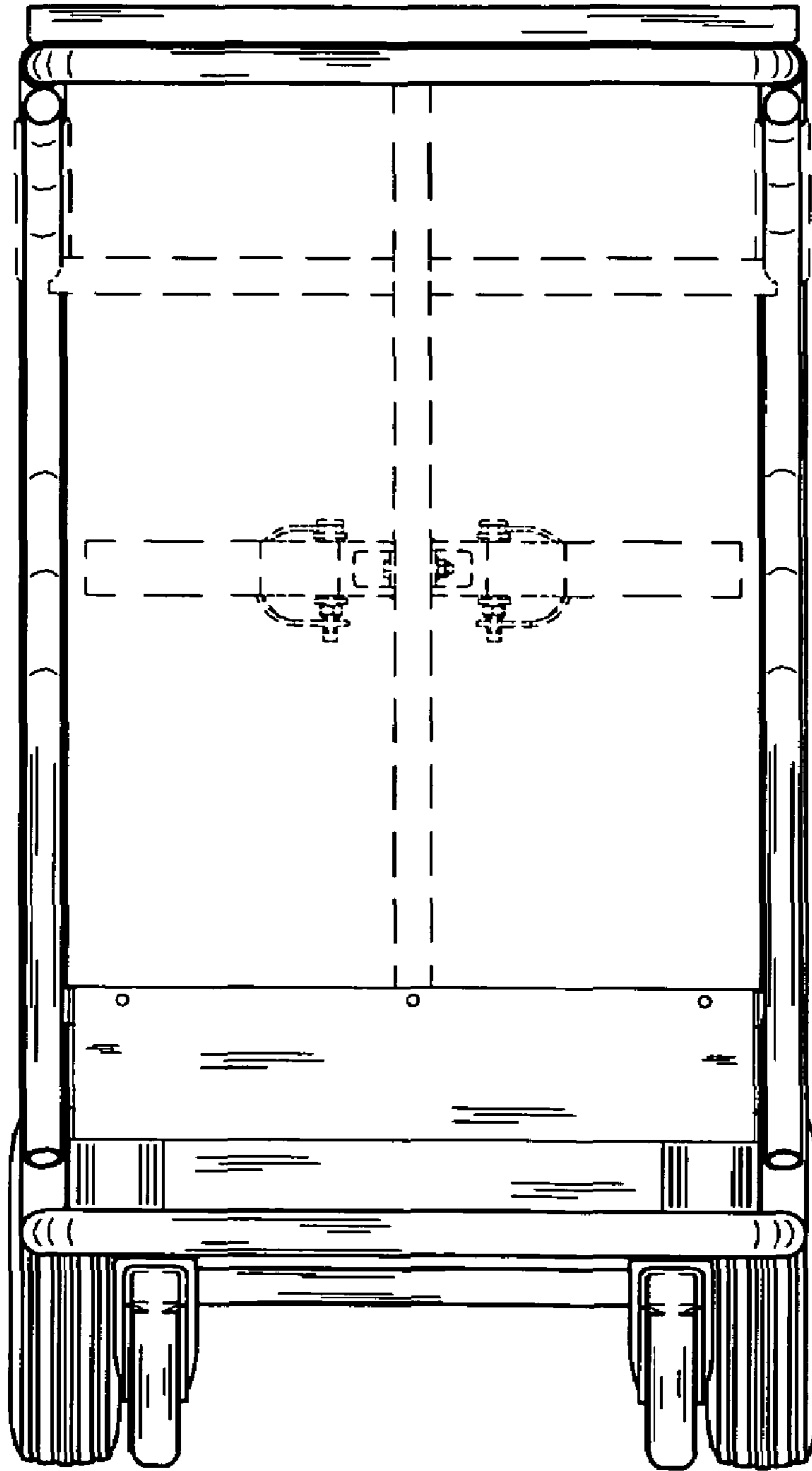


FIG.5

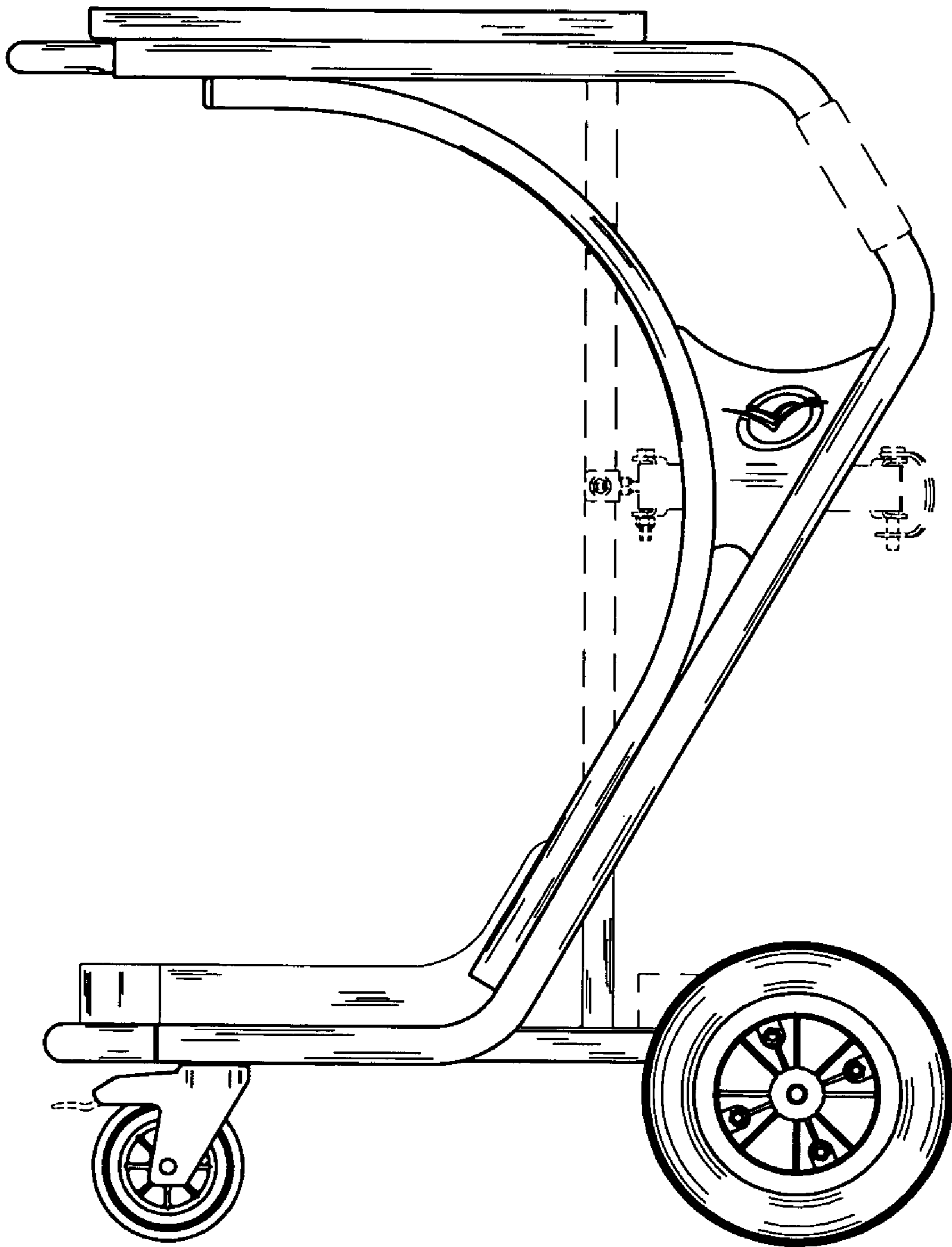


FIG.6

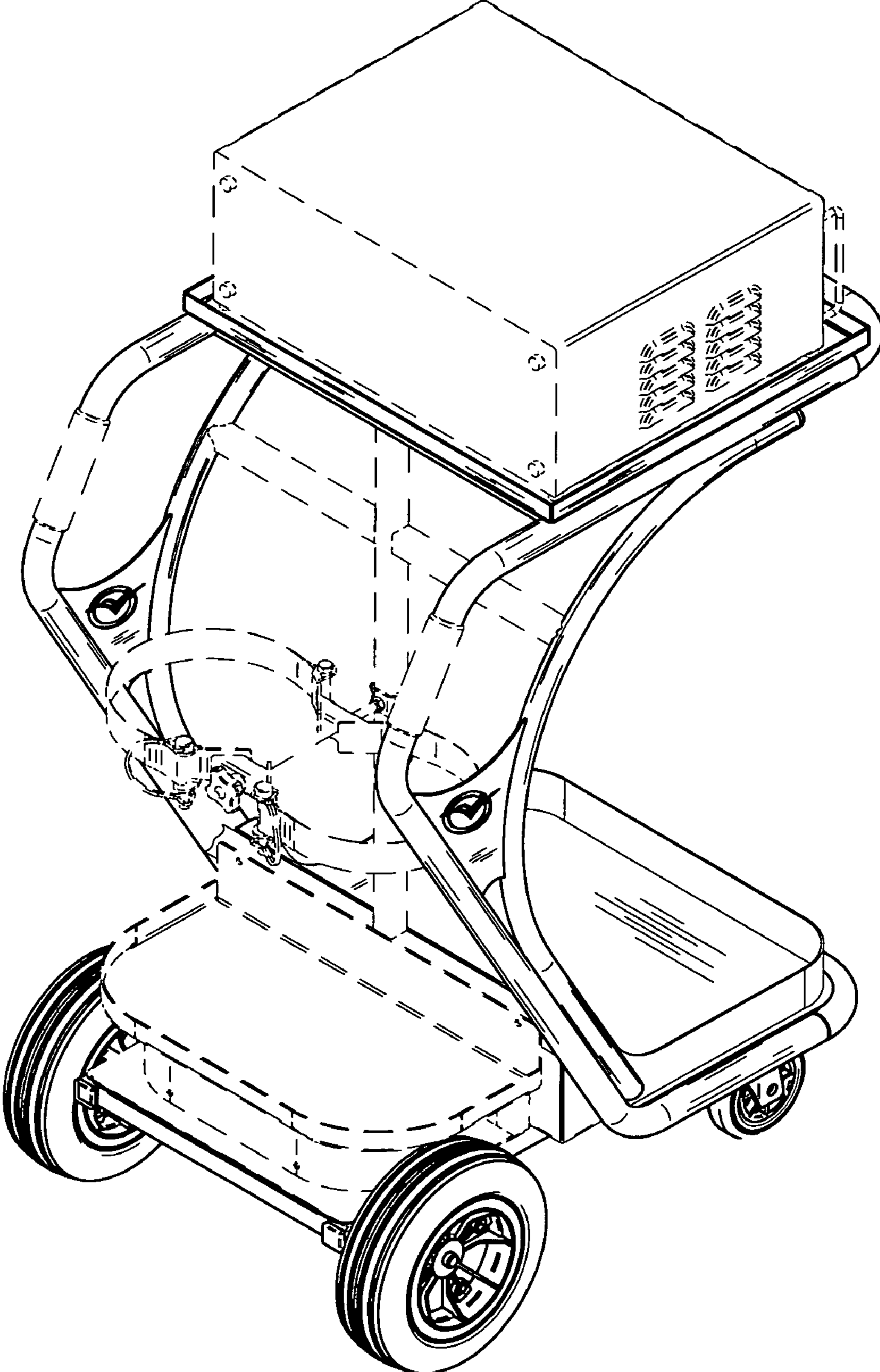


FIG.7