

US00D615722S

(12) **United States Design Patent**  
**Yang et al.**

(10) **Patent No.:** **US D615,722 S**

(45) **Date of Patent:** **\*\* May 11, 2010**

(54) **TRASH CAN**

D552,823 S \* 10/2007 Yang et al. .... D34/7

(75) Inventors: **Frank Yang**, Rancho Palos Verdes, CA (US); **Tzu-Hao Wei**, Hacienda Heights, CA (US); **Ken Sugimoto**, Irvine, CA (US); **Myk Wayne Lum**, Irvine, CA (US)

\* cited by examiner

*Primary Examiner*—Cynthia E Ramirez  
(74) *Attorney, Agent, or Firm*—Knobbe, Martens Olson & Bear LLP

(73) Assignee: **simplehuman, LLC**, Torrance, CA (US)

(57) **CLAIM**

(\*\*) Term: **14 Years**

The ornamental design for a trash can, as shown and described.

(21) Appl. No.: **29/334,146**

**DESCRIPTION**

(22) Filed: **Mar. 20, 2009**

(51) **LOC (9) Cl.** ..... **09-09**

(52) **U.S. Cl.** ..... **D34/7**

(58) **Field of Classification Search** ..... D34/1,  
D34/5, 6, 7, 8, 9, 10, 11; 220/908, 908.1,  
220/911, 913, 262–264

See application file for complete search history.

FIG. 1 is a front, top, and left side perspective view of a trash can embodying my new design;  
FIG. 2 is a rear elevational view thereof;  
FIG. 3 is a bottom plan view thereof;  
FIG. 4 is a front elevational view thereof;  
FIG. 5 is a left side elevational view thereof; and,  
FIG. 6 is a top plan view thereof.

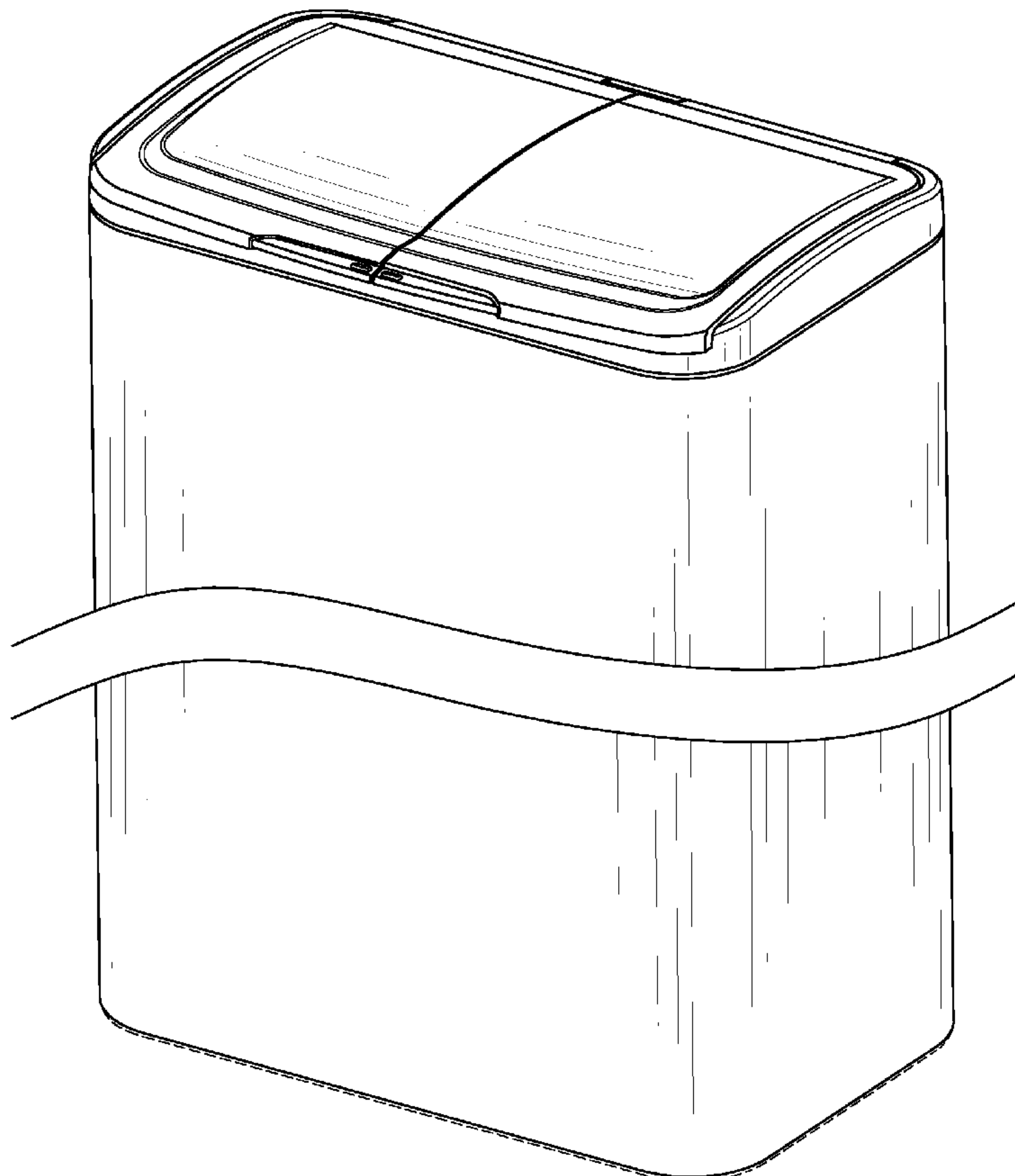
(56) **References Cited**

**U.S. PATENT DOCUMENTS**

4,765,579 A \* 8/1988 Robbins et al. .... 248/101  
D494,723 S \* 8/2004 Lin ..... D34/9  
7,086,550 B2 \* 8/2006 Yang et al. .... 220/263  
D537,599 S \* 2/2007 Lin ..... D34/7  
D537,601 S \* 2/2007 Lin ..... D34/9

The trash can in accordance with the present design can have any length, as indicated by the indefinite line length breaks in FIGS. 1, 2, 4, and 5. Additionally, all features illustrated in phantom line are expressly disclaimed and form no part of the claimed design.

**1 Claim, 6 Drawing Sheets**



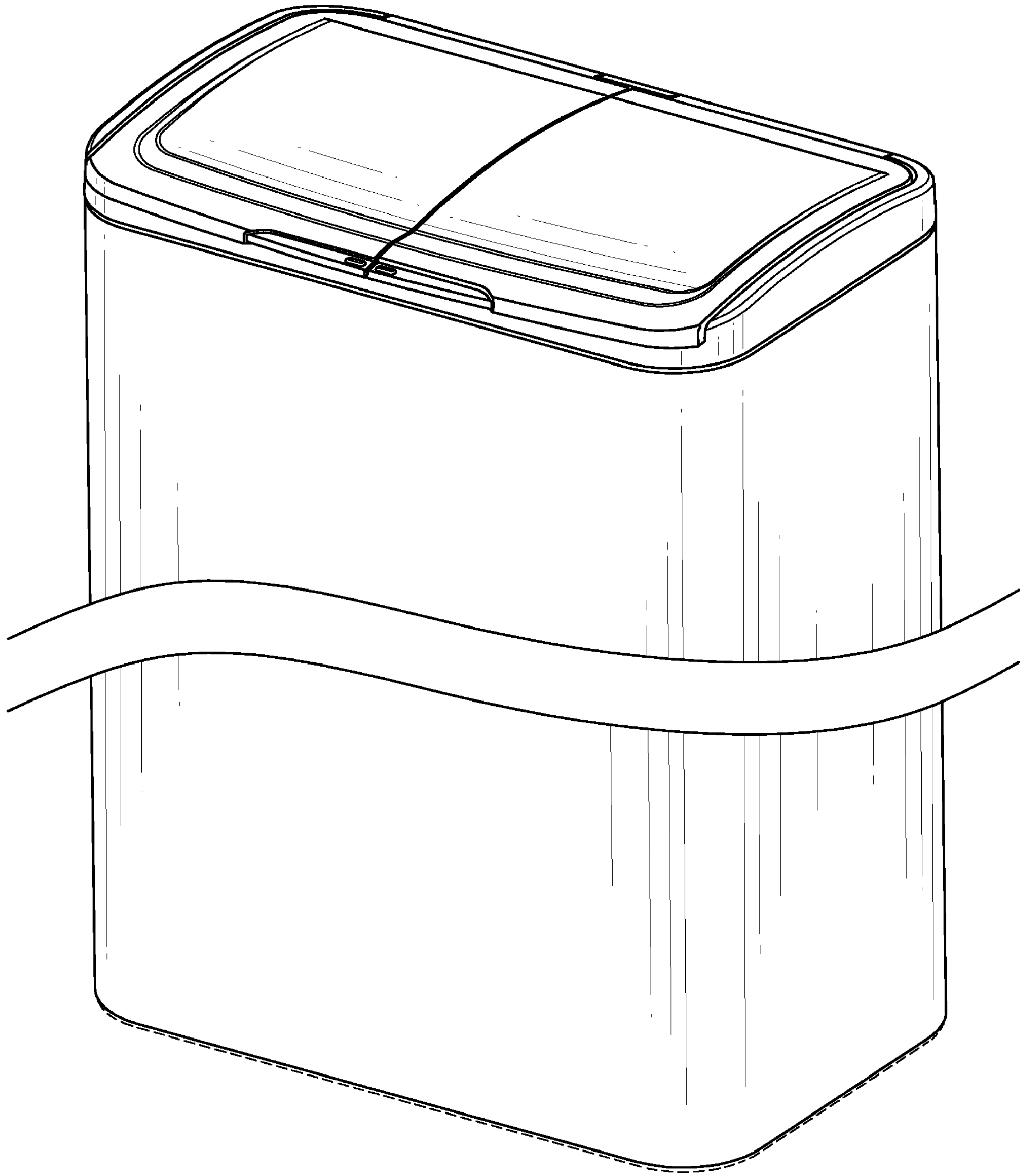


FIG. 1

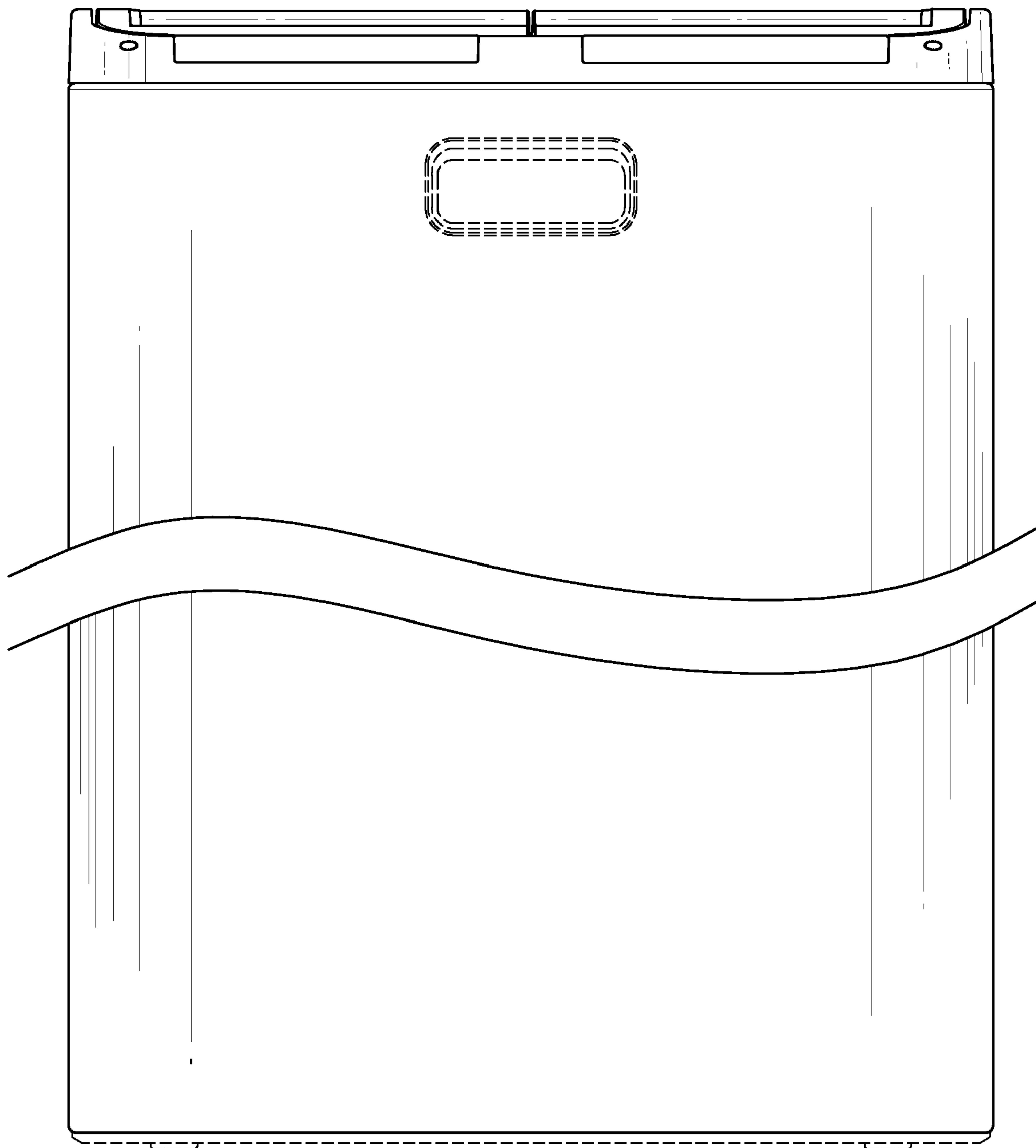
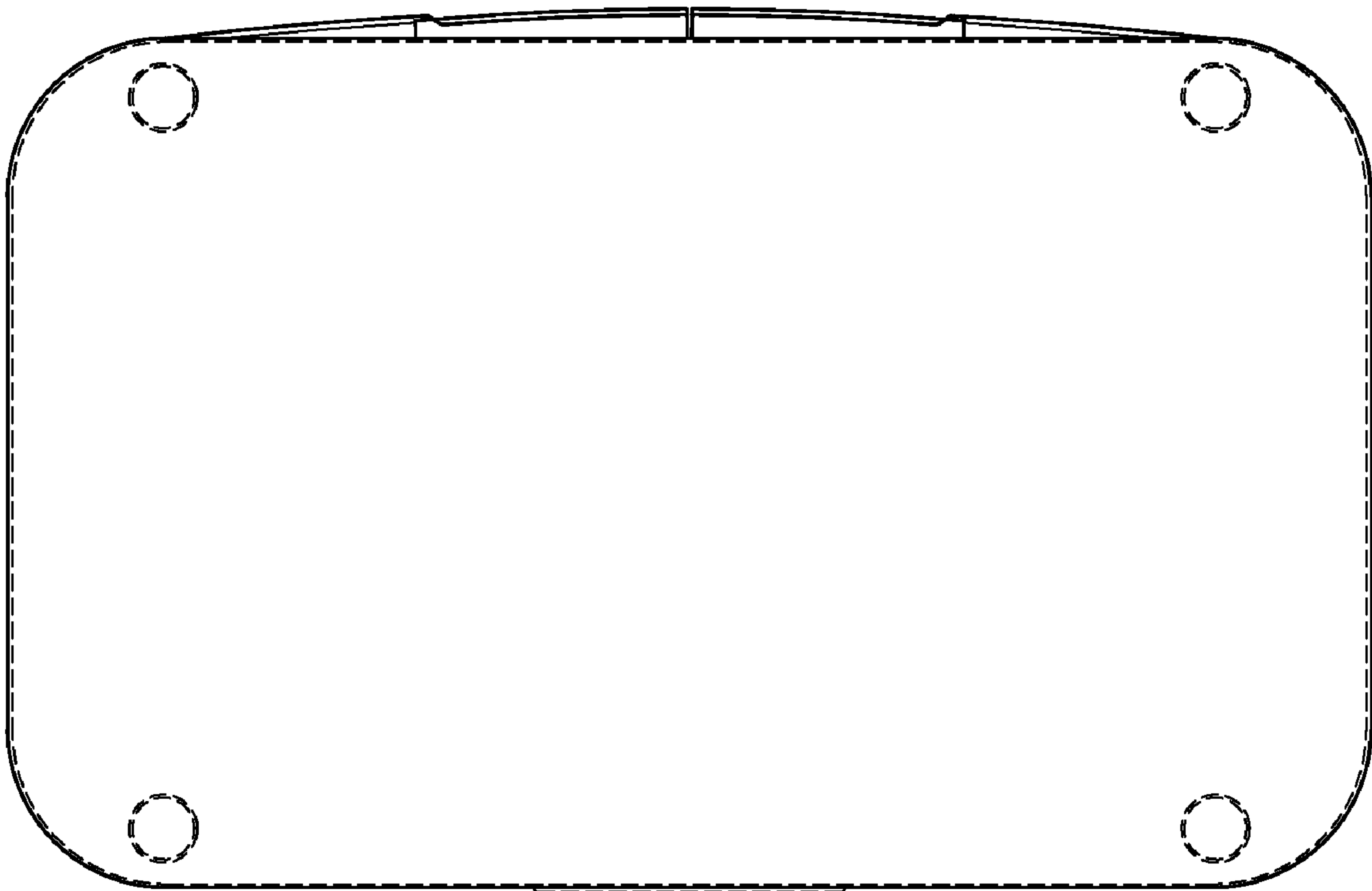


FIG. 2



*FIG. 3*

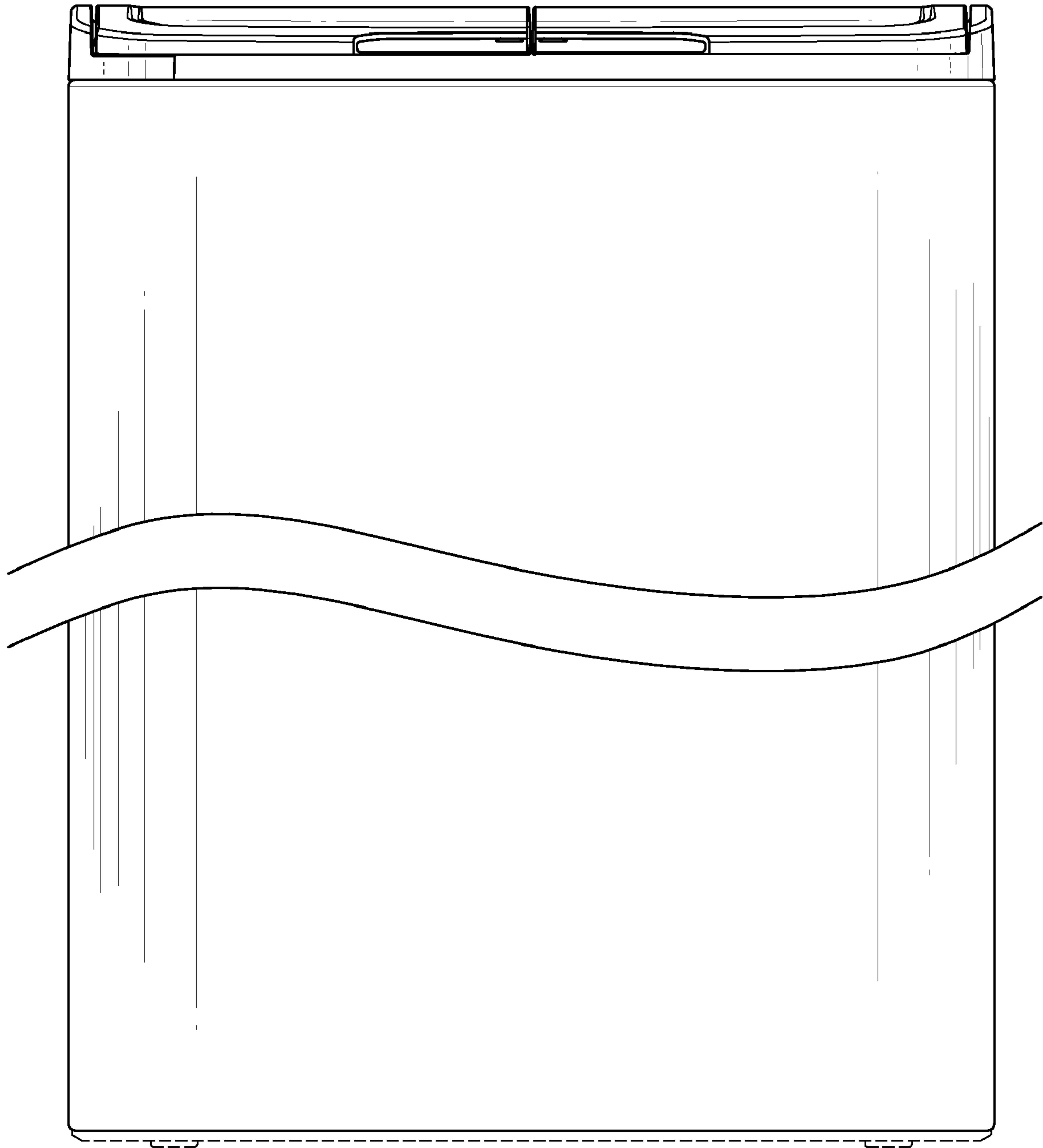


FIG. 4

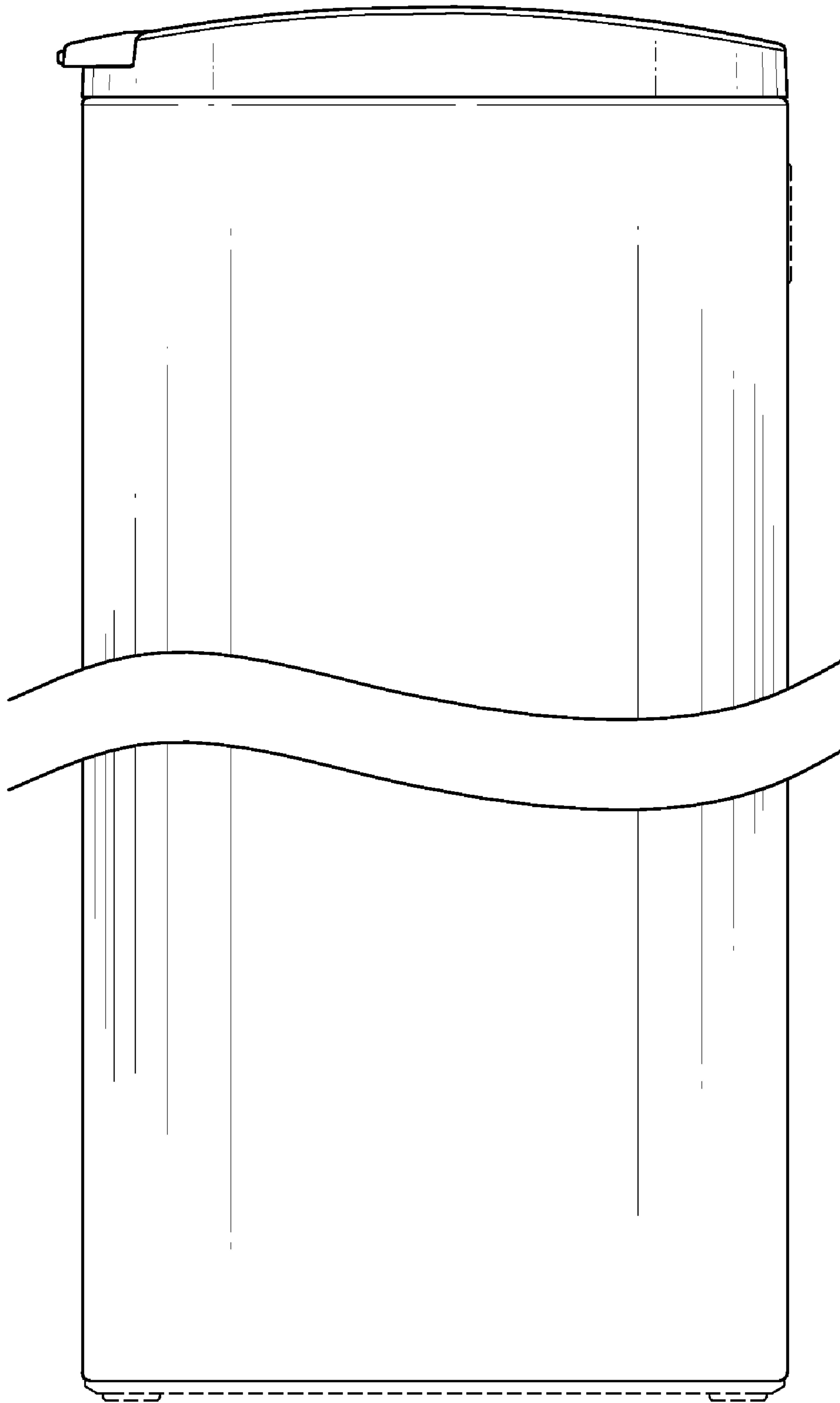


FIG. 5

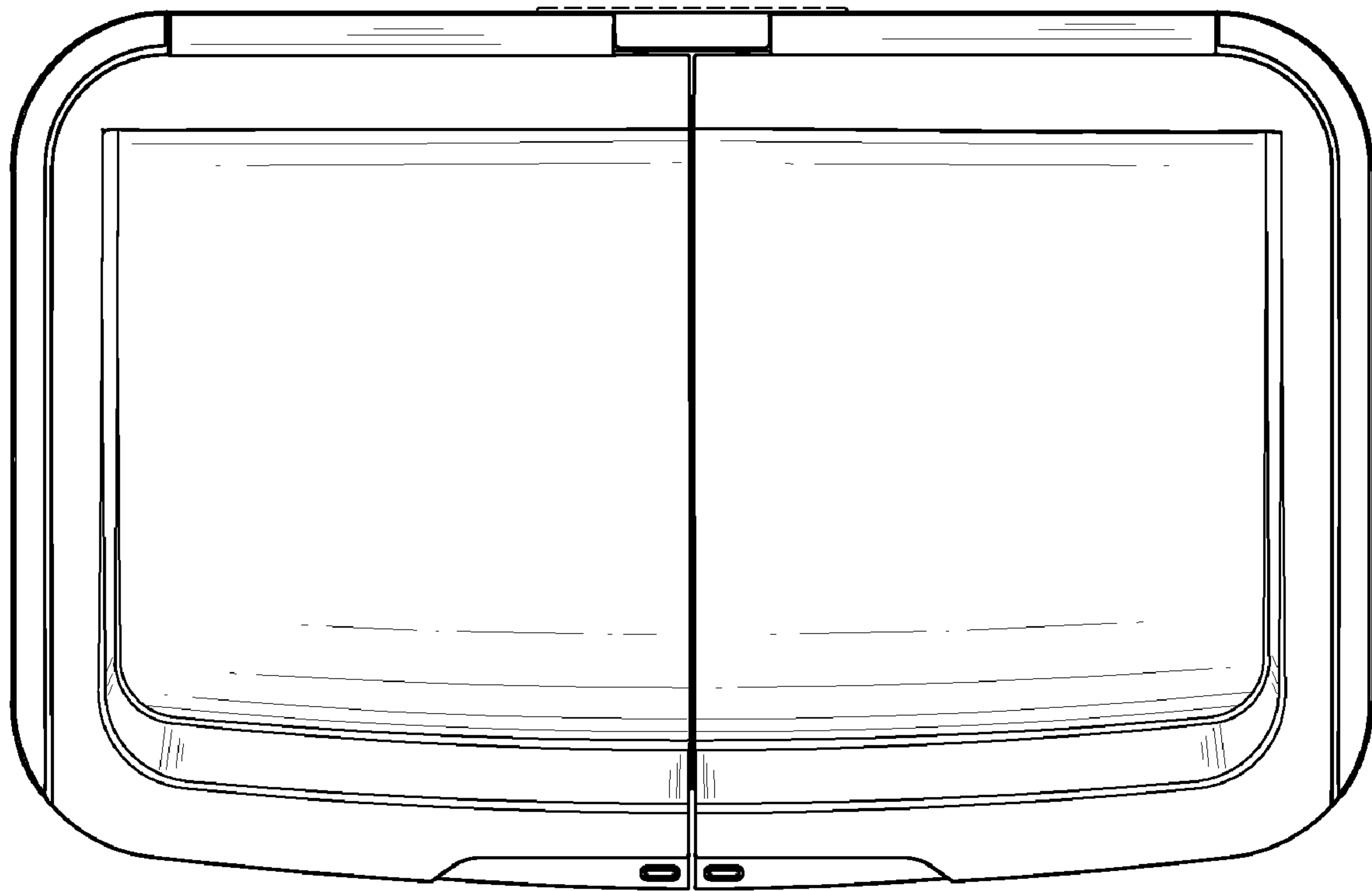


FIG. 6