



US00D615719S

(12) **United States Design Patent**
Crawley

(10) **Patent No.:** **US D615,719 S**
(45) **Date of Patent:** **** May 11, 2010**

(54) **VACUUM CLEANER ACCESSORY TOOL
HOLDER**

(75) Inventor: **Graeme Crawley**, Newcastle Upon Tyne
(GB)

(73) Assignee: **Black & Decker Inc.**, Newark, DE (US)

(**) Term: **14 Years**

(21) Appl. No.: **29/336,262**

(22) Filed: **Apr. 30, 2009**

(30) **Foreign Application Priority Data**

Oct. 30, 2008 (EM) 001031116

(51) **LOC (9) Cl.** **15-05**

(52) **U.S. Cl.** **D32/31**

(58) **Field of Classification Search** D32/18,
D32/21, 22, 31, 34; 15/329, 344, 410-411,
15/327.1, 414, 350, 353, 323, 327.2, 327.6;
16/110.1; 285/7, 38

See application file for complete search history.

(56) **References Cited**

U.S. PATENT DOCUMENTS

D272,572 S *	2/1984	Parise	D32/31
D278,408 S *	4/1985	Shampang	D8/98
D344,616 S *	2/1994	Berfield et al.	D32/31
D354,380 S *	1/1995	Stephens	D32/31
D357,562 S *	4/1995	Chumley et al.	D32/31
D374,523 S *	10/1996	Tomasiak	D32/31

5,606,769 A *	3/1997	Tomasiak et al.	15/327.6
5,611,107 A *	3/1997	Tomasiak et al.	15/327.2
D422,764 S *	4/2000	Wood	D32/31
6,175,988 B1 *	1/2001	White et al.	15/327.1
D444,603 S *	7/2001	Murphy et al.	D32/31
D445,549 S *	7/2001	Griffin	D32/31
6,347,429 B1 *	2/2002	Hult et al.	15/327.2
D477,121 S *	7/2003	Brown	D32/31
D574,523 S *	8/2008	Suzuki et al.	D26/28

* cited by examiner

Primary Examiner—Ruth McInroy

(74) *Attorney, Agent, or Firm*—John Yun; Bruce S. Shapiro;
Stephen Valancius

(57) **CLAIM**

The ornamental design for a vacuum cleaner accessory tool holder, as shown and described.

DESCRIPTION

FIG. 1 is a perspective view of a vacuum cleaner accessory tool holder showing my new design.

FIG. 2 is a right side view thereof;

FIG. 3 is a left side view thereof;

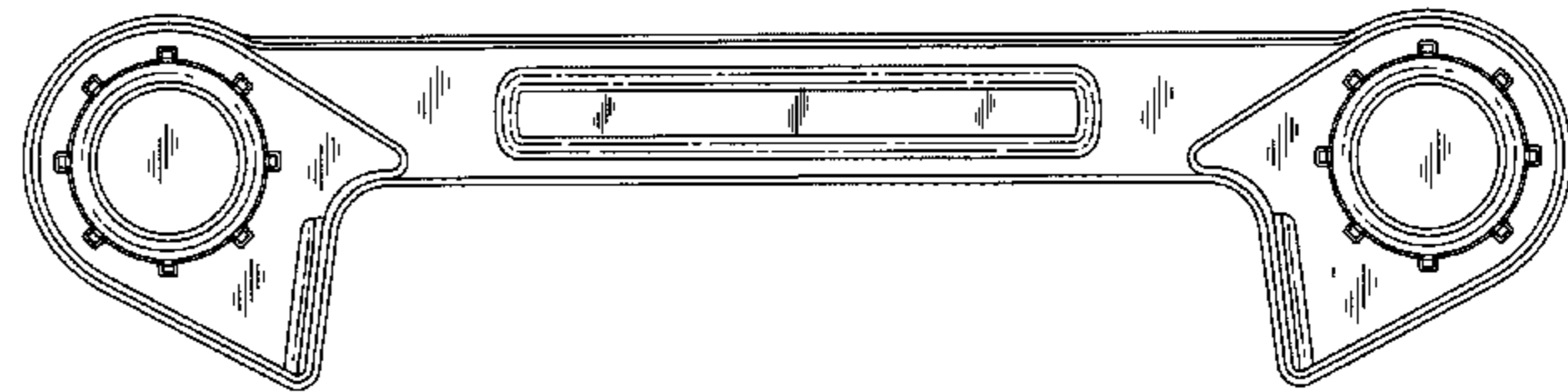
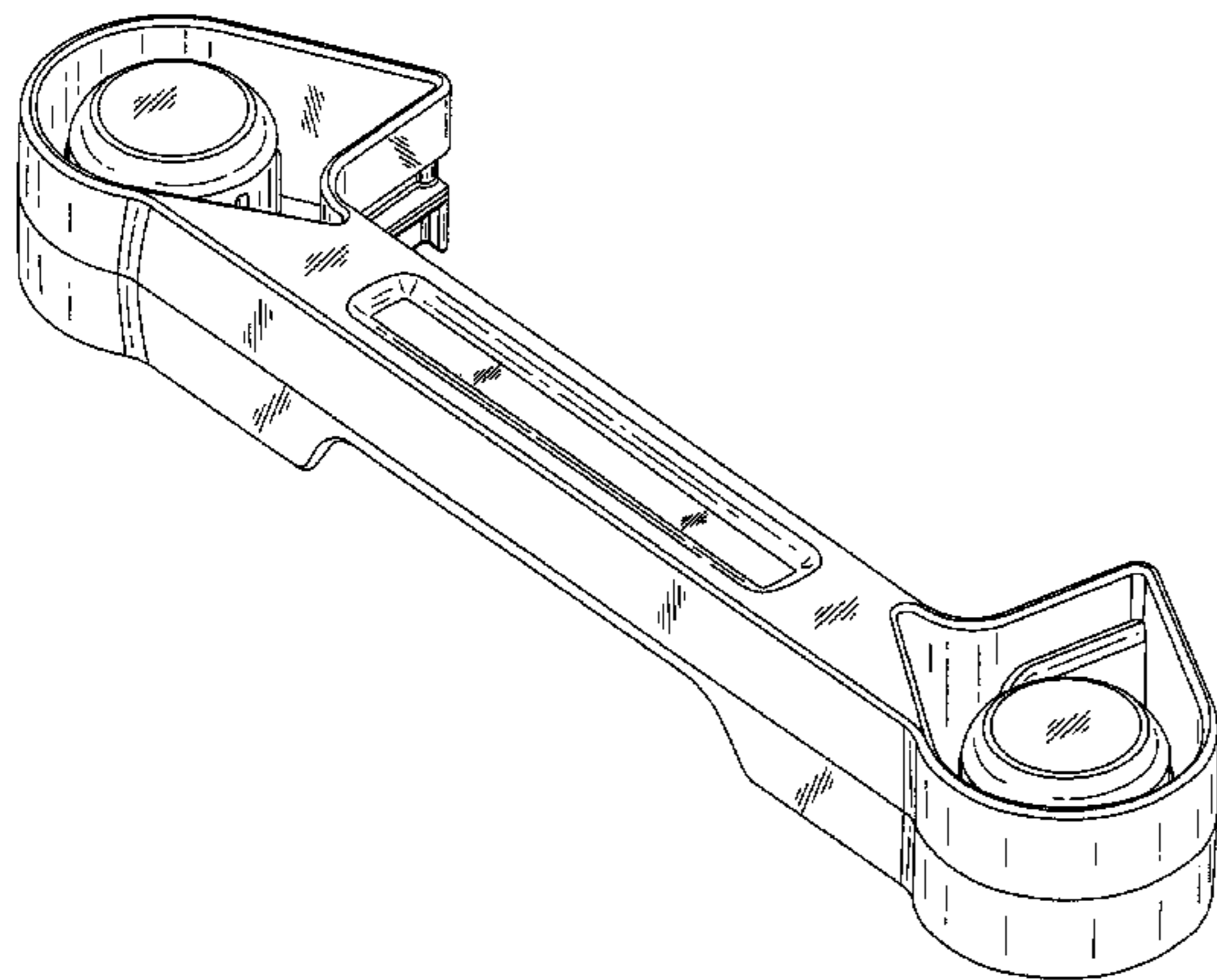
FIG. 4 is a rear view thereof;

FIG. 5 is a front view thereof;

FIG. 6 is a top plan view thereof; and,

FIG. 7 is a bottom plan view thereof.

1 Claim, 4 Drawing Sheets



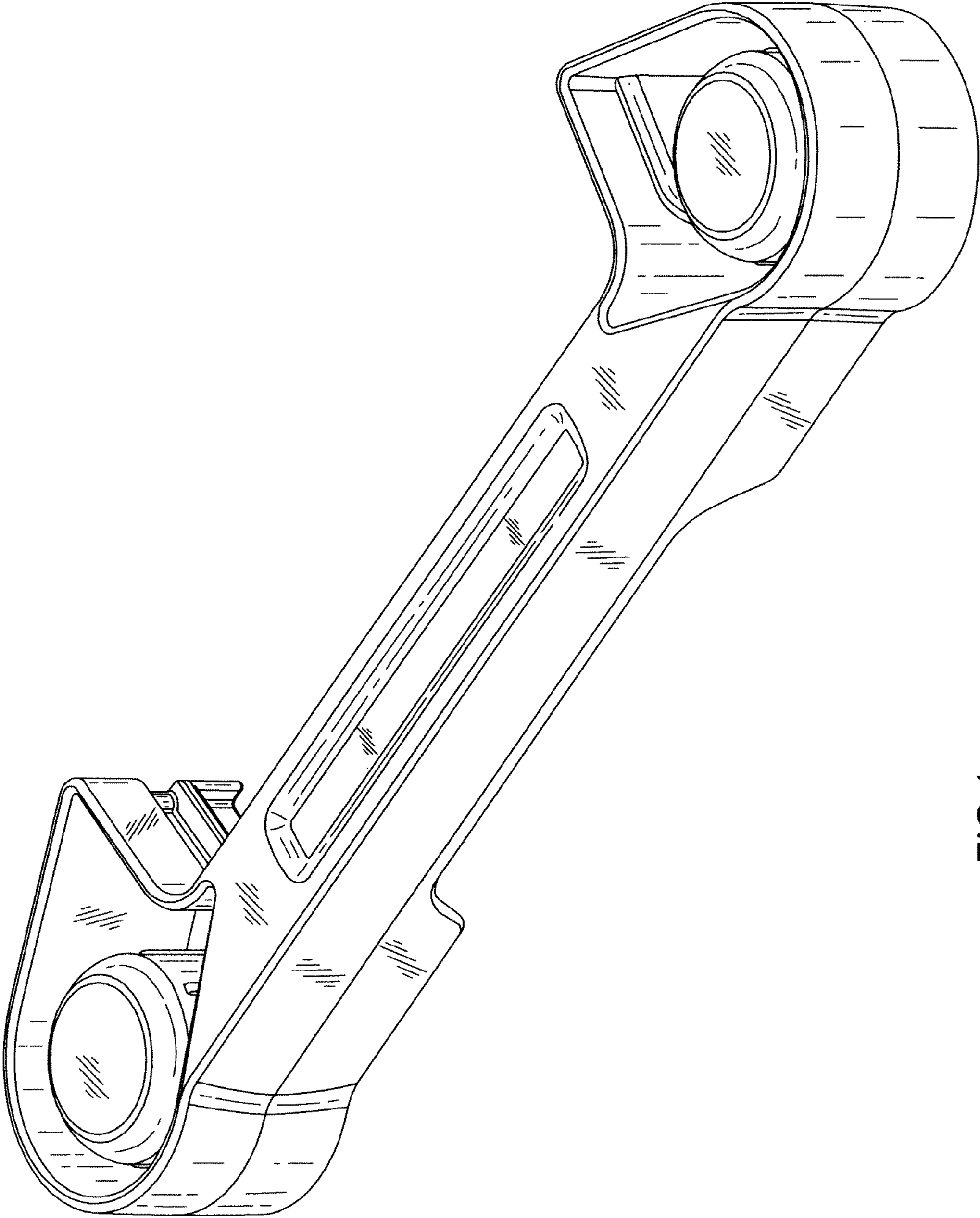


FIG.1

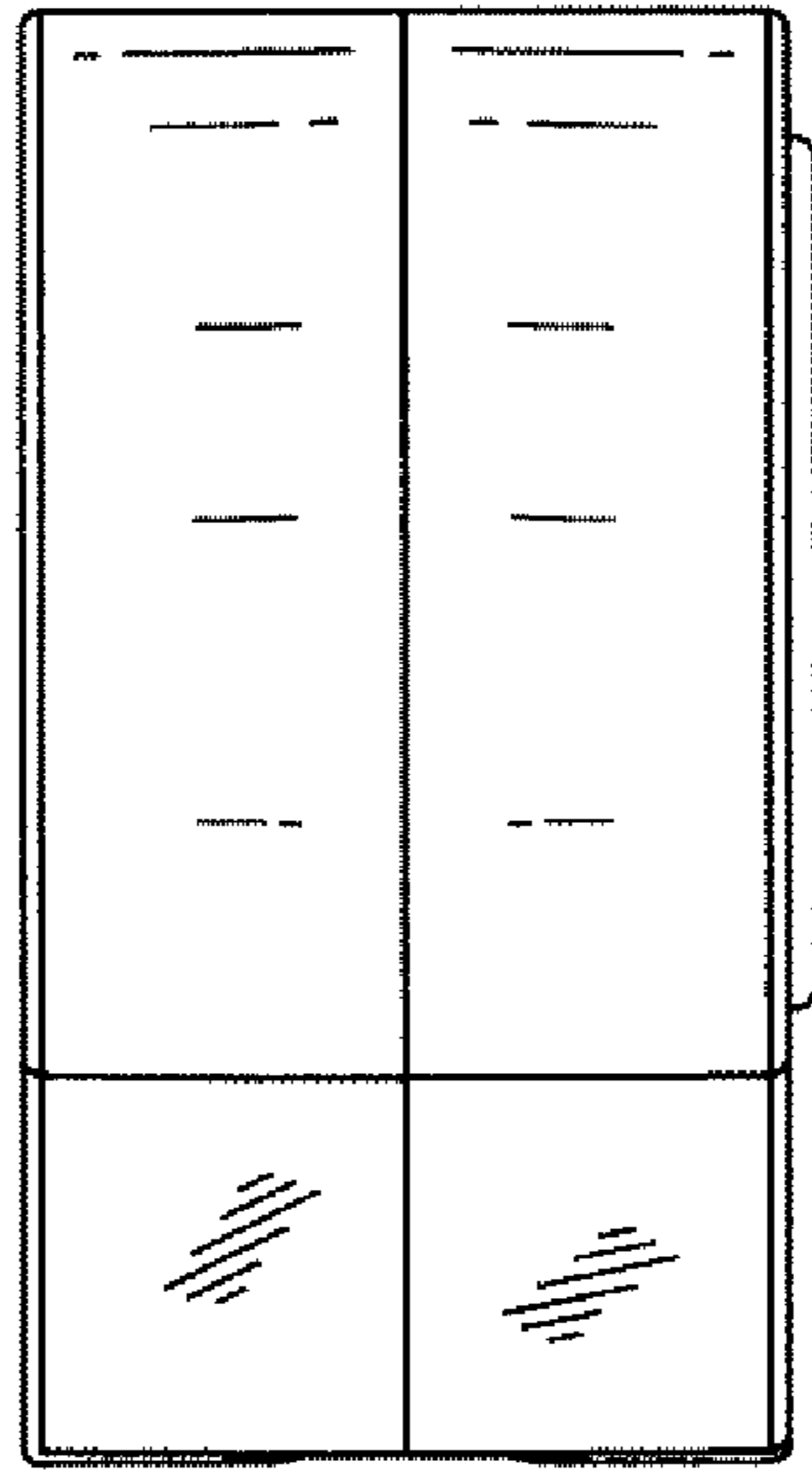


FIG.3

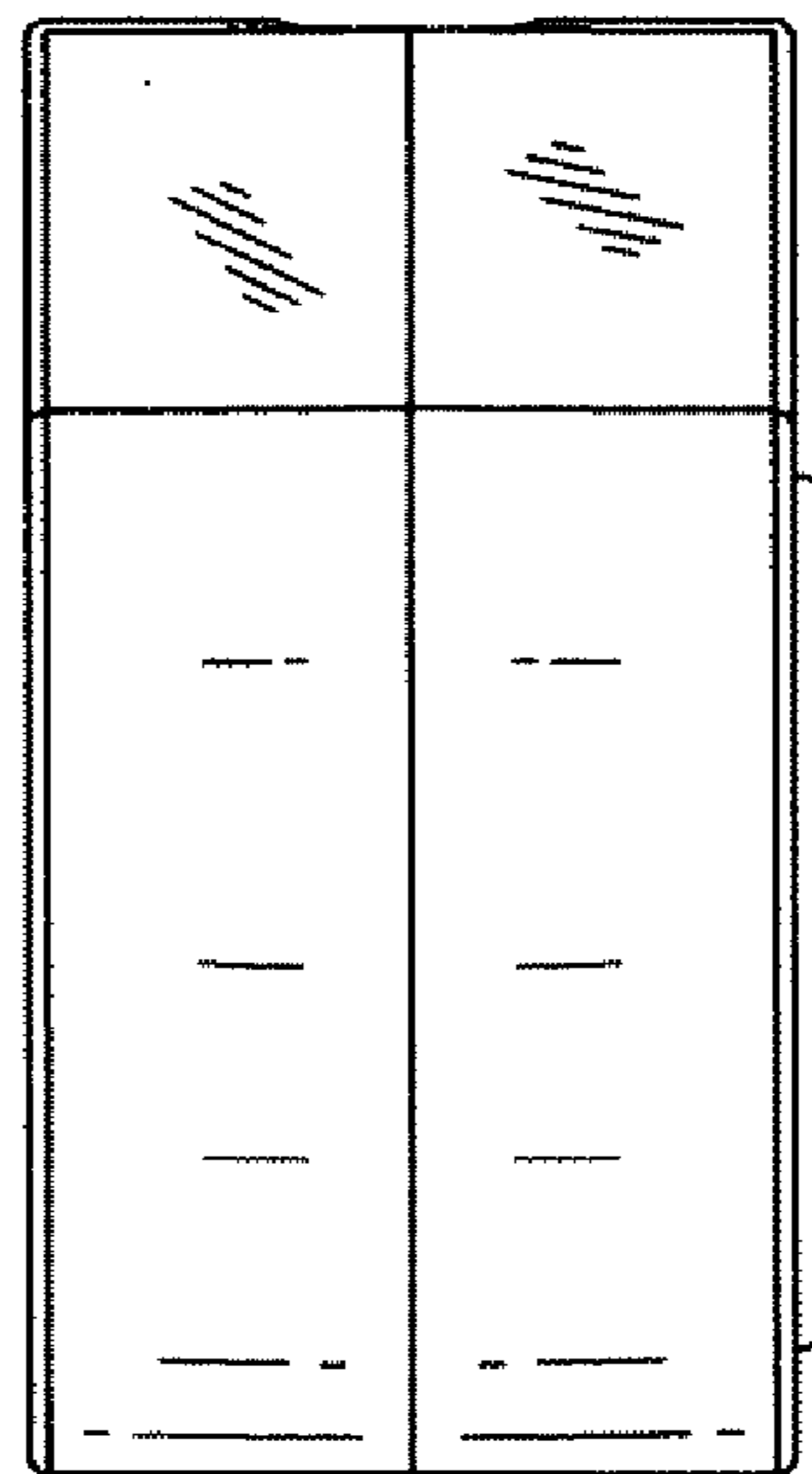


FIG.2

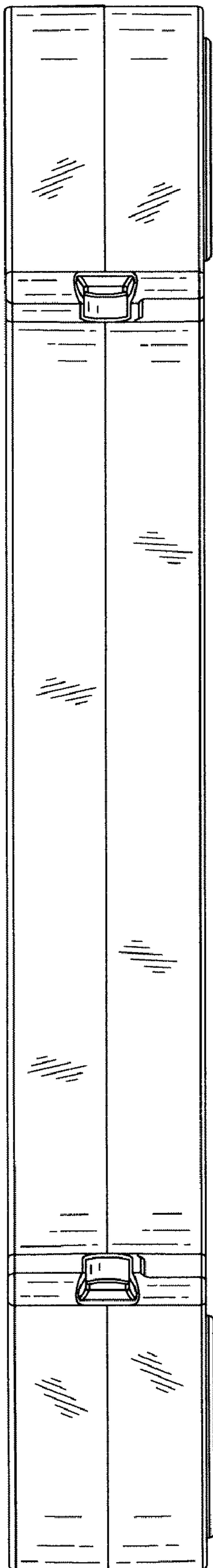


FIG. 4

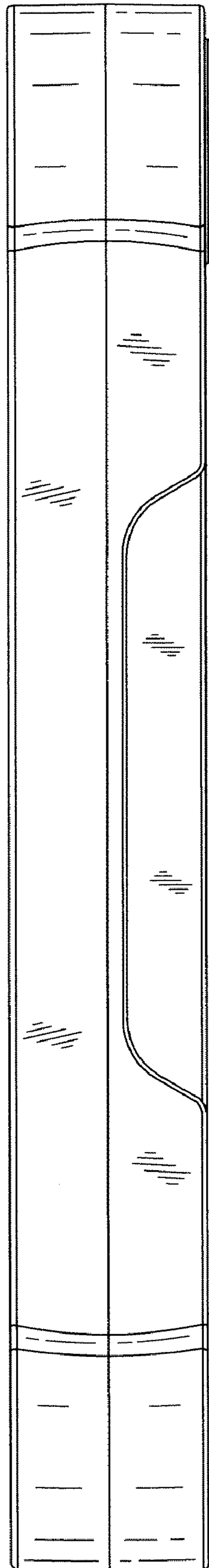


FIG. 5

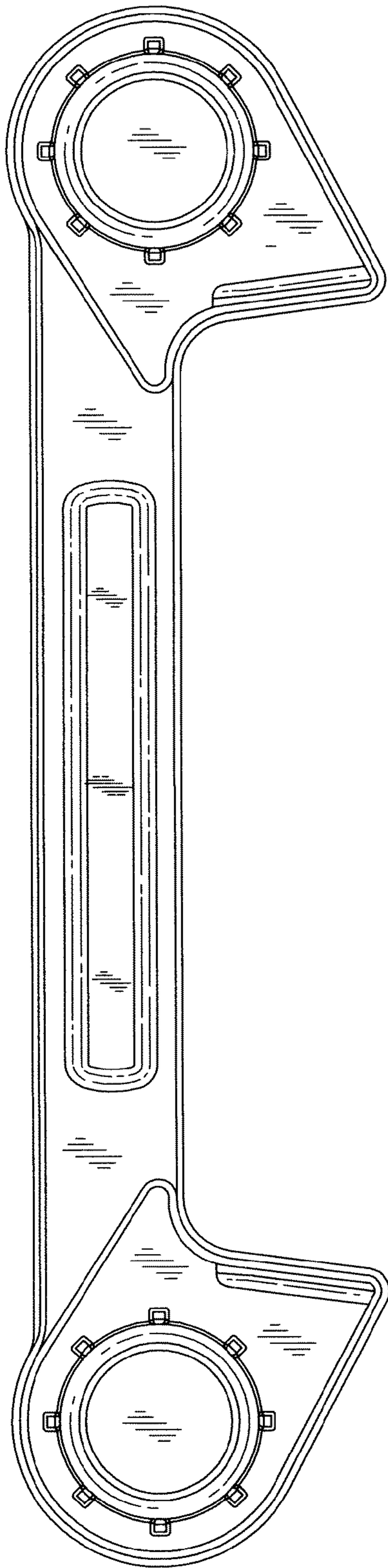


FIG. 6

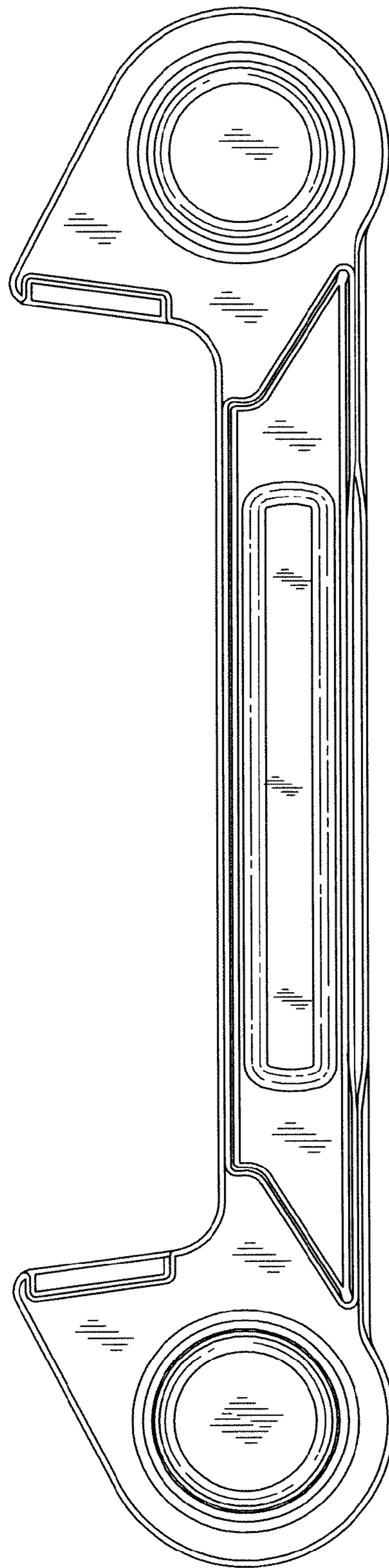


FIG. 7