



US00D615718S

(12) **United States Design Patent**
Crevling, Jr. et al.

(10) **Patent No.:** **US D615,718 S**

(45) **Date of Patent:** **** May 11, 2010**

(54) **VACUUM CLEANER**

(76) Inventors: **Robert Lent Crevling, Jr.**, 212 Mill Hill Rd., Cogan Station, PA (US) 17728;
Craig A. Seasholtz, 303 Grove St., Avis, PA (US) 17721; **John Griffin**, 3737 E. Kent Dr., Phoenix, AZ (US) 85044

(**) Term: **14 Years**

(21) Appl. No.: **29/342,780**

(22) Filed: **Sep. 1, 2009**

Related U.S. Application Data

(63) Continuation of application No. 29/266,501, filed on Sep. 22, 2006, now Pat. No. Des. 599,968.

(51) **LOC (9) Cl.** **15-05**

(52) **U.S. Cl.** **D32/23**

(58) **Field of Classification Search** D32/21, D32/23-24, 31, 15-16; D23/225; 15/320-321, 15/353, 323, 327.1-327.7, 329, 339, 412, 15/340.2, 344, 347; 55/DIG. 2
See application file for complete search history.

(56) **References Cited**

U.S. PATENT DOCUMENTS

D469,934 S * 2/2003 Fry et al. D32/23

D470,280 S * 2/2003 Griffin et al. D32/23
D479,371 S * 9/2003 Griffin et al. D32/23
D506,044 S * 6/2005 Griffin D32/23

* cited by examiner

Primary Examiner—Ruth McInroy

(74) *Attorney, Agent, or Firm*—Marshall, Gerstein & Borun LLP

(57) **CLAIM**

The ornamental design for a vacuum cleaner, as shown and described.

DESCRIPTION

FIG. 1 is a top, front and left side perspective view of a vacuum cleaner showing our new design;

FIG. 2 is a front elevation view thereof;

FIG. 3 is a left side elevation view thereof;

FIG. 4 is right side elevation view thereof;

FIG. 5 is rear elevation view thereof; and,

FIG. 6 is a top plan view thereof.

The broken line showing of portions of the vacuum cleaner is for the purpose of illustrating portions of the vacuum cleaner and forms no part of the claimed design.

1 Claim, 6 Drawing Sheets

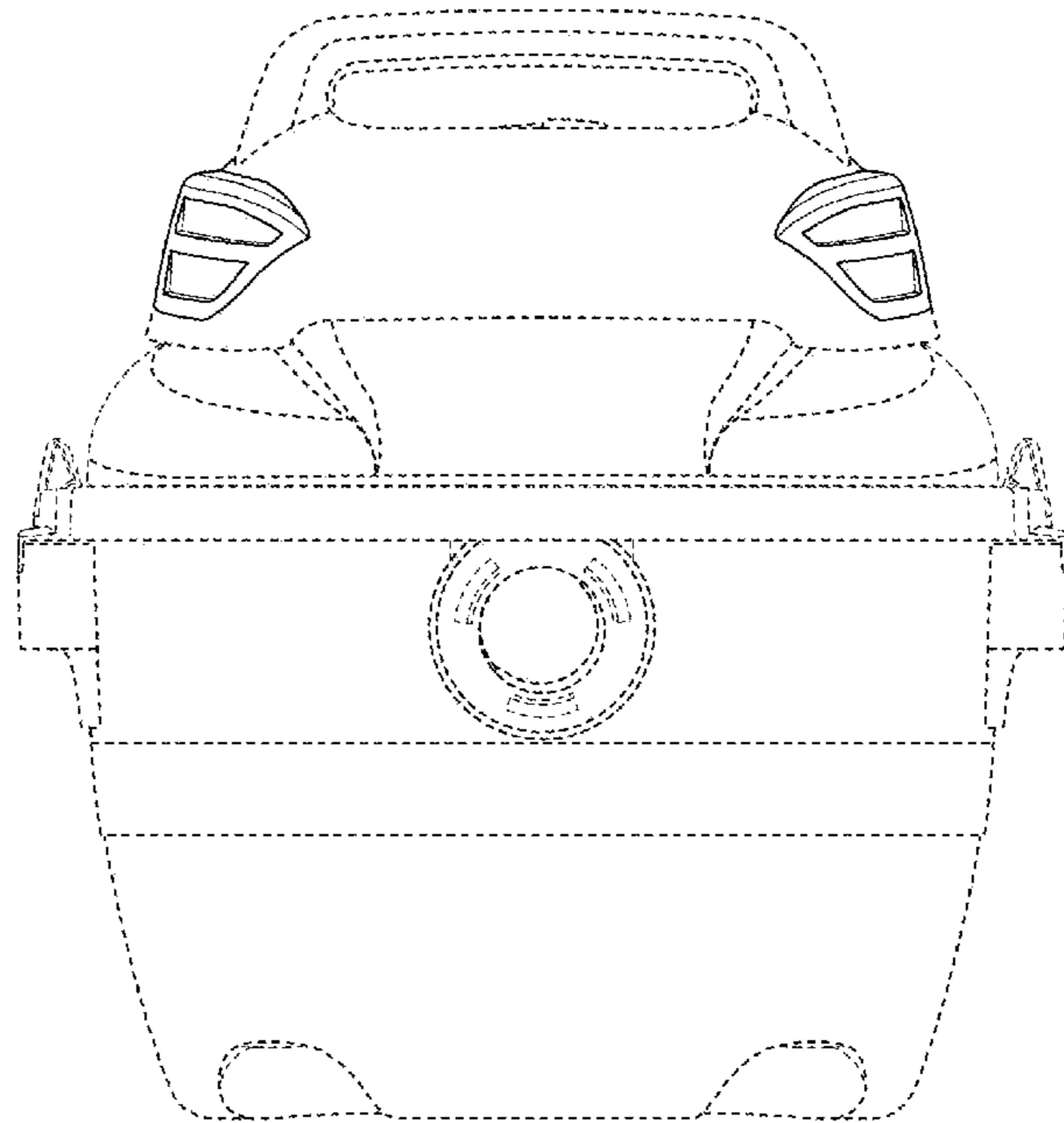
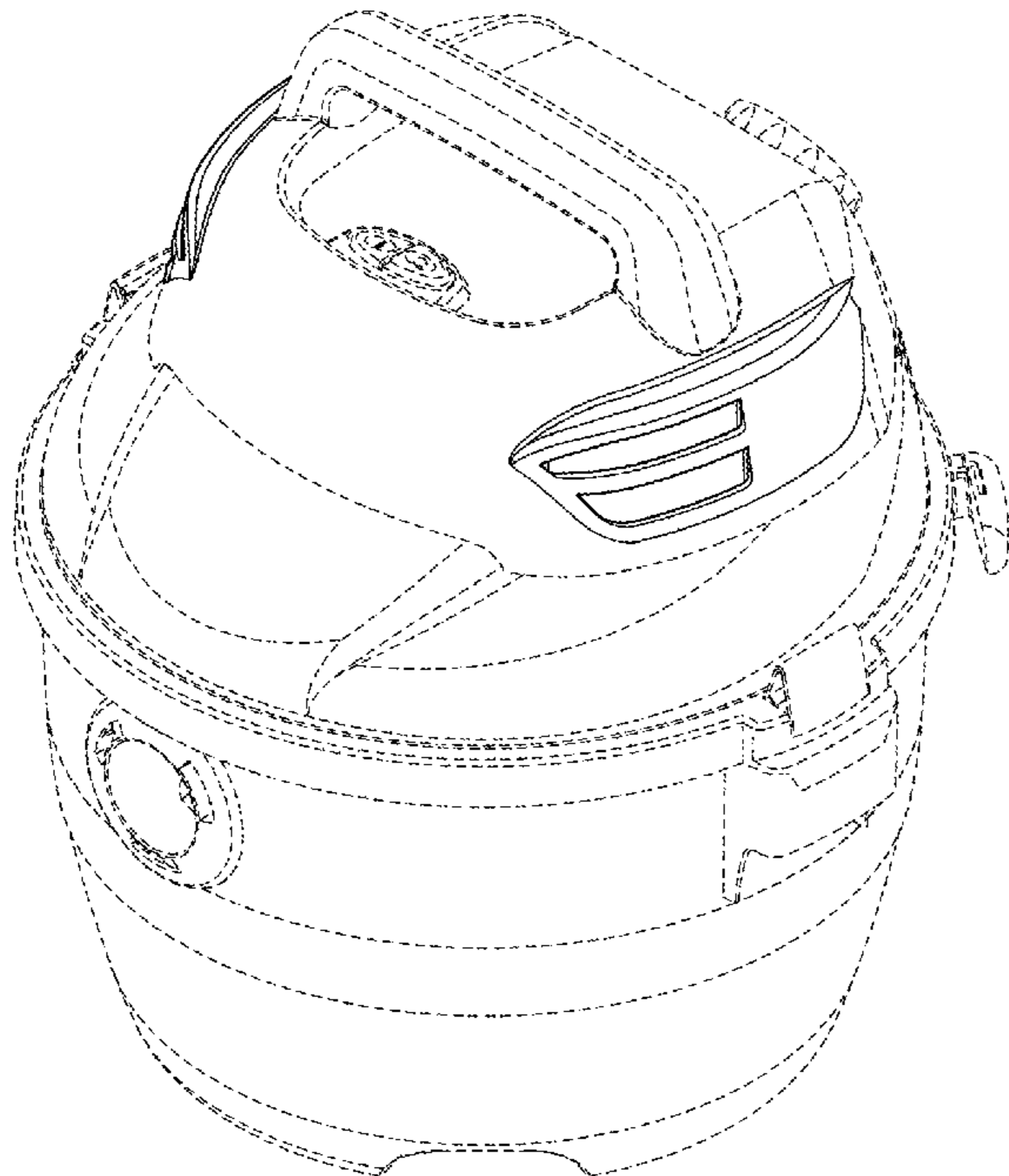
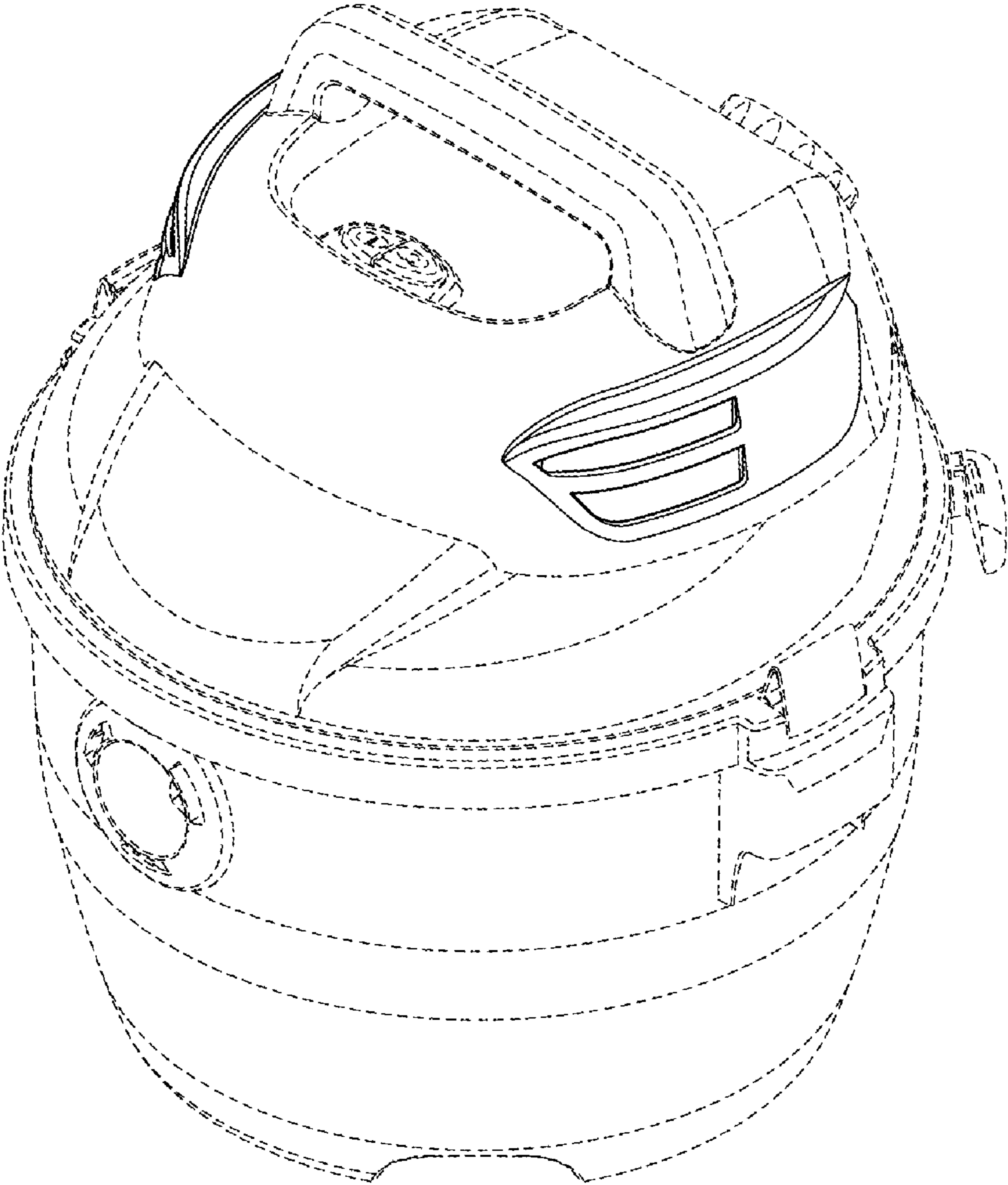


FIG. 1



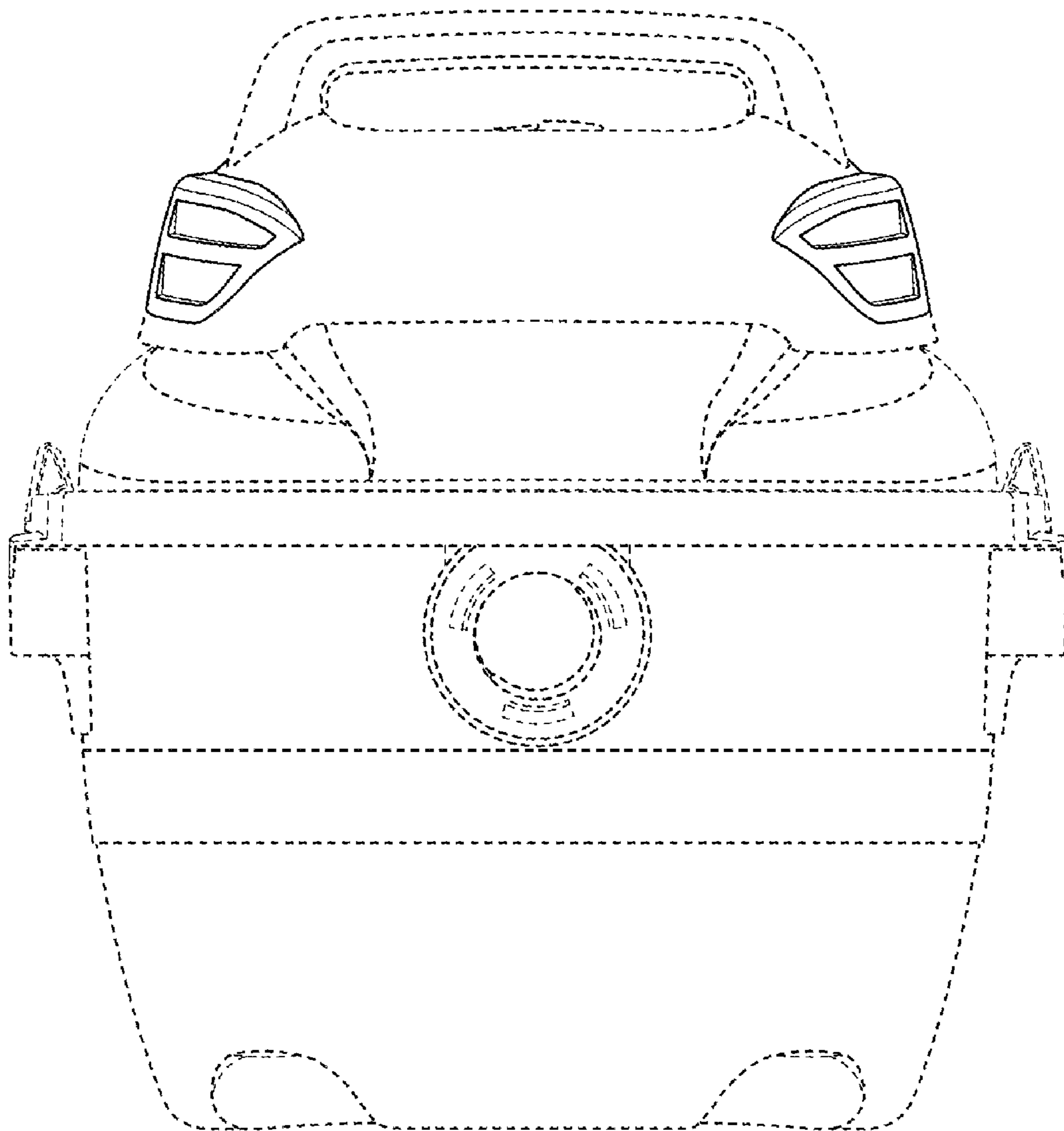


FIG. 2

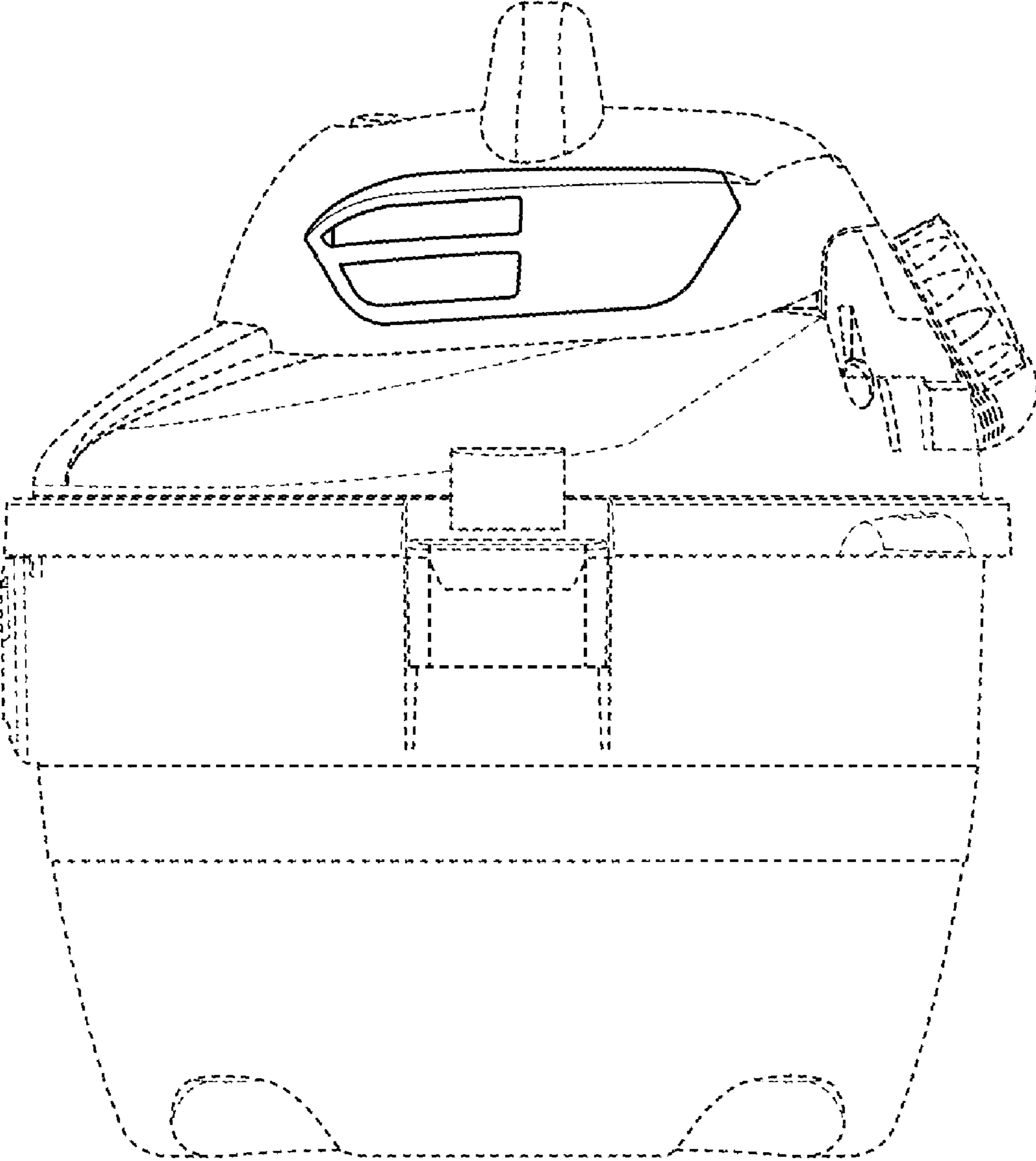


FIG. 3

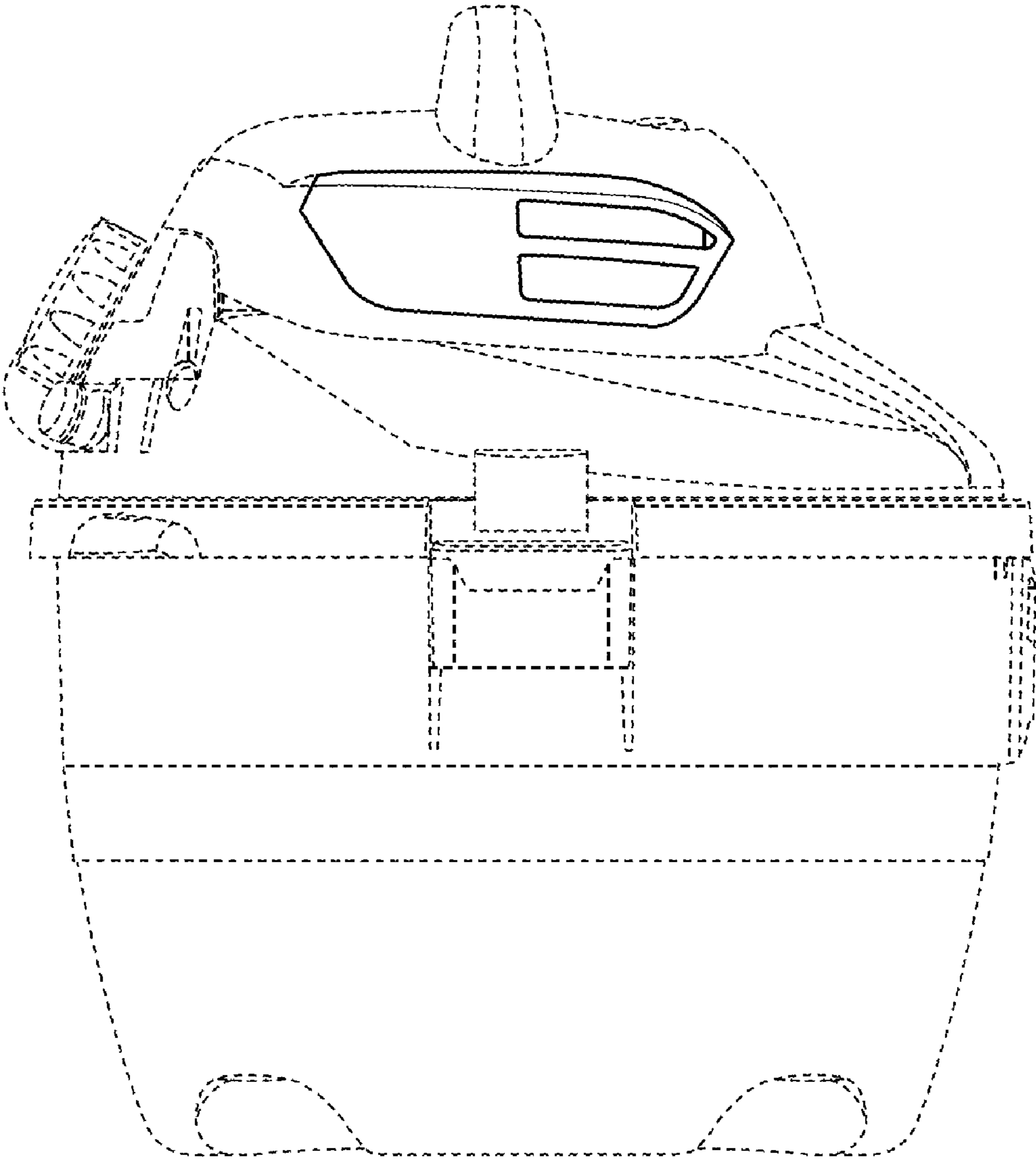


FIG. 4

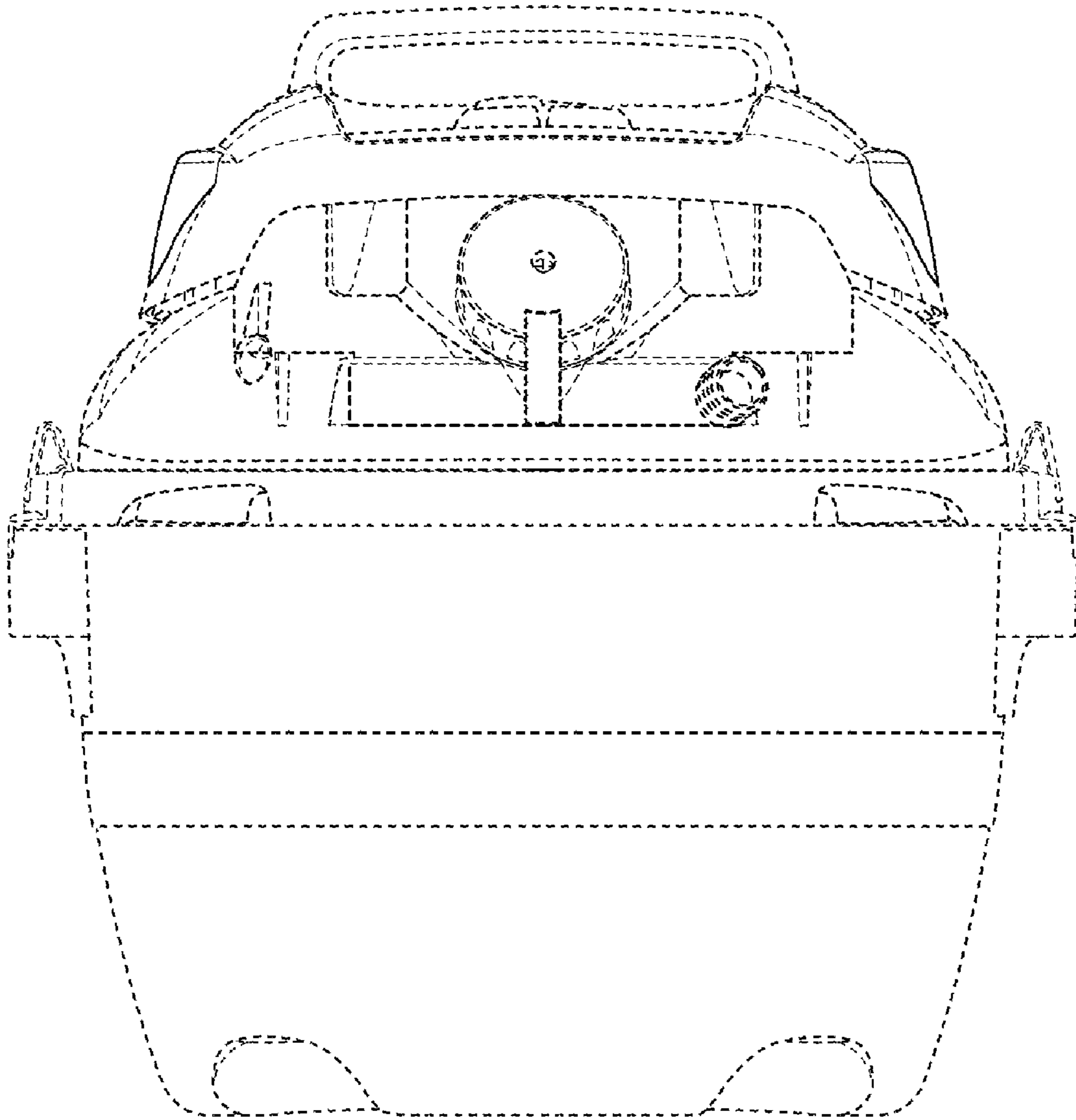


FIG. 5

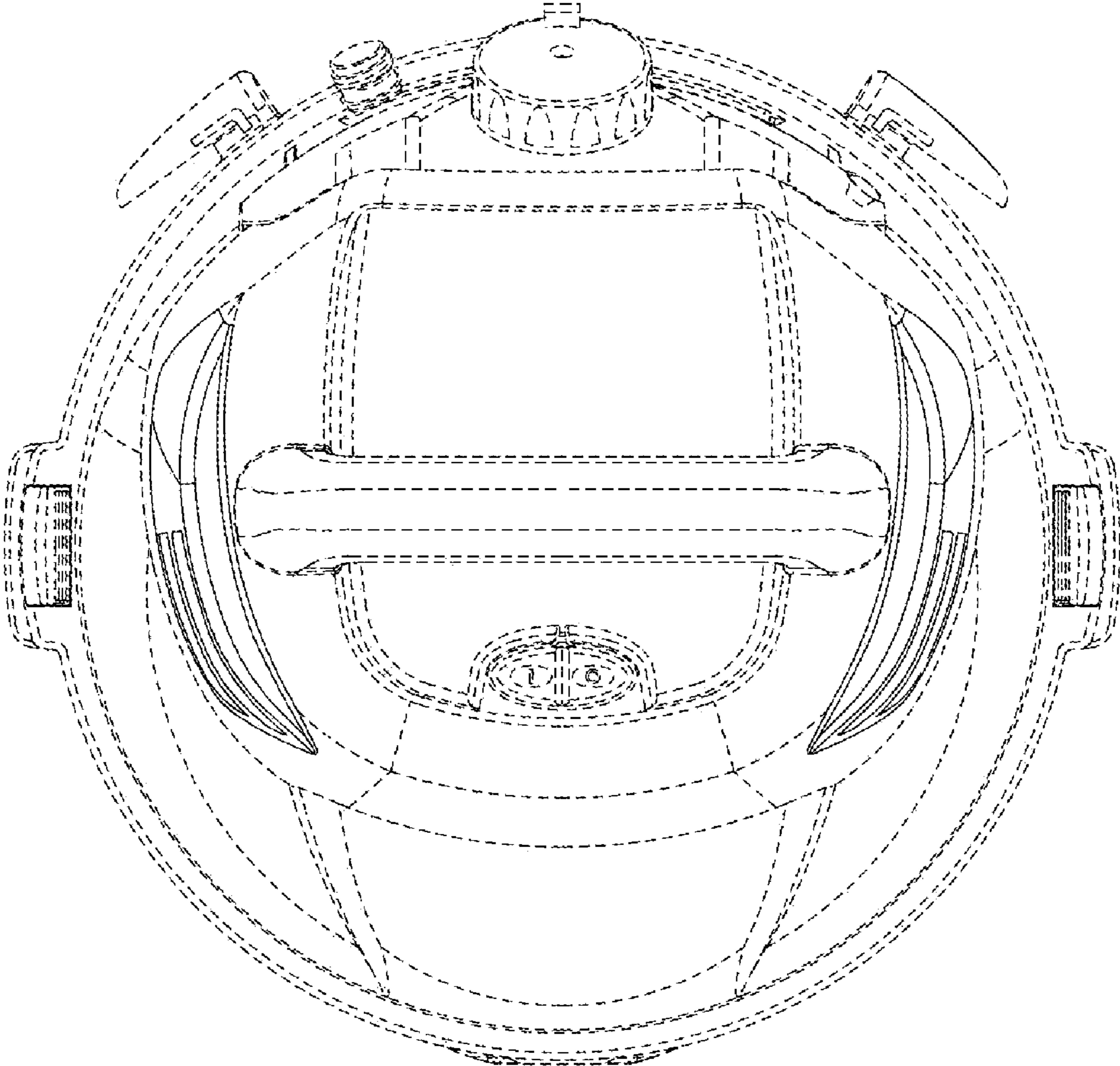


FIG. 6