



US00D615717S

(12) **United States Design Patent**  
**Butts et al.**

(10) **Patent No.:** **US D615,717 S**  
(45) **Date of Patent:** **\*\* May 11, 2010**

(54) **PORTABLE CLEANING DEVICE WITH HANDLE**

(75) Inventors: **Mark Butts**, Akron, OH (US); **David Chaney**, Sagamore Hill, OH (US); **Matthew Joseph Doerfler**, Wooster, OH (US); **Jack W. Gee, II**, Willoughby, OH (US); **David Wade Moine**, North Canton, OH (US)

(73) Assignee: **Techtronic Floor Care Technology Limited**, Road Town, Tortola (VG)

(\*\*) Term: **14 Years**

(21) Appl. No.: **29/326,362**

(22) Filed: **Oct. 16, 2008**

(51) **LOC (9) Cl.** ..... **15-05**  
(52) **U.S. Cl.** ..... **D32/22**  
(58) **Field of Classification Search** ..... D32/22,  
D32/30-31, 34; 15/320-321, 329, 350-354,  
15/362, 410, 411, 347; 55/366, 429, 315,  
55/356, 372, 337, DIG. 3, 345; 95/271  
See application file for complete search history.

(56) **References Cited**

U.S. PATENT DOCUMENTS

D303,171 S \* 8/1989 Goodrich et al. .... D32/22  
D382,681 S \* 8/1997 Thomas ..... D32/22  
D433,546 S \* 11/2000 Milanese ..... D32/22  
D482,506 S \* 11/2003 Honda et al. .... D32/22  
D483,160 S \* 12/2003 Houghton ..... D32/22  
D515,259 S \* 2/2006 Maruyama et al. .... D32/22

D553,813 S \* 10/2007 Parr et al. .... D32/22  
D574,563 S \* 8/2008 Fjellman et al. .... D32/22  
D592,818 S \* 5/2009 Sun ..... D32/22  
2007/0130723 A1 \* 6/2007 Kelly ..... 15/410  
2007/0271724 A1 \* 11/2007 Hakan et al. .... 15/329  
2008/0047093 A1 \* 2/2008 Gordon ..... 15/320

\* cited by examiner

*Primary Examiner*—Ruth McInroy

(74) *Attorney, Agent, or Firm*—Michael Best & Friedrich LLP

(57) **CLAIM**

The ornamental design for a portable cleaning device with a handle, as shown and described.

**DESCRIPTION**

FIG. 1 is a perspective view thereof taken of the front and one side showing a first embodiment of our new design.

FIG. 2 is a front elevation view of FIG. 1;

FIG. 3 is a rear elevation view of FIG. 1;

FIG. 4 is an enlarged top plan view of FIG. 1;

FIG. 5 is an enlarged bottom plan view of FIG. 1;

FIG. 6 is a left side elevation view of FIG. 1;

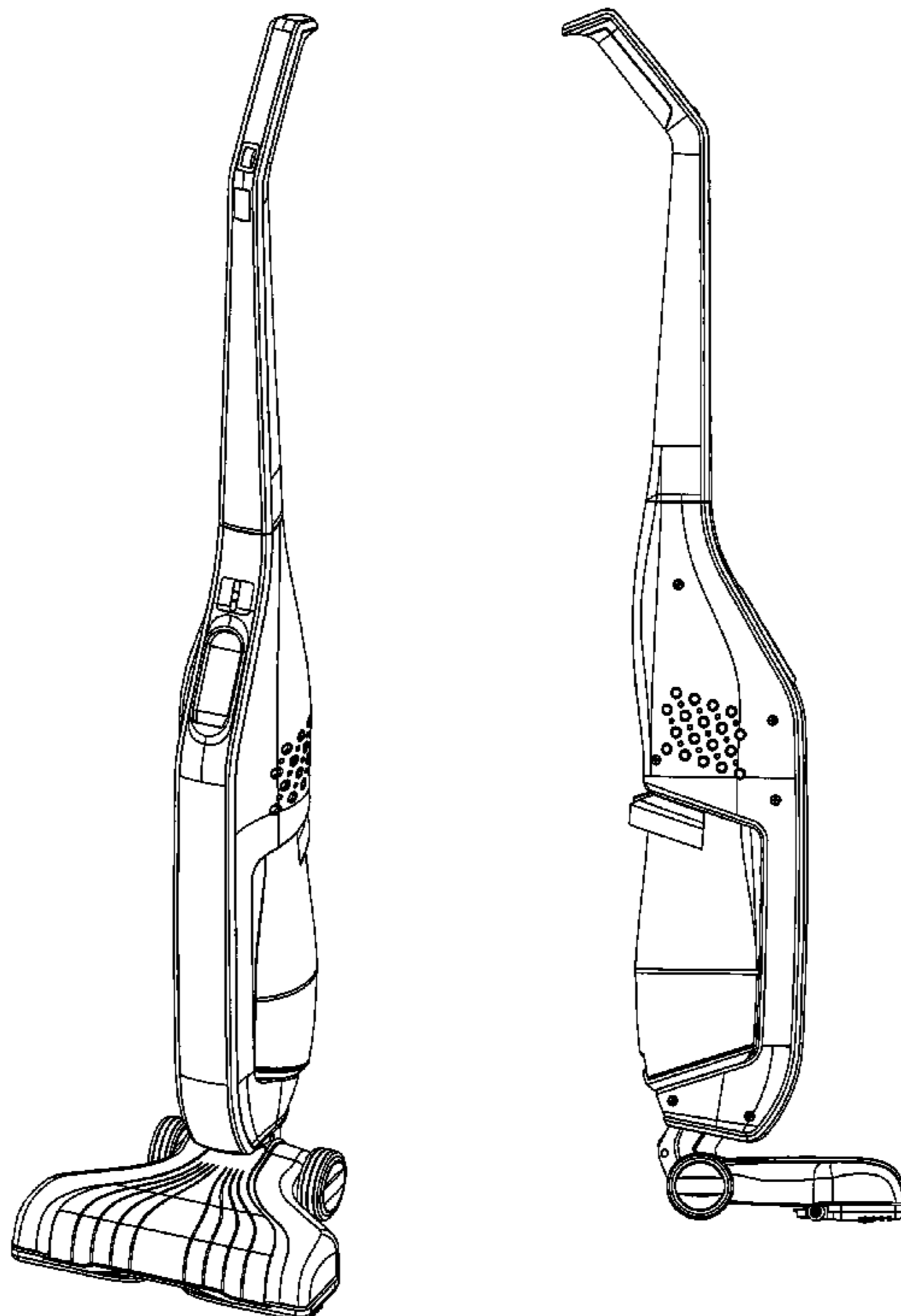
FIG. 7 is a right side elevation view of FIG. 1;

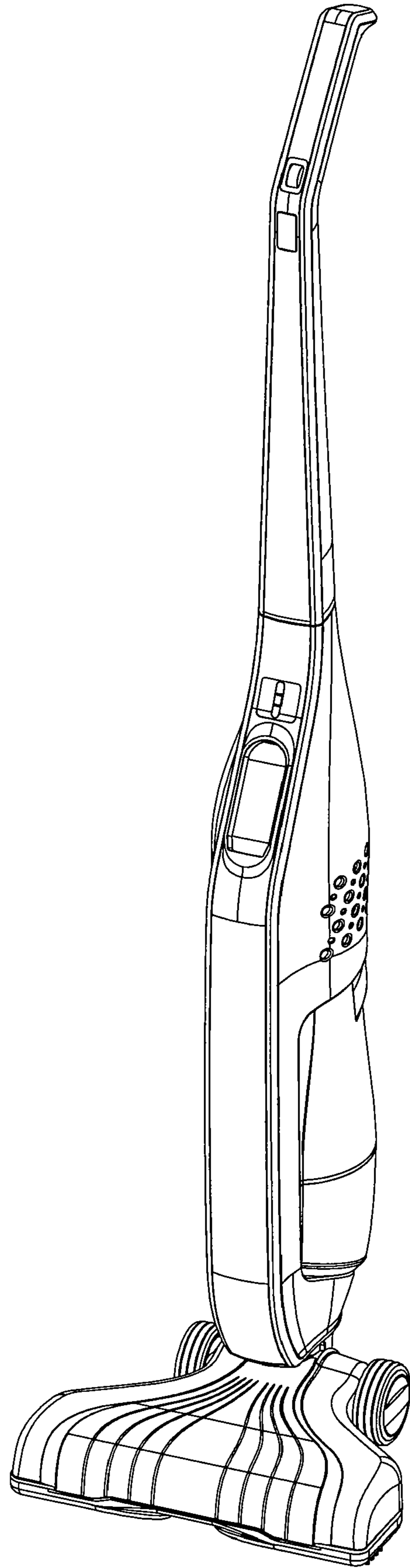
FIG. 8 is a left side elevation view of a second embodiment, with the battery pack inserted;

FIG. 9 is a right side elevation view of FIG. 8; and,

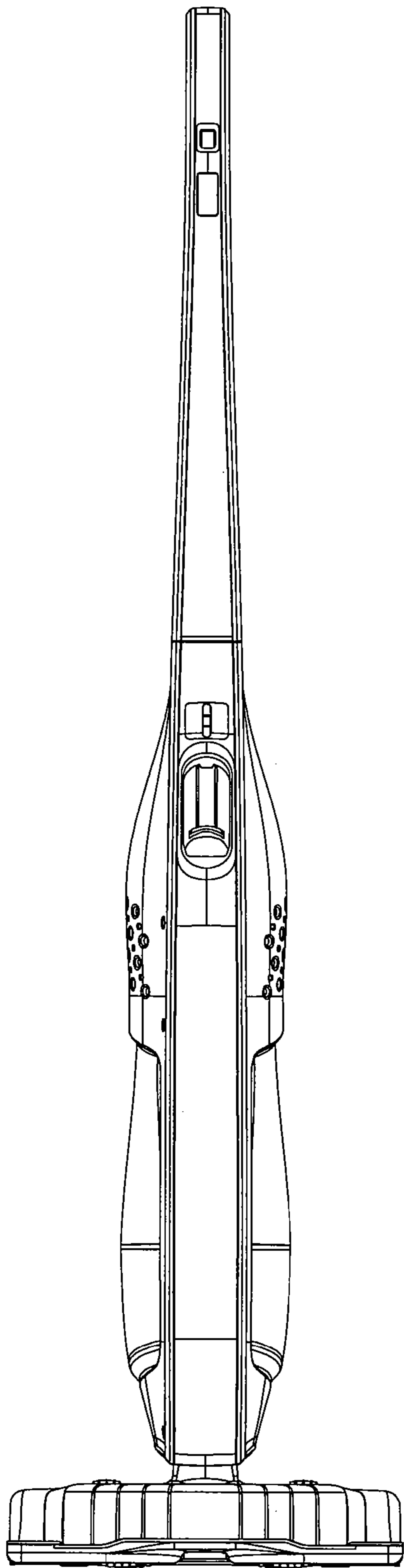
FIG. 10 is a front elevation view of FIG. 8.

**1 Claim, 6 Drawing Sheets**

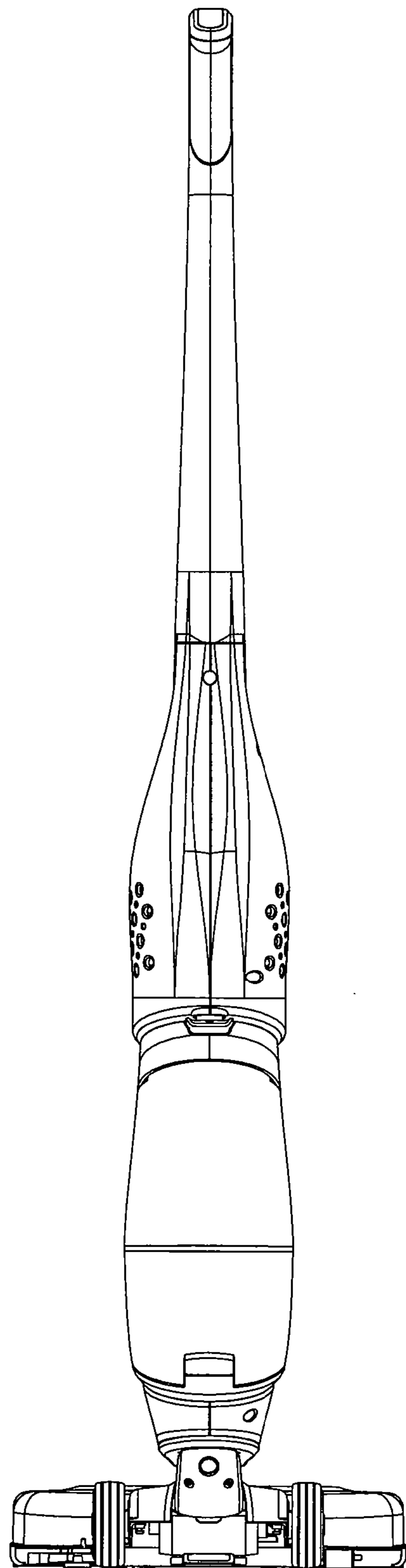




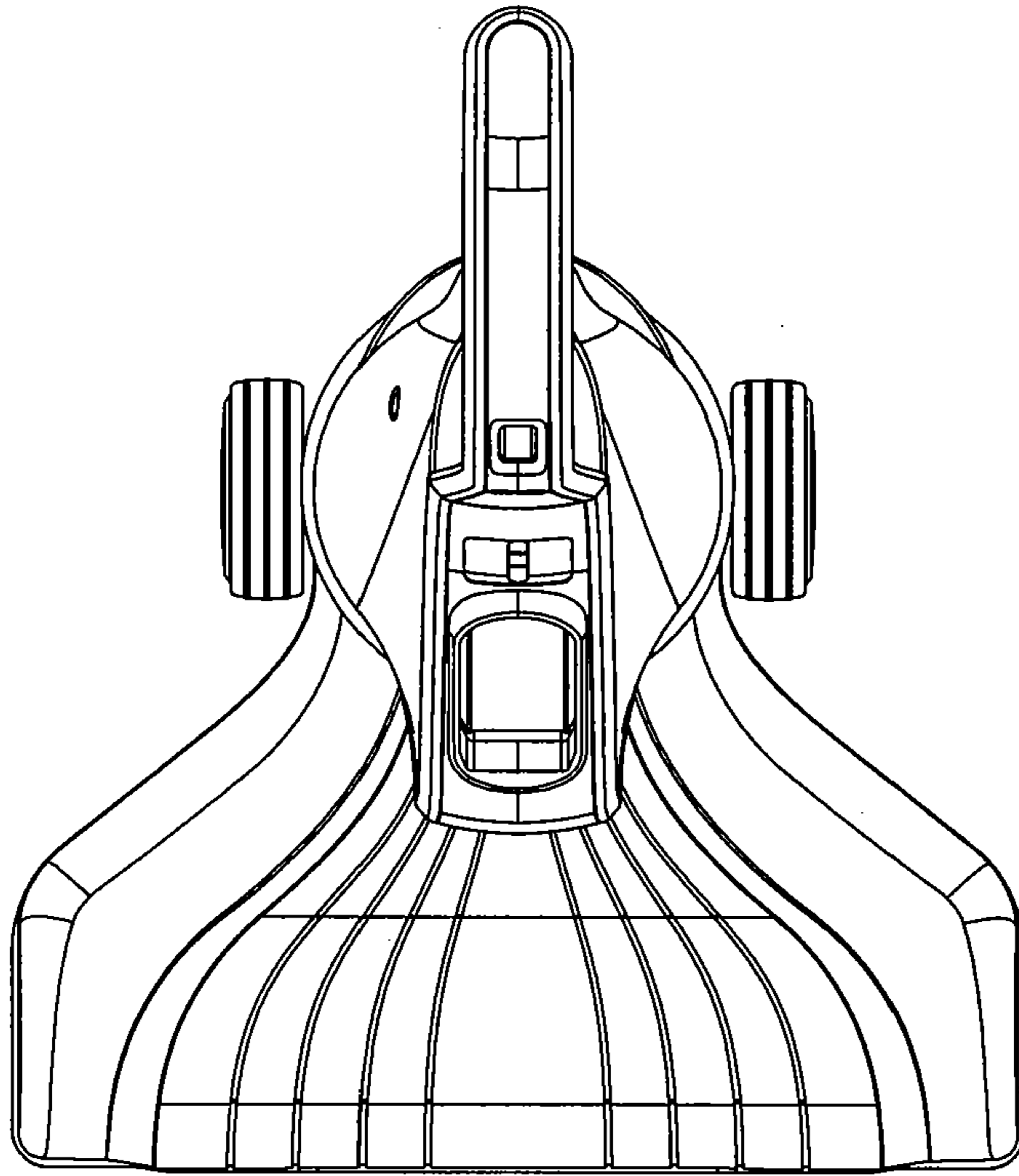
**FIG. 1**



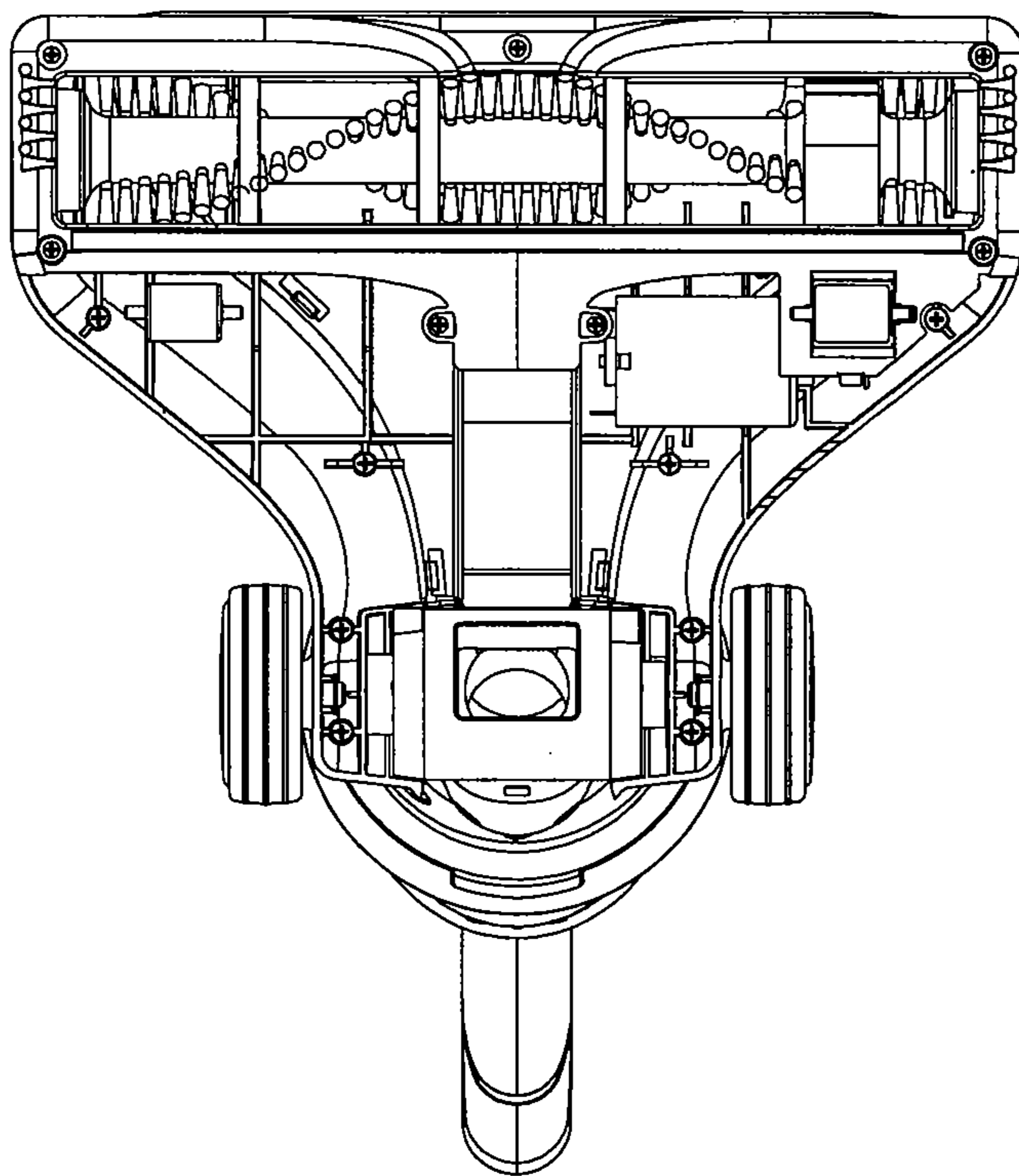
**FIG. 2**



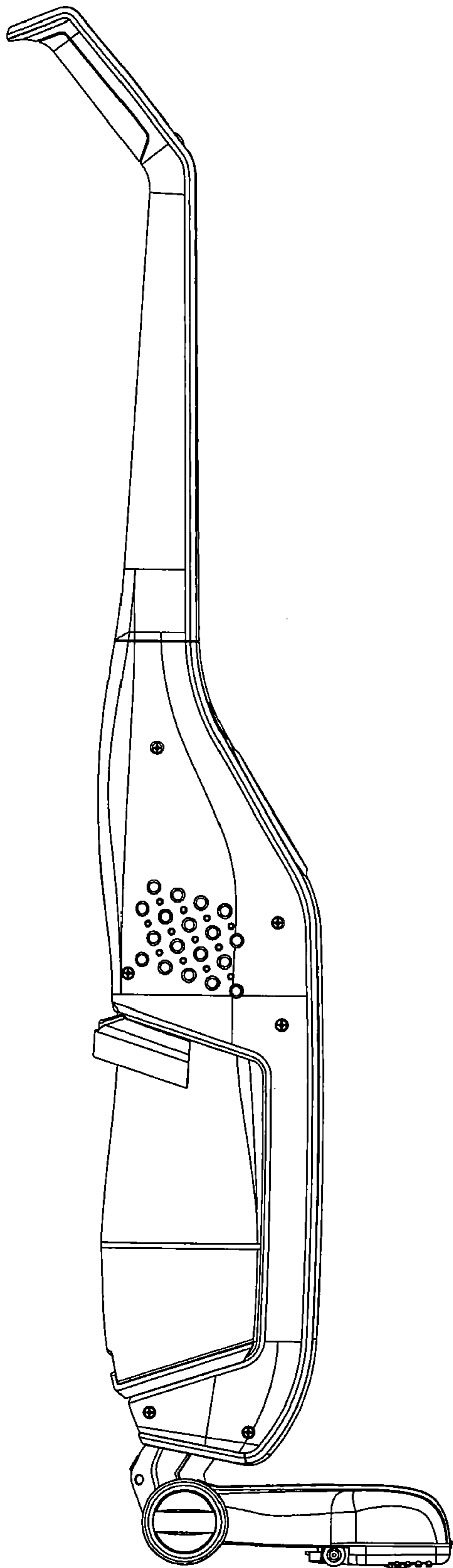
**FIG. 3**



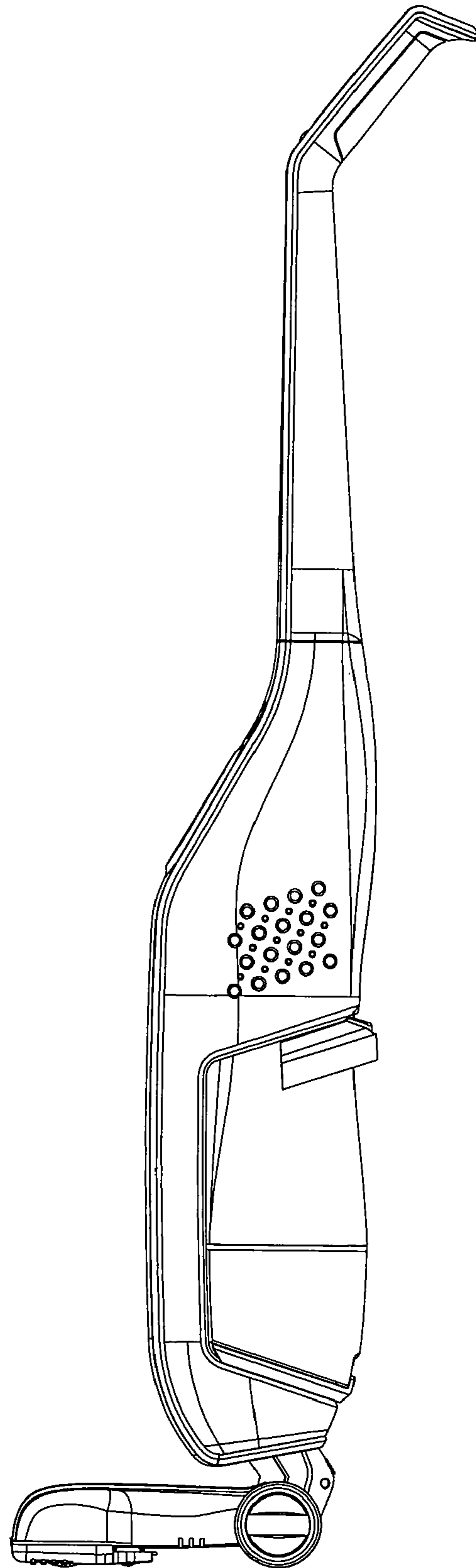
**FIG. 4**



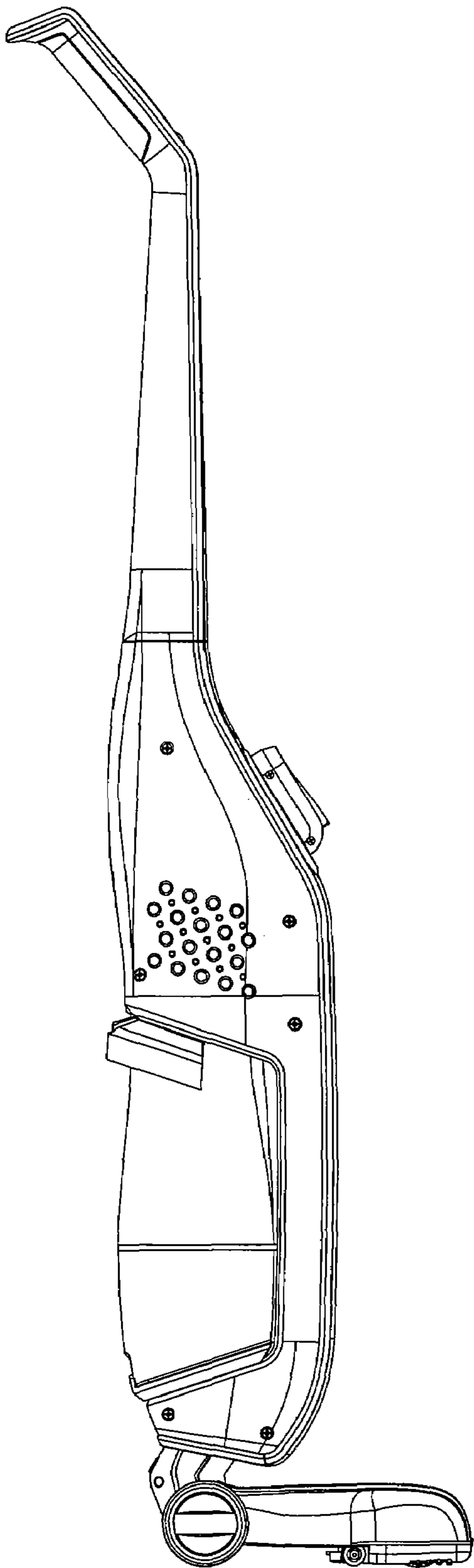
**FIG. 5**



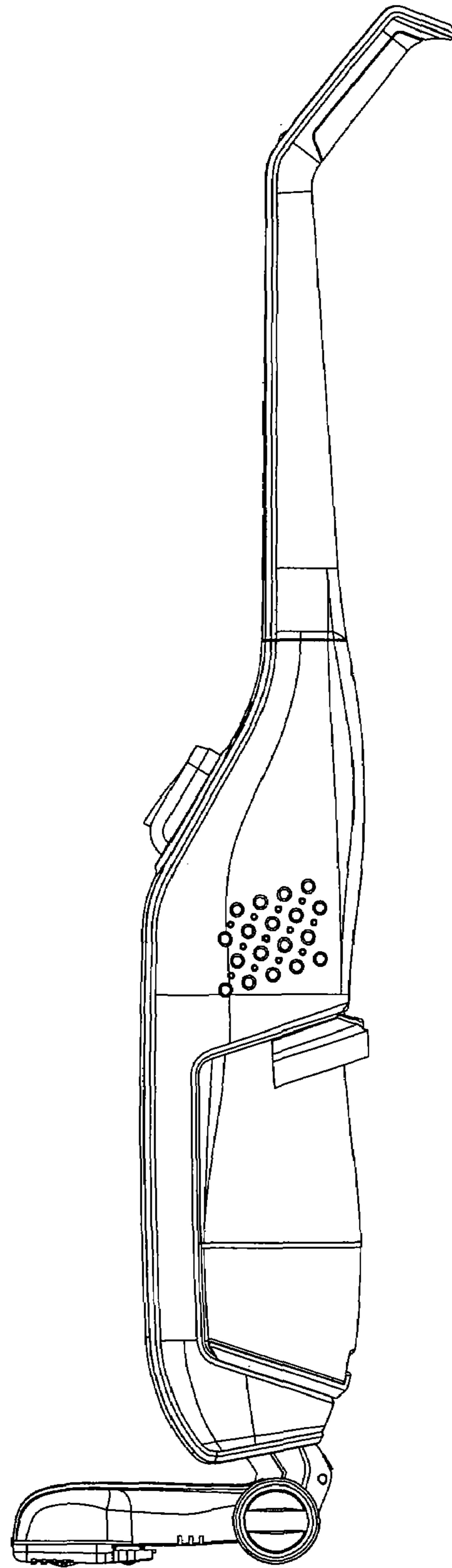
**FIG. 6**



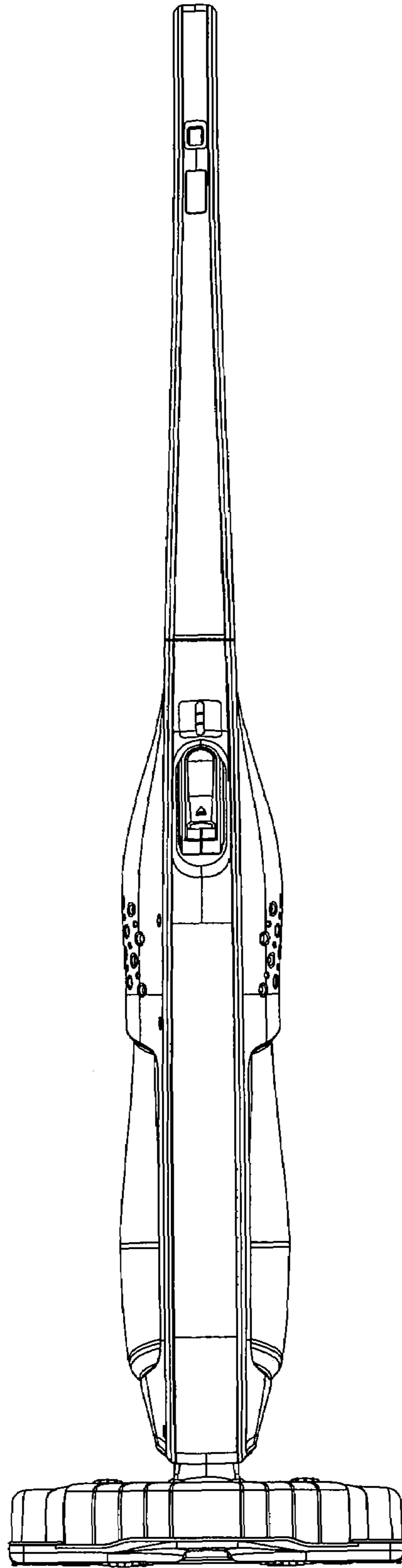
**FIG. 7**



**FIG. 8**



**FIG. 9**



**FIG. 10**