



US00D615716S

(12) **United States Design Patent**  
**Tinius**

(10) **Patent No.:** **US D615,716 S**

(45) **Date of Patent:** **\*\* \*May 11, 2010**

(54) **BLOWING MACHINE**

(75) Inventor: **Michael Tinius**, Ulm (DE)

(73) Assignee: **Andreas Stihl AG & Co. KG**,  
Waiblingen (DE)

(\*) Notice: This patent is subject to a terminal disclaimer.

(\*\*) Term: **14 Years**

(21) Appl. No.: **29/323,954**

(22) Filed: **Sep. 3, 2008**

(30) **Foreign Application Priority Data**

Mar. 5, 2008 (EM) ..... 000894738-0004

(51) **LOC (9) Cl.** ..... **15-05**

(52) **U.S. Cl.** ..... **D32/15**

(58) **Field of Classification Search** ..... D32/1,  
D32/15, 21, 25, 16-18; 15/344-345, 405,  
15/414-415.1; D23/383

See application file for complete search history.

(56) **References Cited**

**U.S. PATENT DOCUMENTS**

D258,908 S *	4/1981	Satoh	.....	D23/383
D266,355 S *	9/1982	Mariol	.....	D23/383
D266,587 S *	10/1982	Satoh	.....	D23/383
D279,319 S *	6/1985	McCloskey et al.	.....	D32/15
D297,274 S *	8/1988	Komiya et al.	.....	D32/15
D359,603 S *	6/1995	Rakocy et al.	.....	D32/15
D400,322 S *	10/1998	Webster et al.	.....	D32/15
5,950,276 A *	9/1999	Everts et al.	.....	15/405
D427,394 S *	6/2000	Yamane et al.	.....	D32/15
6,108,865 A *	8/2000	Veser et al.	.....	15/414
D431,697 S *	10/2000	Hayakawa et al.	.....	D32/15
D461,604 S *	8/2002	Martin et al.	.....	D32/15
D468,874 S *	1/2003	Nawrozki et al.	.....	D32/15
D469,931 S *	2/2003	Nawrozki et al.	.....	D32/15
D497,459 S *	10/2004	Nawrozki et al.	.....	D32/15
D497,692 S *	10/2004	Nawrozki et al.	.....	D32/15
6,834,413 B2 *	12/2004	Sanders et al.	.....	15/405

D526,750 S *	8/2006	Ito	.....	D32/15
D556,395 S *	11/2007	Martin et al.	.....	D32/15
D558,939 S *	1/2008	Yuasa	.....	D32/15
D569,055 S *	5/2008	Bochmann et al.	.....	D32/15
D577,113 S *	9/2008	Tinius	.....	D23/383
D584,460 S *	1/2009	Sweeney	.....	D32/15
D584,461 S *	1/2009	Sweeney	.....	D32/15
D594,961 S *	6/2009	Tinius	.....	D23/383

(Continued)

*Primary Examiner*—T. Chase Nelson

*Assistant Examiner*—Kathleen M Sims

(74) *Attorney, Agent, or Firm*—McGuire Woods LLP

(57) **CLAIM**

I claim the ornamental design for a blowing machine, as shown and described.

**DESCRIPTION**

FIG. 1 is a top perspective view of the blowing machine;

FIG. 2 is a left side partial view of the blowing machine shown in FIG. 1;

FIG. 3 is a right side partial view of the blowing machine shown in FIG. 1;

FIG. 4 is a front partial view of the blowing machine shown in FIG. 1;

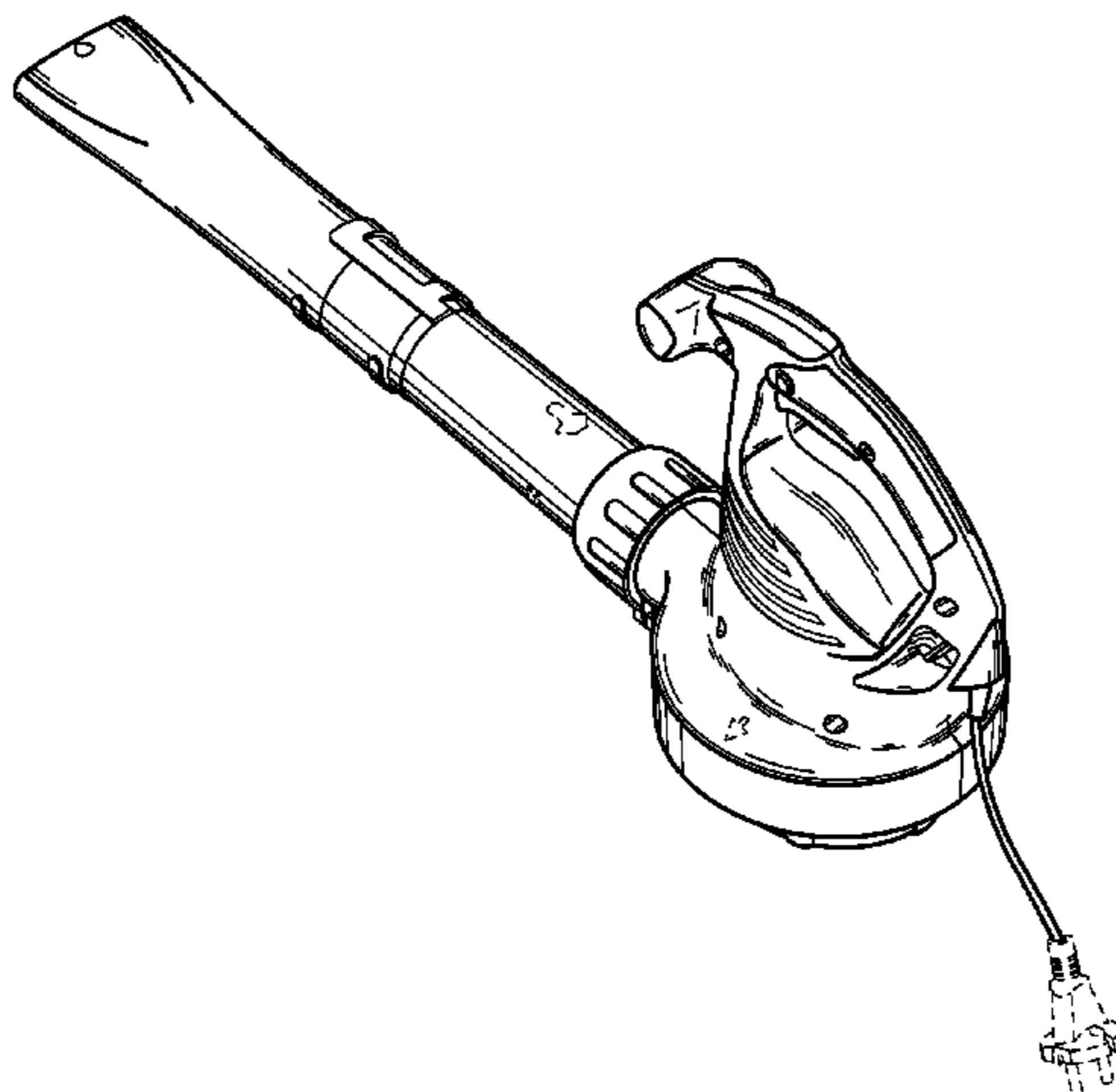
FIG. 5 is a rear view of the blowing machine shown in FIG. 1;

FIG. 6 is a bottom partial view of the blowing machine shown in FIG. 1; and,

FIG. 7 is a top partial view of the blowing machine shown in FIG. 1.

The subject matter shown in dashed lines, and any surfaces of the design not shown, including interior surfaces, form no part of the claimed invention.

**1 Claim, 7 Drawing Sheets**



# US D615,716 S

Page 2

---

U.S. PATENT DOCUMENTS		2008/0148513 A1*	6/2008	Shaffer .....	15/405
2002/0108211 A1*	8/2002	Svoboda .....			15/405
2003/0233730 A1*	12/2003	Sanders et al. ....			15/405
					* cited by examiner
		2009/0126147 A1*	5/2009	Nakazawa et al. ....	15/405

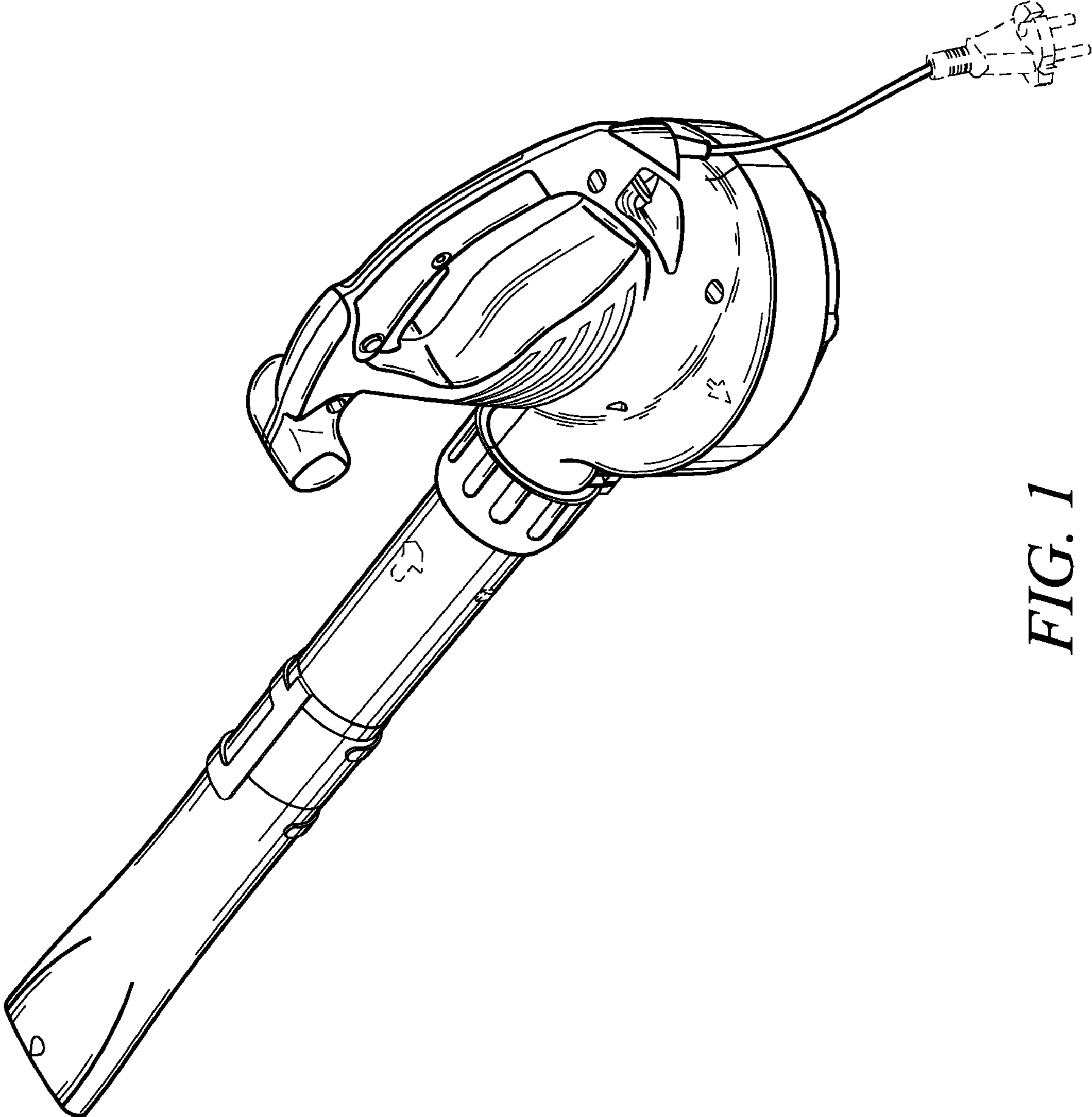


FIG. 1

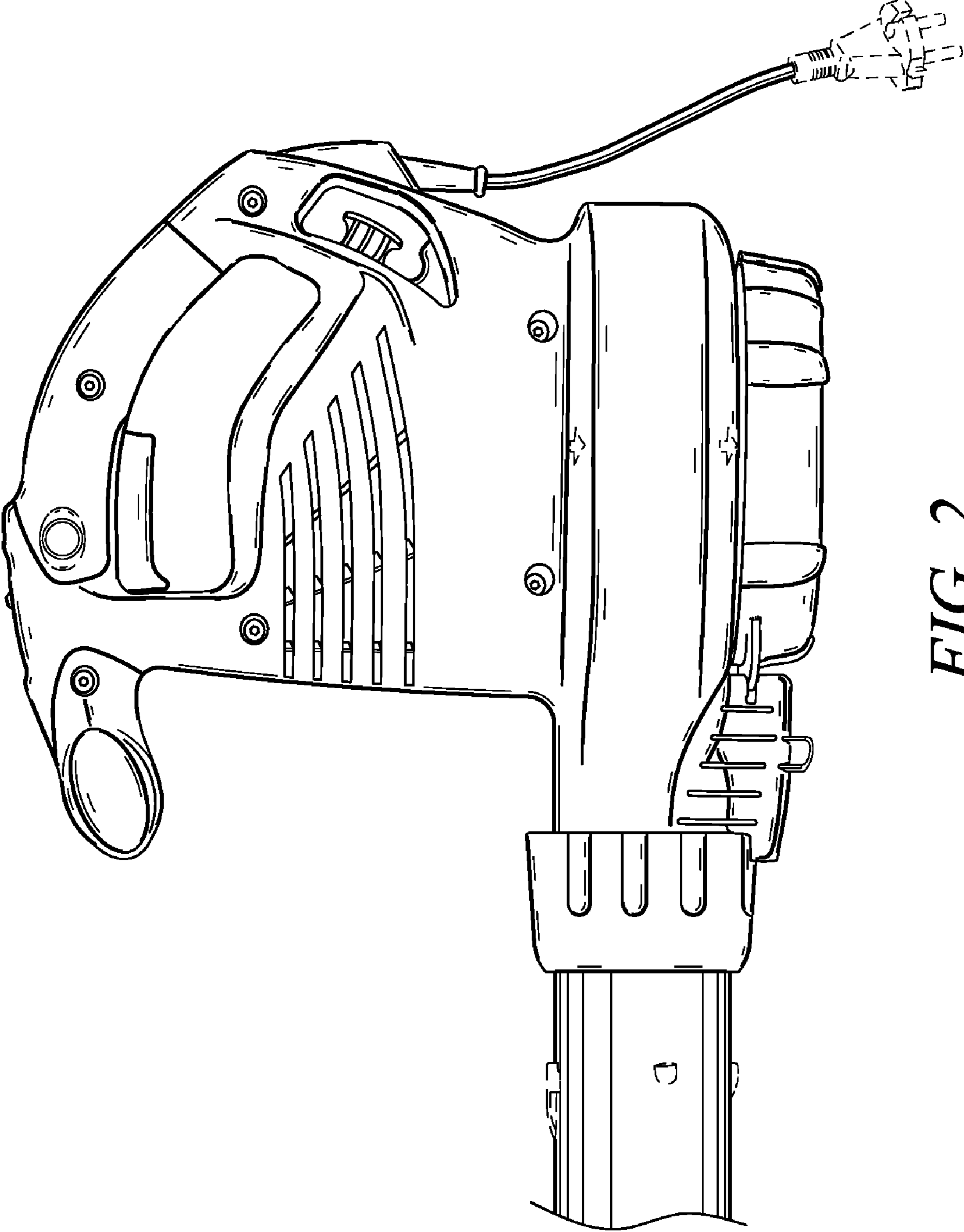


FIG. 2

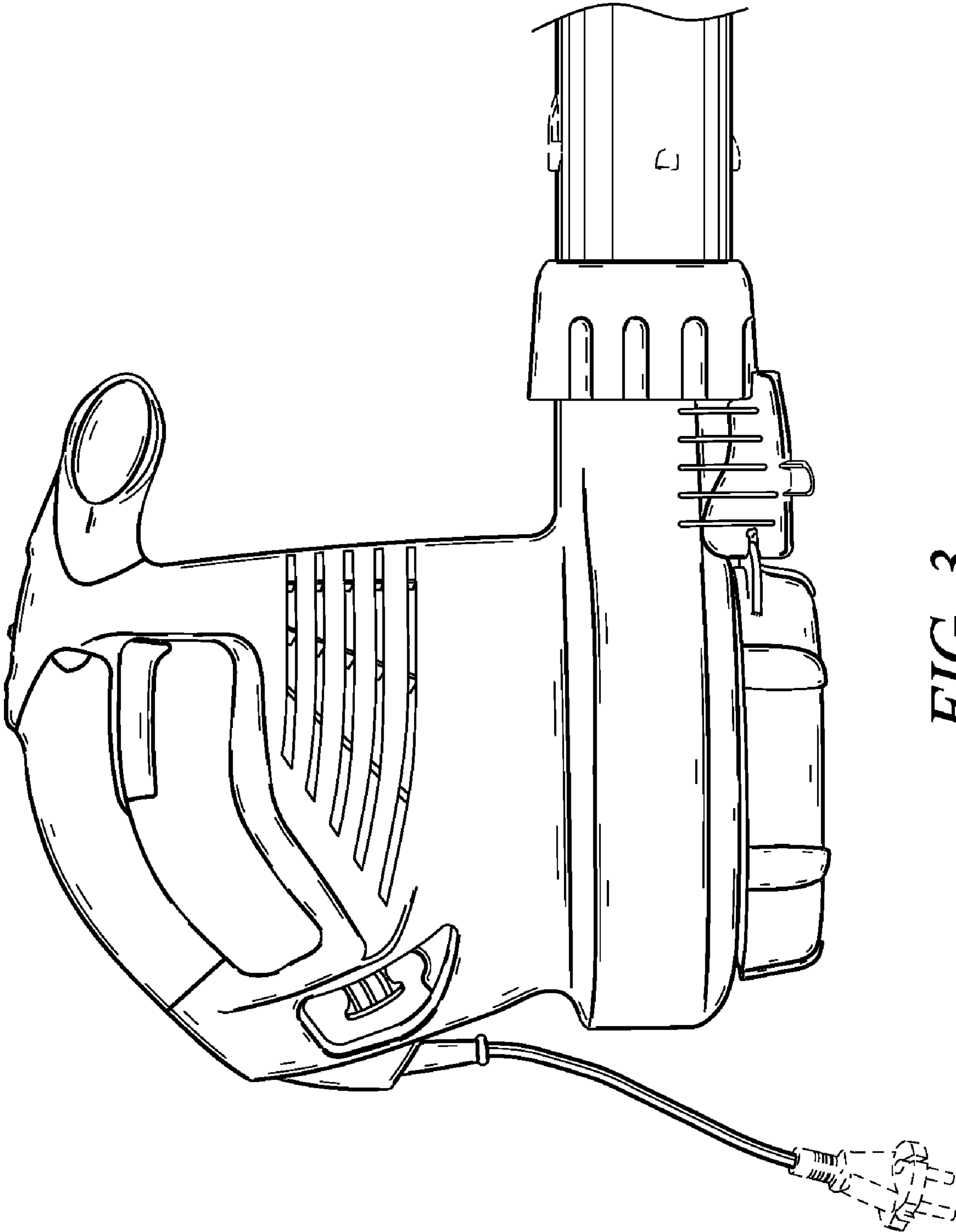
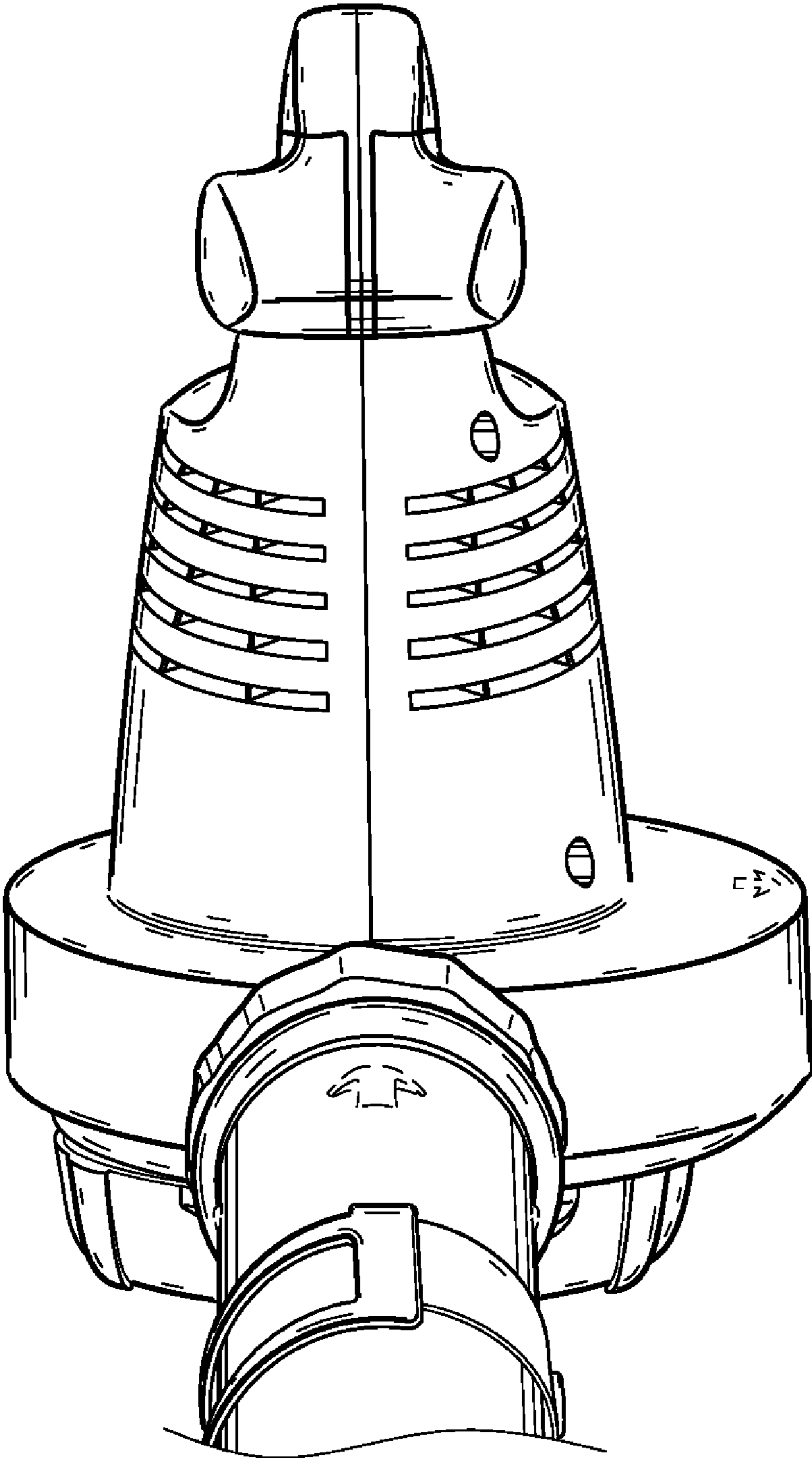
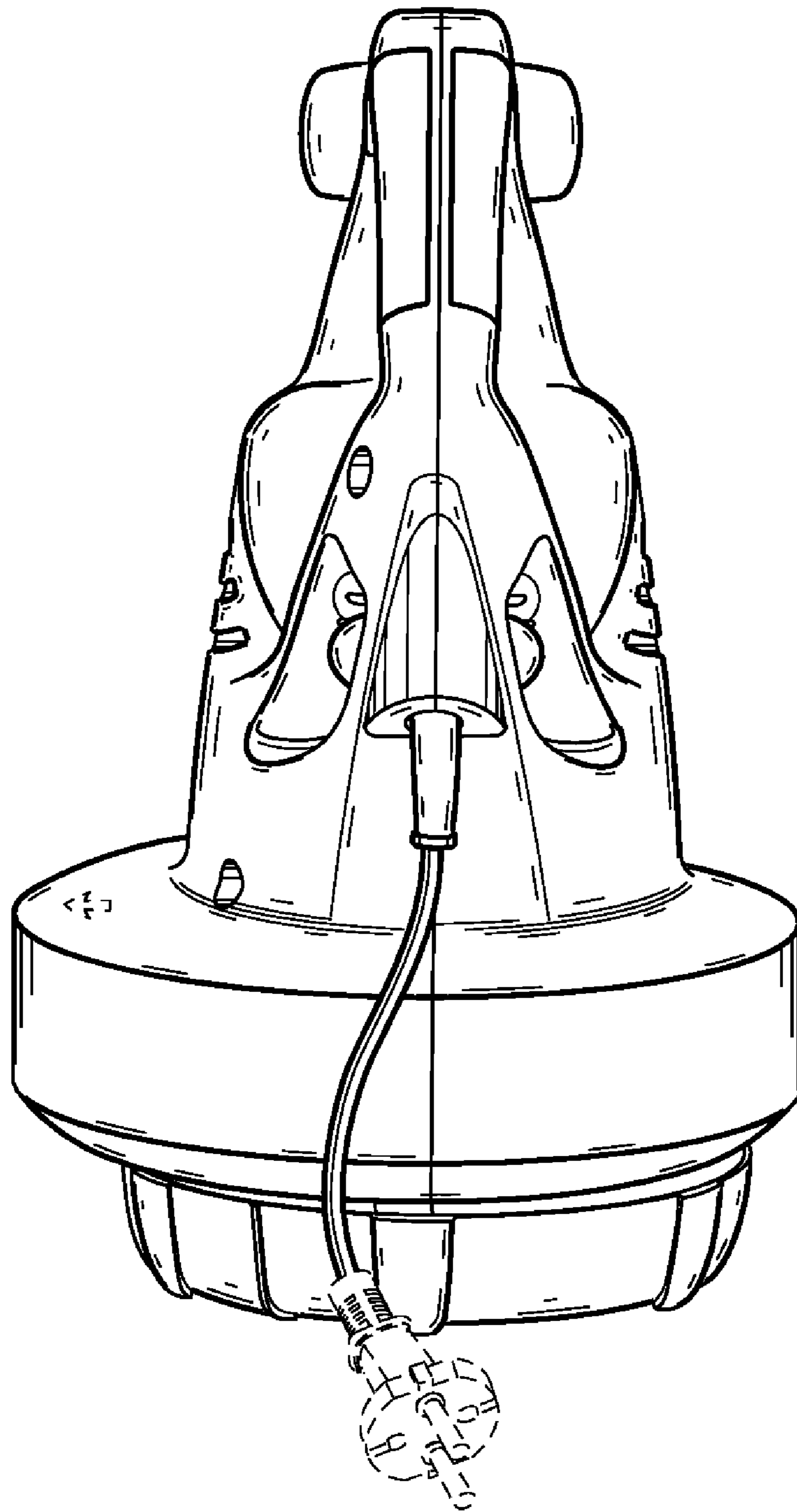


FIG. 3

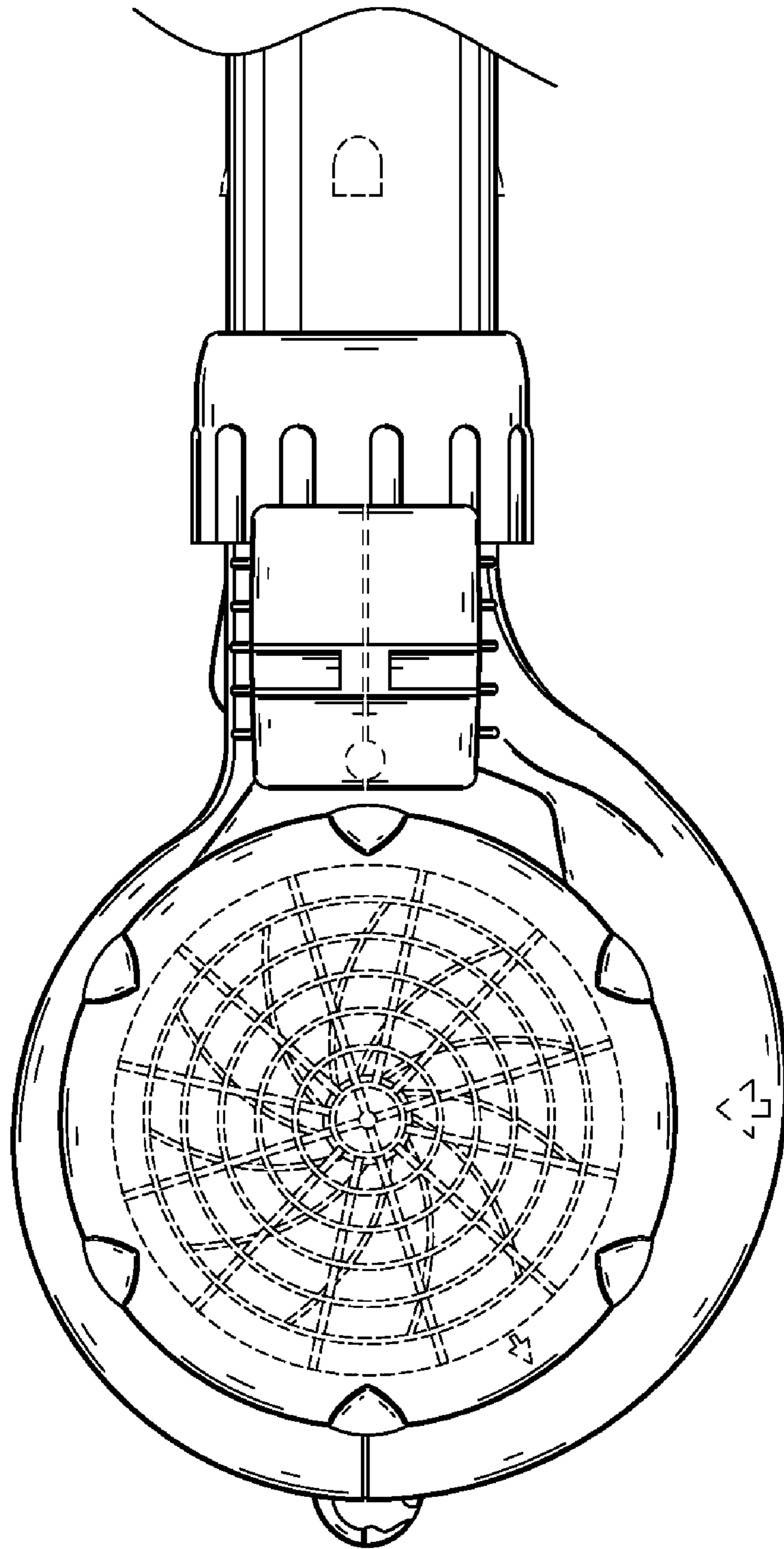




*FIG. 4*

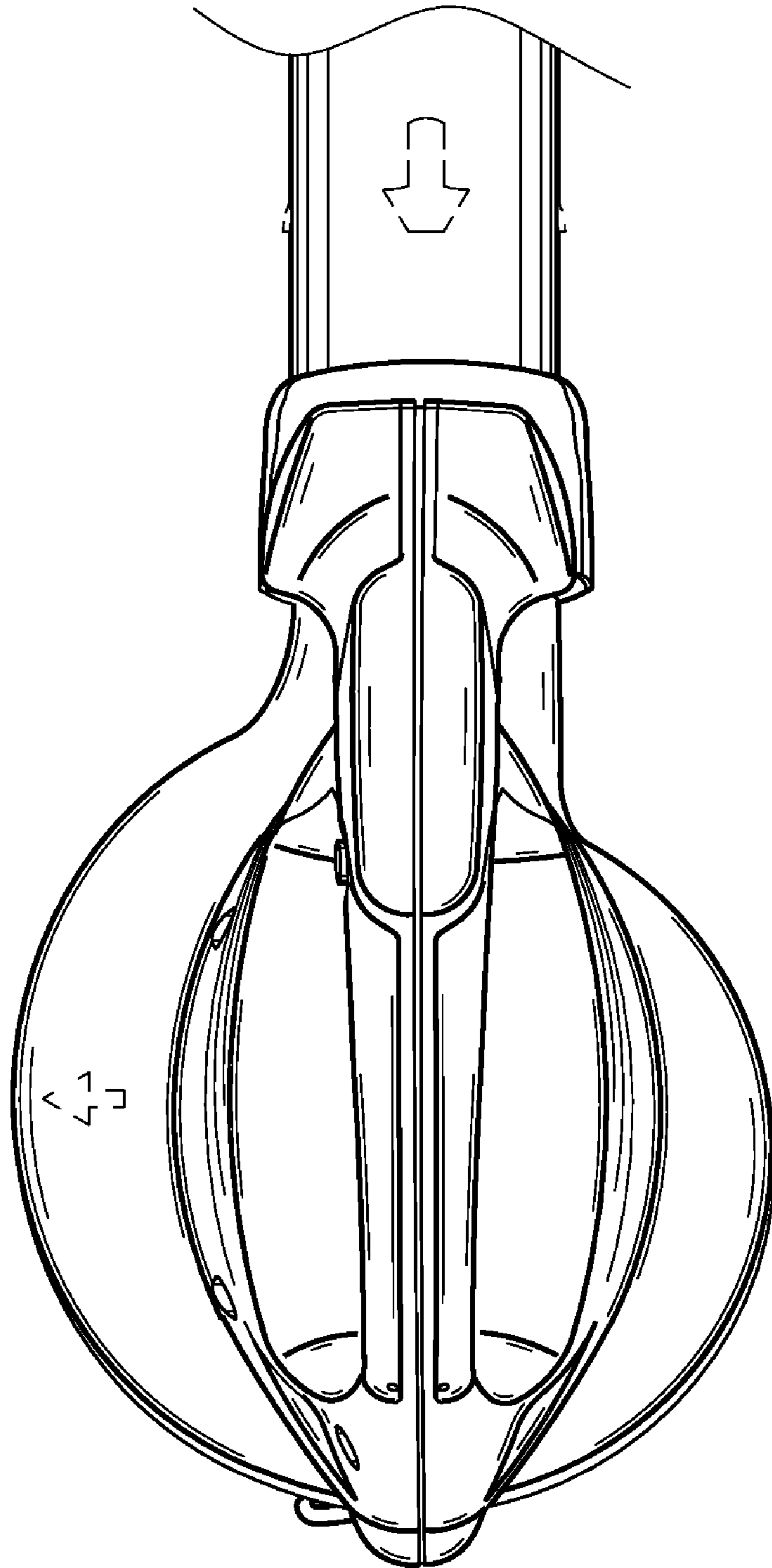


*FIG. 5*



*FIG. 6*





*FIG. 7*