



US00D615709S

(12) **United States Design Patent**
Manzo

(10) **Patent No.:** **US D615,709 S**

(45) **Date of Patent:** **** May 11, 2010**

(54) **MOUTHGUARD**

(75) Inventor: **Joseph S. Manzo**, Lansdale, PA (US)

(73) Assignee: **Brain-Pad, Inc.**, Conshohocken, PA (US)

(**) Term: **14 Years**

(21) Appl. No.: **29/350,959**

(22) Filed: **Nov. 25, 2009**

(51) **LOC (9) Cl.** **29-02**

(52) **U.S. Cl.** **D29/108**

(58) **Field of Classification Search** D29/108,
D29/122, 176, 180-181; 2/445, 9, 424;
128/859, 848, 861, 862; 602/902; 433/6
See application file for complete search history.

5,277,202 A	1/1994	Hays	
5,357,876 A	10/1994	Kniefel	
5,407,210 A	4/1995	Canning	
5,462,066 A	10/1995	Snyder	
5,531,449 A	7/1996	Denton	
5,580,293 A	12/1996	Sestak	
5,636,379 A	6/1997	Williams	
D382,965 S	8/1997	Wagner	
5,833,234 A	11/1998	Vavala	
D406,405 S	3/1999	Yoshida	
D408,919 S	4/1999	Cooley	
5,967,519 A	10/1999	Cumberland et al.	
D434,501 S	11/2000	Redhage	
D452,011 S *	12/2001	Redhage D24/181
6,491,036 B2	12/2002	Cook	
6,494,210 B1	12/2002	Mams	
D473,976 S	4/2003	Wilkins	
6,584,978 B1	7/2003	Brett et al.	
6,585,610 B2	7/2003	Sompolinsky	

(56) **References Cited**

U.S. PATENT DOCUMENTS

1,125,194 A	1/1915	Sigmund
1,674,336 A	6/1928	King
2,521,039 A	9/1950	Carpenter
2,590,118 A	3/1952	Oddo, Jr.
2,966,908 A	1/1961	Cathcart et al.
3,247,844 A	4/1966	Berghash
3,312,218 A	4/1967	Jacobs
3,346,317 A	10/1967	Peggs
D212,848 S	12/1968	Westlund
3,457,916 A	7/1969	Wolicki
D215,685 S	10/1969	Helmer
3,692,025 A	9/1972	Greenberg
D228,048 S	8/1973	Miller
4,044,762 A	8/1977	Jacobs
4,133,531 A	1/1979	Arteaga
4,370,129 A	1/1983	Huge
4,376,628 A	3/1983	Aardse
4,765,324 A	8/1988	Lake, Jr.
4,791,941 A	12/1988	Schaefer
4,944,947 A	7/1990	Newman
4,977,905 A	12/1990	Kittelsen et al.
5,092,346 A	3/1992	Hays
5,117,816 A	6/1992	Shapiro
5,165,424 A	11/1992	Silverman

(Continued)

Primary Examiner—Lisa P Lichtenstein

(74) *Attorney, Agent, or Firm*—John F. Letchford; Archer & Greiner, P.C.

(57) **CLAIM**

The ornamental design for a mouthguard, as shown and described.

DESCRIPTION

FIG. 1 is a front perspective view of a mouthguard showing my new design;

FIG. 2 is a rear perspective view thereof;

FIG. 3 is a front elevational view thereof;

FIG. 4 is a rear elevational view thereof;

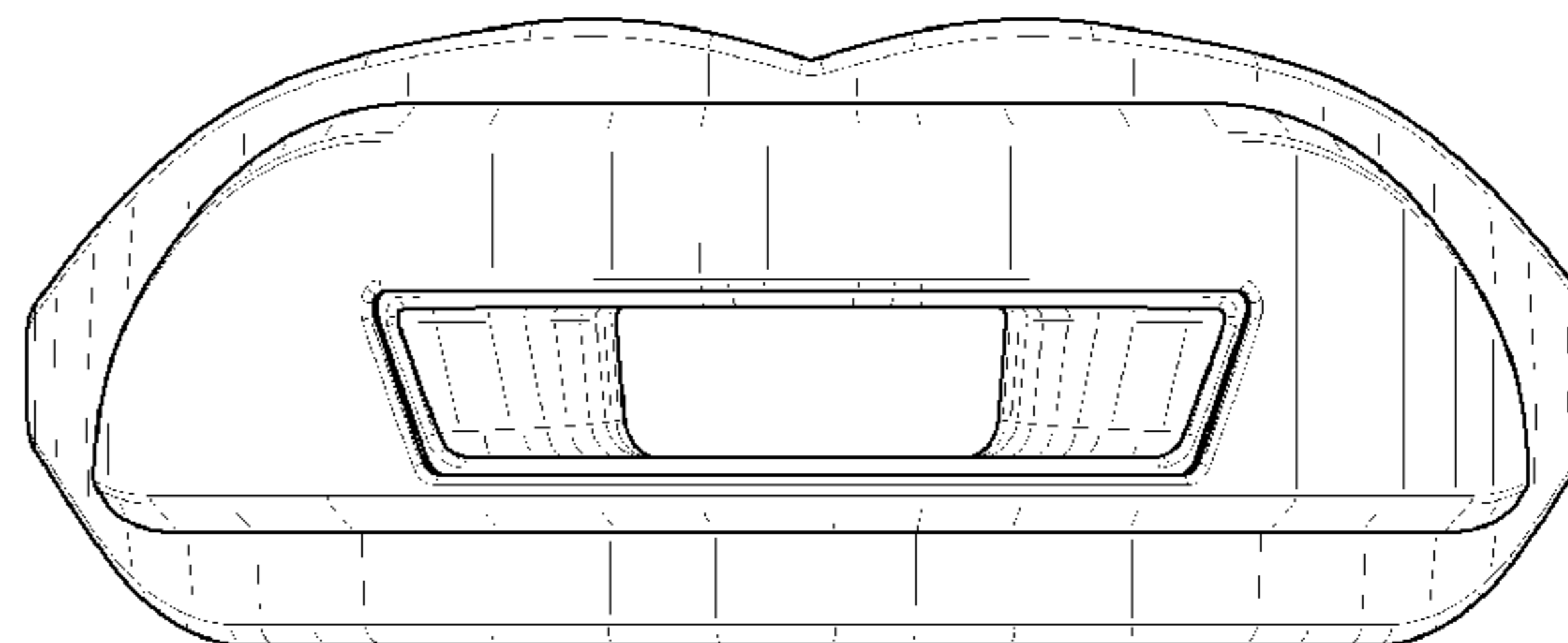
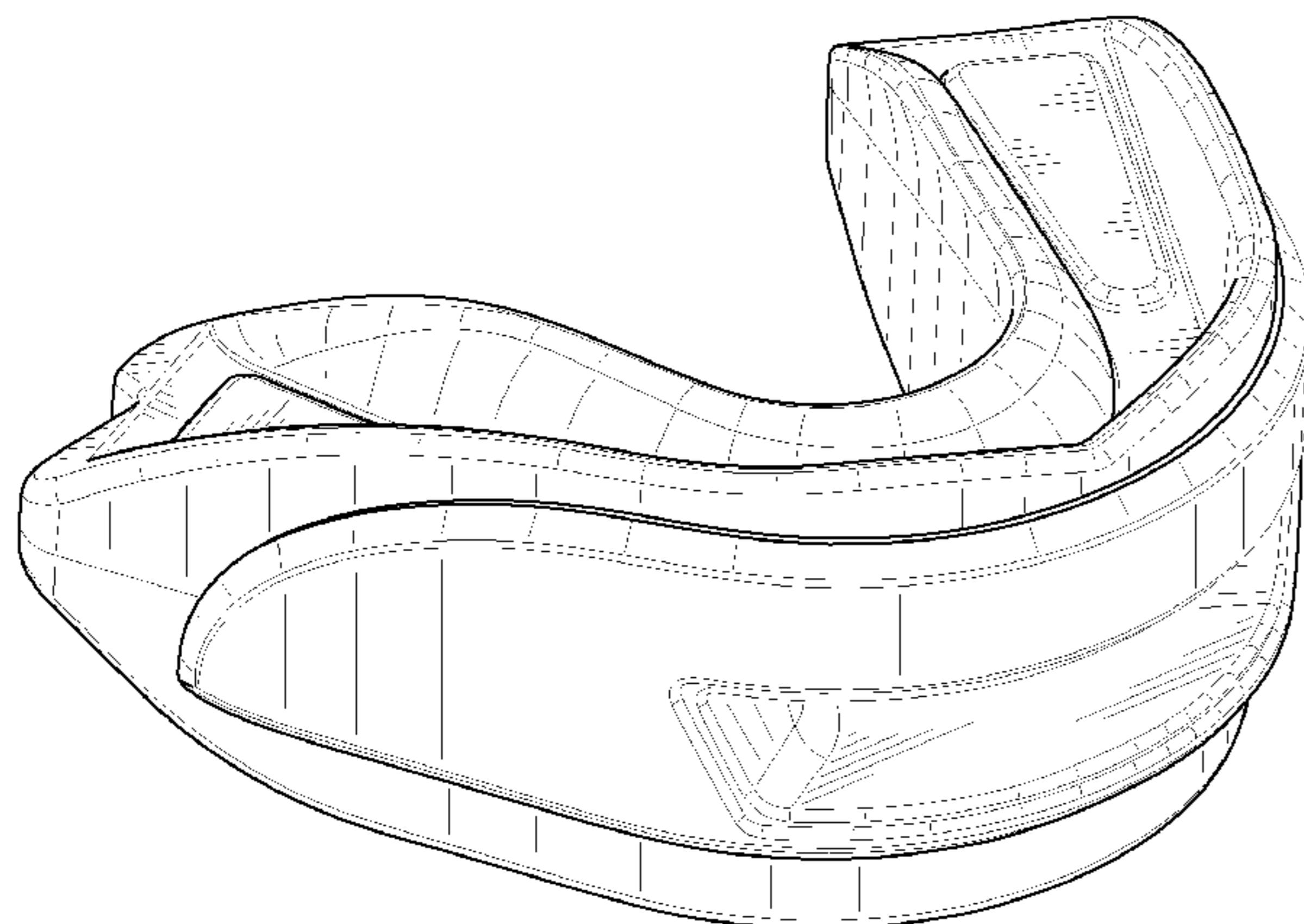
FIG. 5 is a bottom plan view thereof;

FIG. 6 is a top plan view thereof;

FIG. 7 is a right side elevational view thereof; and,

FIG. 8 is a left side elevational view thereof.

1 Claim, 5 Drawing Sheets



US D615,709 S

Page 2

U.S. PATENT DOCUMENTS

D493,578 S	7/2004	Manzo et al.	
D500,895 S *	1/2005	Manzo et al.	D29/108
D504,744 S	5/2005	Hidalgo et al.	
D509,028 S	8/2005	Farrell	
D525,749 S	7/2006	Manzo et al.	
D526,093 S	8/2006	Manzo et al.	
D526,095 S	8/2006	Manzo et al.	
D527,848 S	9/2006	Manzo et al.	
D530,863 S	10/2006	Manzo et al.	
D532,559 S	11/2006	Manzo et al.	
D537,986 S	3/2007	Manzo et al.	
D537,987 S	3/2007	Manzo et al.	
D548,403 S *	8/2007	Manzo et al.	D29/108

* cited by examiner

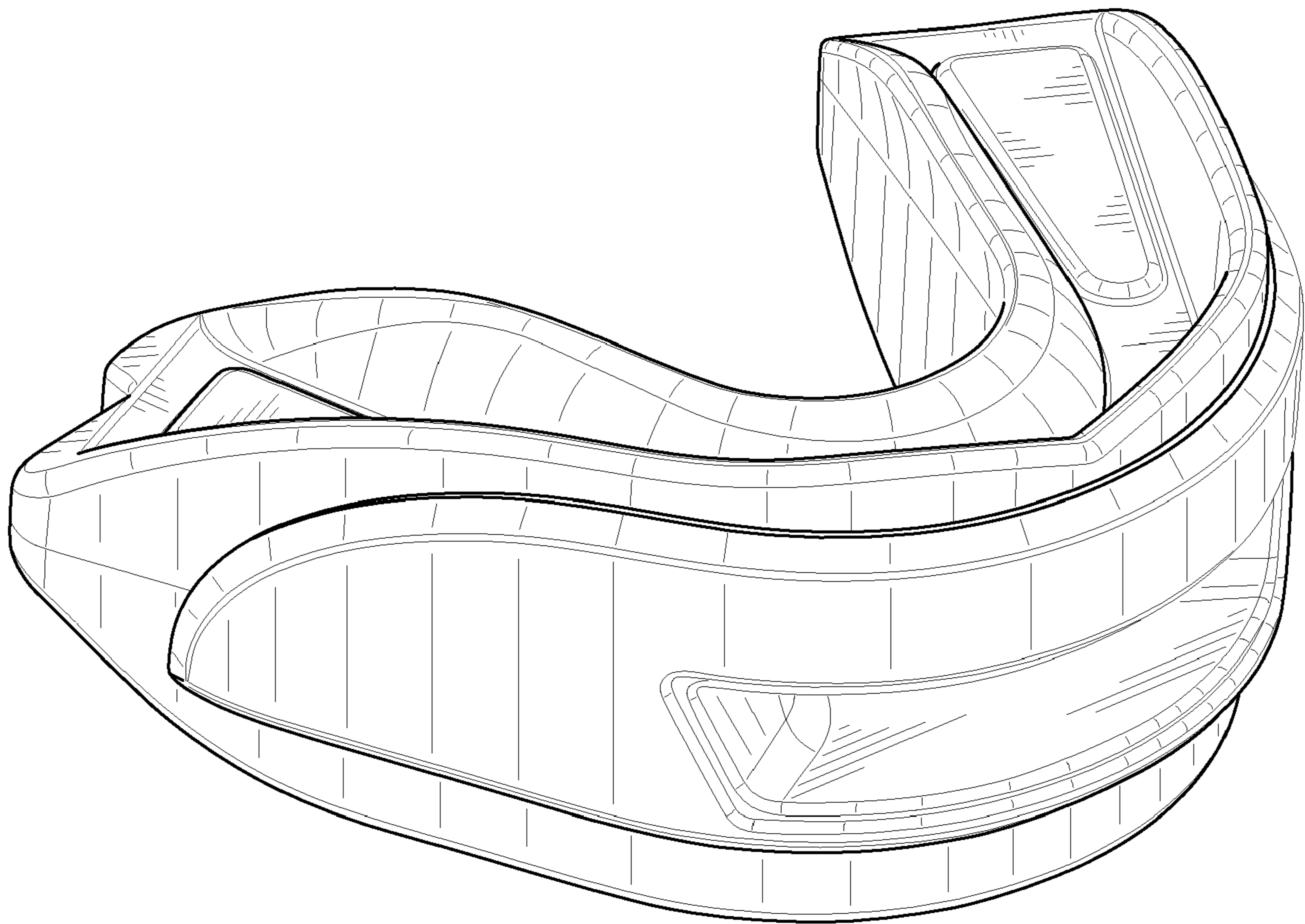


FIG. 1

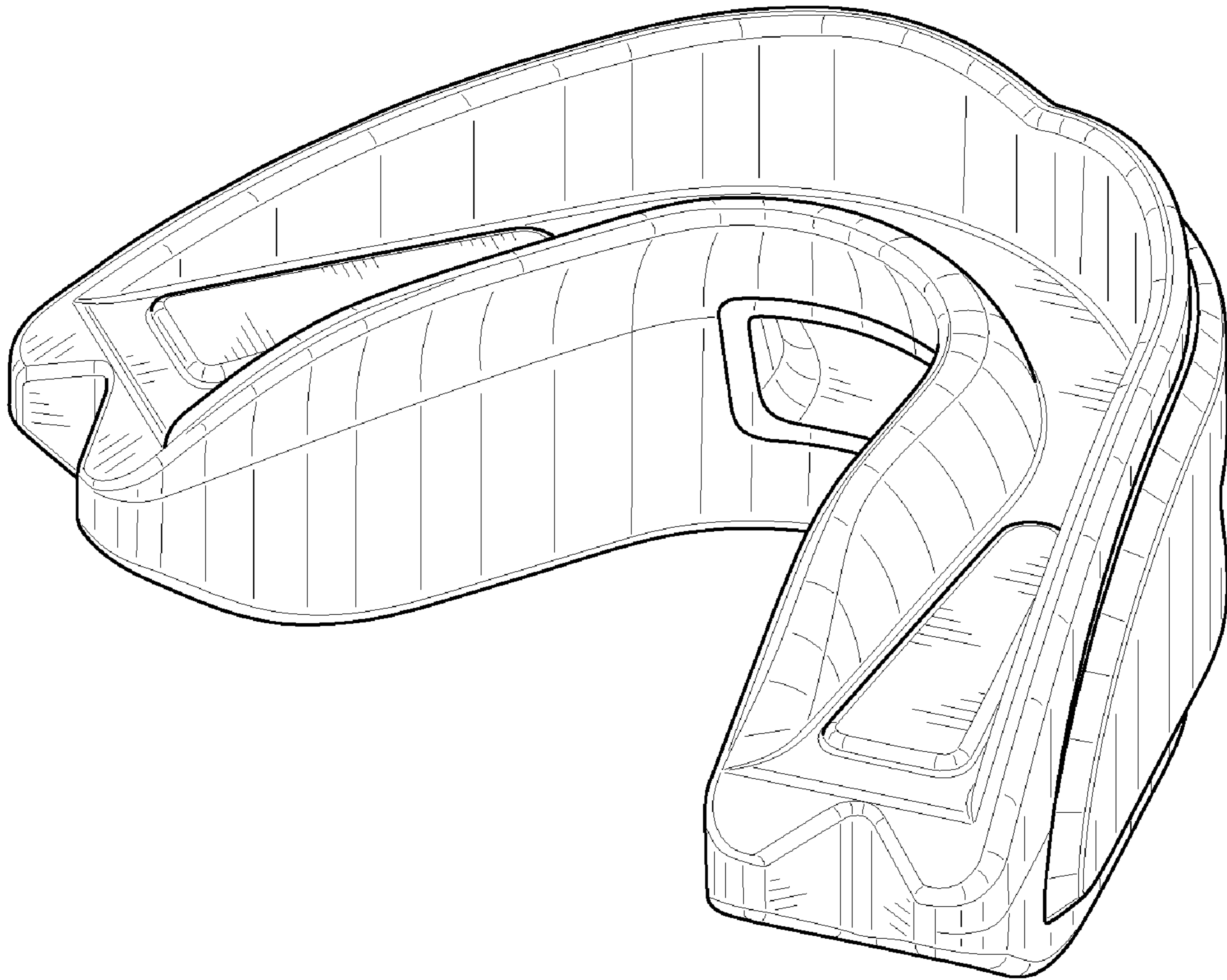


FIG. 2

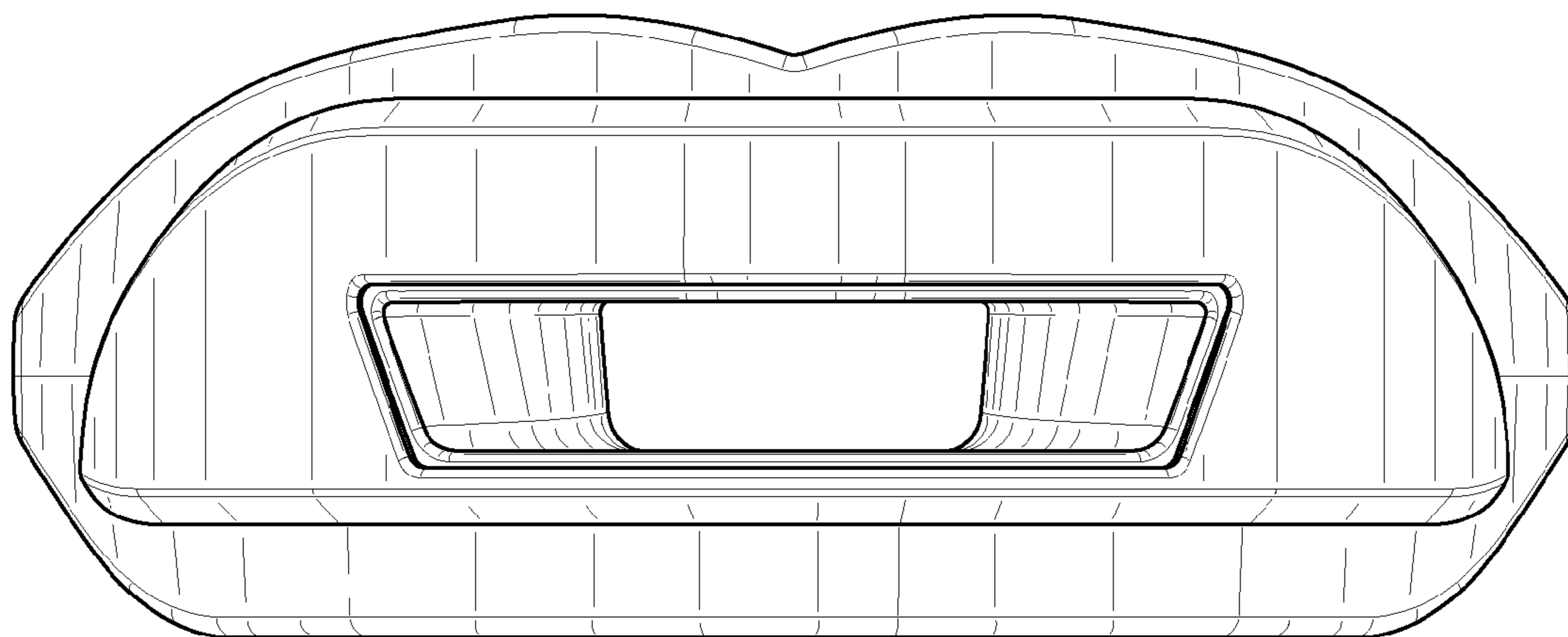


FIG. 3

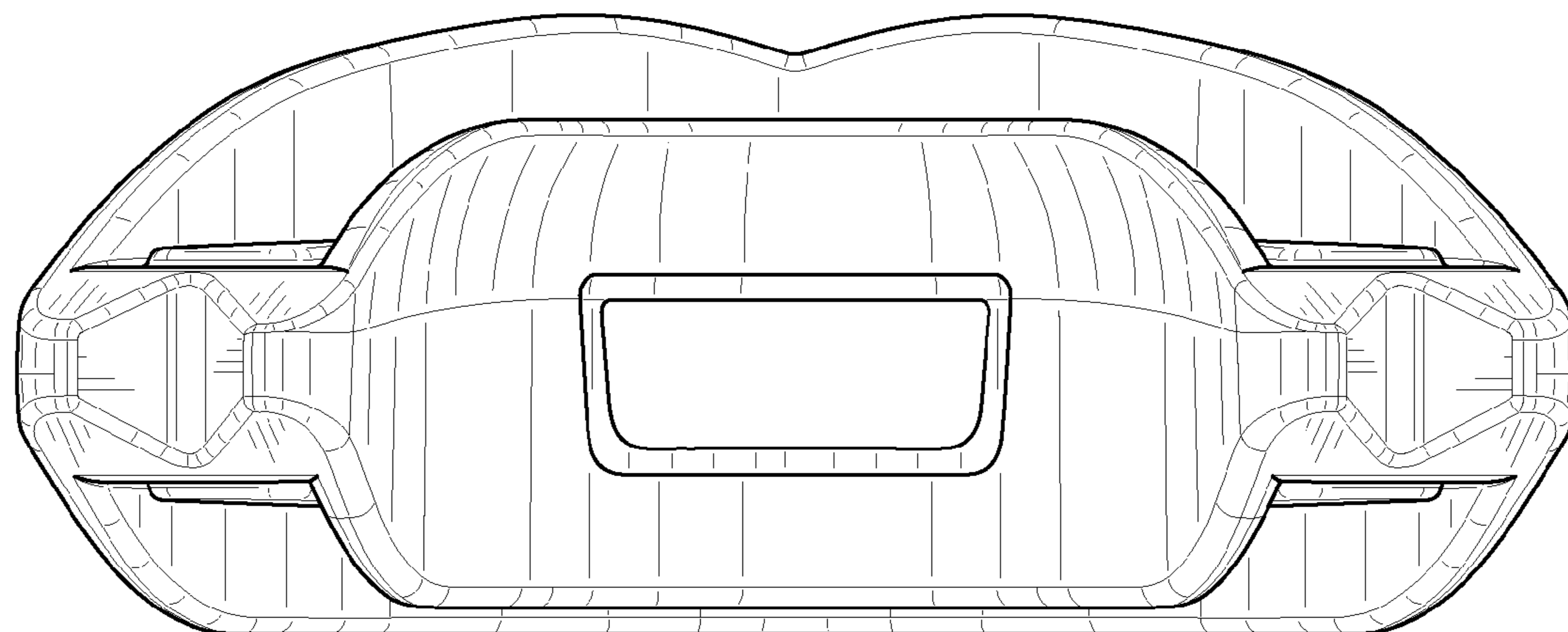


FIG. 4

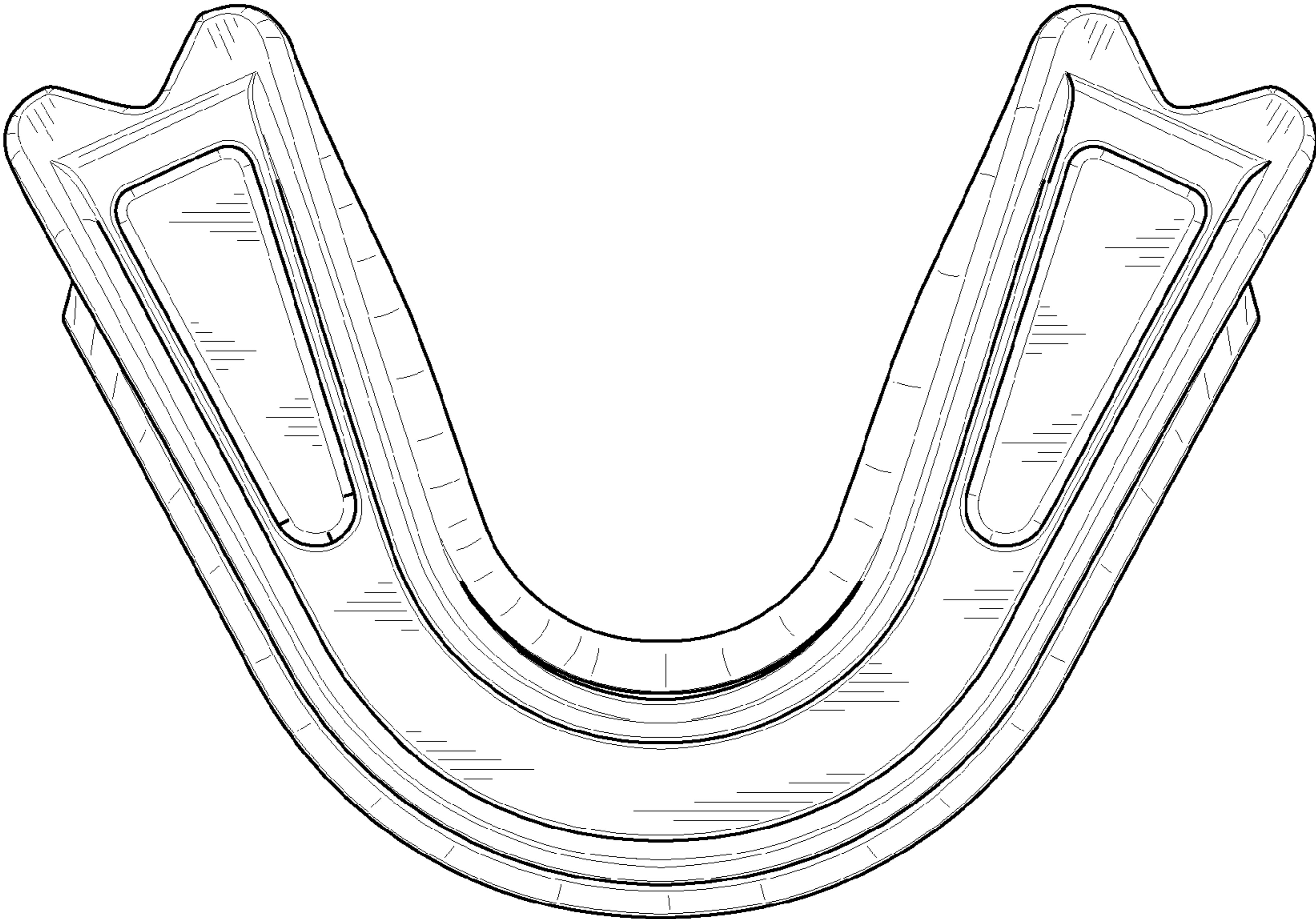


FIG. 5

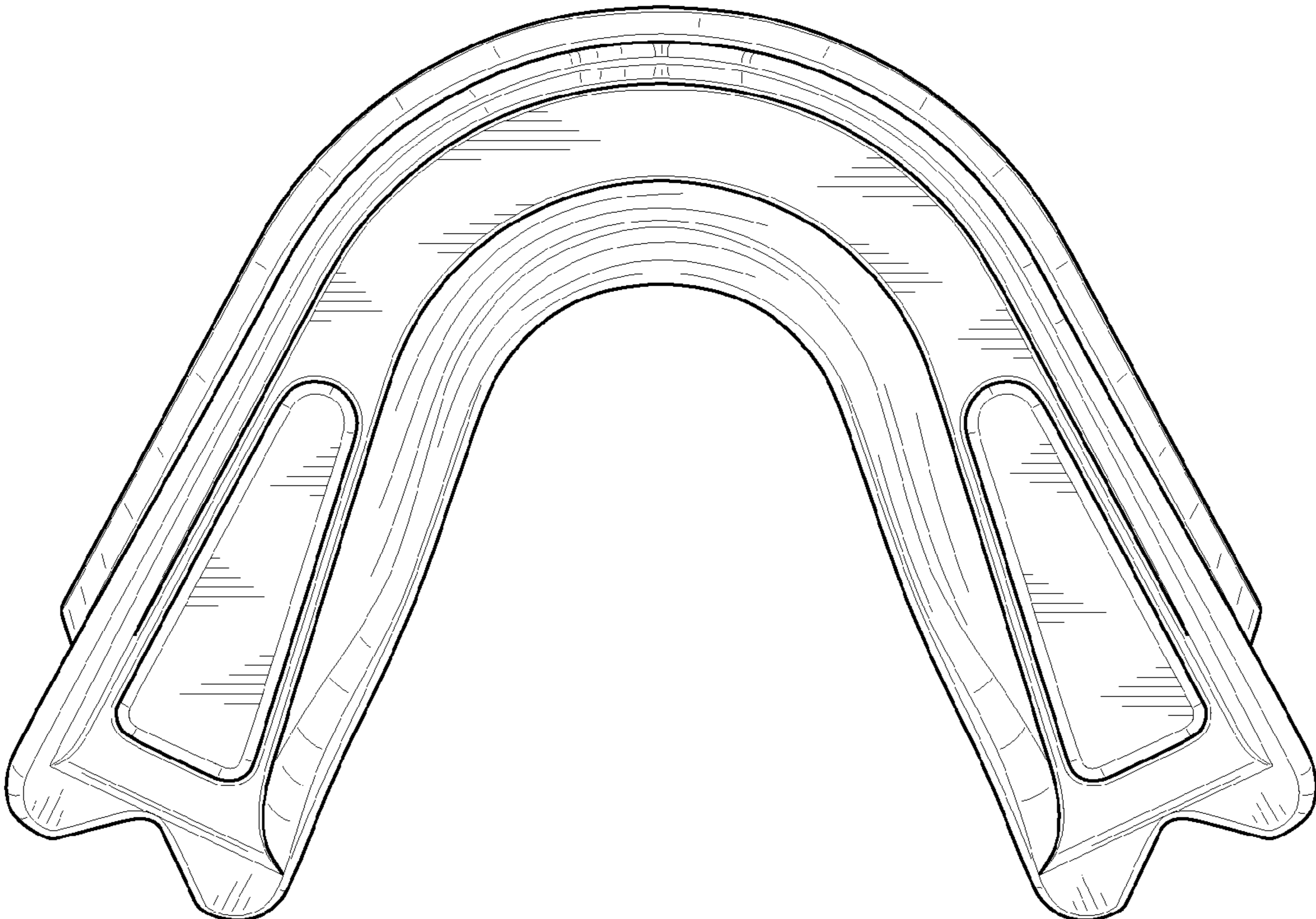


FIG. 6

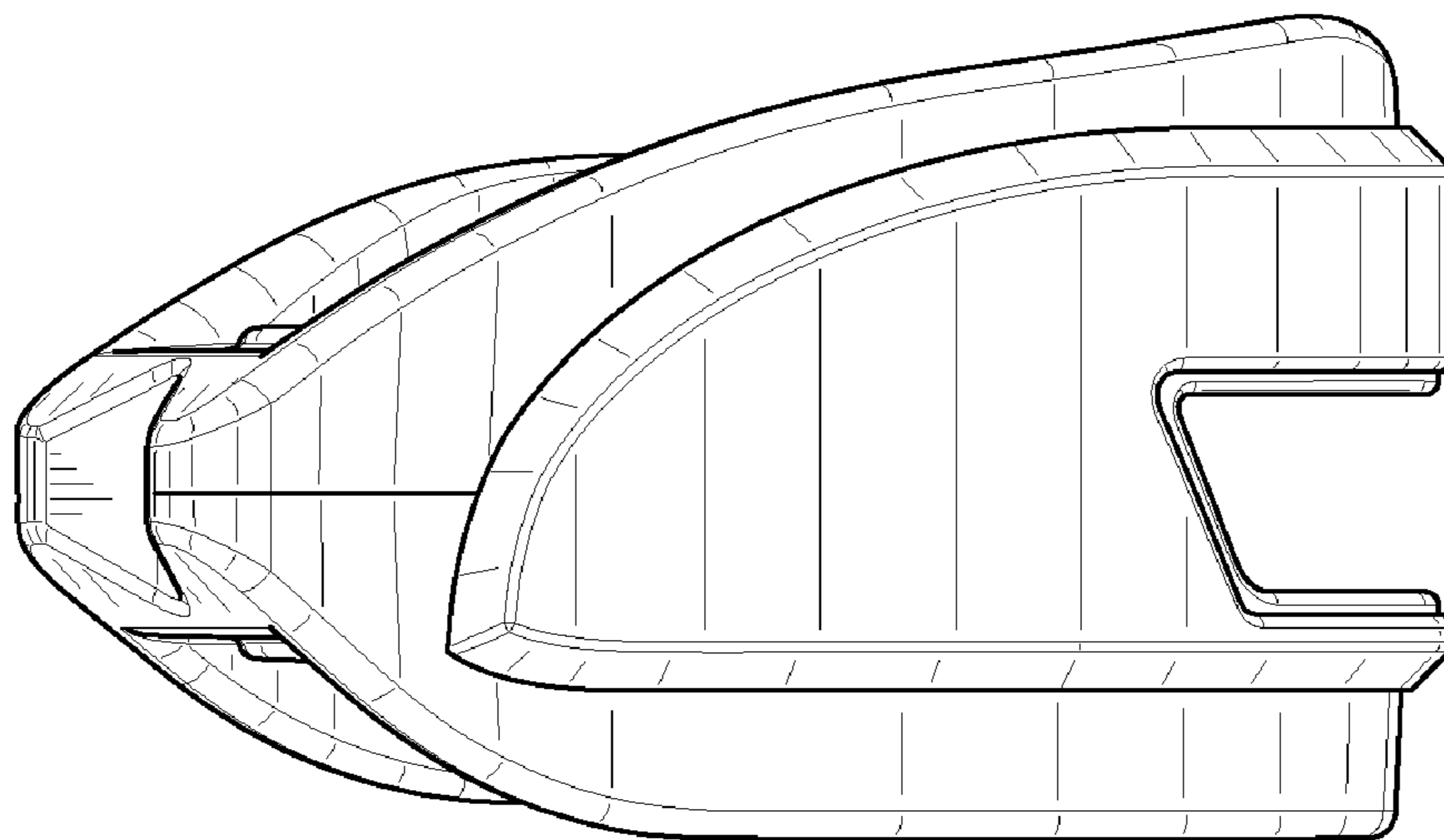


FIG. 7

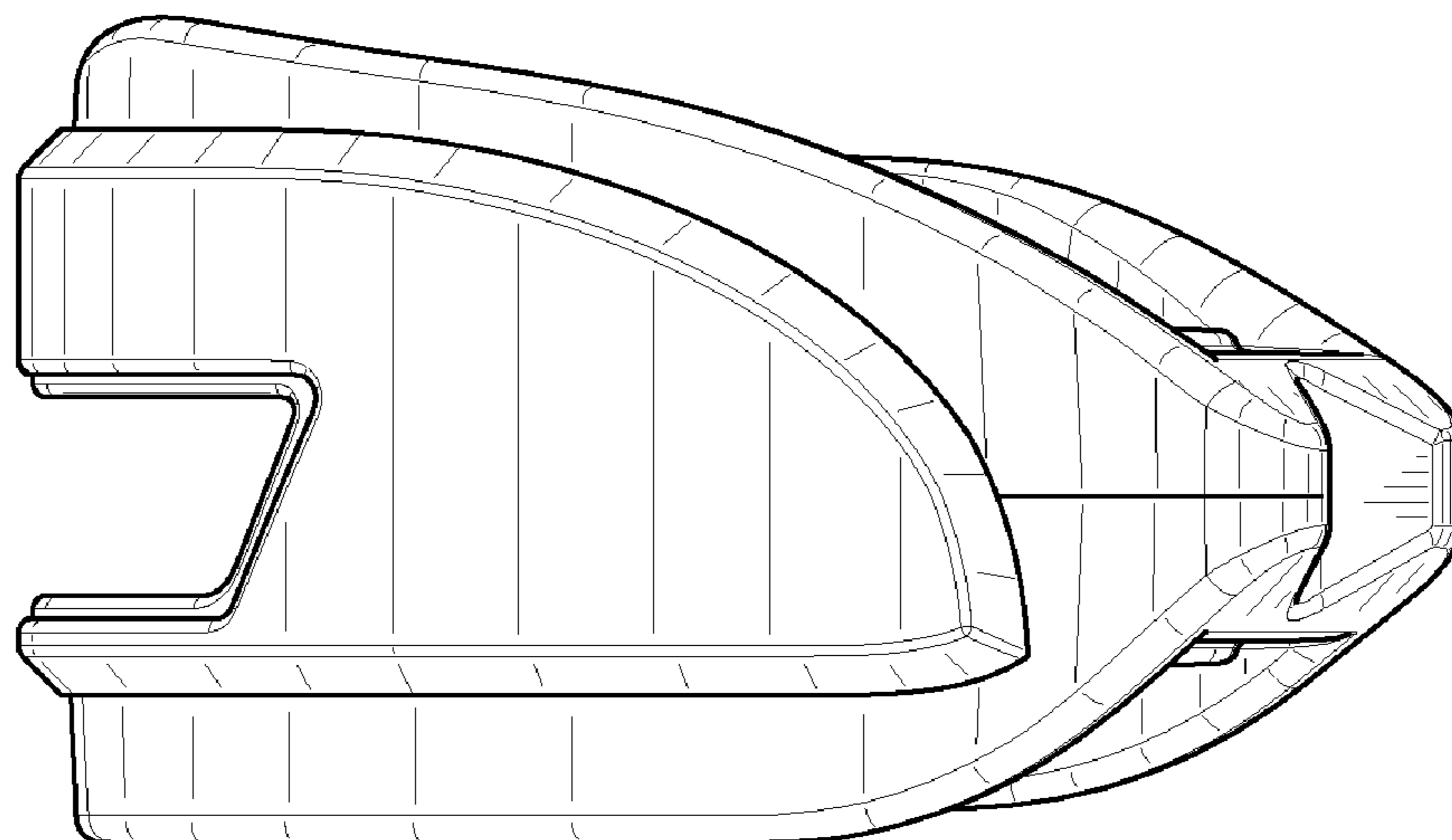


FIG. 8