



US00D615703S

(12) **United States Design Patent**  
**Hsu**

(10) **Patent No.:** **US D615,703 S**

(45) **Date of Patent:** **\*\* May 11, 2010**

(54) **HAIR RETAINER**

(76) Inventor: **Shih-Ling Hsu**, No. 46 Alley 87, Lane 871, Cheng-Bay Road, Tainan City (TW)

(\*\*) Term: **14 Years**

(21) Appl. No.: **29/354,940**

(22) Filed: **Jan. 29, 2010**

(51) **LOC (9) Cl.** ..... **28-03**

(52) **U.S. Cl.** ..... **D28/40**

(58) **Field of Classification Search** ..... D28/21-34,  
D28/39-43; 132/101, 126, 128-131, 144,  
132/148, 219, 275-284

See application file for complete search history.

(56) **References Cited**

**U.S. PATENT DOCUMENTS**

D35,463	S	*	12/1901	Allen	.....	D28/32
2,384,013	A	*	9/1945	Caldora	.....	132/157
D147,551	S	*	9/1947	Holden	.....	D28/33
D147,552	S	*	9/1947	Holden	.....	D28/33
2,510,554	A	*	6/1950	Christie	.....	132/101
2,530,612	A	*	11/1950	Hertz	.....	132/136
D188,019	S	*	5/1960	Dorr	.....	D28/22

4,998,186	A	*	3/1991	Cocca	.....	362/103
D334,793	S	*	4/1993	Richardson	.....	D28/41
D402,081	S	*	12/1998	Murphy et al.	.....	D28/32

\* cited by examiner

*Primary Examiner*—Janice E Seeger

*Assistant Examiner*—Zenia I Bennett

(74) *Attorney, Agent, or Firm*—Banger Shia

(57) **CLAIM**

The ornamental design for a hair retainer, as shown.

**DESCRIPTION**

FIG. 1 is a perspective view of a hair retainer showing my new design thereof;

FIG. 2 is a front elevational view thereof;

FIG. 3 is a rear elevational view thereof;

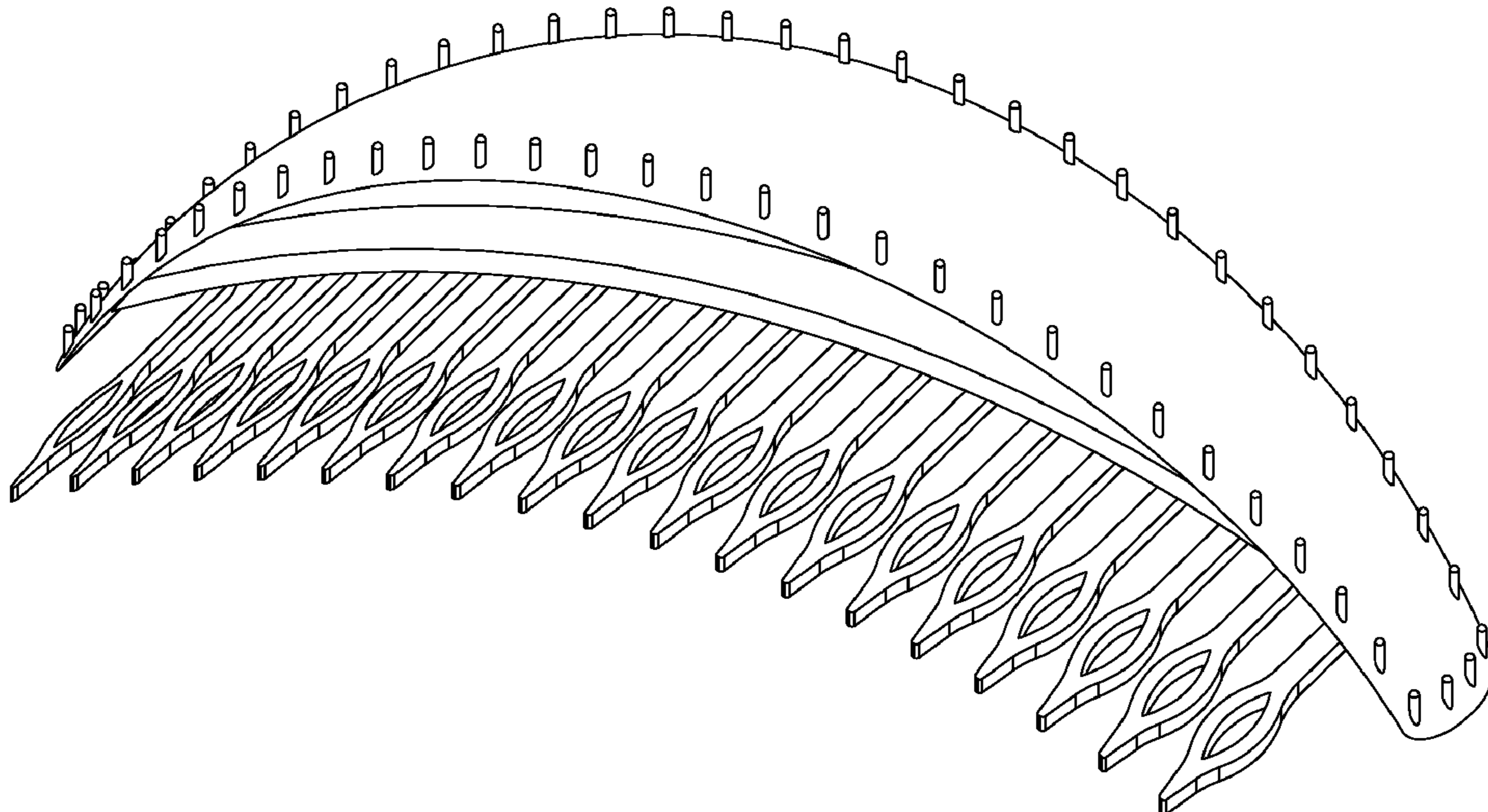
FIG. 4 is a left side elevational view thereof;

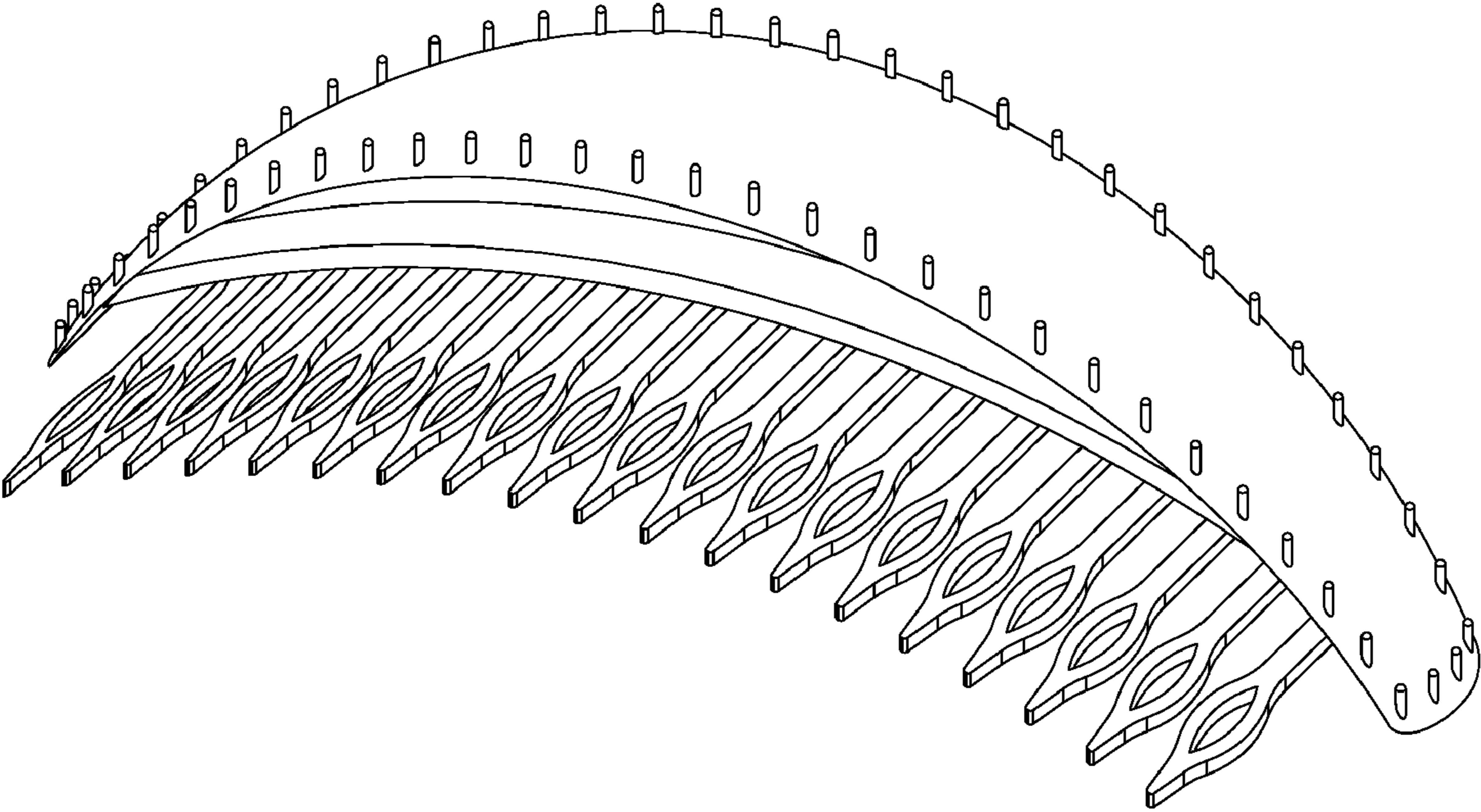
FIG. 5 is a right side elevational view thereof;

FIG. 6 is a top plan view thereof; and,

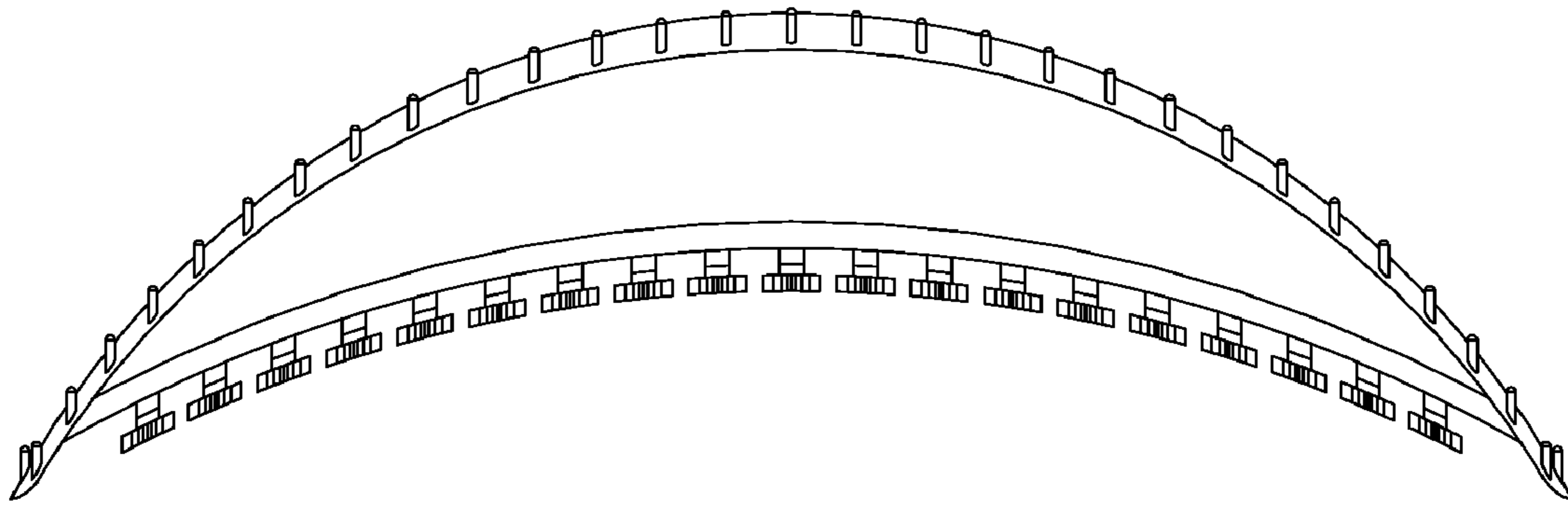
FIG. 7 is a bottom plan view thereof.

**1 Claim, 4 Drawing Sheets**

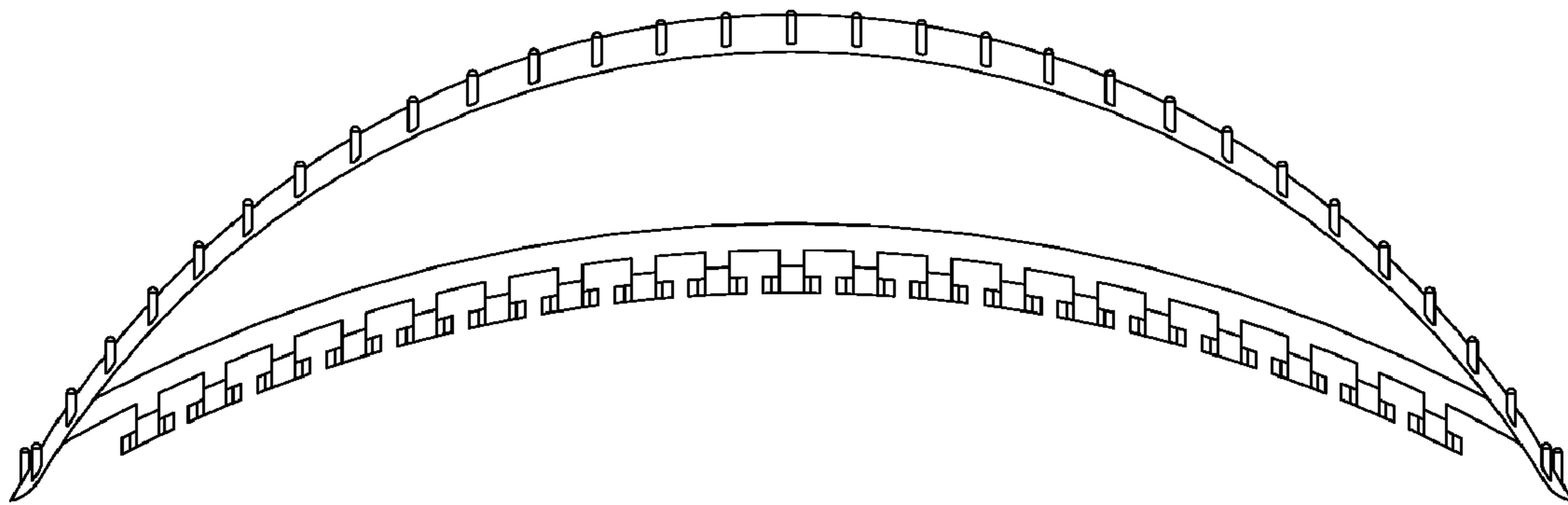




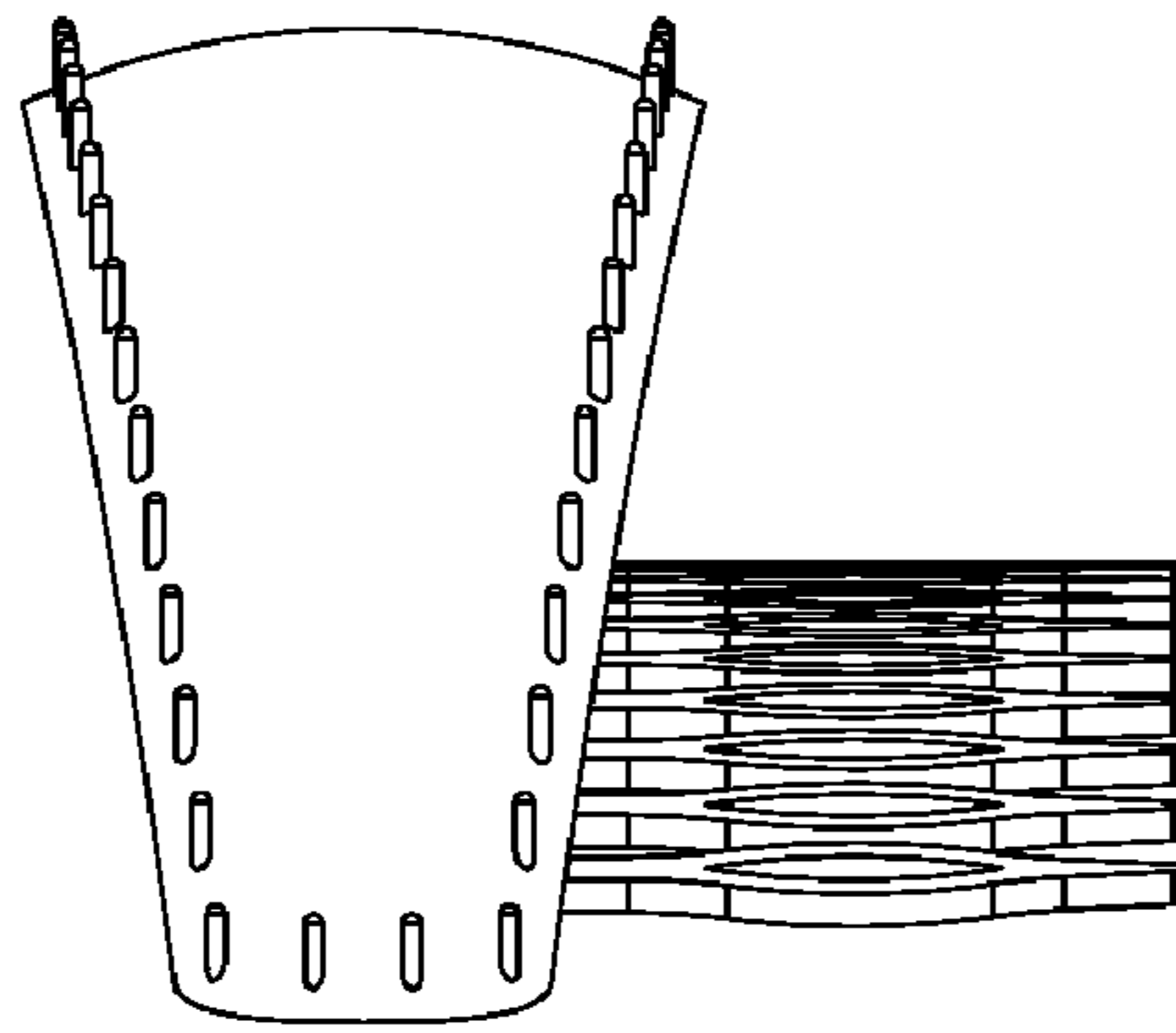
F I G. 1



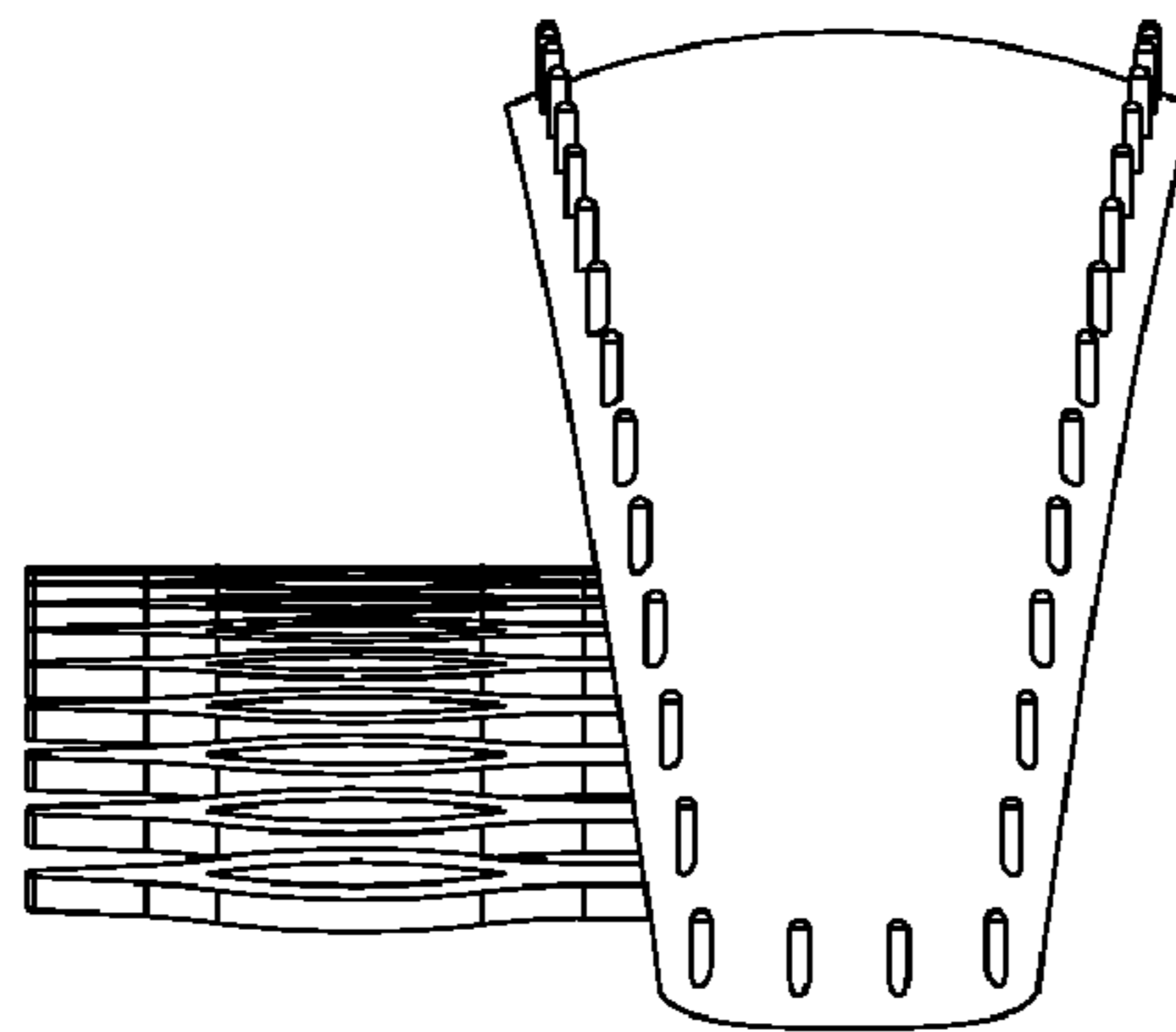
F I G. 2



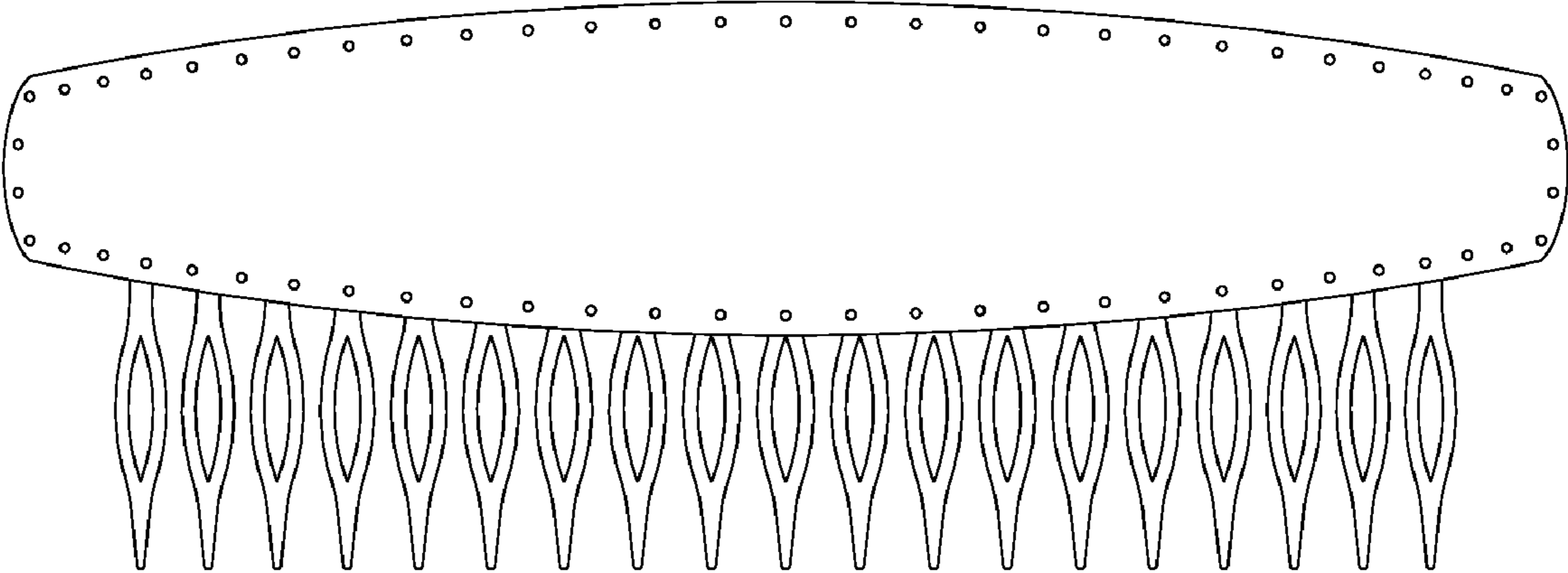
F I G. 3



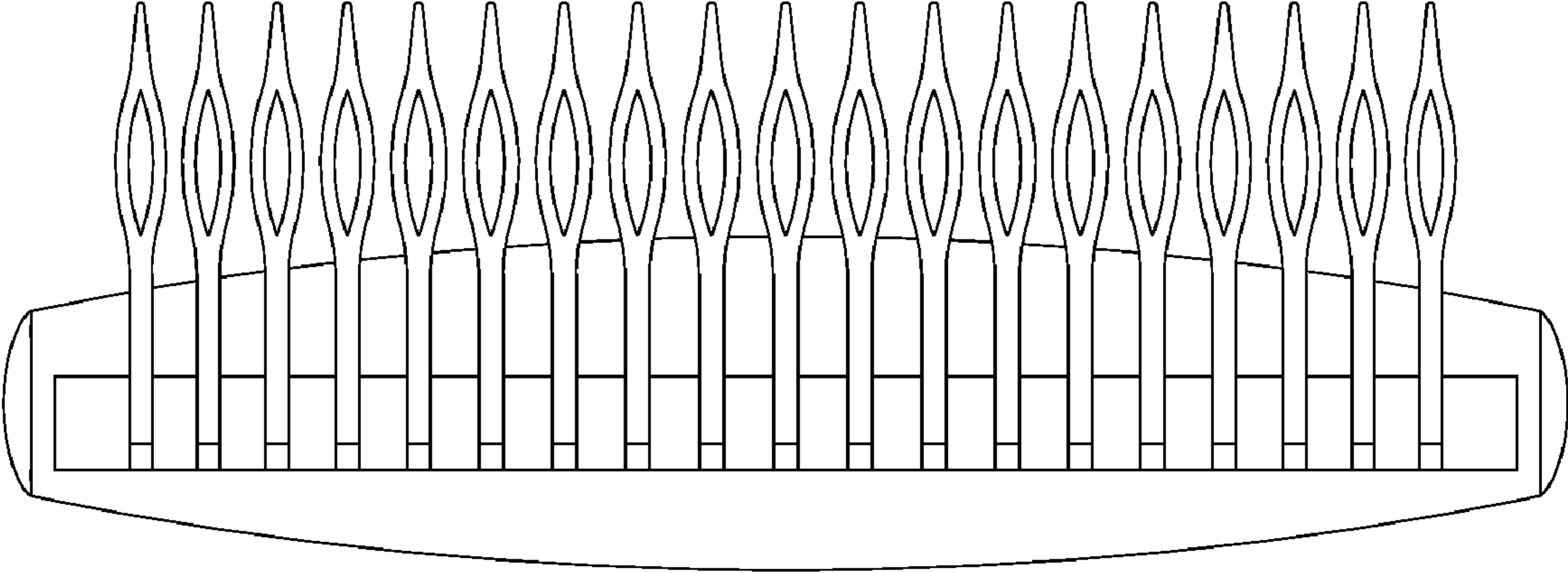
F I G. 4



F I G. 5



F I G. 6



F I G. 7