



US00D615698S

(12) **United States Design Patent**
Weiss

(10) **Patent No.:** **US D615,698 S**

(45) **Date of Patent:** **** May 11, 2010**

(54) **BASE FOR A REPLACEABLE LIGHTING UNIT**

(75) Inventor: **William J. Weiss**, Boca Raton, FL (US)

(73) Assignee: **MSI, LLC**, Deerfield Beach, FL (US)

(**) Term: **14 Years**

(21) Appl. No.: **29/346,618**

(22) Filed: **Nov. 3, 2009**

(51) **LOC (9) Cl.** **26-99**

(52) **U.S. Cl.** **D26/142**

(58) **Field of Classification Search** D26/2,
D26/142, 134, 129, 124, 118, 128, 113, 121,
D26/125, 131, 130, 60, 61, 138, 93, 102,
D26/103, 106, 107, 110, 147, 153, 149, 141,
D26/145, 155, 24, 63, 120, 122, 123, 65,
D26/88; D8/396; 362/294, 98, 641, 257,
362/269, 270, 277, 279, 285, 341, 347, 350,
362/351, 363, 395, 410

See application file for complete search history.

(56) **References Cited**

U.S. PATENT DOCUMENTS

D306,765 S *	3/1990	Pavelin	D26/2
D309,503 S *	7/1990	Benson et al.	D26/2
D327,132 S *	6/1992	Schuster	D26/3
5,757,110 A *	5/1998	Motiduki et al.	313/25
D398,407 S *	9/1998	O'Connell et al.	D26/2
D435,577 S *	12/2000	McBride	D16/203
D470,604 S *	2/2003	Bobel	D26/2
D470,606 S *	2/2003	Bobel	D26/2
D532,532 S *	11/2006	Maxik	D26/2
D544,110 S	6/2007	Hooker et al.		
D547,886 S *	7/2007	Foo	D26/2

D561,917 S	2/2008	Tsao		
D581,555 S *	11/2008	To et al.	D26/2
D593,706 S *	6/2009	Zayas et al.	D26/142
D598,143 S *	8/2009	Gerritsen	D26/2
D601,721 S *	10/2009	Foo	D26/2
D602,178 S *	10/2009	Foo	D26/2

* cited by examiner

Primary Examiner—Cathron C Brooks

Assistant Examiner—Kevin K Rudzinski

(74) *Attorney, Agent, or Firm*—Daniel C. Crilly;
GrayRobinson P.A.

(57) **CLAIM**

The ornamental design for a base for a replaceable lighting unit, as shown and described.

DESCRIPTION

FIG. 1 is a front perspective view of my ornamental design for a base for a replaceable lighting unit.

FIG. 2 is a rear perspective view thereof.

FIG. 3 is a front elevational view thereof.

FIG. 4 is a rear elevational view thereof.

FIG. 5 is a top plan view thereof.

FIG. 6 is a bottom plan view thereof.

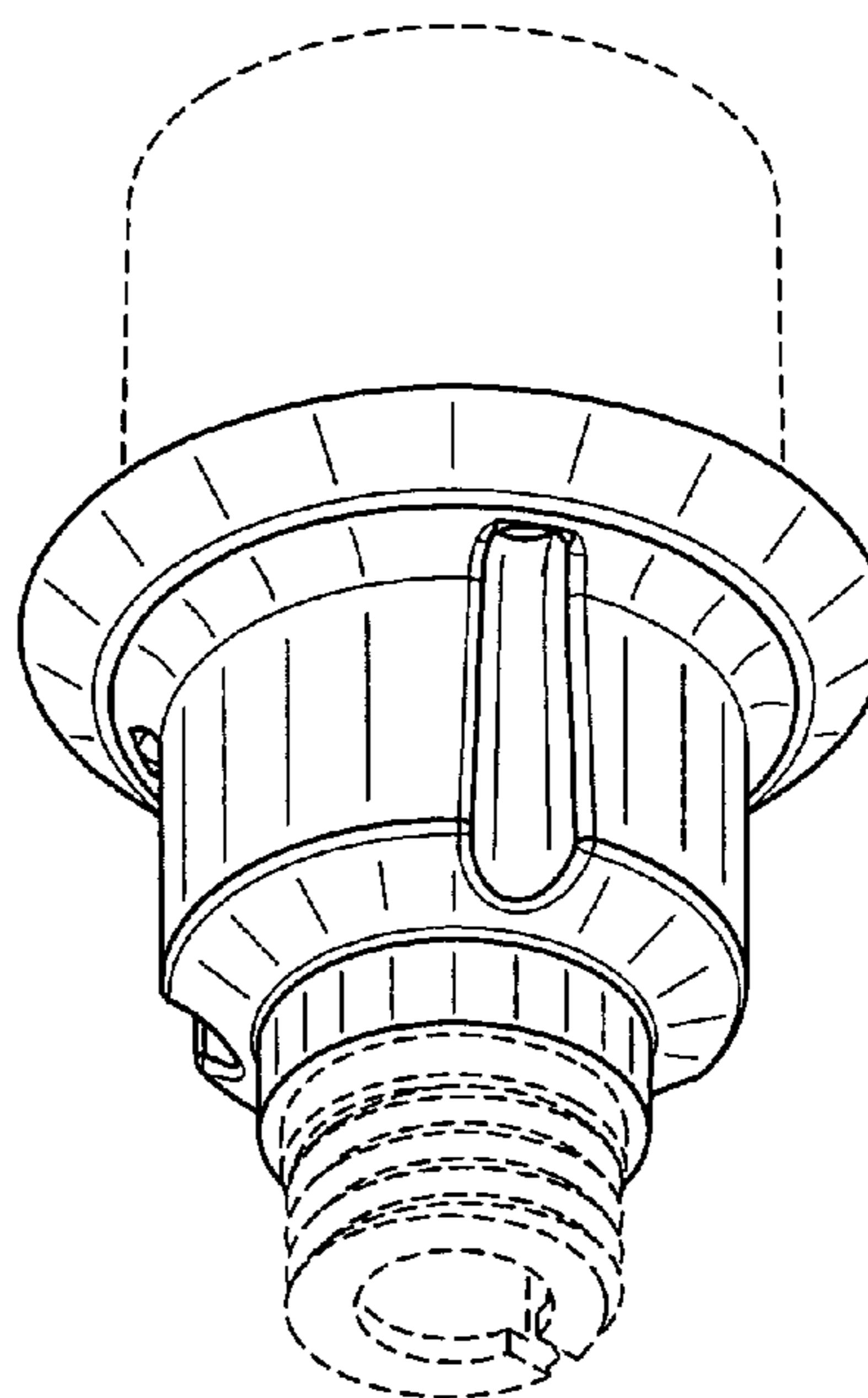
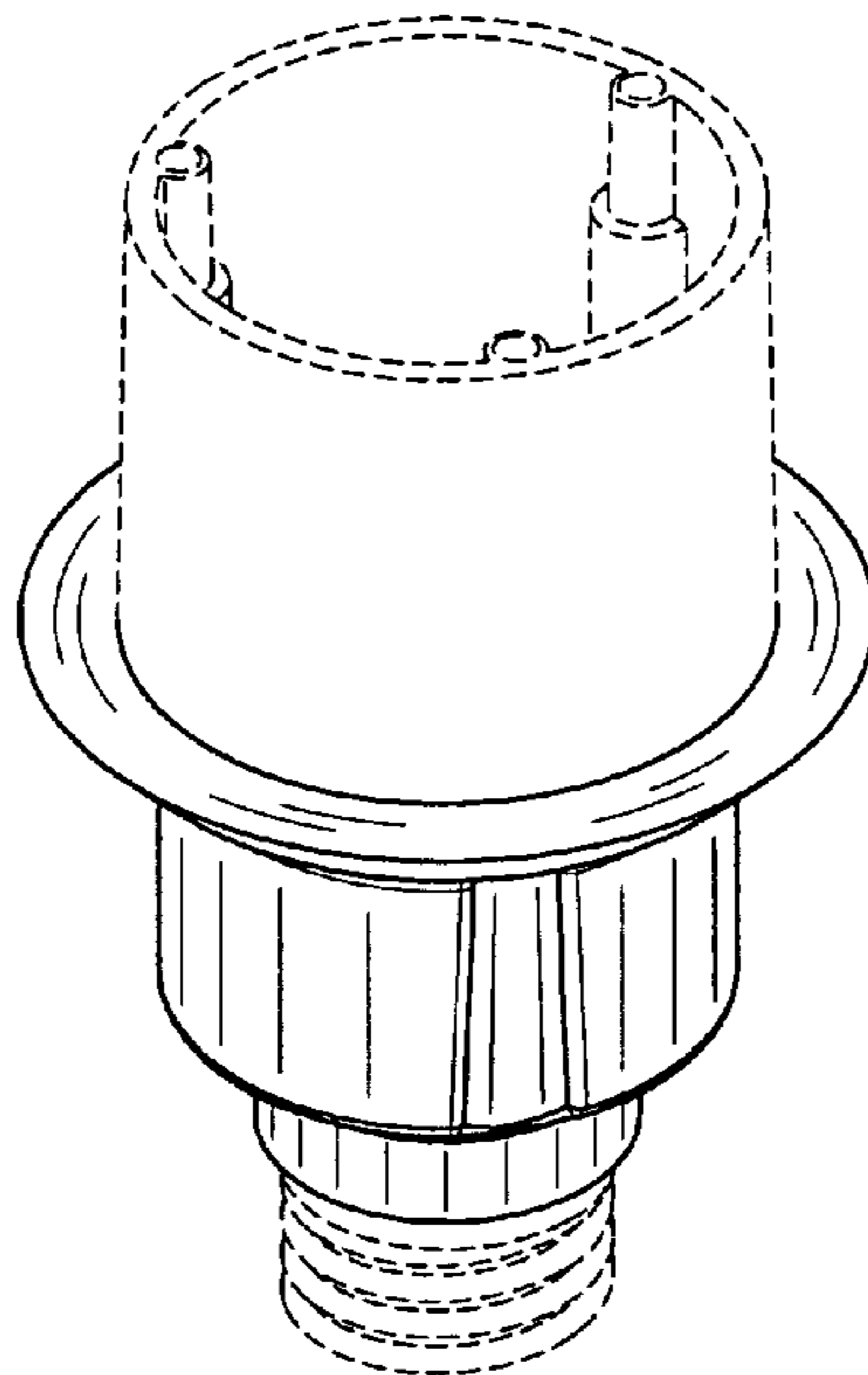
FIG. 7 is a left side elevational view thereof.

FIG. 8 is a right side elevational view thereof; and,

FIG. 9 is a rear, bottom perspective view thereof in a position of use in a replaceable lighting unit.

The structures shown in broken lines in FIGS. 1–9 form no part of the claimed design and are included only to illustrate an environment.

1 Claim, 5 Drawing Sheets



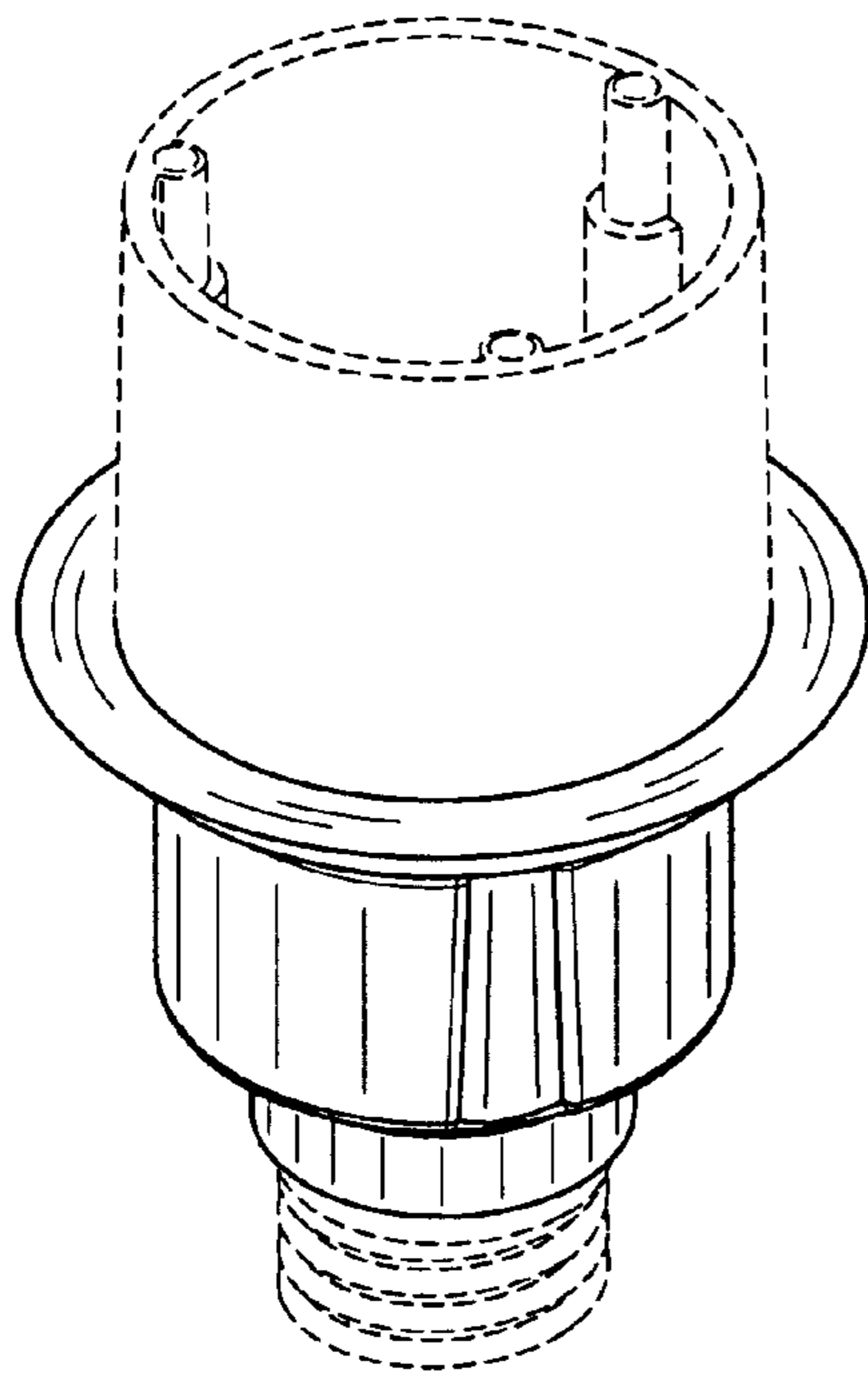


FIG. 1

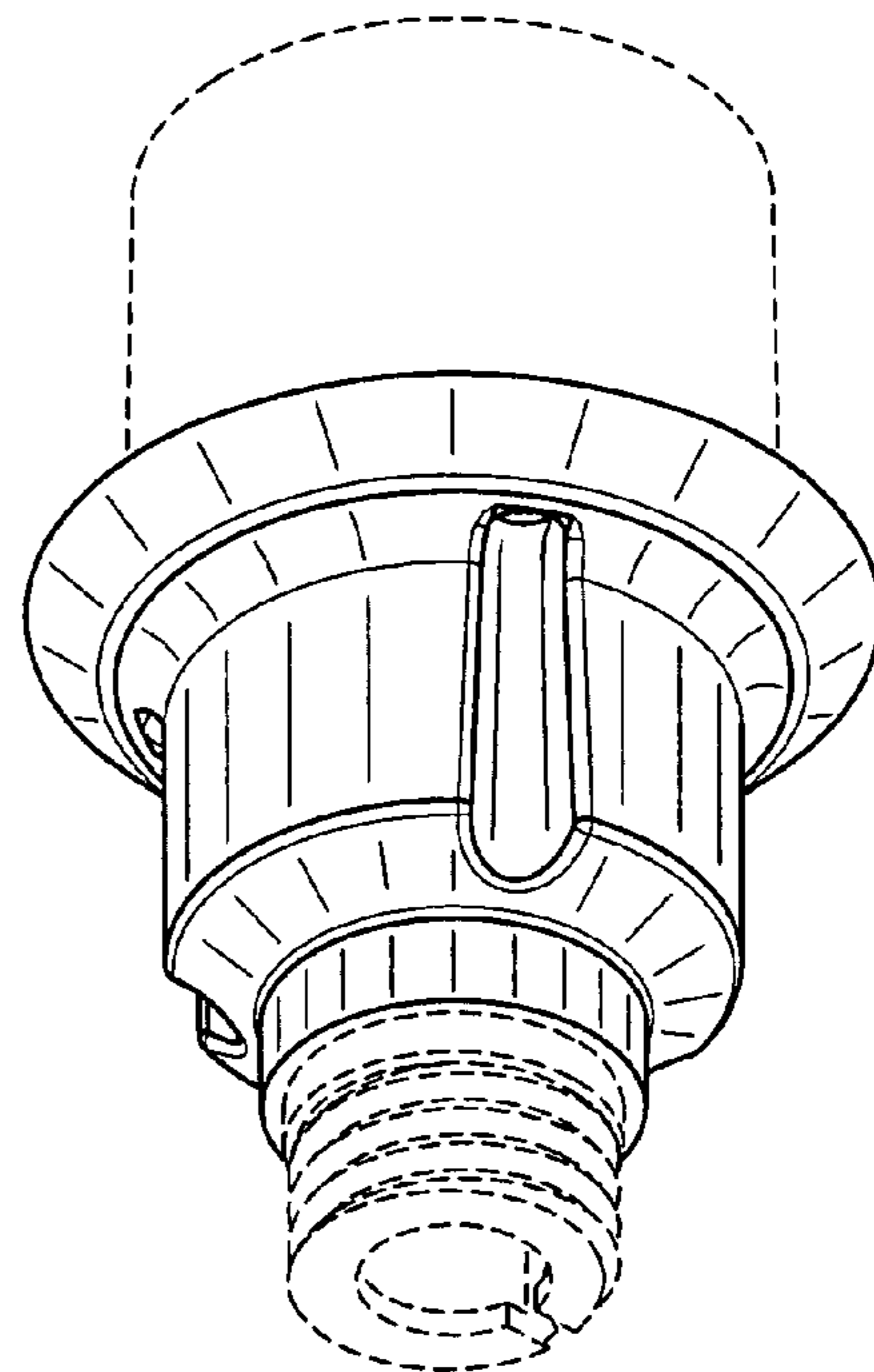


FIG. 2

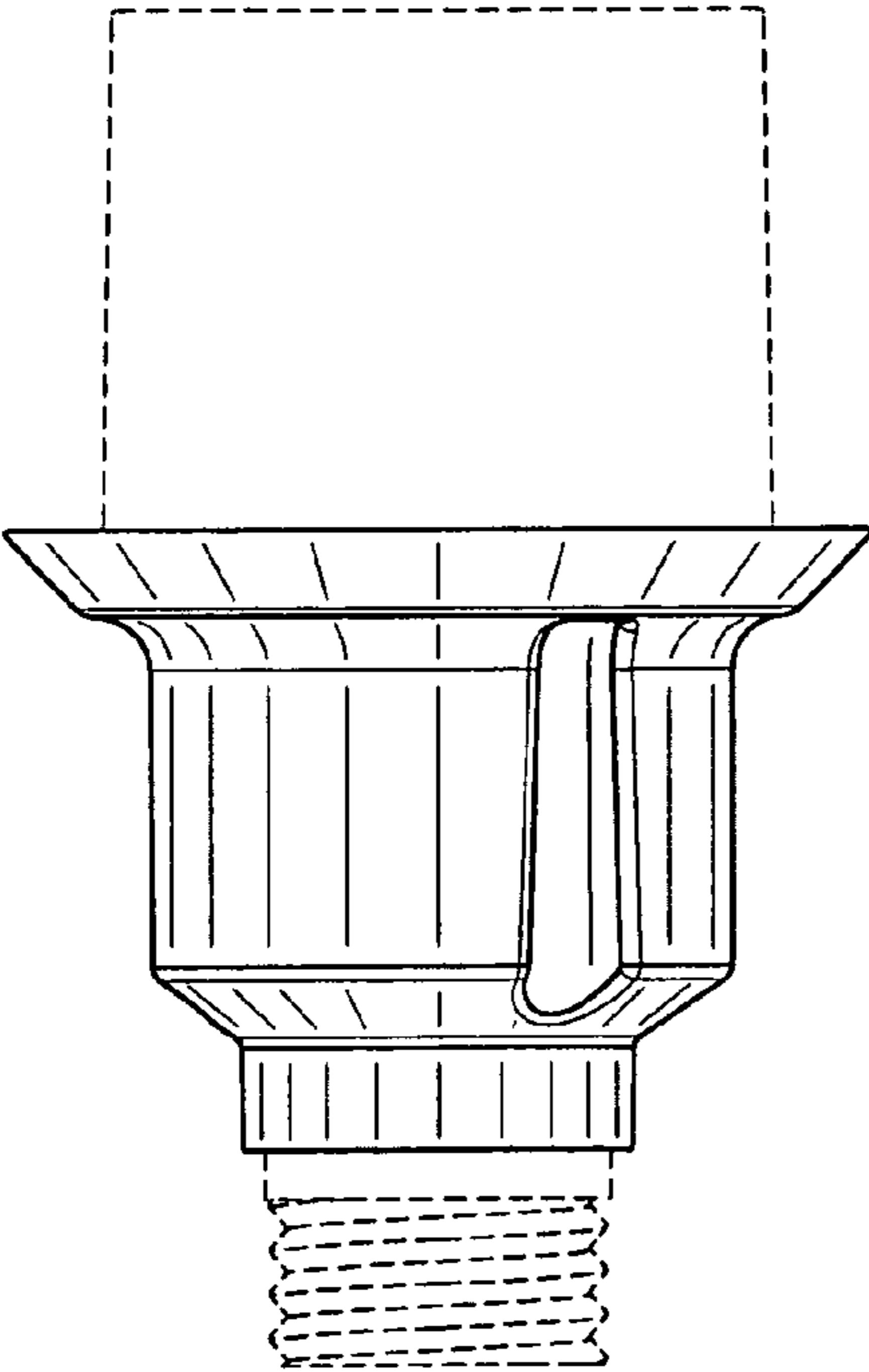


FIG. 3

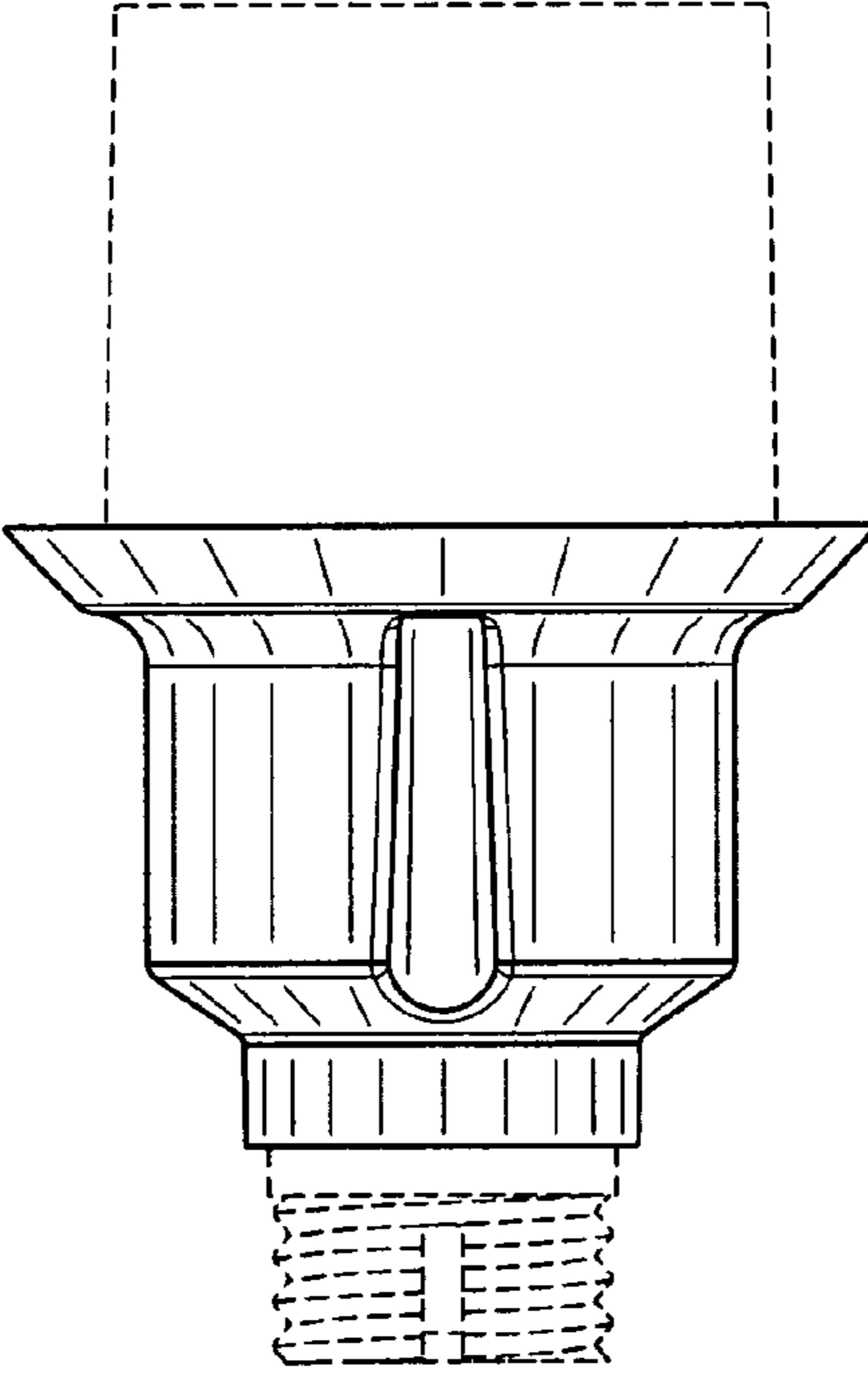


FIG. 4

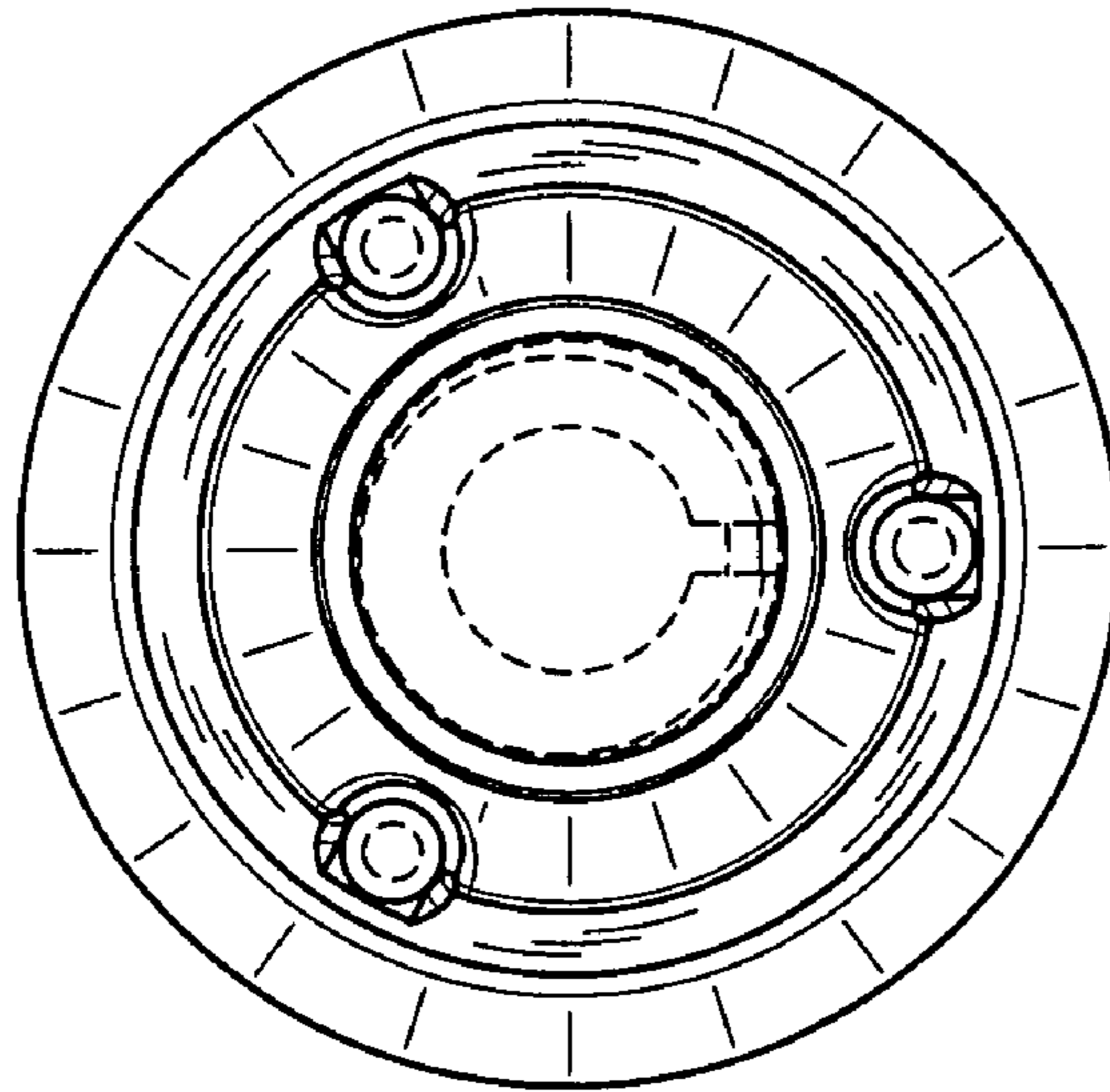


FIG. 5

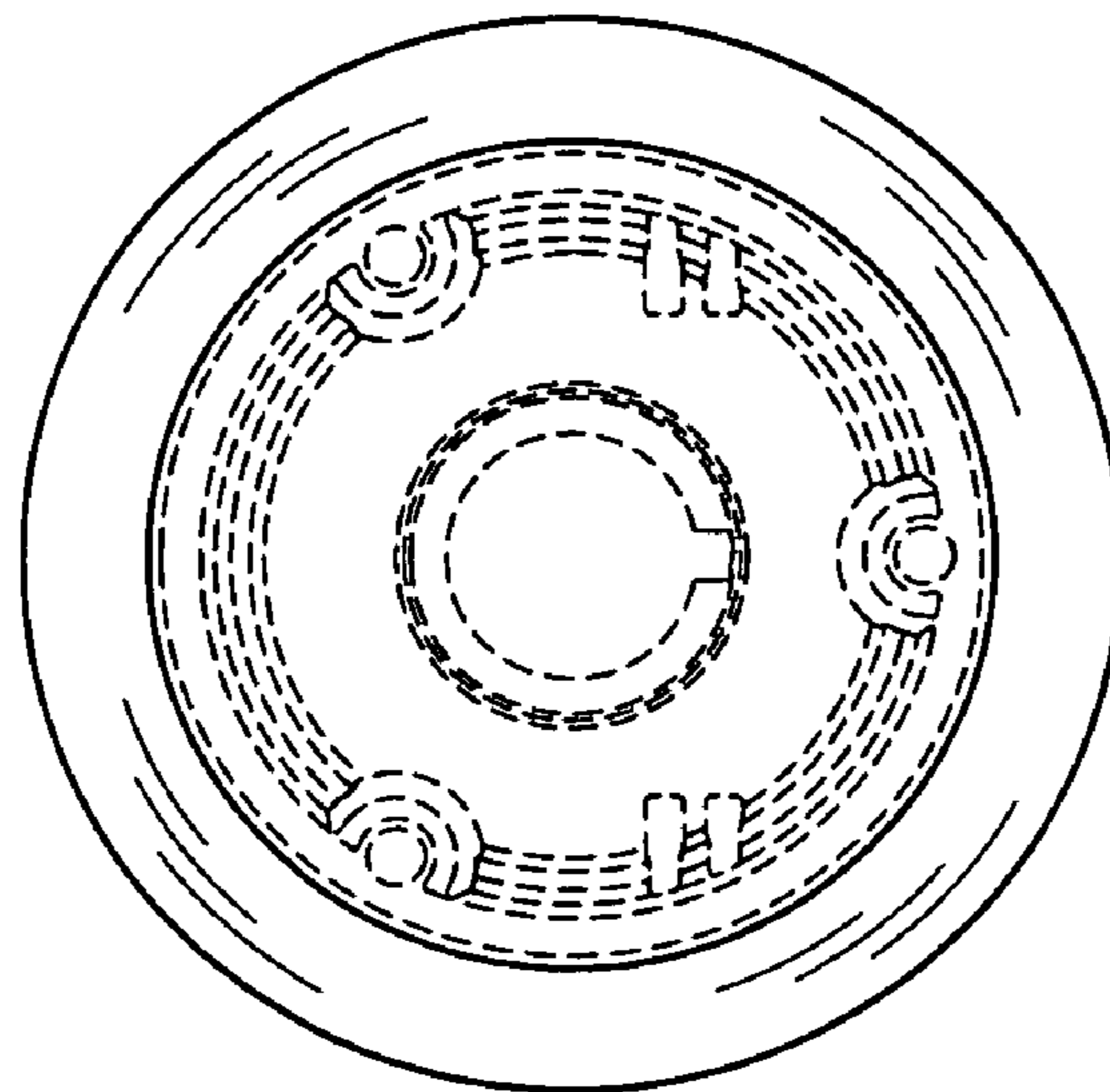


FIG. 6

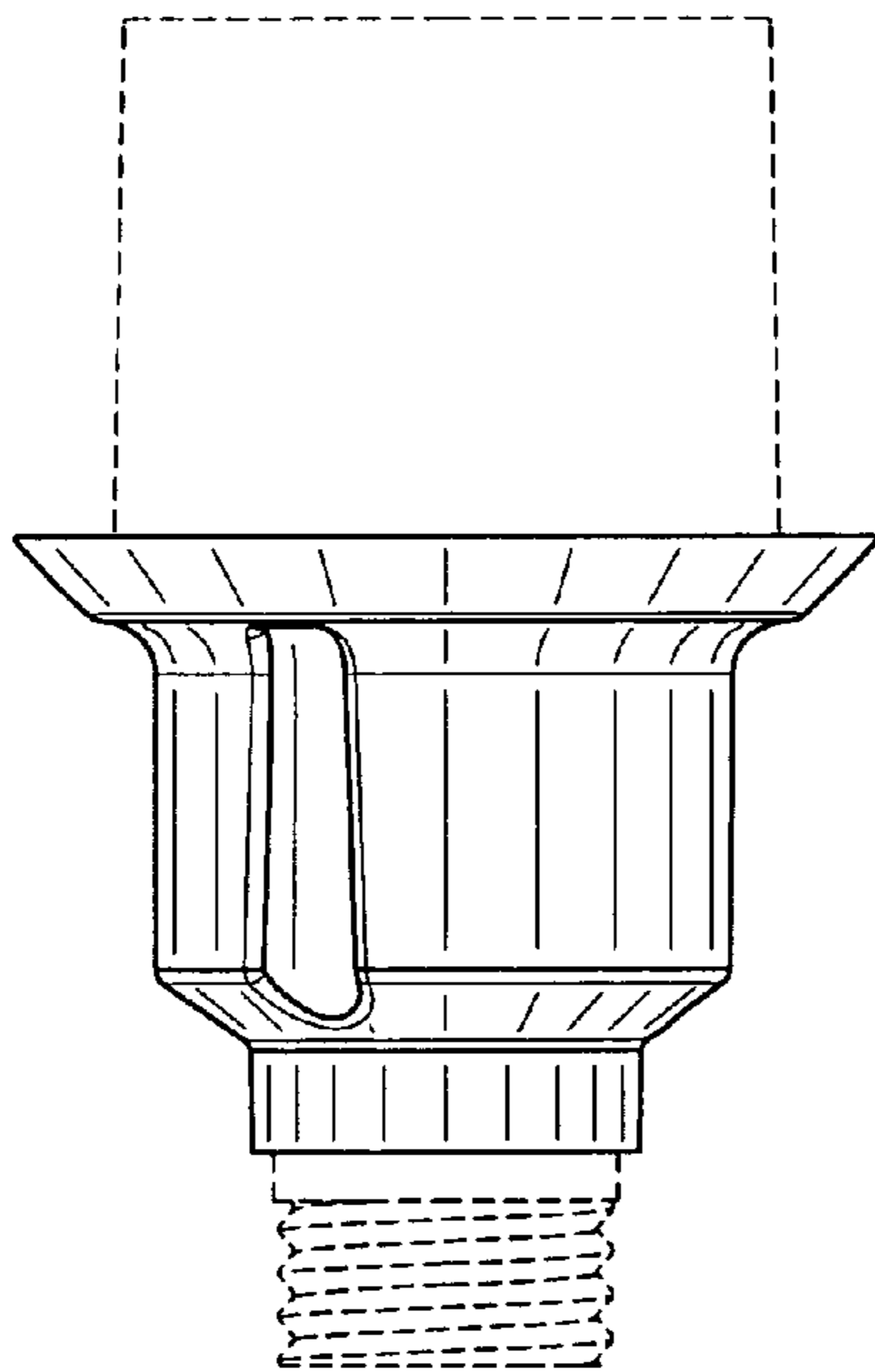


FIG. 7

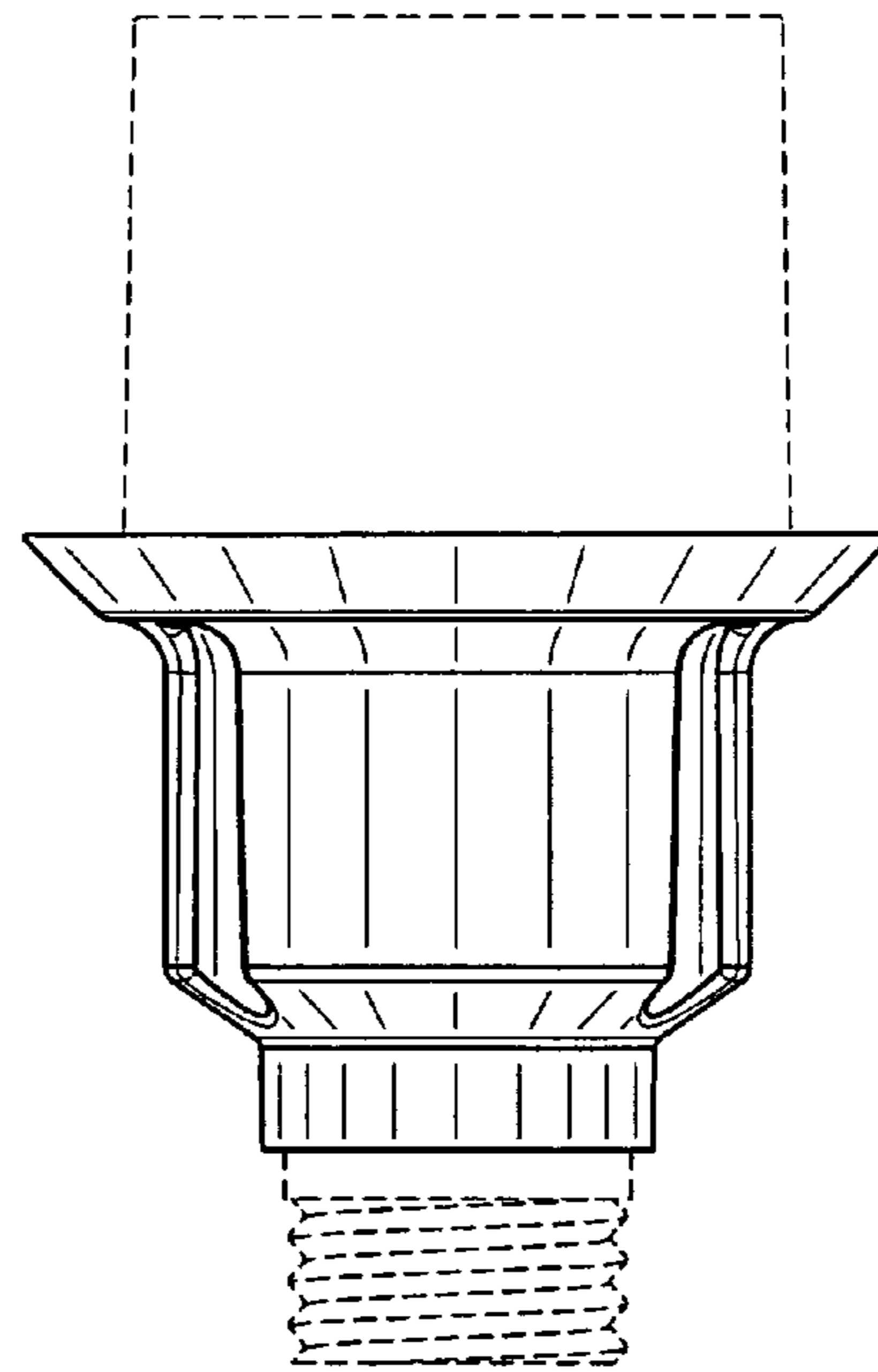


FIG. 8

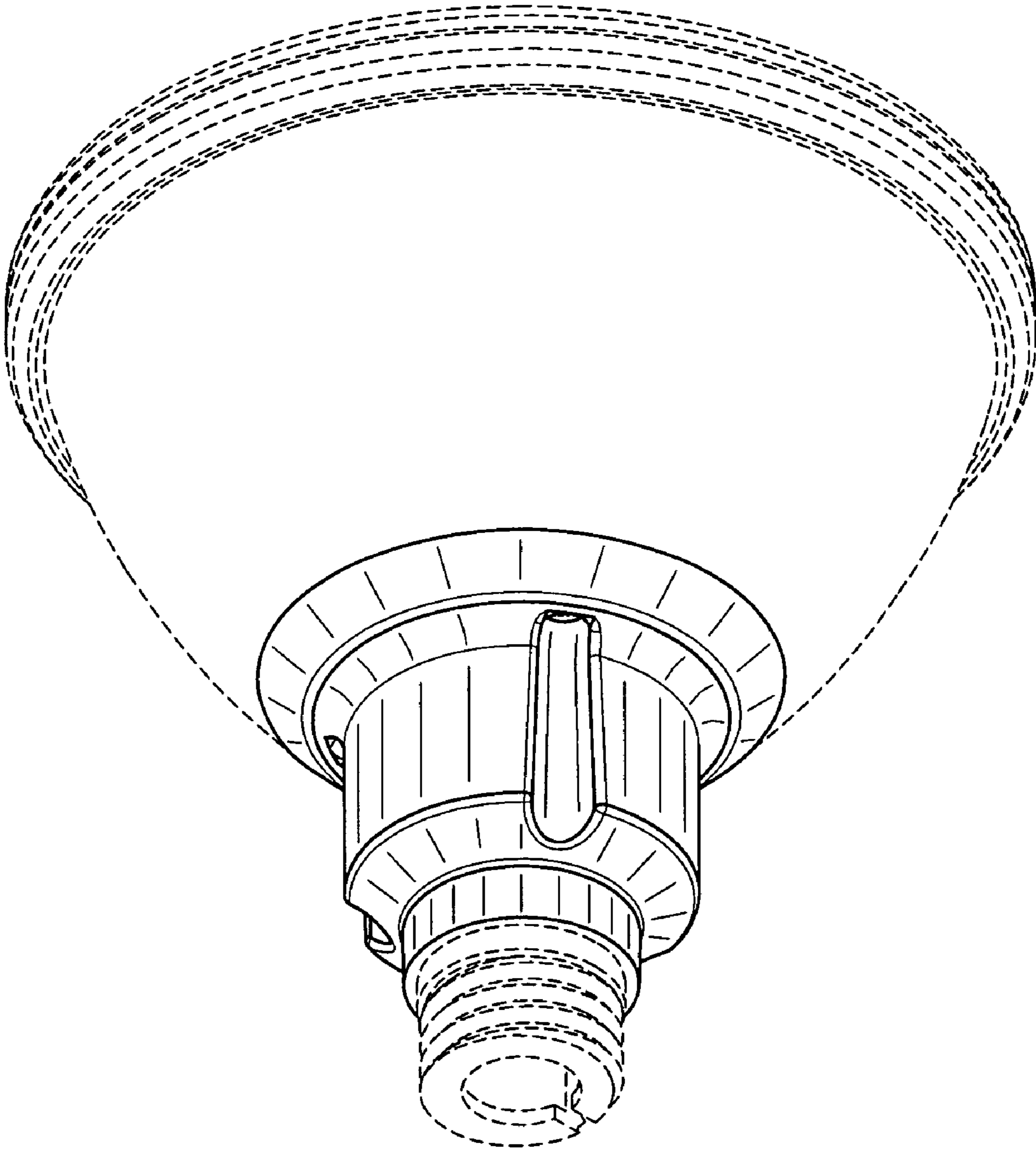


FIG. 9