



US00D615696S

(12) **United States Design Patent**  
**Hecht**

(10) **Patent No.:** **US D615,696 S**  
(45) **Date of Patent:** **\*\* May 11, 2010**

(54) **REFLECTOR**

(75) Inventor: **Harley W. Hecht**, Star, ID (US)

(73) Assignee: **Electronic Controls Company**, Boise, ID (US)

(\*\*) Term: **14 Years**

(21) Appl. No.: **29/303,237**

(22) Filed: **Feb. 4, 2008**

(51) **LOC (9) Cl.** ..... **26-99**

(52) **U.S. Cl.** ..... **D26/122**

(58) **Field of Classification Search** ..... D26/128,  
D26/121, 142, 155, 138, 122, 154, 113, 120,  
D26/134, 118, 74, 88, 80, 87, 90, 60, 61,  
D26/65, 63, 28, 107, 110, 109, 108, 9, 10,  
D26/11, 13, 23, 24, 72, 86, 93, 96, 119, 141,  
D26/143, 148, 149, 152, 153; 362/517, 516,  
362/350, 349, 348, 347, 346, 341, 297, 601,  
362/606, 609, 612, 623, 566, 577, 34, 84,  
362/121, 98, 217.02-217.1, 241, 237, 238,  
362/296.01, 299, 300, 301, 302, 307, 308,  
362/309, 323, 326, 330, 331, 335, 336, 337,  
362/351, 370

See application file for complete search history.

(56) **References Cited**

**U.S. PATENT DOCUMENTS**

4,545,001 A \* 10/1985 English et al. .... 362/340  
4,569,002 A \* 2/1986 English et al. .... 362/453

4,707,767 A \* 11/1987 Bergin et al. .... 362/544  
4,807,094 A \* 2/1989 Mateos et al. .... 362/510  
6,080,464 A \* 6/2000 Gampe et al. .... 428/131  
D469,895 S \* 2/2003 Huang ..... D26/28  
D470,613 S \* 2/2003 Huang ..... D26/28  
D474,303 S \* 5/2003 Huang ..... D26/123  
6,705,746 B2 \* 3/2004 Perlo et al. .... 362/290  
D495,821 S \* 9/2004 Huang ..... D26/123  
2005/0254254 A1 \* 11/2005 Moseler et al. .... 362/520

\* cited by examiner

*Primary Examiner*—Cathron C Brooks  
*Assistant Examiner*—Kevin K Rudzinski

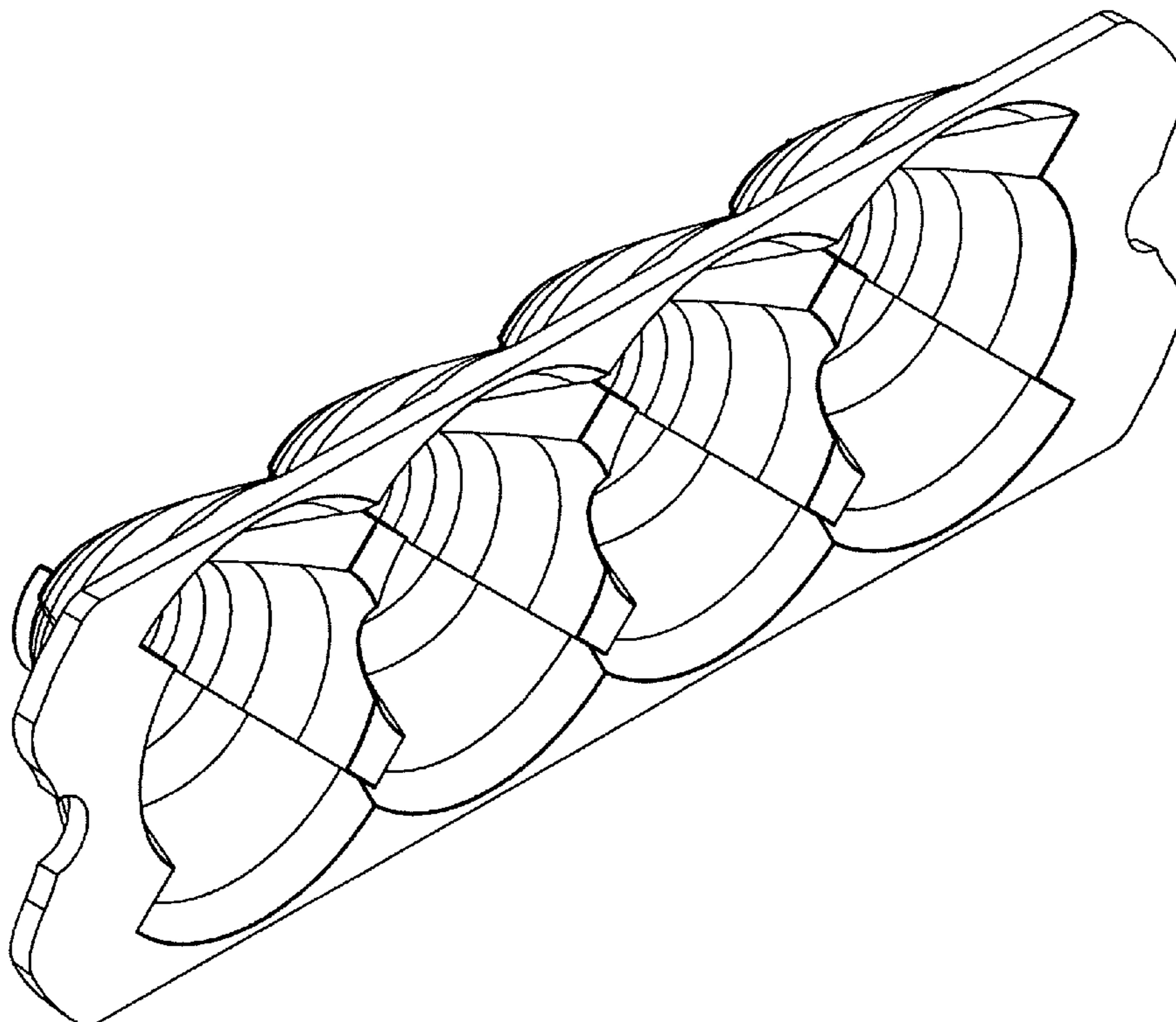
(57) **CLAIM**

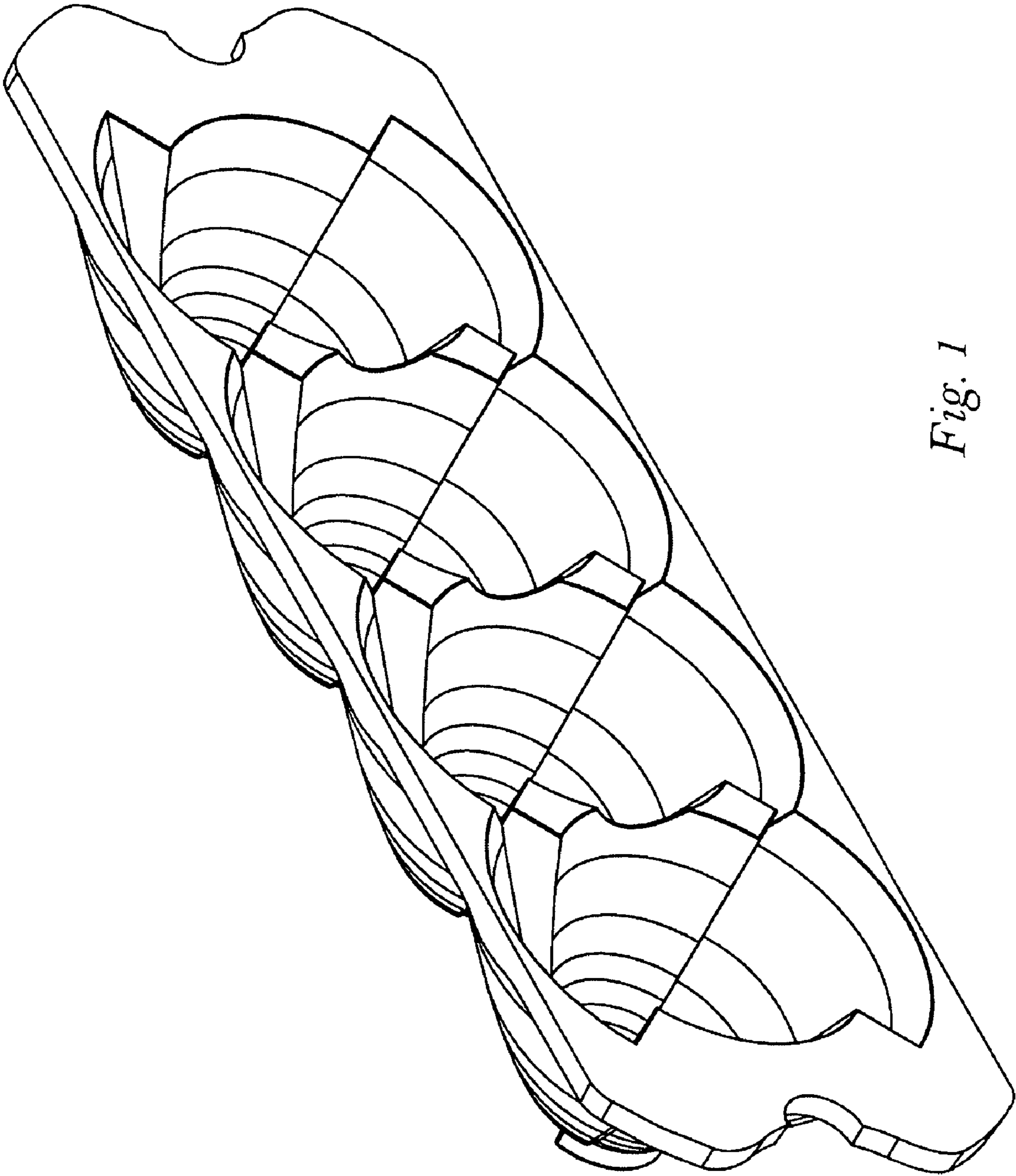
The ornamental design for a reflector, as shown and described.

**DESCRIPTION**

FIG. 1 is an enlarged perspective view of a reflector showing our new design;  
FIG. 2 is a first side view thereof;  
FIG. 3 is a top view thereof;  
FIG. 4 is a first end view thereof;  
FIG. 5 is a second end view thereof;  
FIG. 6 is a second side view thereof; and,  
FIG. 7 is a bottom view thereof.

**1 Claim, 3 Drawing Sheets**





*Fig. 1*

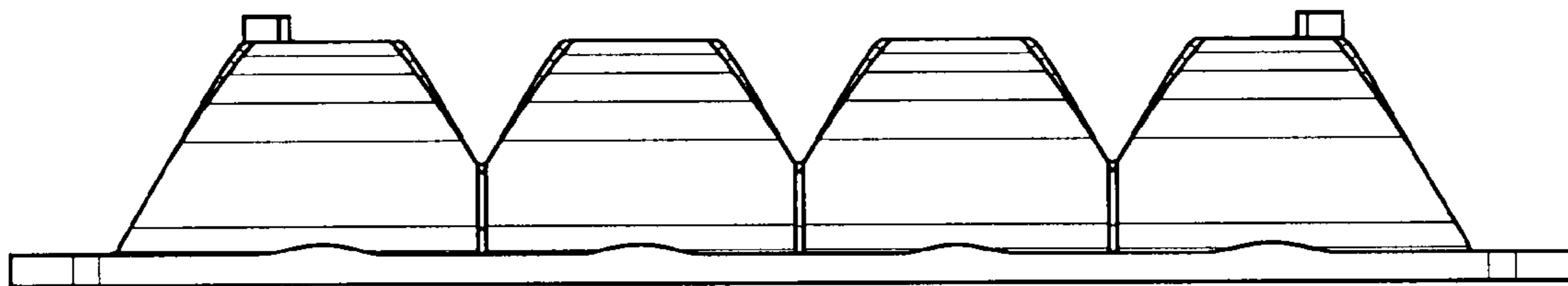


FIG. 2

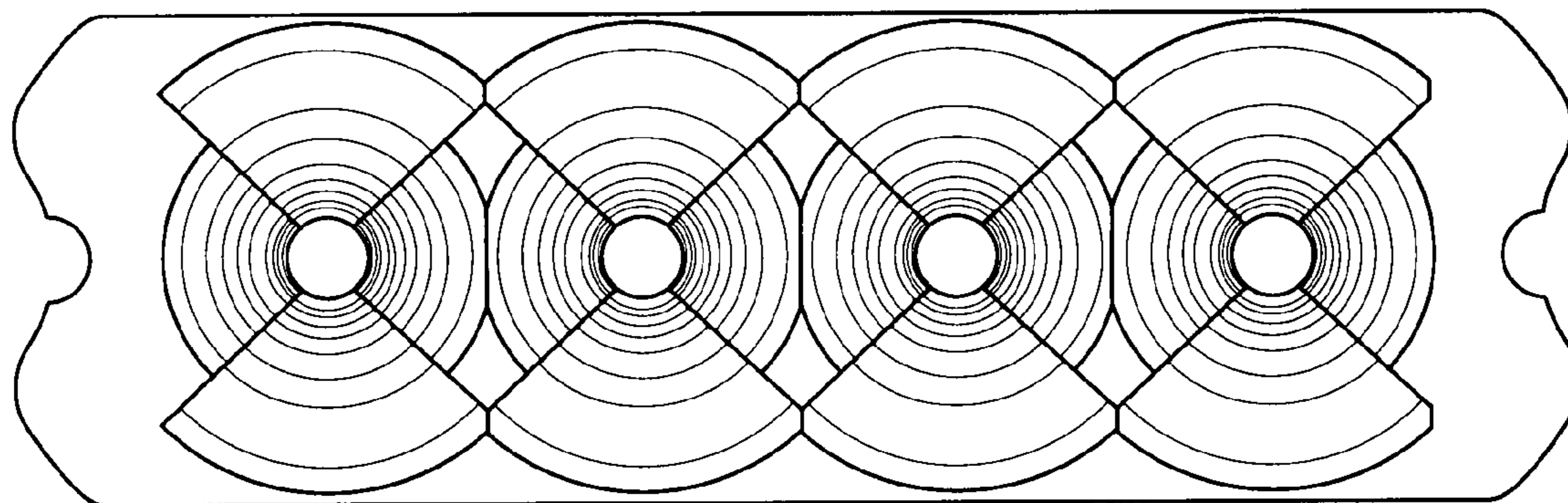


FIG. 3

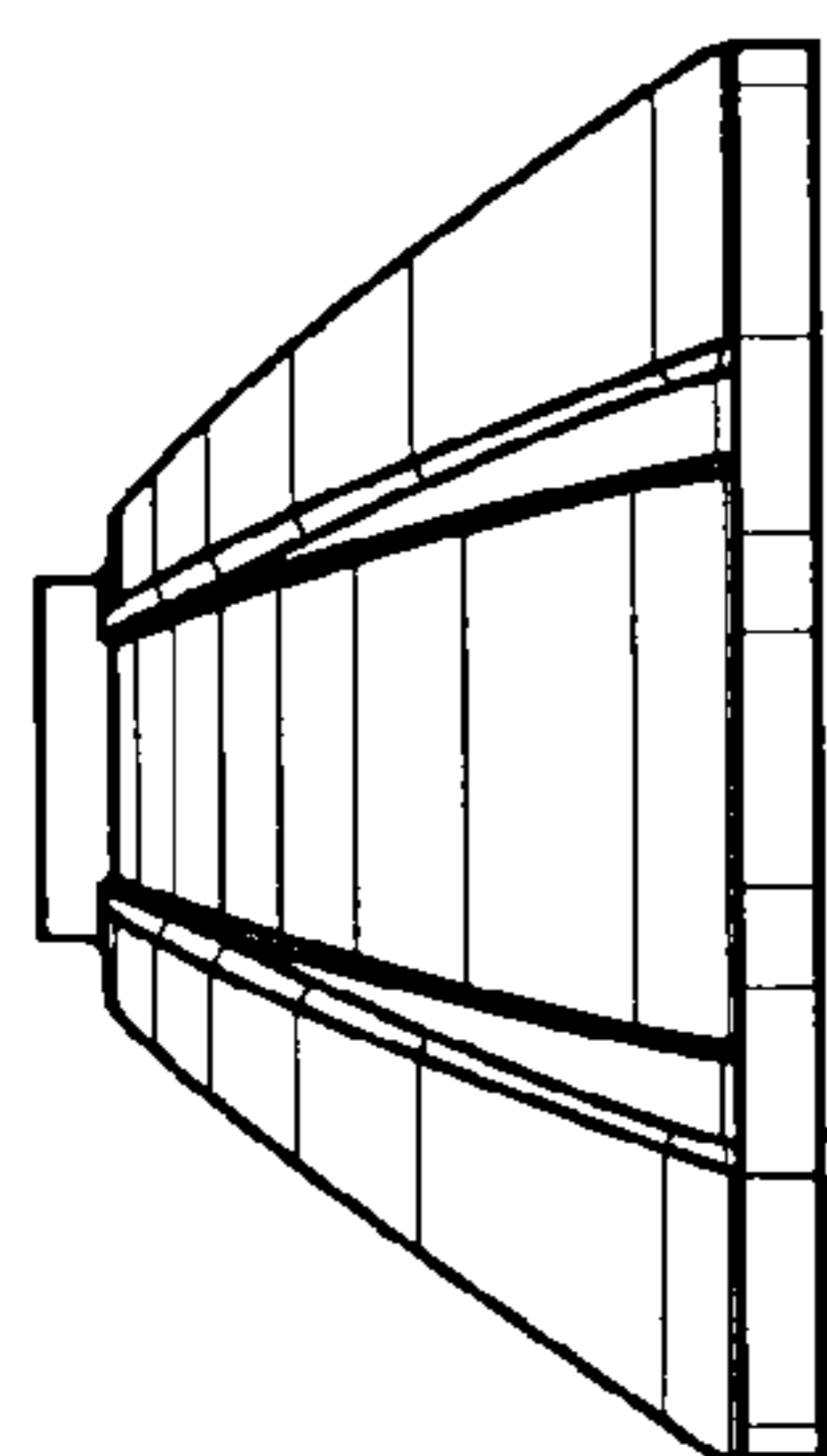


FIG. 4

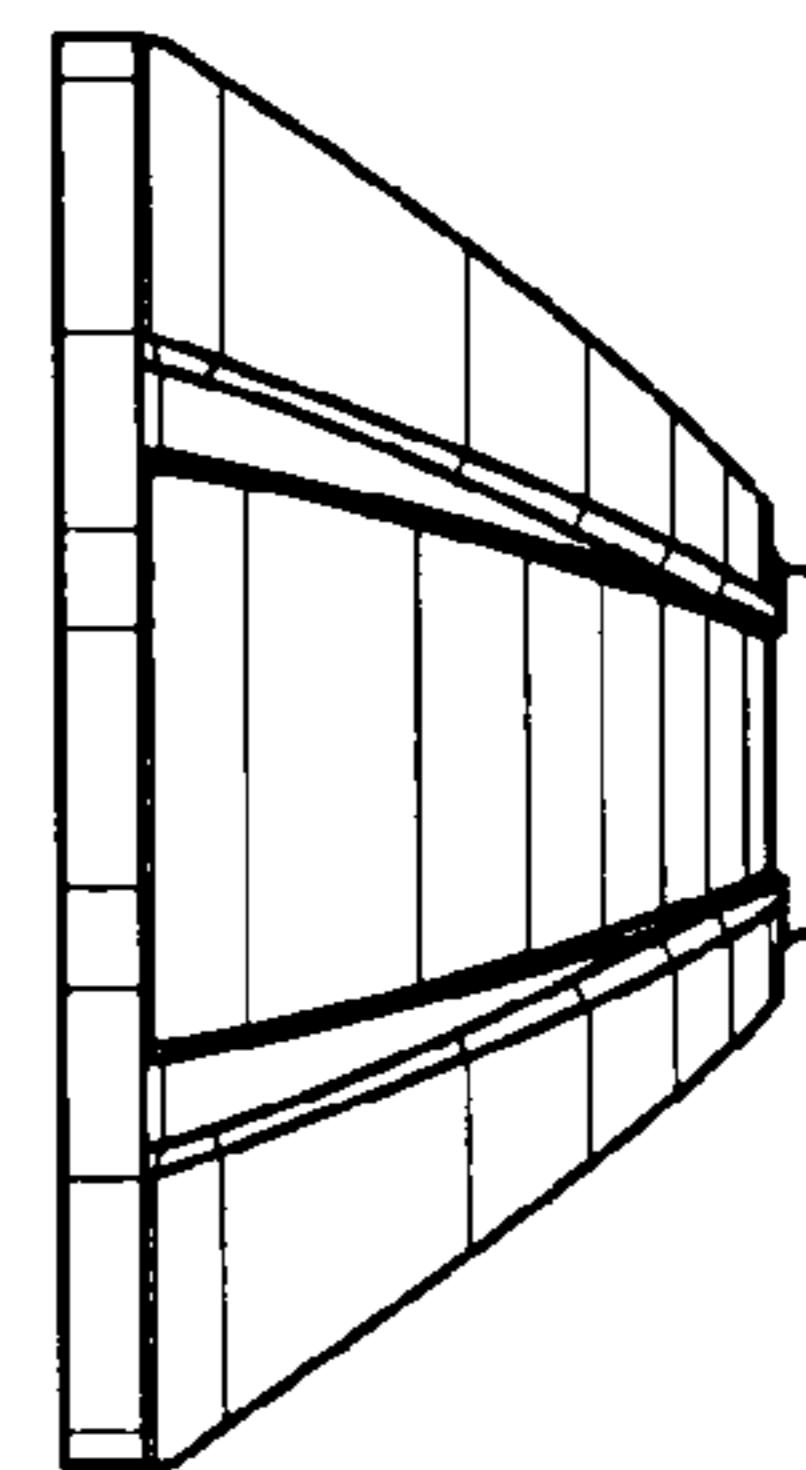


FIG. 5

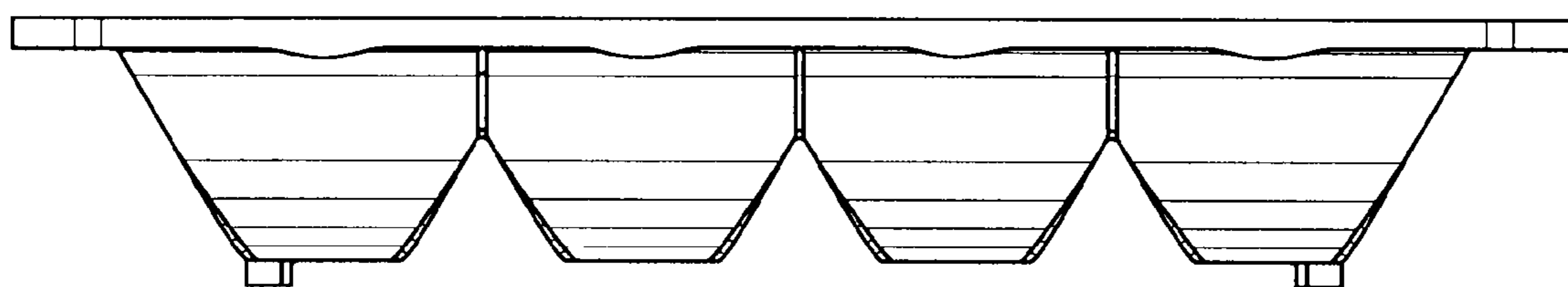


FIG. 6

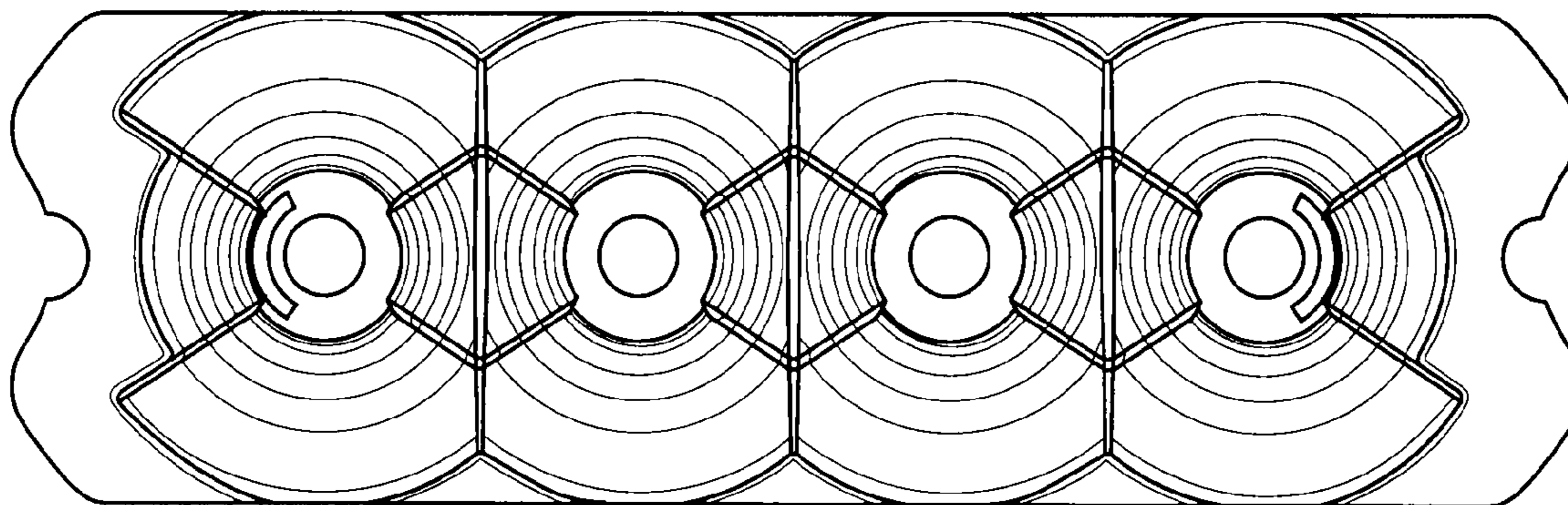


FIG. 7