



US00D615695S

(12) **United States Design Patent**
Boissevain

(10) **Patent No.:** **US D615,695 S**

(45) **Date of Patent:** **** *May 11, 2010**

(54) **LUMINAIRE FACE PLATE**

(75) Inventor: **Chris Boissevain**, Wimberley, TX (US)

(73) Assignee: **Koninklijke Philips Electronics, N.V.**,
Eindhoven (NL)

(*) Notice: This patent is subject to a terminal disclaimer.

(**) Term: **14 Years**

(21) Appl. No.: **29/337,425**

(22) Filed: **May 21, 2009**

(51) **LOC (9) Cl.** **26-99**

(52) **U.S. Cl.** **D26/118**

(58) **Field of Classification Search** D26/85,
D26/118, 128, 142, 72, 73, 113, 120, 122,
D26/129, 130, 131, 138, 26, 61, 62, 74, 77,
D26/88, 90, 103, 104, 121, 123, 124, 132,
D26/134, 137; 362/147, 151, 644, 323, 347,
362/351, 358, 362, 364, 404

See application file for complete search history.

(56) **References Cited**

U.S. PATENT DOCUMENTS

D80,735	S	*	3/1930	Lazerson	D26/85
2,117,890	A	*	5/1938	Johnson	362/358
2,321,288	A	*	6/1943	Finkel	362/358
D183,152	S	*	7/1958	Wellhofer	D10/118
D240,852	S	*	8/1976	Jacobsen	D26/86
D254,809	S	*	4/1980	Celestian	D25/57
D285,489	S	*	9/1986	Russell	D26/86
D309,792	S	*	8/1990	Mangiarotti	D26/85
D399,014	S	*	9/1998	Emmerling	D26/26
D403,457	S	*	12/1998	Walz	D26/85
D454,971	S	*	3/2002	Crosby	D26/85

D469,910	S	*	2/2003	St-Pierre	D26/85
6,959,510	B1	*	11/2005	Nelson et al.	43/113
D548,872	S	*	8/2007	Dubbeldam et al.	D26/85
D549,868	S	*	8/2007	Deron	D26/128
D561,257	S	*	2/2008	Frey	D20/10
D594,151	S	*	6/2009	Thomas	D26/118

* cited by examiner

Primary Examiner—Cathron C Brooks

Assistant Examiner—Kevin K Rudzinski

(74) *Attorney, Agent, or Firm*—John Salazar; Scott Higdon;
Middleton Reutlinger

(57) **CLAIM**

The ornamental design for a luminaire face plate, as shown and described.

DESCRIPTION

FIG. 1 is a left front top perspective view of the luminaire face plate of the present invention;

FIG. 2 is a front bottom perspective view of the luminaire face plate of FIG. 1;

FIG. 3 is a right top rear perspective view of the luminaire face plate of FIG. 1;

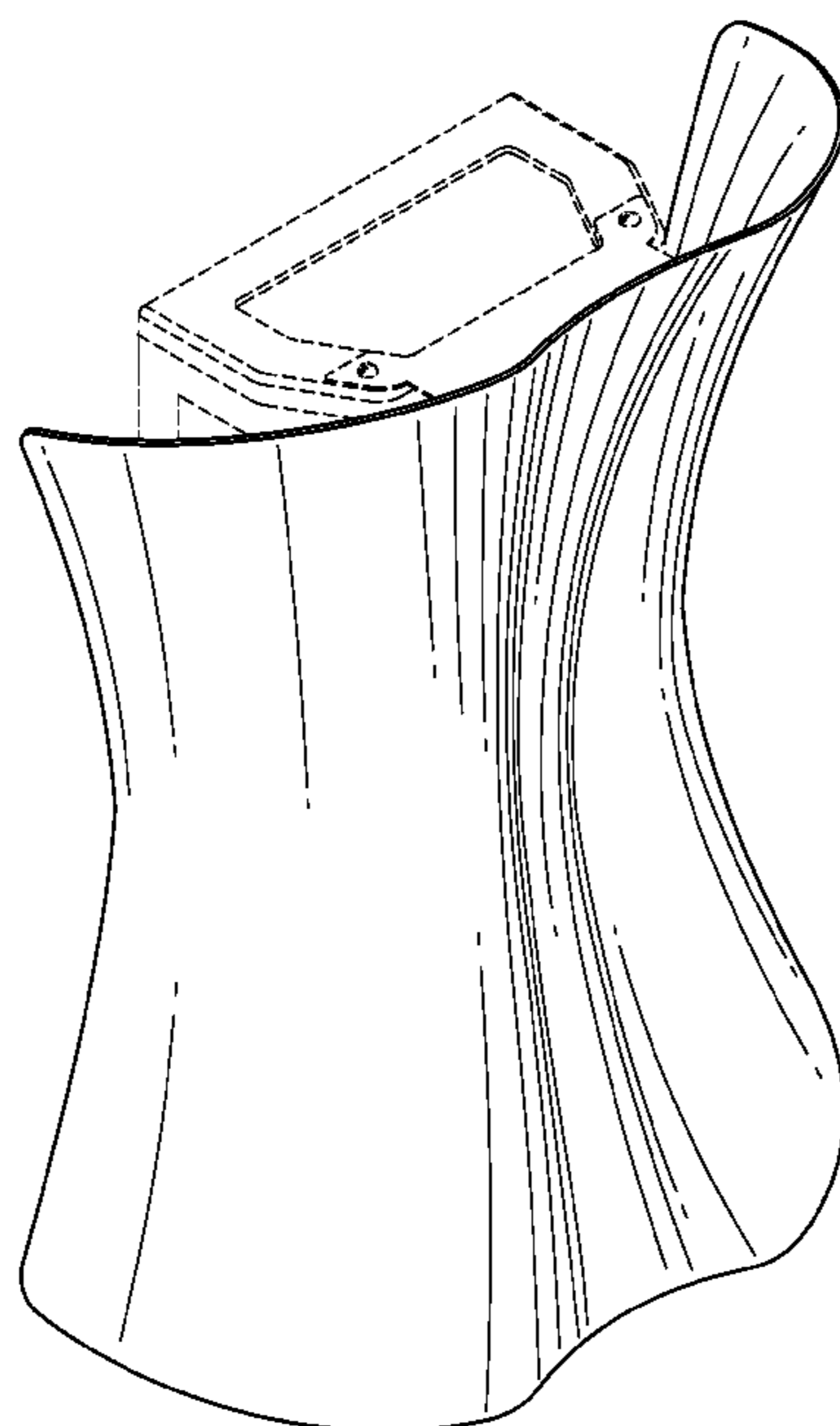
FIG. 4 is a front view of the luminaire face plate of FIG. 1;

FIG. 5 is a left side view of the luminaire face plate of FIG. 1, the right side view being a mirror image thereof; and,

FIG. 6 is a top view of the luminaire face plate of FIG. 1, the bottom view being a mirror image thereof.

The broken lines showing environmental structure are for illustrative purposes only and form no part of the claimed design. The rear portions of the luminaire face plate not shown in the drawings form no part of the claimed design.

1 Claim, 6 Drawing Sheets



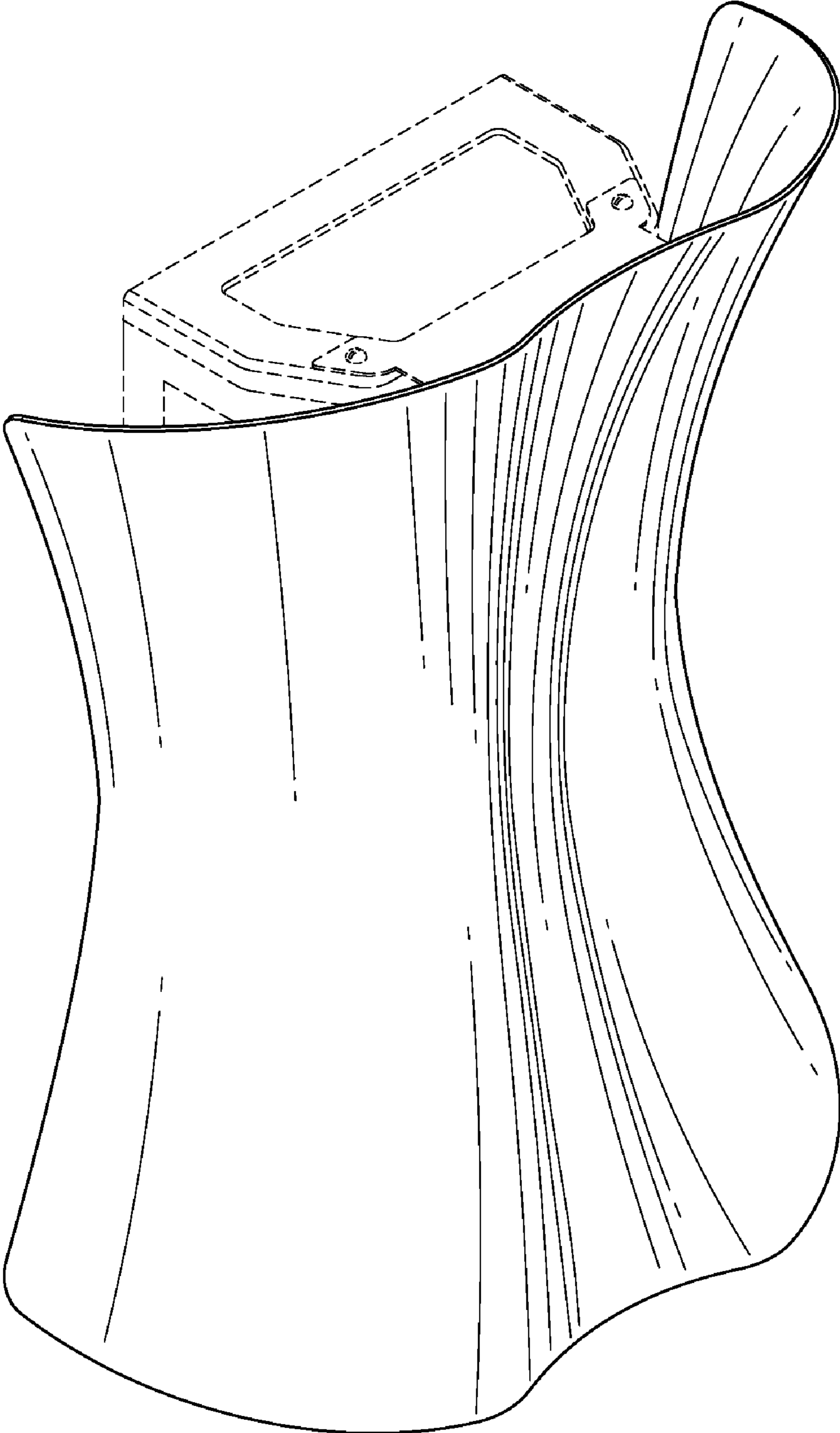


FIG. 1

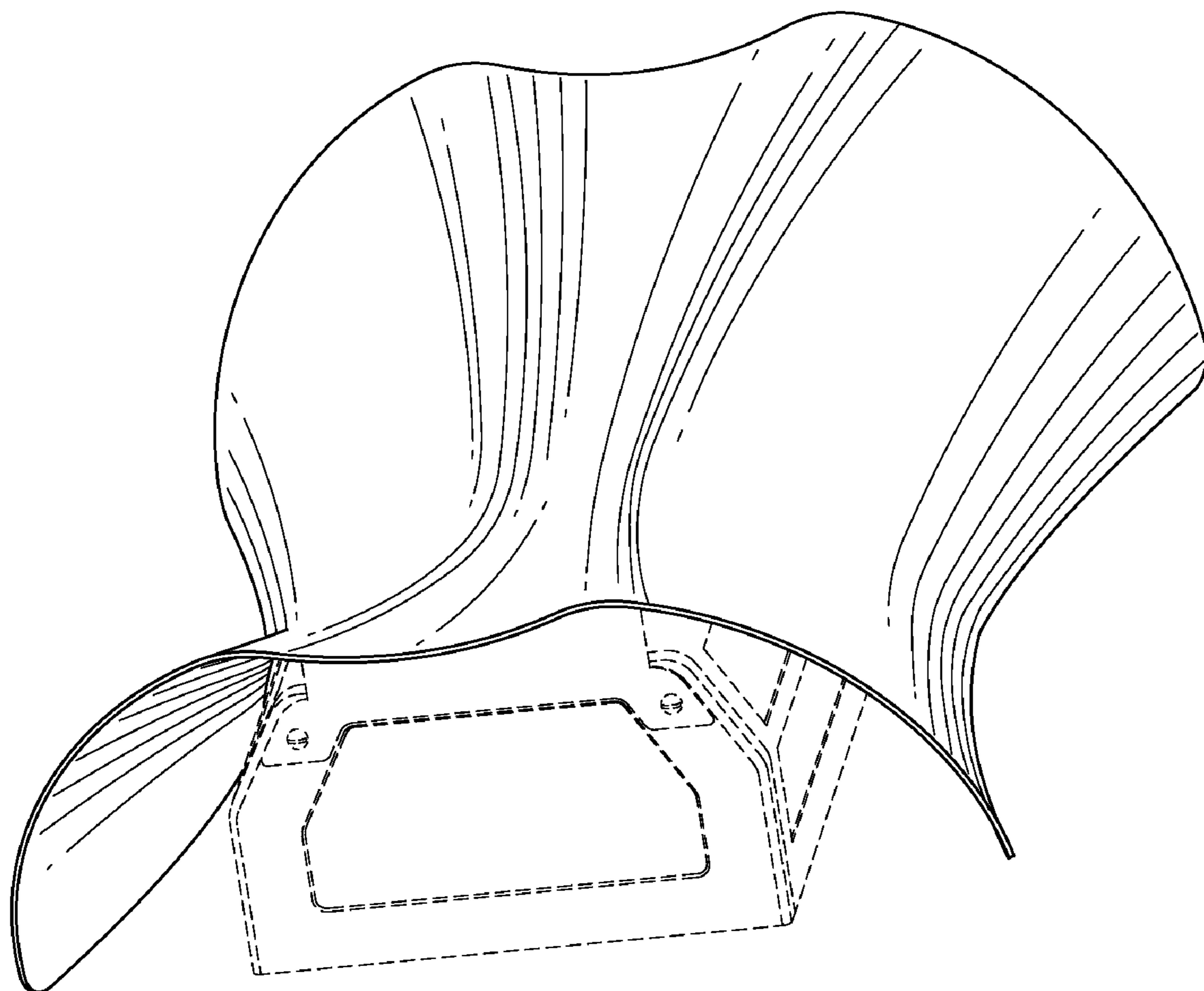


FIG. 2

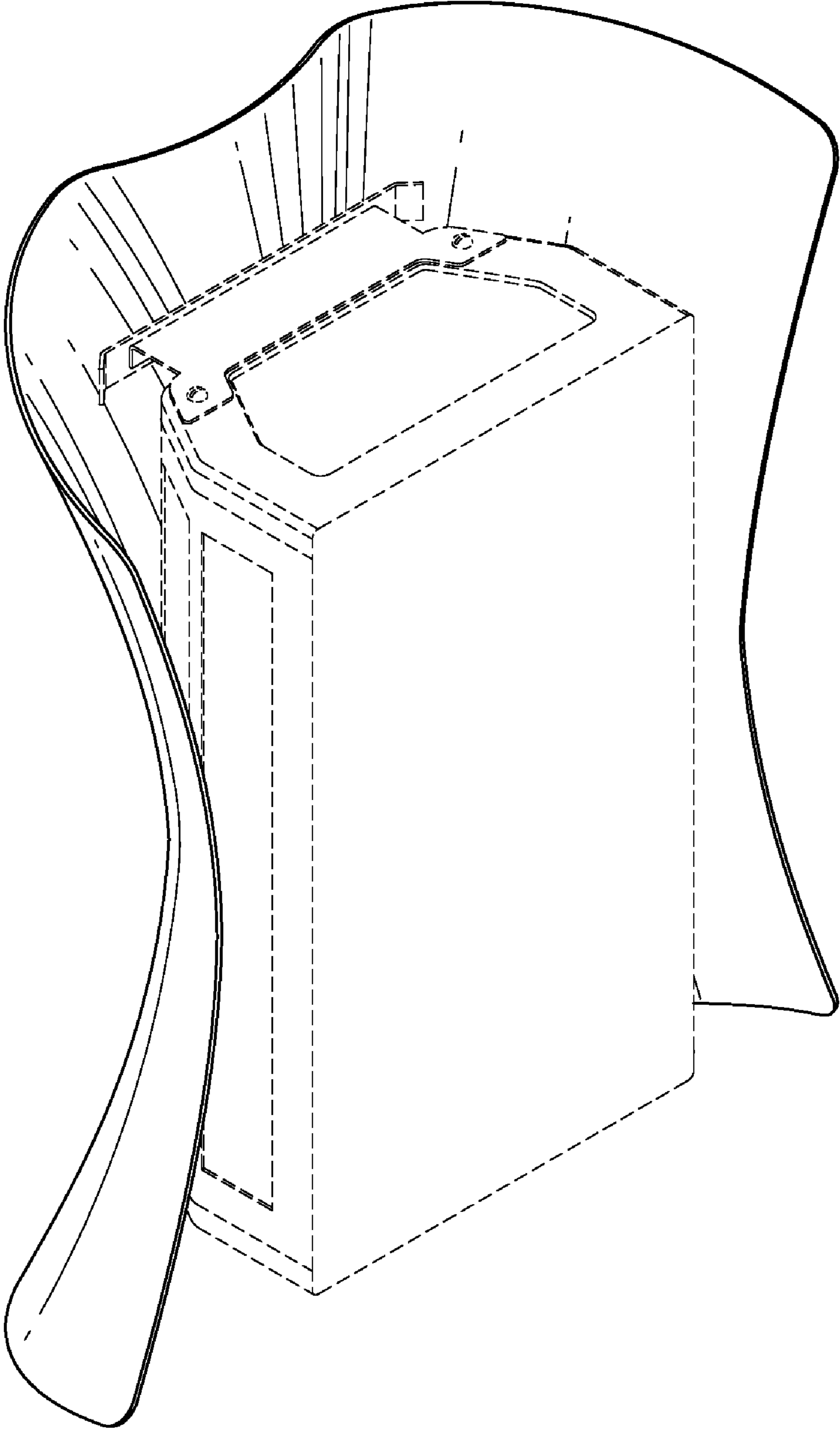


FIG. 3

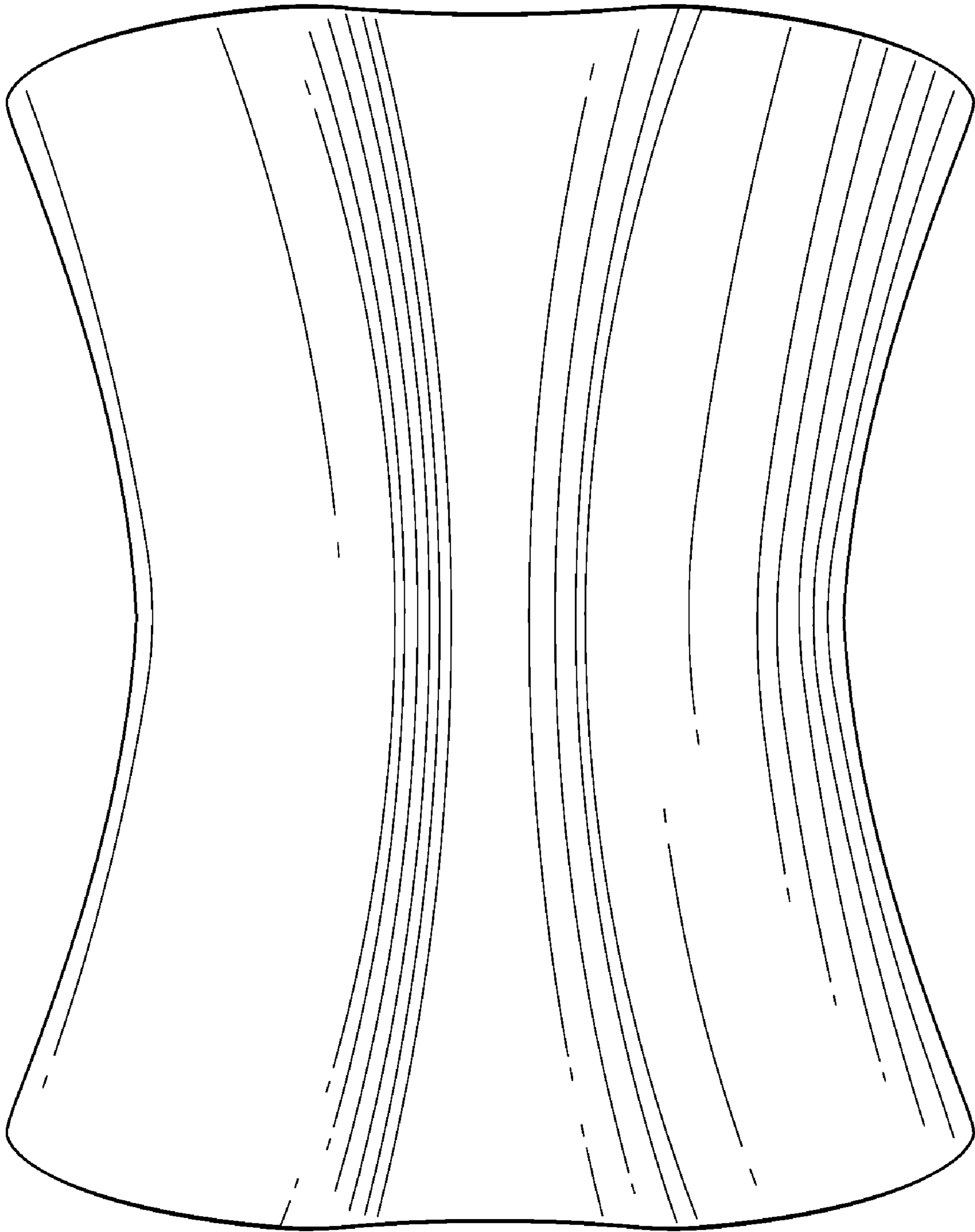


FIG. 4

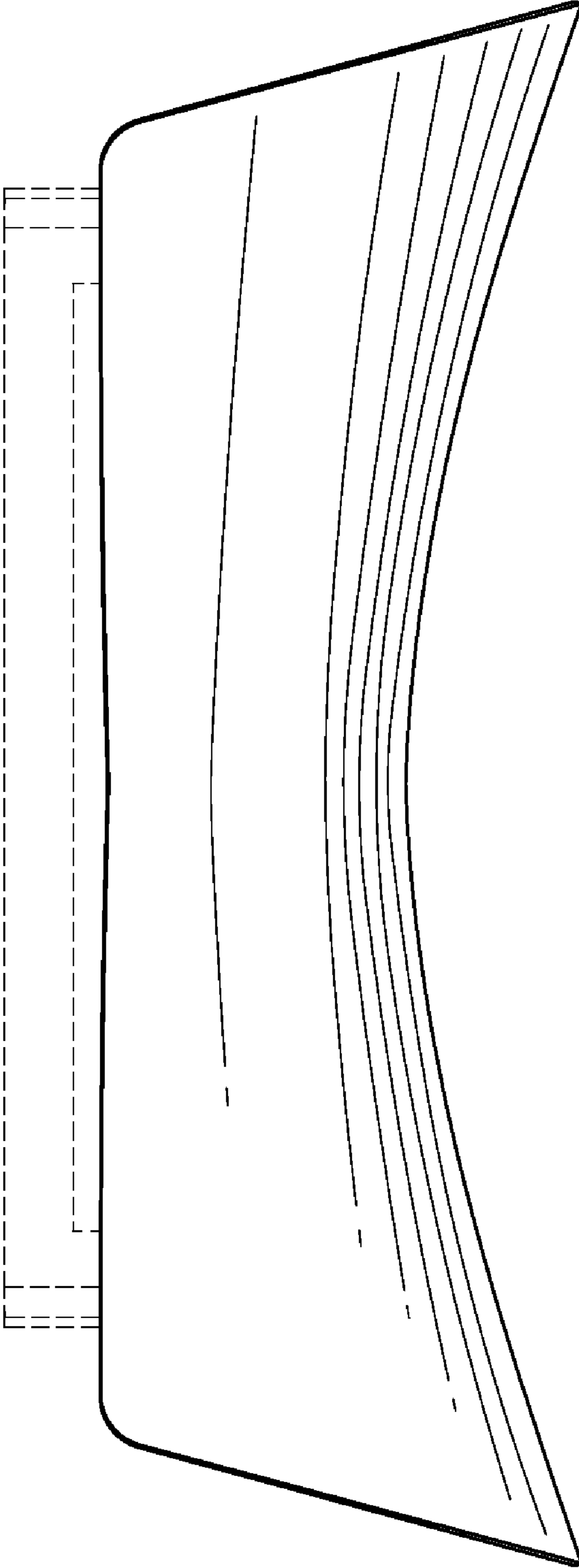


FIG. 5

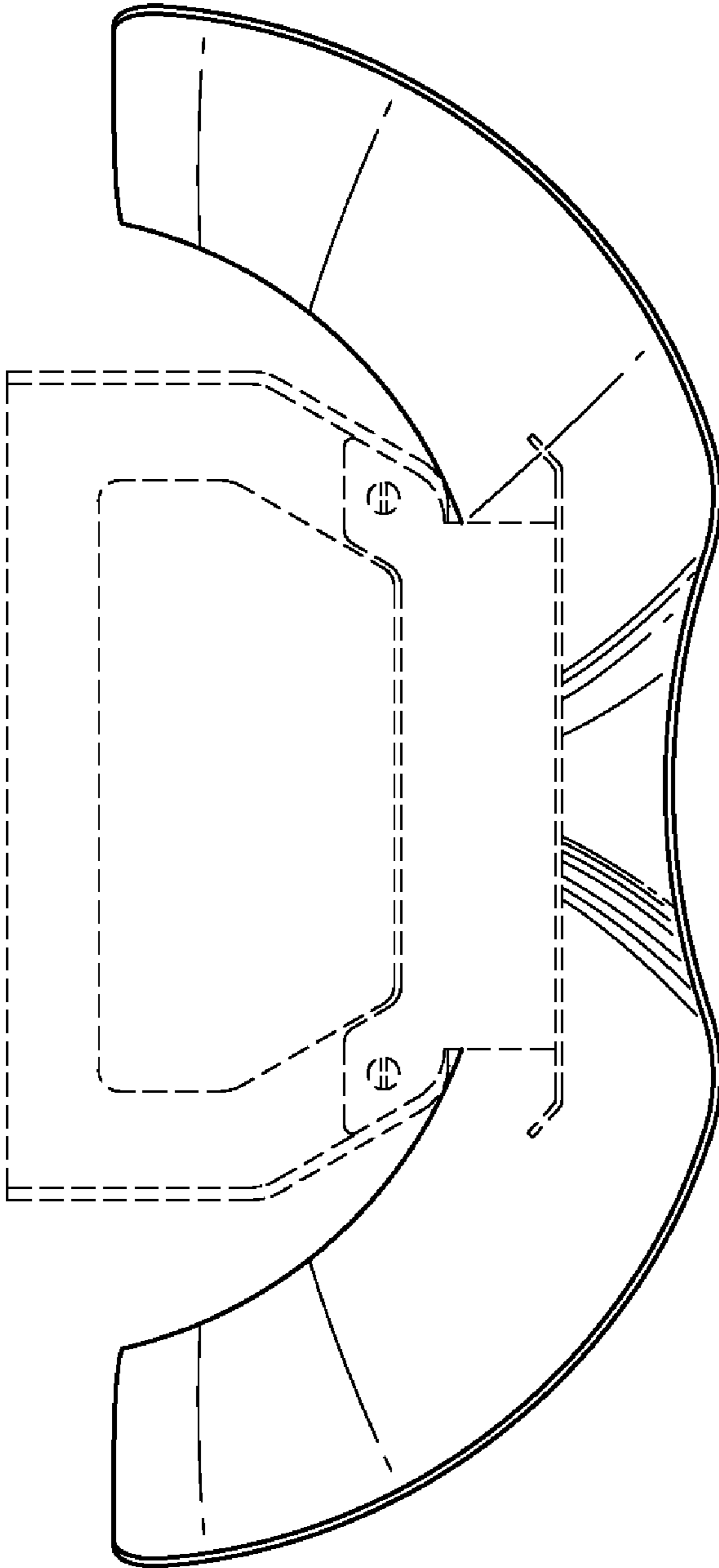


FIG. 6