



US00D615692S

(12) **United States Design Patent**  
**Lavallee**

(10) **Patent No.:** **US D615,692 S**  
(45) **Date of Patent:** **\*\* May 11, 2010**

(54) **LAMP**

(76) Inventor: **Guy Lavallee**, 640, Mgr Dubois,  
Saint-Jérôme, Quebec (CA) J7Y 3L8

(\*\*) Term: **14 Years**

(21) Appl. No.: **29/311,878**

(22) Filed: **Jul. 22, 2009**

(51) **LOC (9) Cl.** ..... **26-03**

(52) **U.S. Cl.** ..... **D26/85; D26/67**

(58) **Field of Classification Search** ..... D26/63,  
D26/67-72, 84, 85, 92; 362/145, 152, 183,  
362/294, 373, 414, 431, 545, 800, 249.02,  
362/249.03, 249.14, 426

See application file for complete search history.

(56) **References Cited**

**U.S. PATENT DOCUMENTS**

2,489,650	A *	11/1949	Landrum	.....	362/413
D194,480	S *	1/1963	Rodriguez et al.	.....	D26/71
3,116,023	A *	12/1963	Van Dusen, Jr. et al.	...	362/294
D205,719	S *	9/1966	Pettengill	.....	D26/69
D218,067	S *	7/1970	DeVito	.....	D26/67
4,527,225	A *	7/1985	Hartman	.....	362/294
D294,646	S *	3/1988	Ewing et al.	.....	D26/71
D324,583	S *	3/1992	Camino et al.	.....	D26/67
D390,680	S *	2/1998	Giese et al.	.....	D26/68

D451,227	S *	11/2001	Orellana et al.	.....	D26/67
D482,481	S *	11/2003	Landefeld	.....	D26/71
D506,281	S *	6/2005	Randazzo et al.	.....	D26/67
D591,887	S *	5/2009	Tortel	.....	D26/67

\* cited by examiner

*Primary Examiner*—Clare E Heflin

(57) **CLAIM**

The ornamental design for a “lamp”, as shown and described.

**DESCRIPTION**

FIG. 1 is a perspective view of a lamp incorporating a design according to the invention, the lamp being supported by a mounting bracket, shown in phantom lines, the mounting bracket being supported by a post, part of which is shown in phantom lines;

FIG. 2 is a left side elevational view thereof;

FIG. 3 is a right side elevational view thereof;

FIG. 4 is a front elevational view thereof;

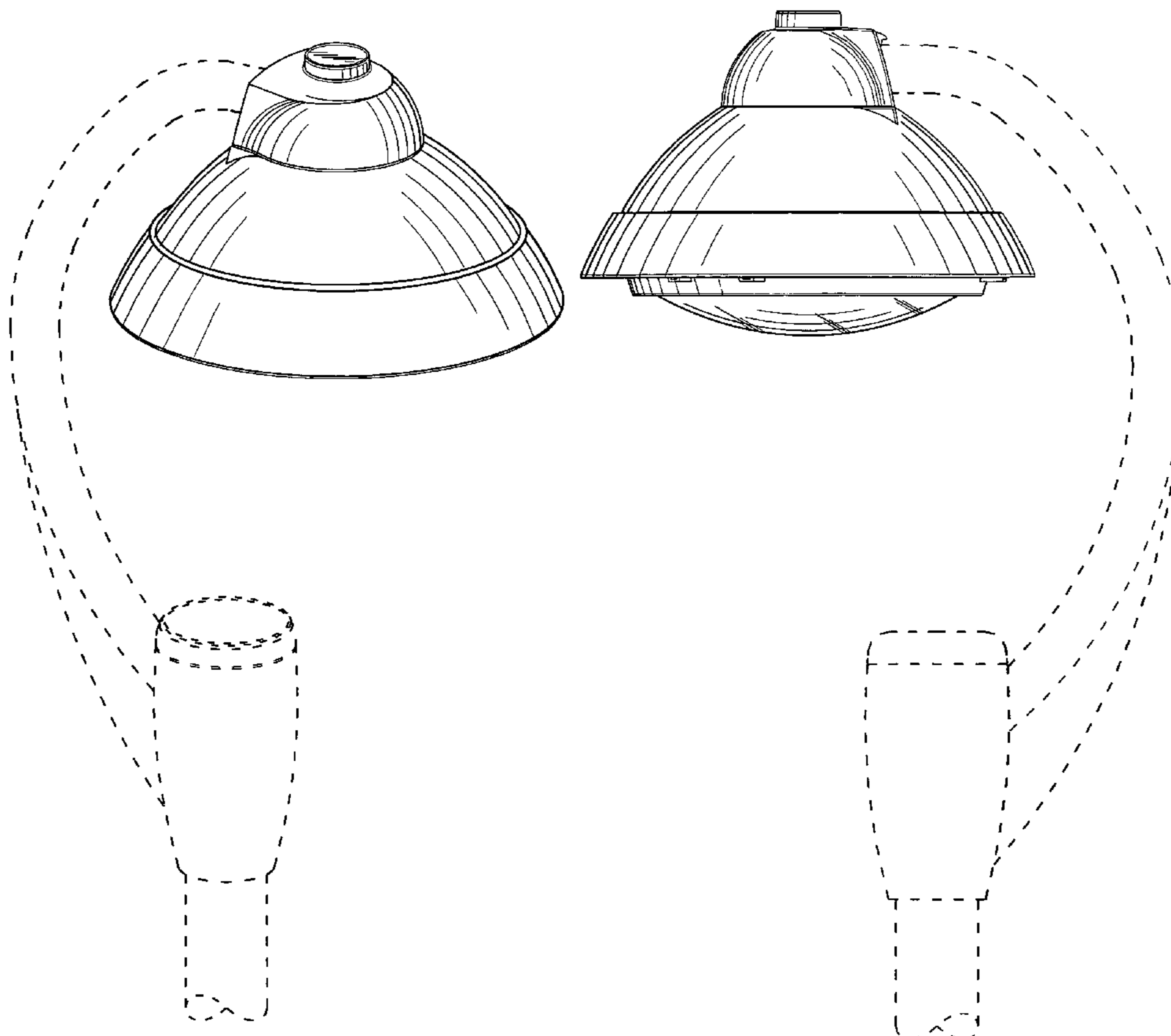
FIG. 5 is a rear elevational view thereof;

FIG. 6 is a bottom plan view thereof; and,

FIG. 7 is a top plan view thereof.

The broken lines shown on the drawings depict environment only and form no part of the claimed design.

**1 Claim, 6 Drawing Sheets**



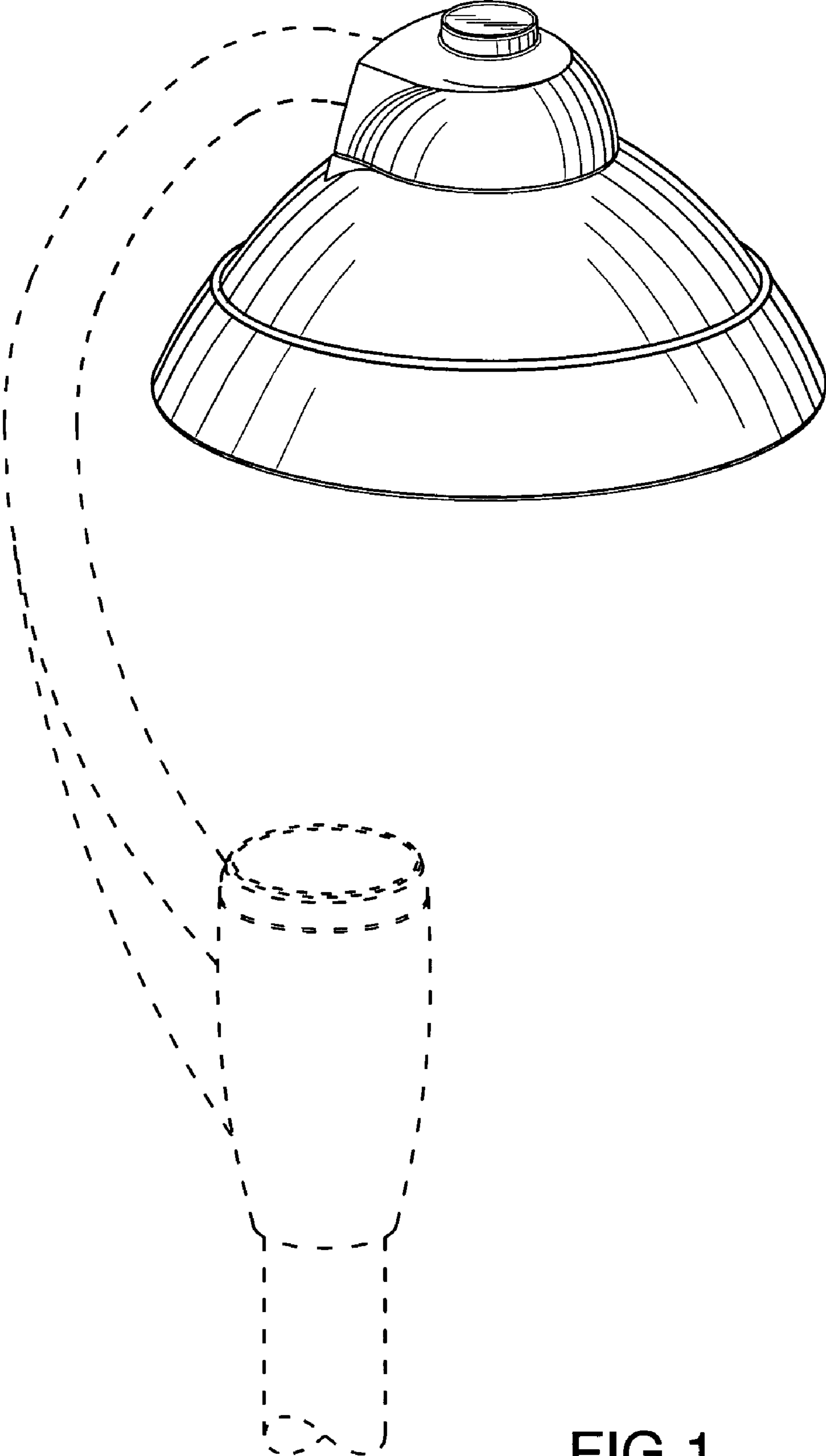


FIG. 1

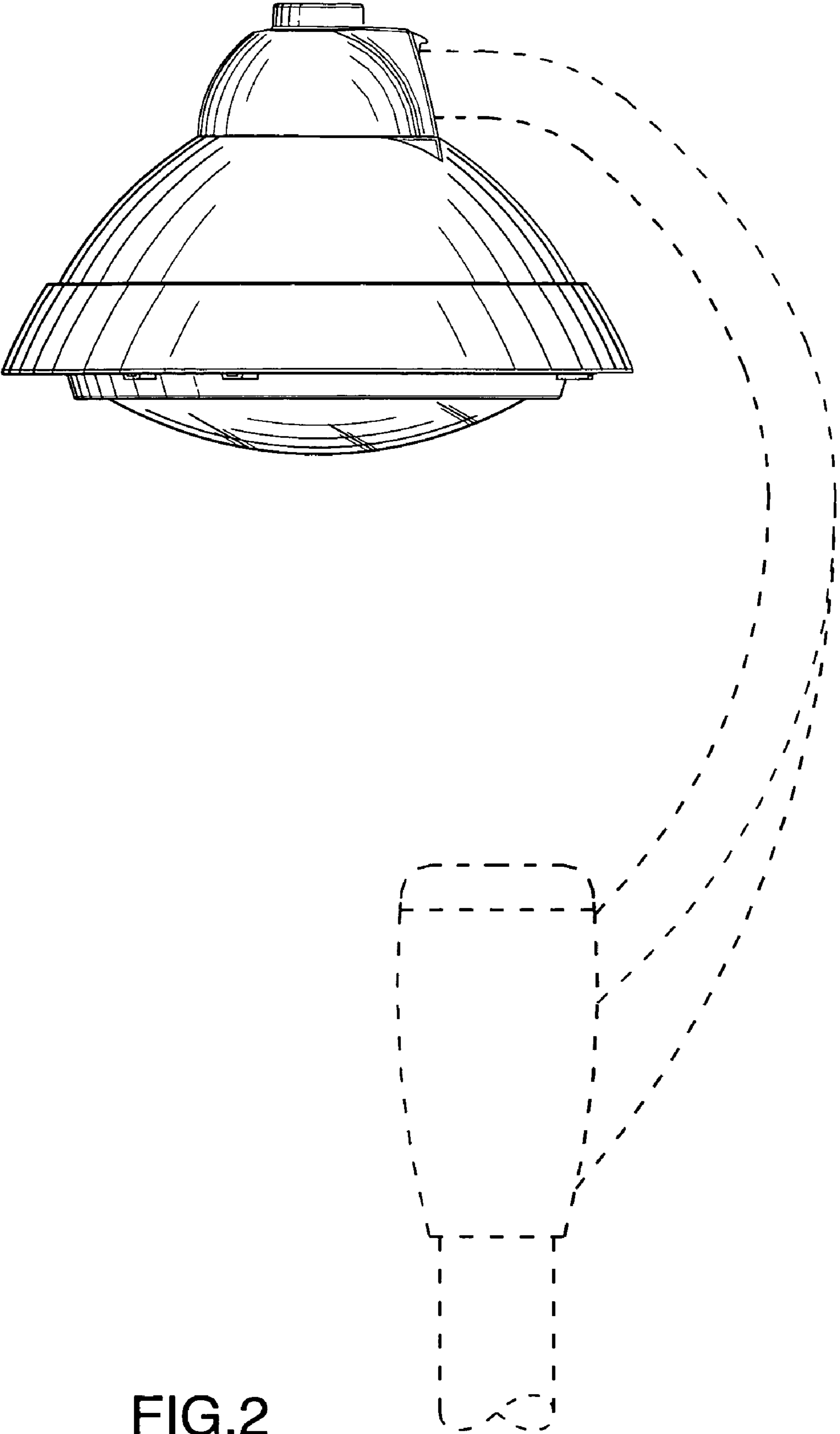


FIG.2

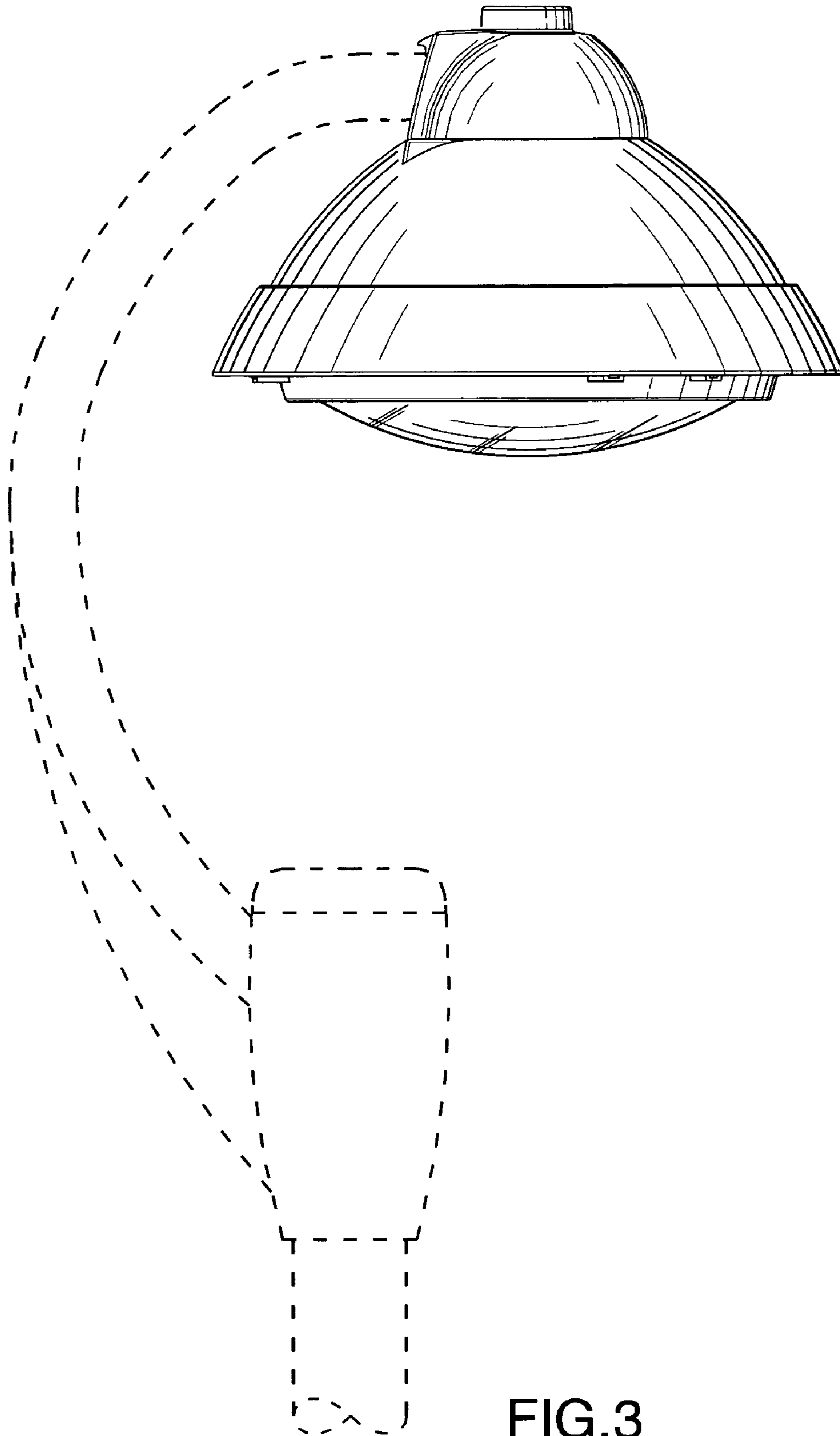


FIG. 3

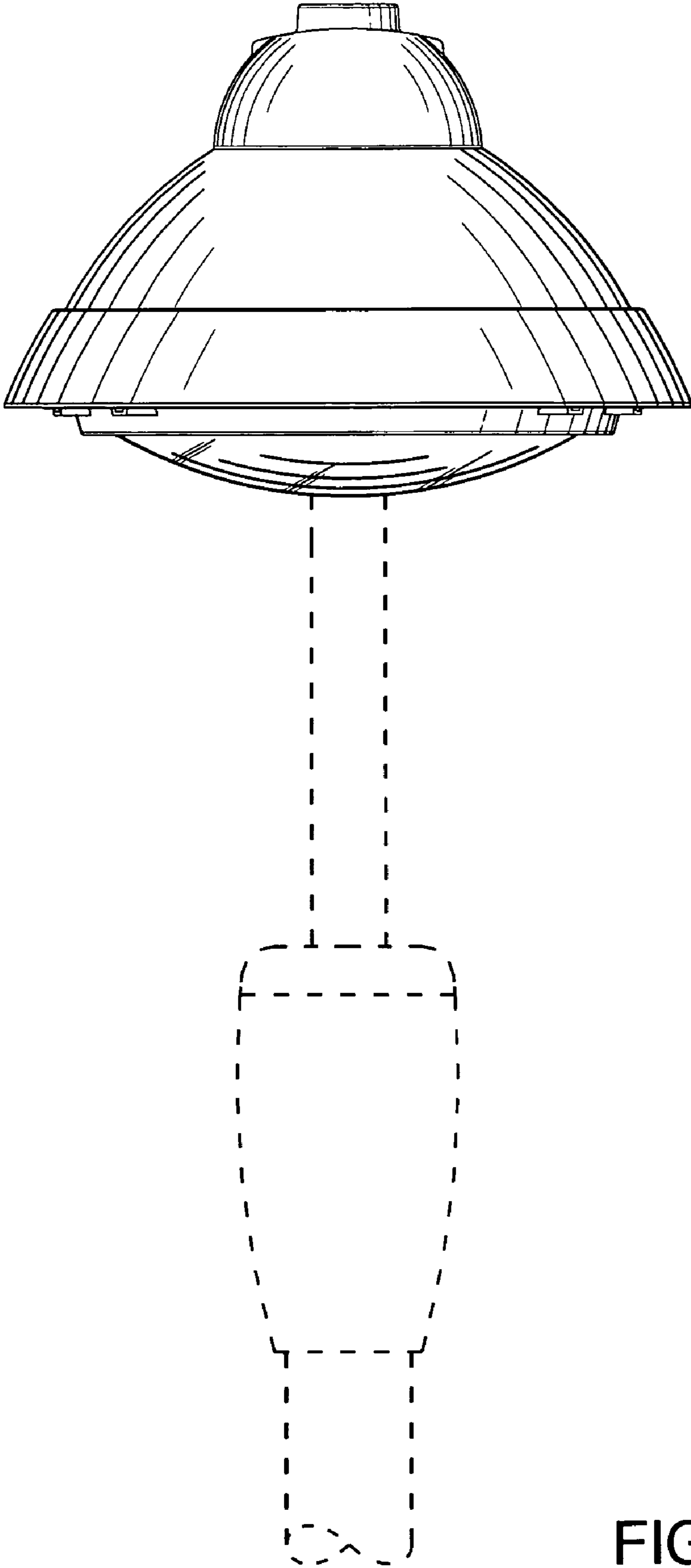


FIG.4

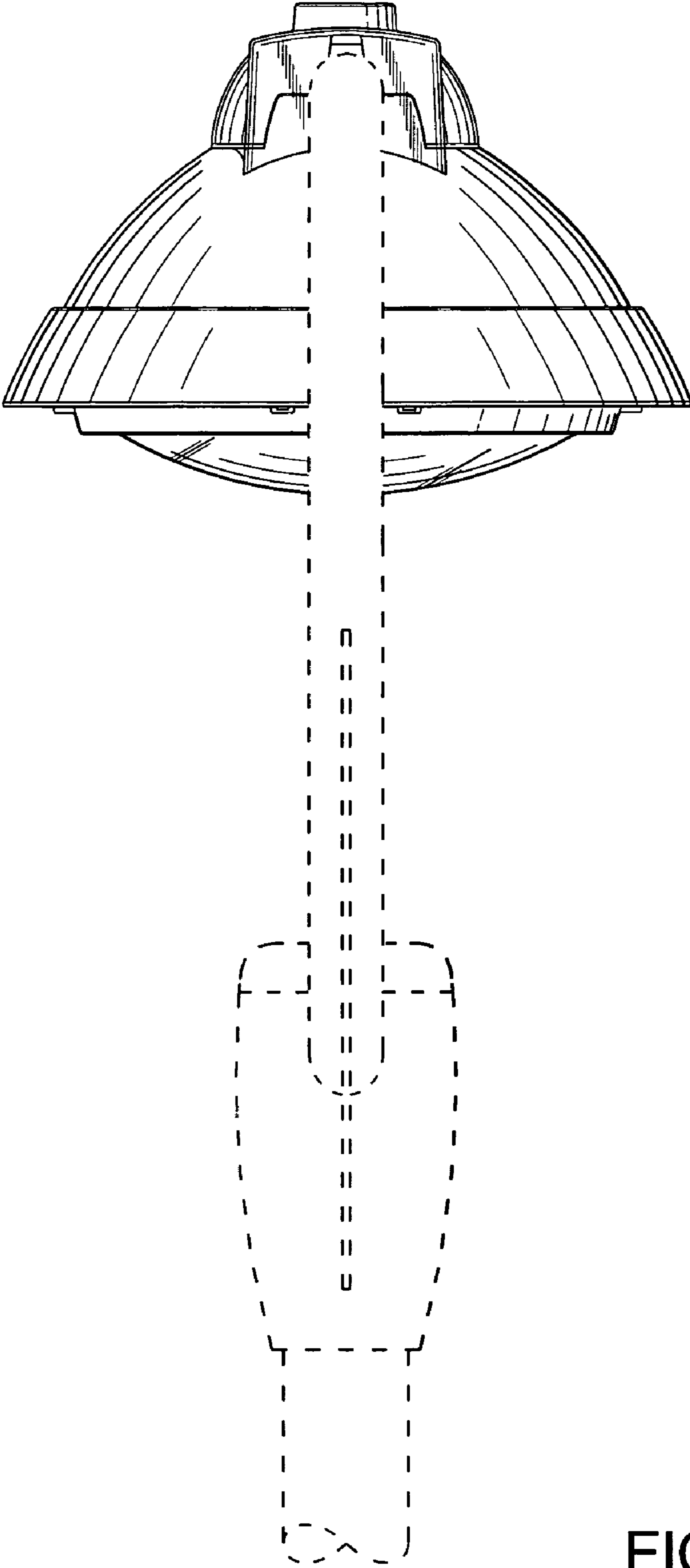


FIG.5

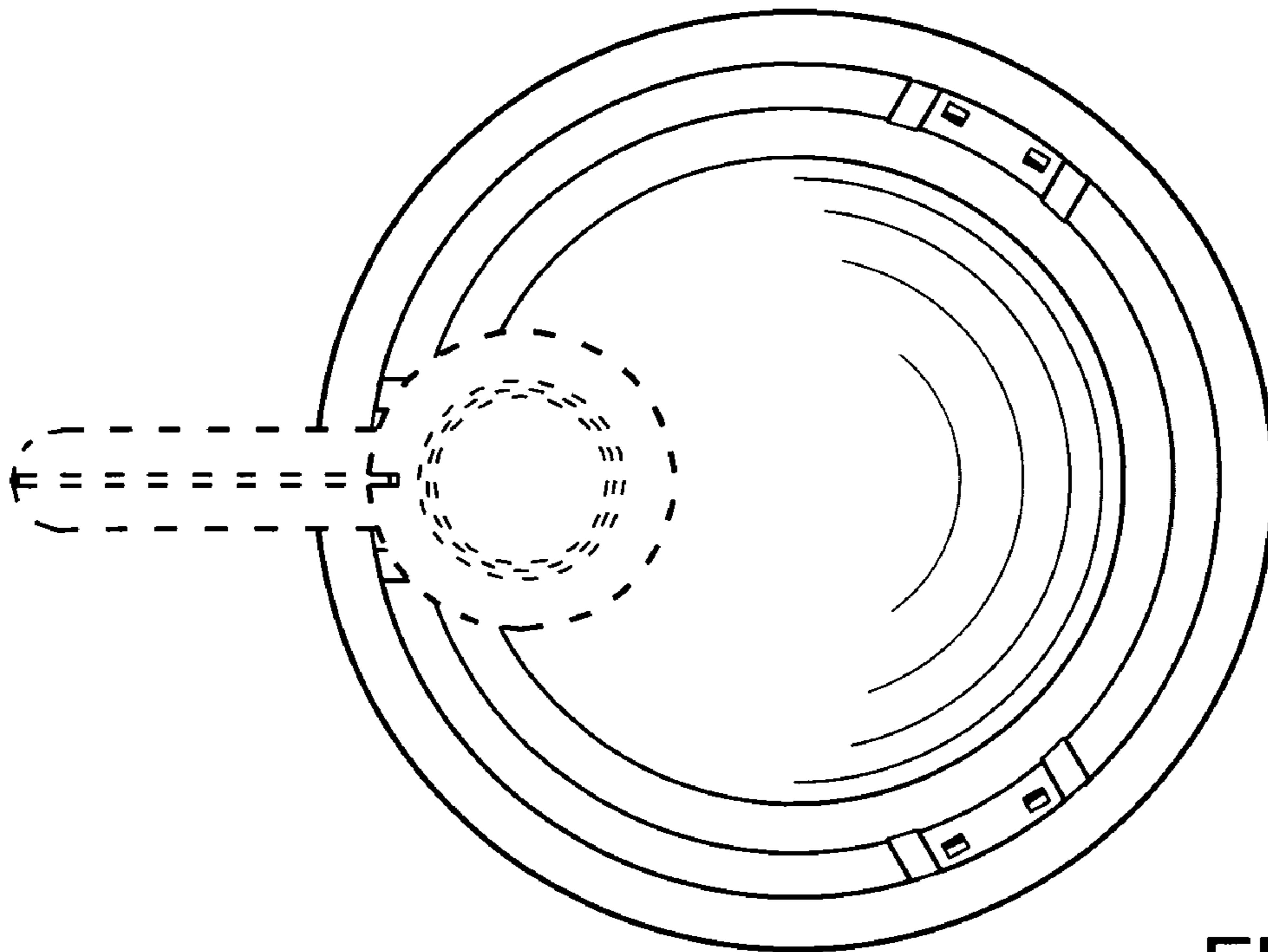


FIG. 6

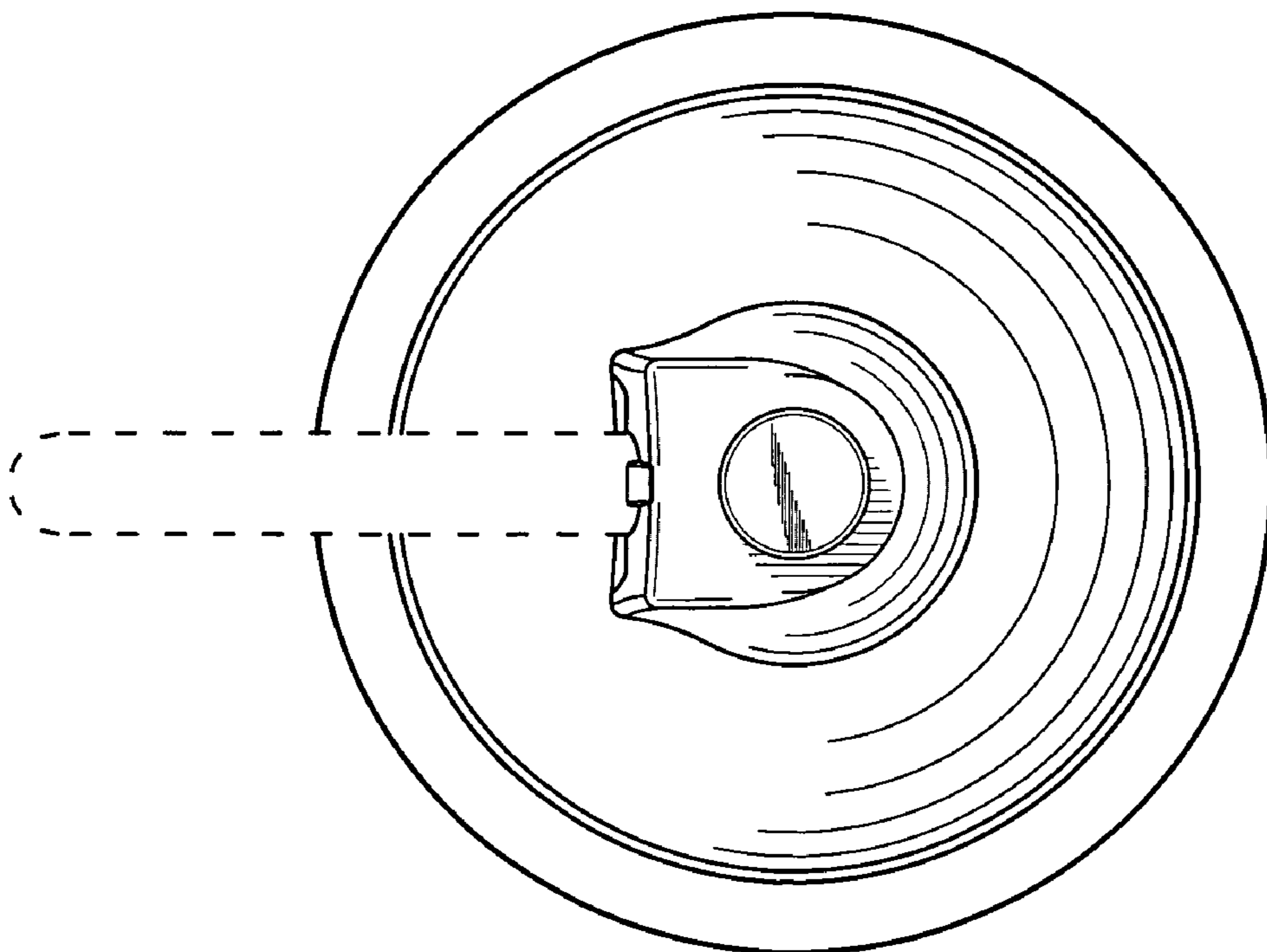


FIG. 7