



US00D615688S

(12) **United States Design Patent**
Chen

(10) **Patent No.:** **US D615,688 S**
(45) **Date of Patent:** **** May 11, 2010**

(54) **SOLAR LIGHT**

(75) Inventor: **Chi Gon Chen**, Guang Zhou (CN)

(73) Assignee: **International Development LLC**,
Roanoke, TX (US)

(**) Term: **14 Years**

(21) Appl. No.: **29/343,361**

(22) Filed: **Sep. 11, 2009**

(51) **LOC (9) Cl.** **26-05**

(52) **U.S. Cl.** **D26/68; D26/63**

(58) **Field of Classification Search** D26/61,
D26/63, 67-71, 85, 128; 362/152, 153, 153.1,
362/180, 183, 431, 653

See application file for complete search history.

(56) **References Cited**

U.S. PATENT DOCUMENTS

5,055,984	A *	10/1991	Hung et al.	362/183
D413,996	S *	9/1999	Andrus et al.	D26/68
5,988,833	A *	11/1999	Giese et al.	362/427
D531,748	S *	11/2006	Sanoner	D26/68
D533,298	S *	12/2006	Kuelbs et al.	D26/67
D542,959	S *	5/2007	Yao et al.	D26/68

D550,877	S *	9/2007	Mullen	D26/63
D551,789	S *	9/2007	Mullen	D26/63
D555,277	S *	11/2007	Stekelenburg	D26/68
2006/0187656	A1 *	8/2006	Kuelbs et al.	362/183
2007/0002561	A1 *	1/2007	Tesmer et al.	362/183

* cited by examiner

Primary Examiner—Clare E Heflin

(74) *Attorney, Agent, or Firm*—David W. Carstens; Carstens & Cahoon, LLP

(57) **CLAIM**

The ornamental design for a solar light, as shown.

DESCRIPTION

FIG. 1 is a perspective view of the solar light of the present invention;

FIG. 2 is a front elevation view thereof; and

FIG. 3 is a rear elevation view thereof.

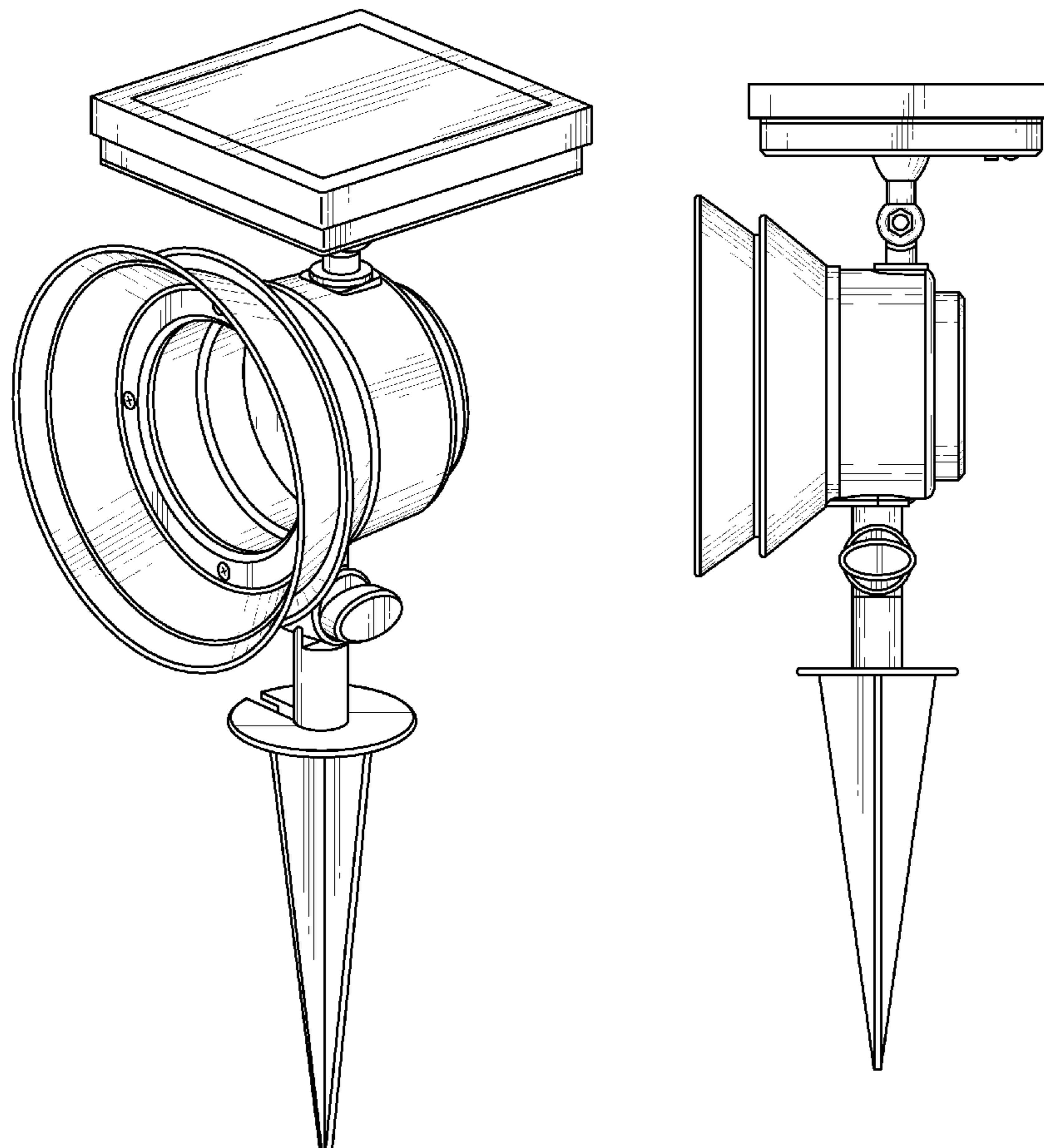
FIG. 4 is a right side elevation view thereof;

FIG. 5 is a left side elevation thereof;

FIG. 6 is a top plan view thereof; and,

FIG. 7 is a bottom plan view thereof.

1 Claim, 4 Drawing Sheets



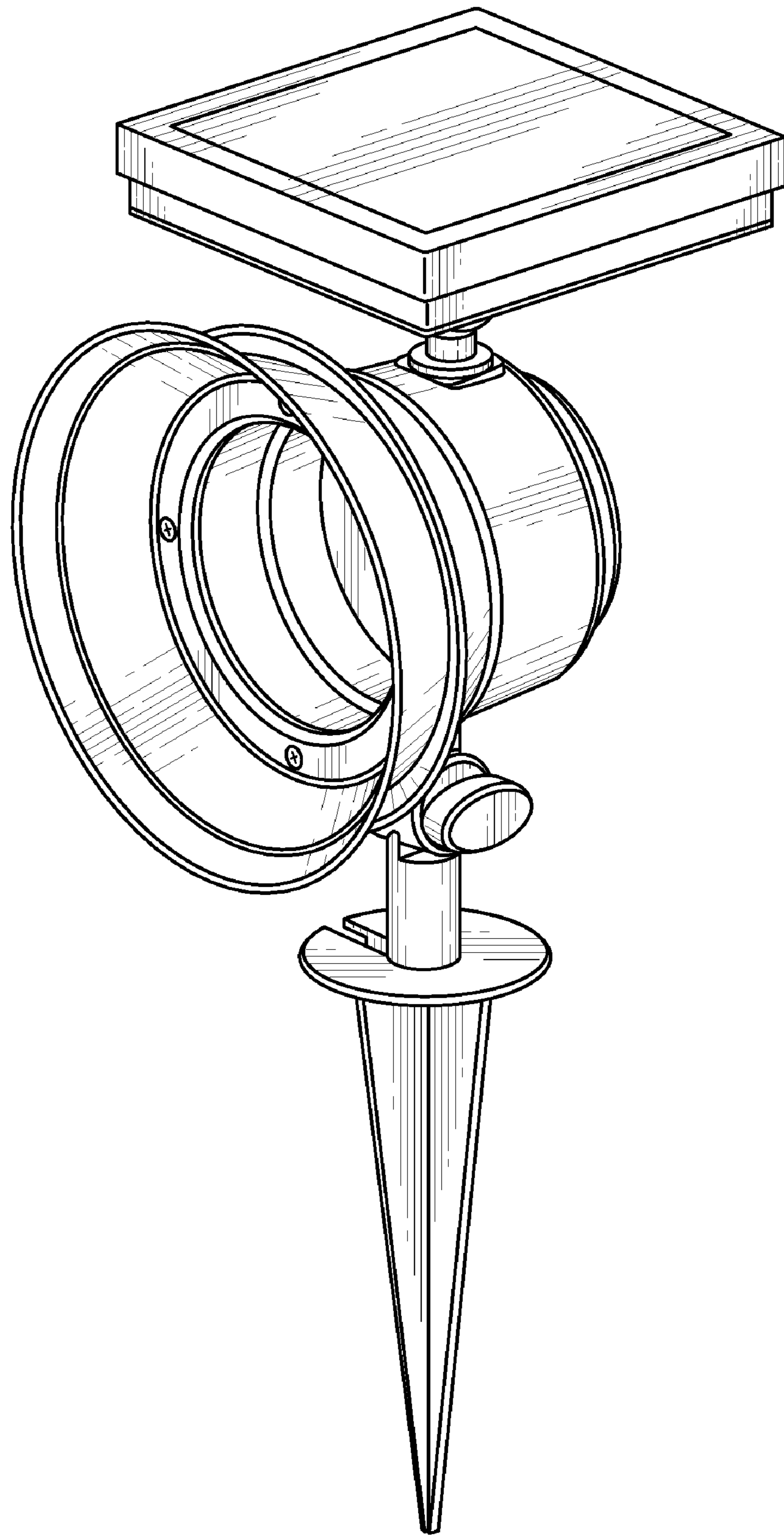


FIG. 1

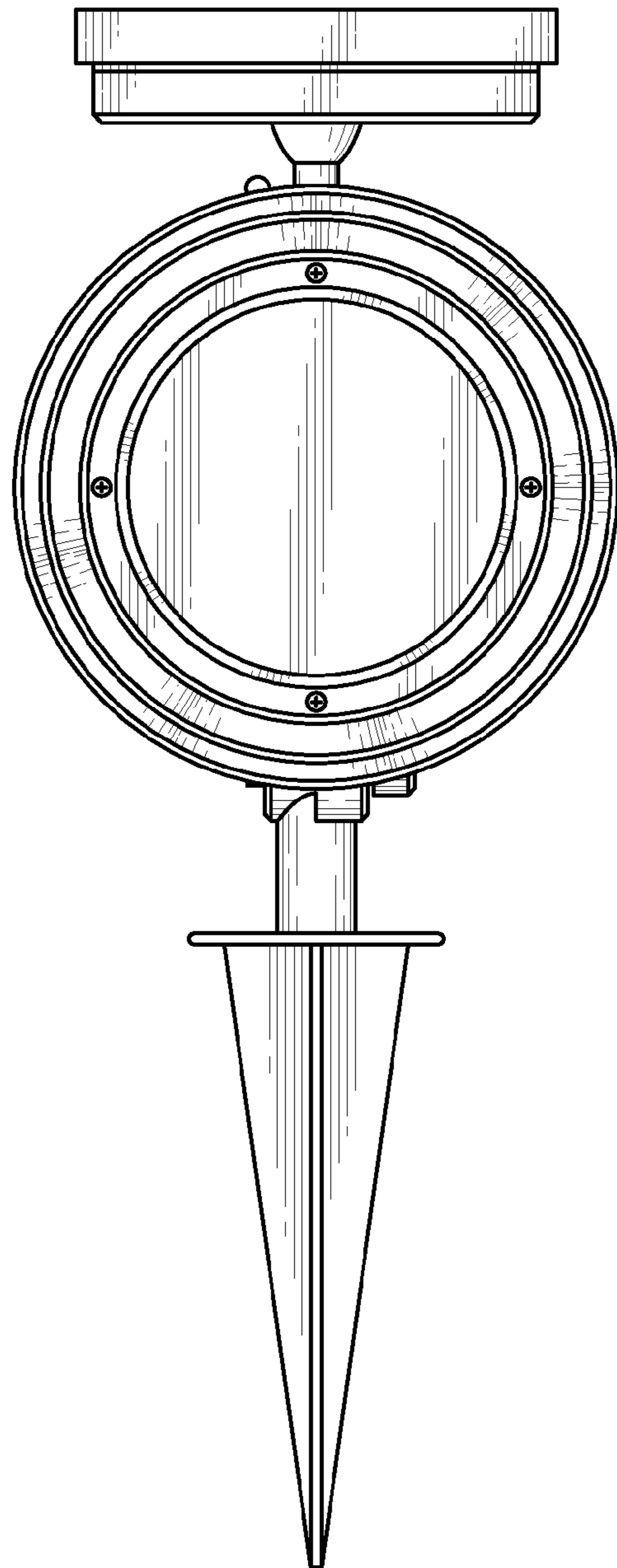


FIG. 2

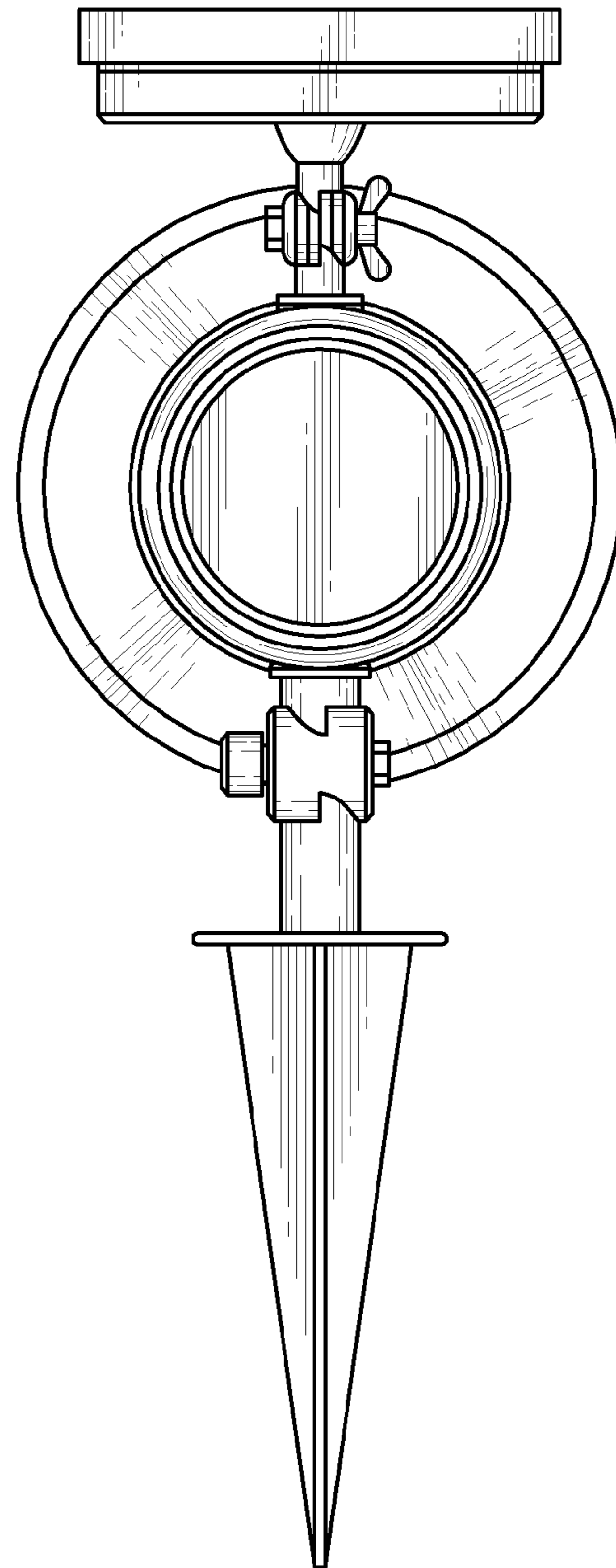


FIG. 3

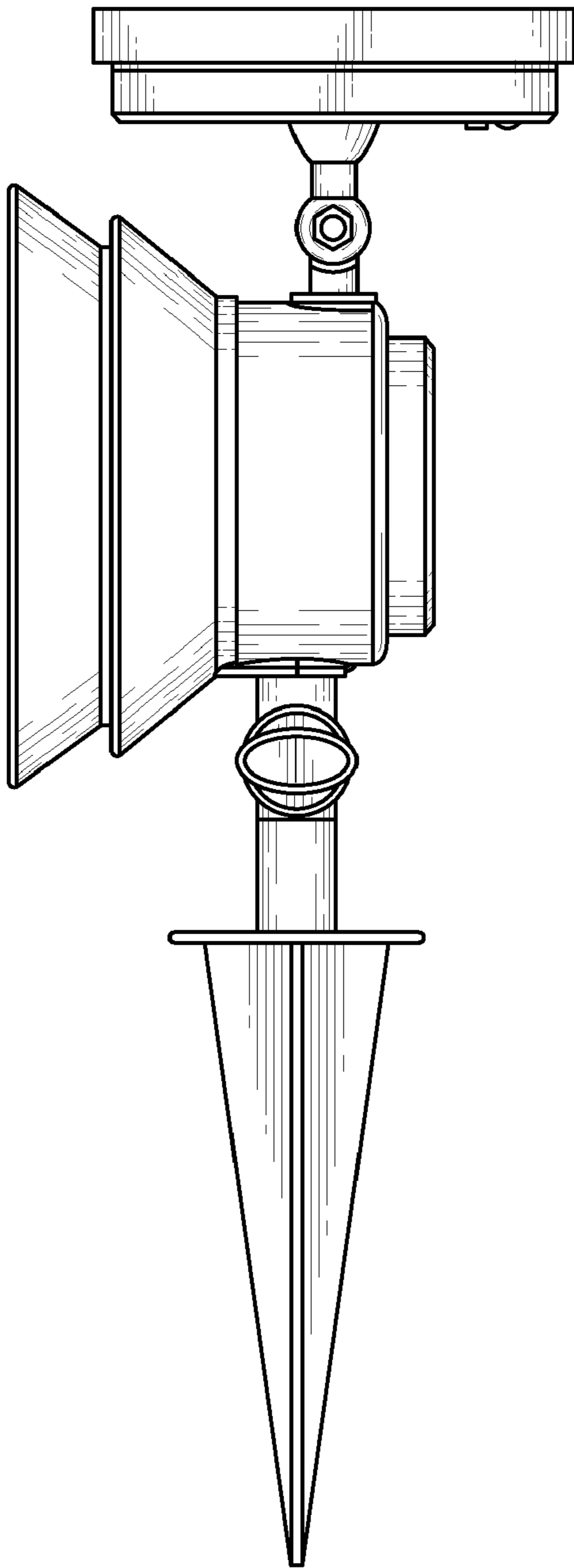


FIG. 4

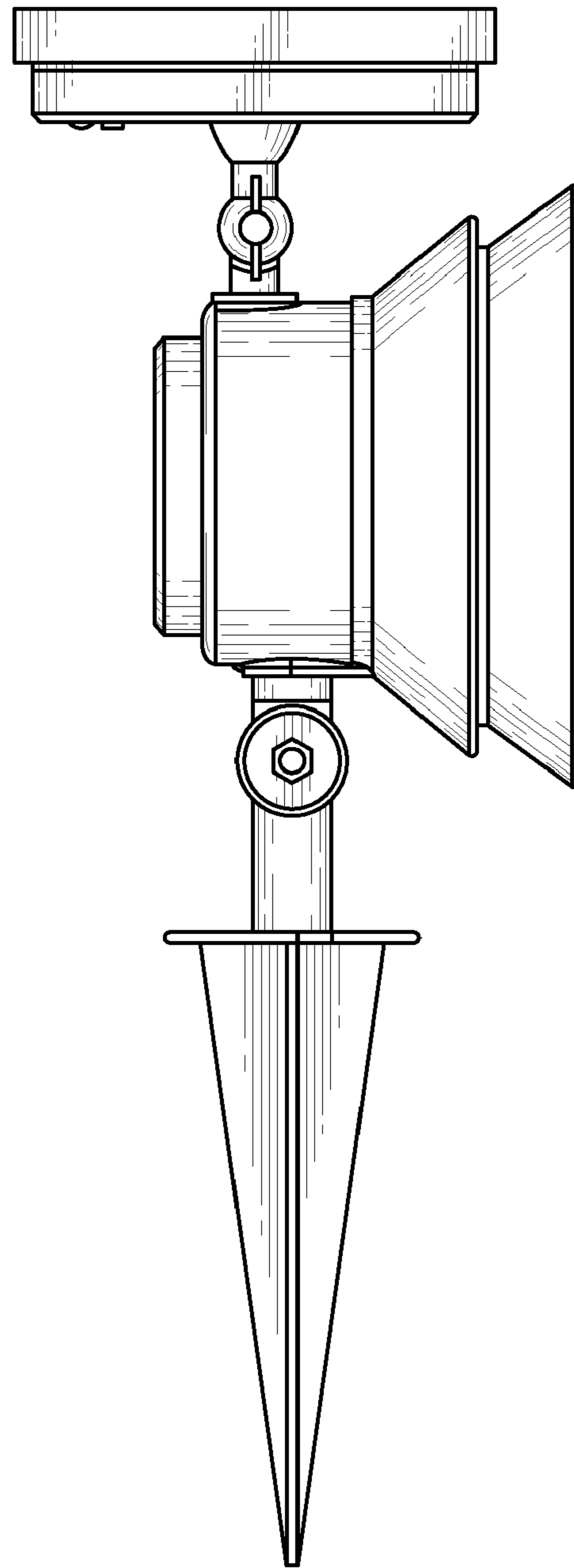


FIG. 5

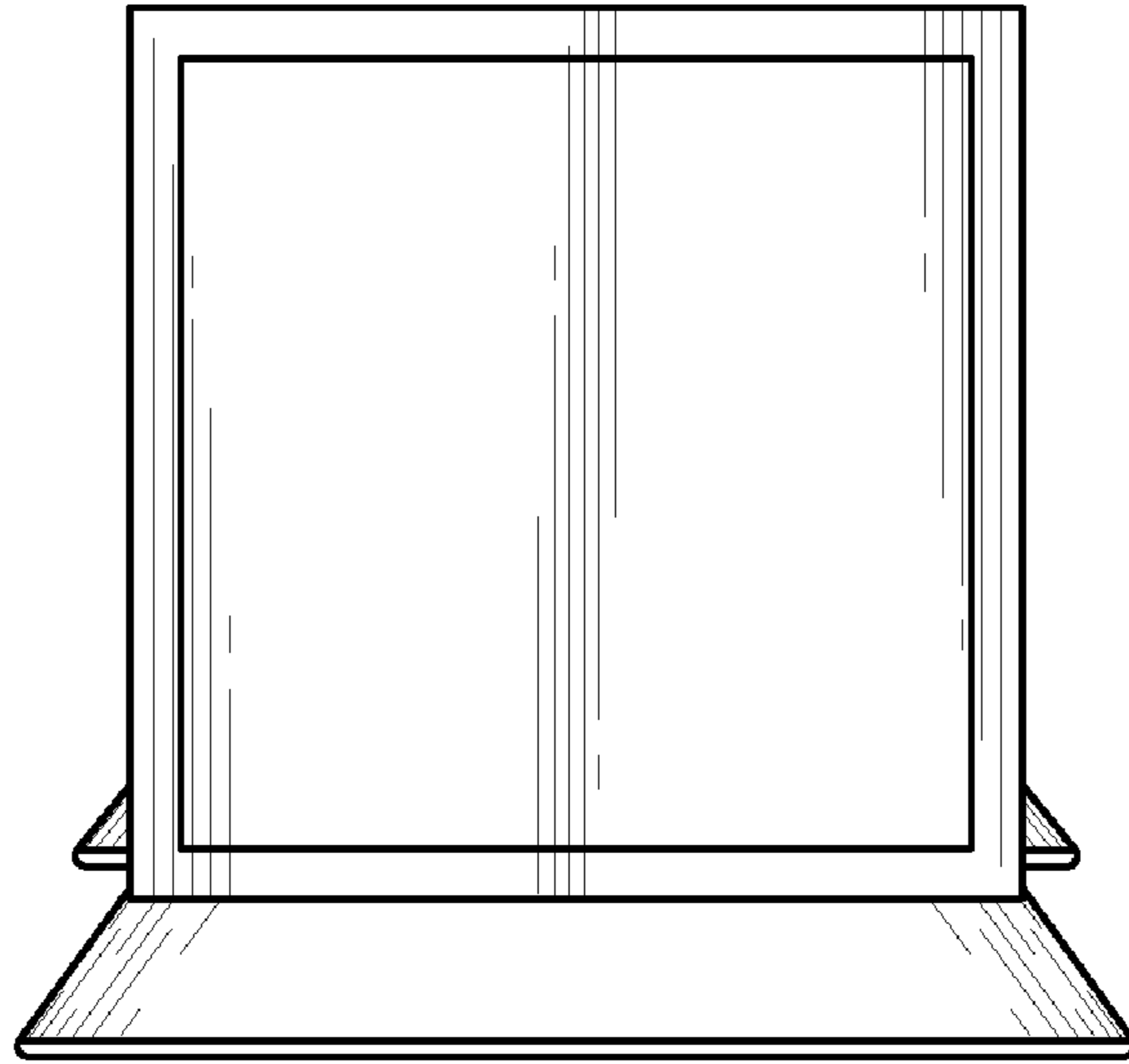


FIG. 6

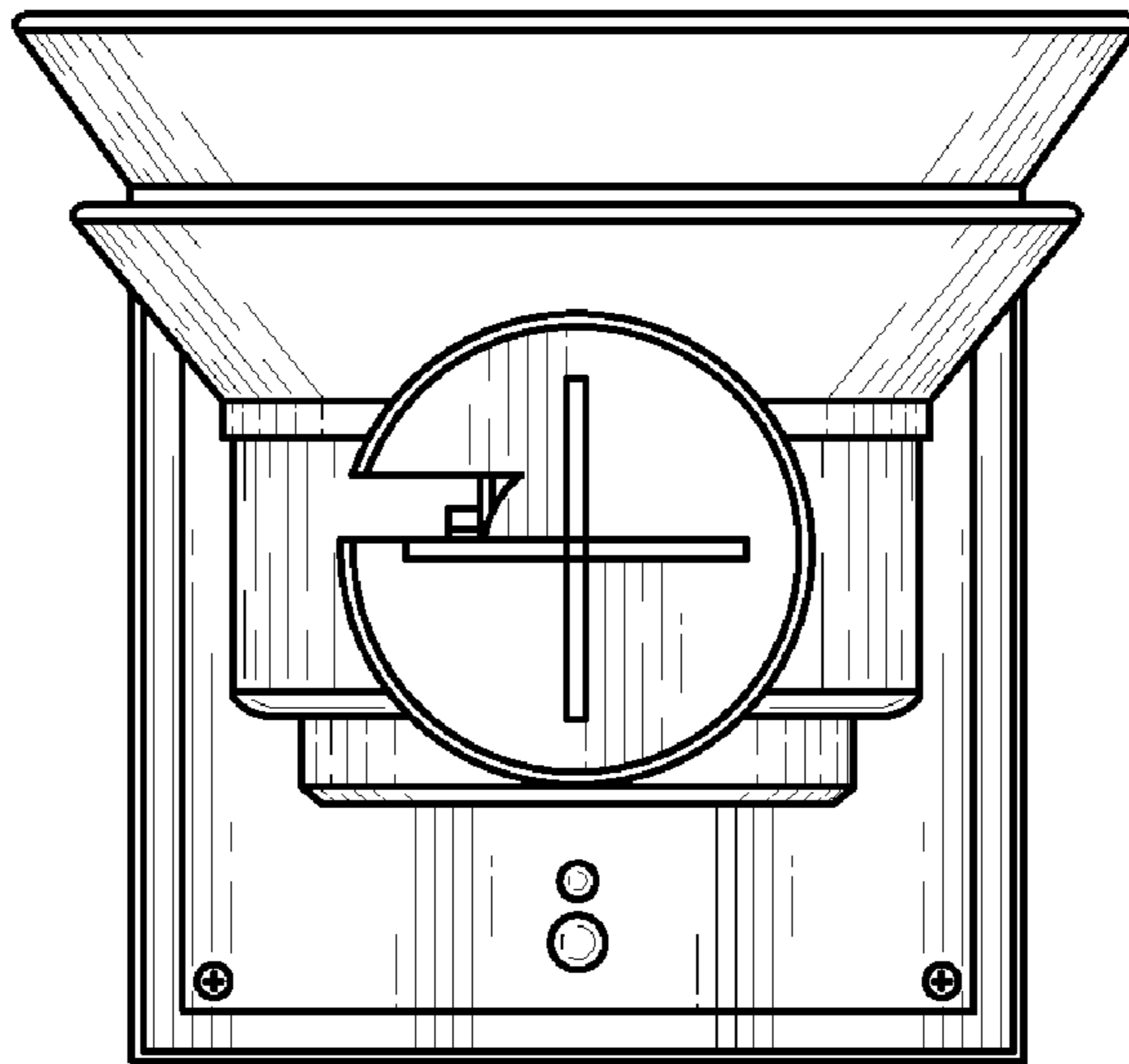


FIG. 7