



US00D615681S

(12) **United States Design Patent**  
**Thomson et al.**

(10) **Patent No.:** **US D615,681 S**

(45) **Date of Patent:** **\*\* May 11, 2010**

(54) **LED TASK LIGHT**

(75) Inventors: **John Matthew Thomson**, Tampa, FL (US); **Kelly Martelli**, Tampa, FL (US); **Kelly Shea Keuthe**, Lutz, FL (US)

(73) Assignee: **Ottlite Technologies, Inc.**, Tampa, FL (US)

(\*\*) Term: **14 Years**

(21) Appl. No.: **29/340,612**

(22) Filed: **Jul. 22, 2009**

(51) **LOC (9) Cl.** ..... **26-05**

(52) **U.S. Cl.** ..... **D26/63**

(58) **Field of Classification Search** ..... D26/61-65,  
D26/107; 362/269, 275, 285, 371, 410, 413,  
362/414, 418, 419, 426, 427

See application file for complete search history.

(56) **References Cited**

**U.S. PATENT DOCUMENTS**

D54,432 S *	2/1920	MacLewee	.....	D26/63
D290,884 S *	7/1987	Sano et al.	.....	D26/65
D386,273 S *	11/1997	Yan	.....	D26/63
D469,201 S *	1/2003	De Bevilacqua	.....	D26/65
D478,682 S *	8/2003	Abry	.....	D26/65
D518,586 S *	4/2006	Kaufman	.....	D26/60
D523,984 S *	6/2006	Cai	.....	D26/61
D571,032 S *	6/2008	Chen	.....	D26/61
D596,776 S *	7/2009	Hodgson	.....	D26/63
D601,288 S *	9/2009	Thomson et al.	.....	D26/63
2006/0050519 A1 *	3/2006	Lin	.....	362/413

\* cited by examiner

*Primary Examiner*—Clare E Heflin

(74) *Attorney, Agent, or Firm*—Christopher Paradies; Fowler White Boggs P.A.

(57) **CLAIM**

The ornamental design for an LED task light, as shown and described.

**DESCRIPTION**

FIG. 1 is a top plan view of an LED task light, in its closed position, showing our new design;

FIG. 2 is a top plan view, in its open position, thereof;

FIG. 3 is a left side elevational view, in its closed position, thereof;

FIG. 4 is a left side elevational view, in its open position, thereof;

FIG. 5 is a right side elevational view, in its closed position, thereof;

FIG. 6 is a right side elevational view, in its open position, thereof;

FIG. 7 is a front elevational view, in its closed position, thereof;

FIG. 8 is a front elevational view, in its open position, thereof;

FIG. 9 is a bottom plan view in its closed position, thereof;

FIG. 10 is a rear elevational view, in its closed position, thereof;

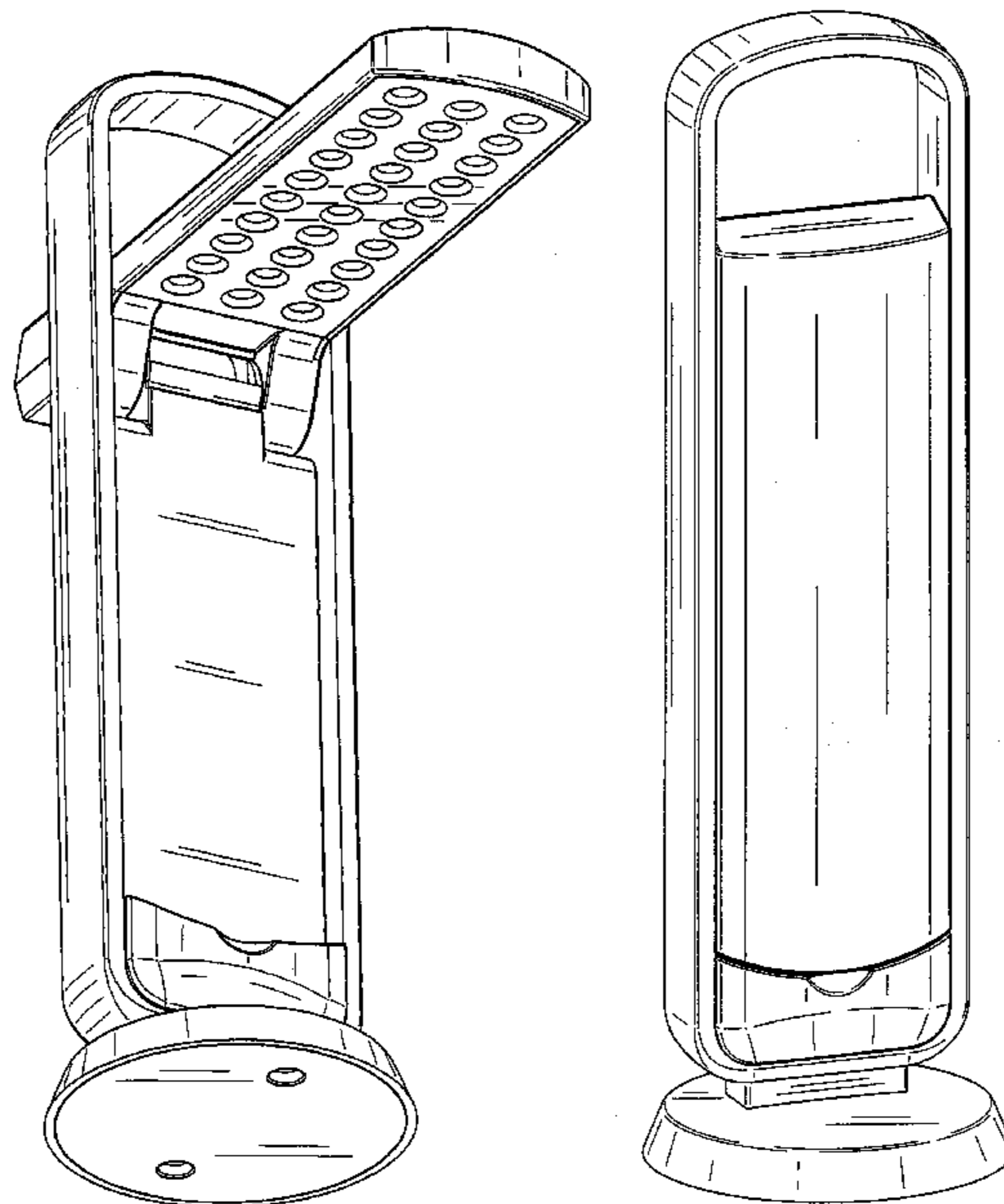
FIG. 11 is a rear elevational view, in its open position, thereof;

FIG. 12 is a bottom plan view in its open position, thereof;

FIG. 13 is a bottom, side perspective view of the front, in its open position, thereof; and,

FIG. 14 is a bottom, side perspective view of the front, in its closed position.

**1 Claim, 12 Drawing Sheets**



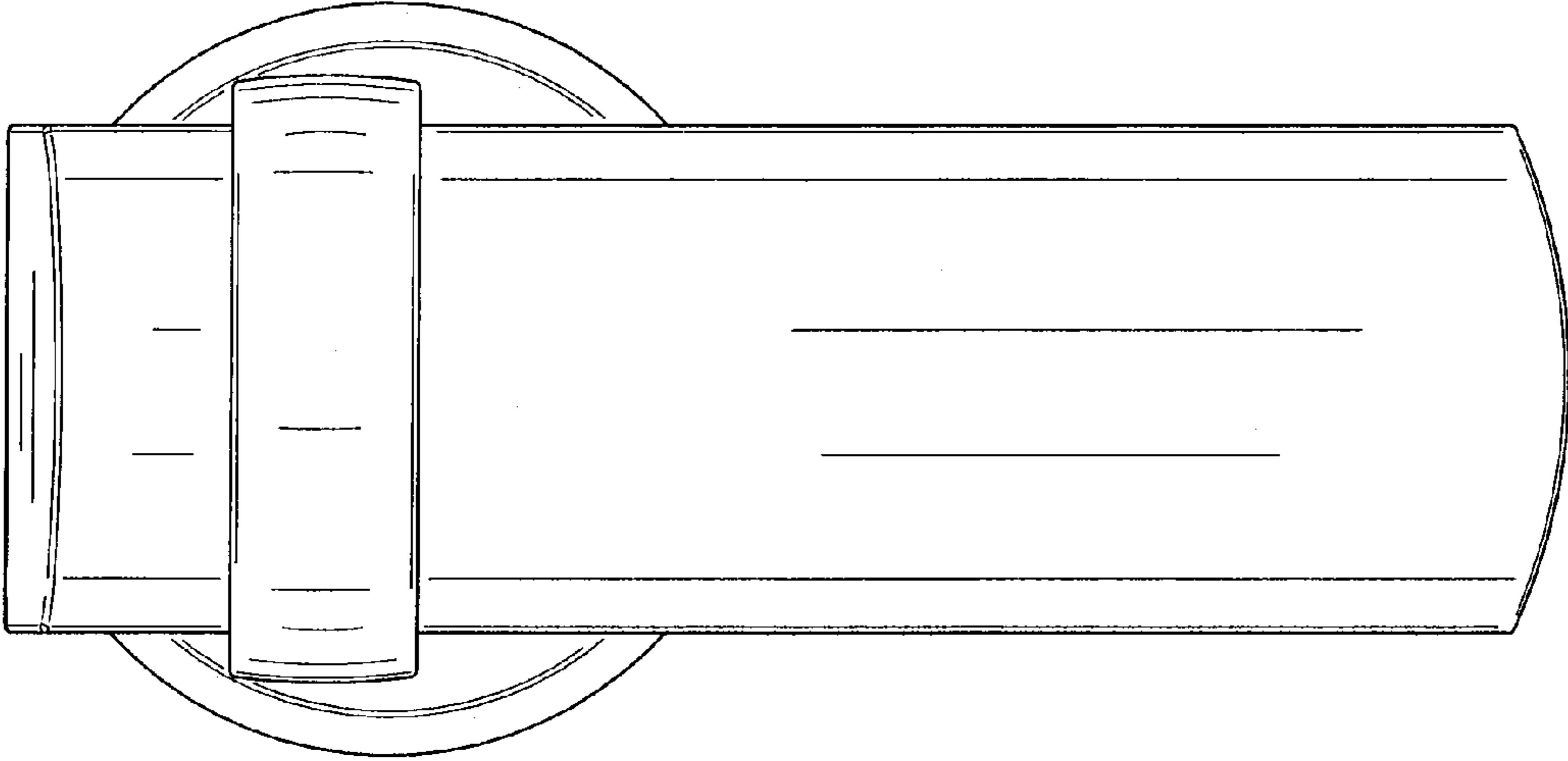


FIG. 2

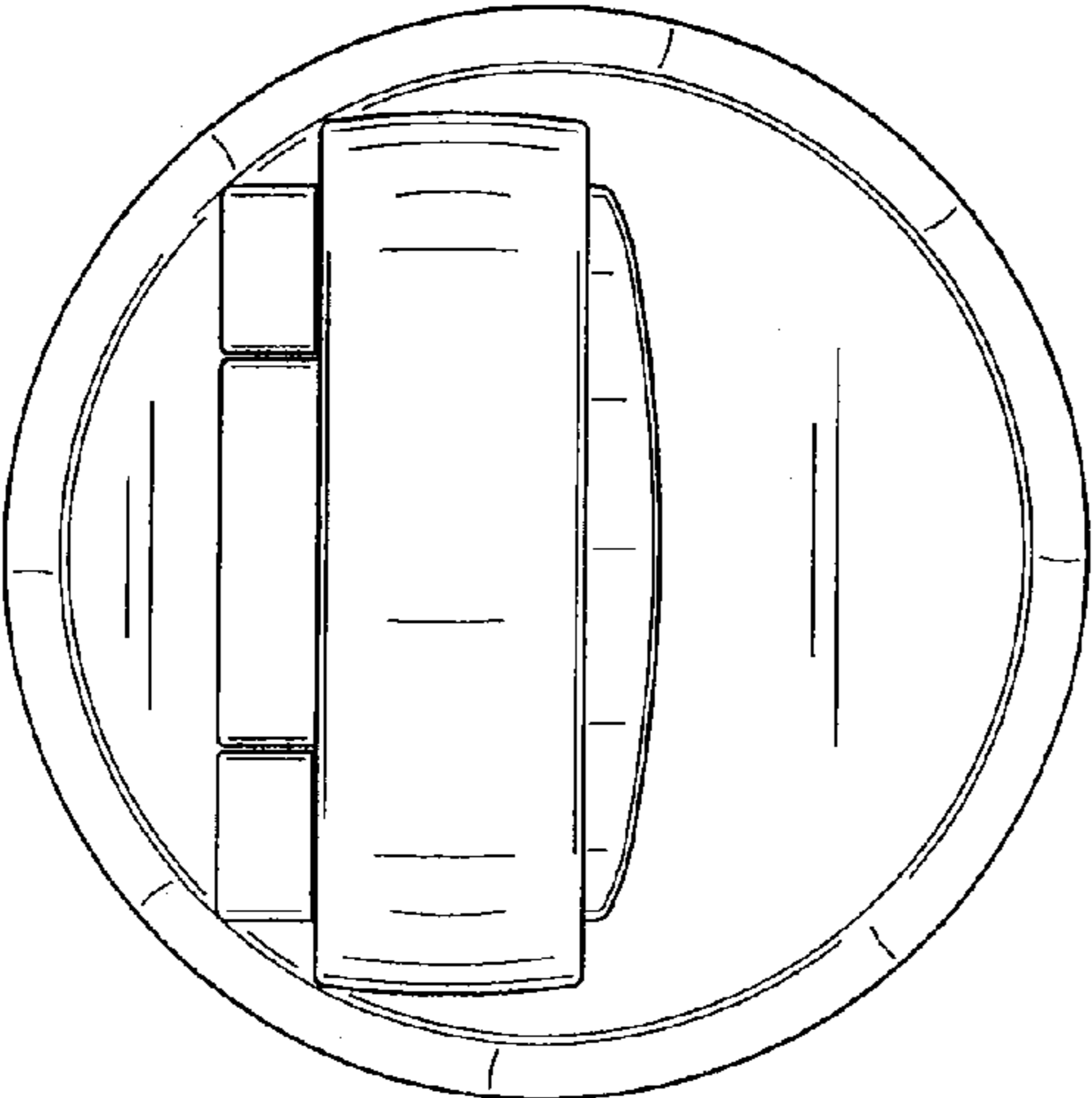


FIG. 1

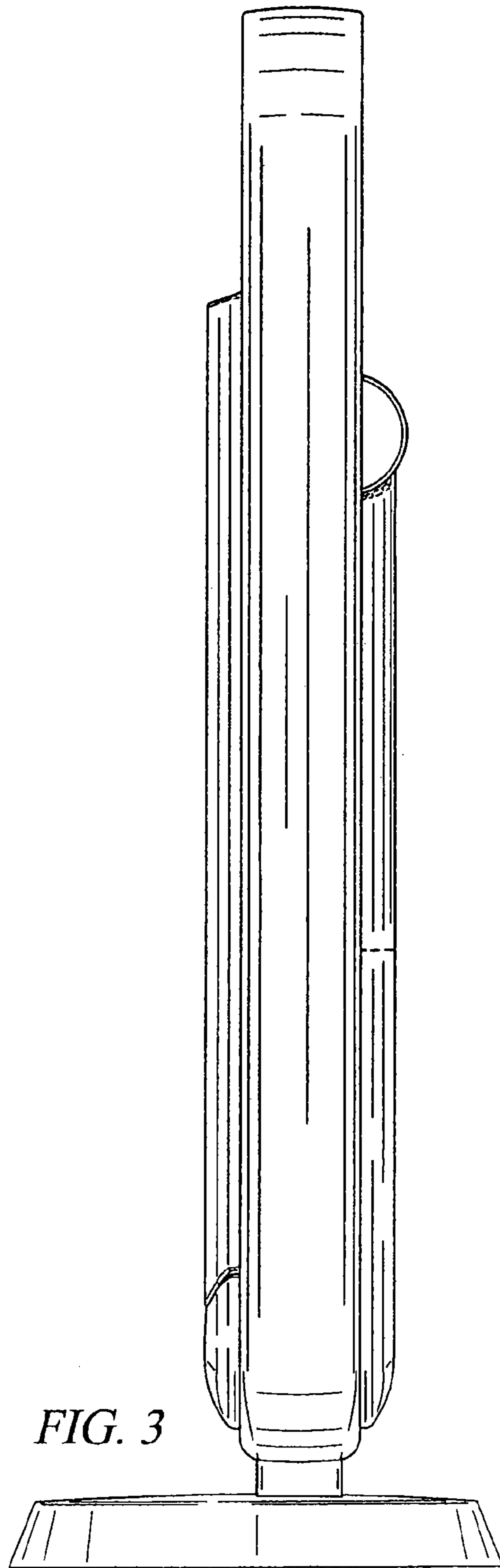
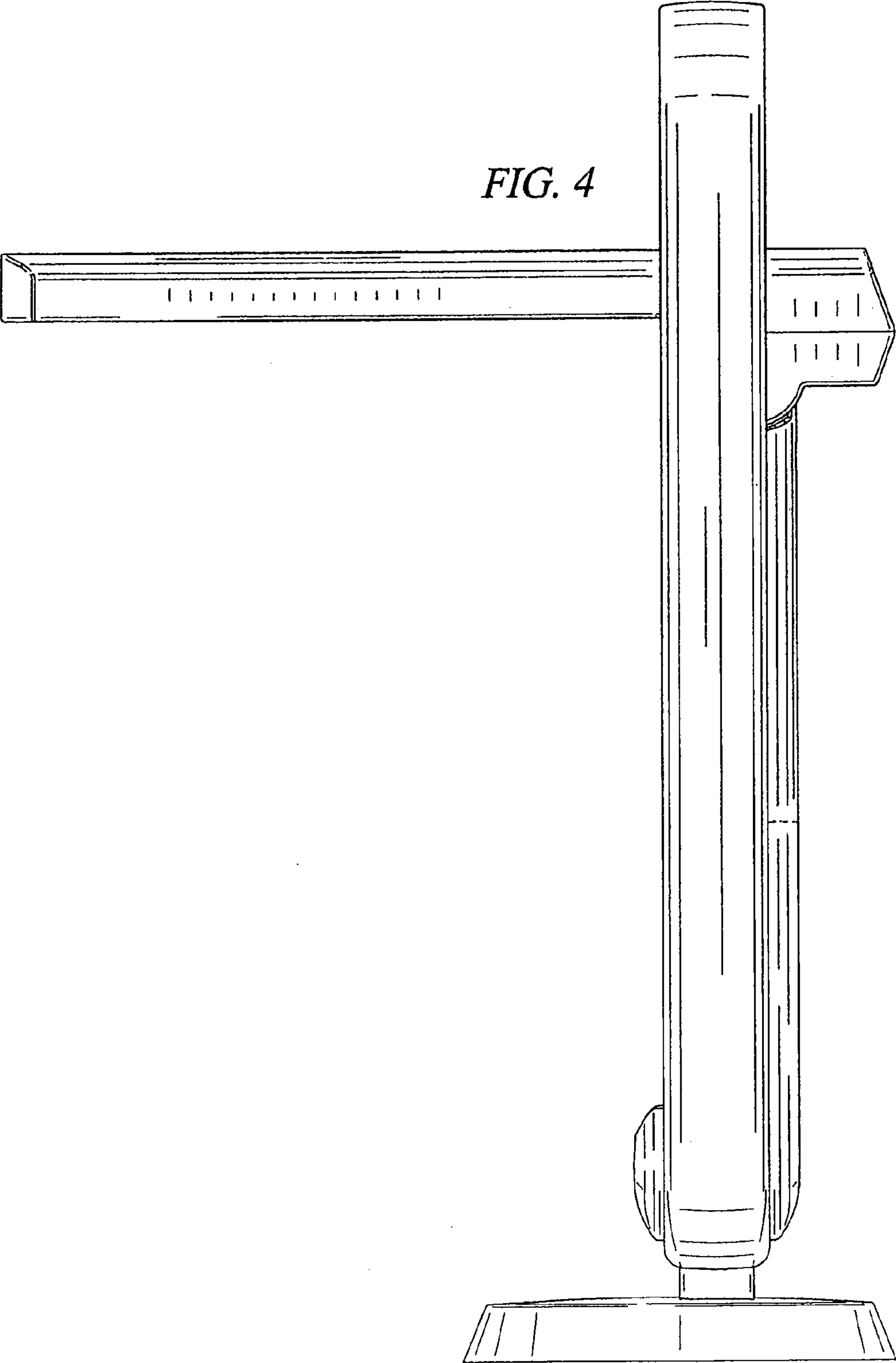
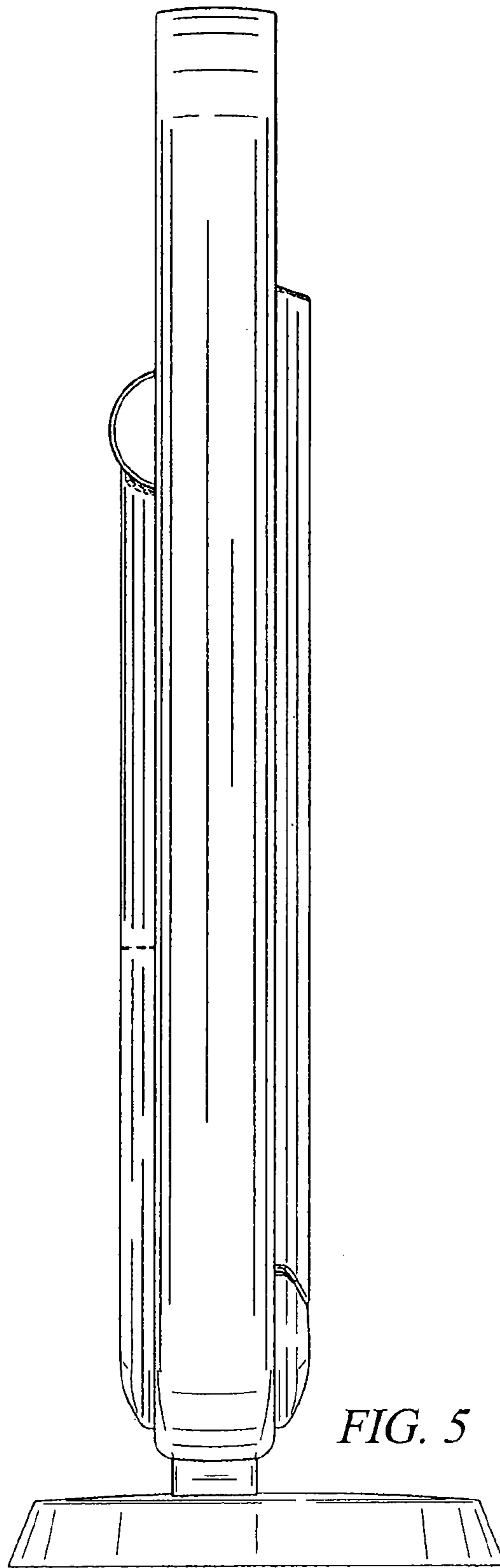
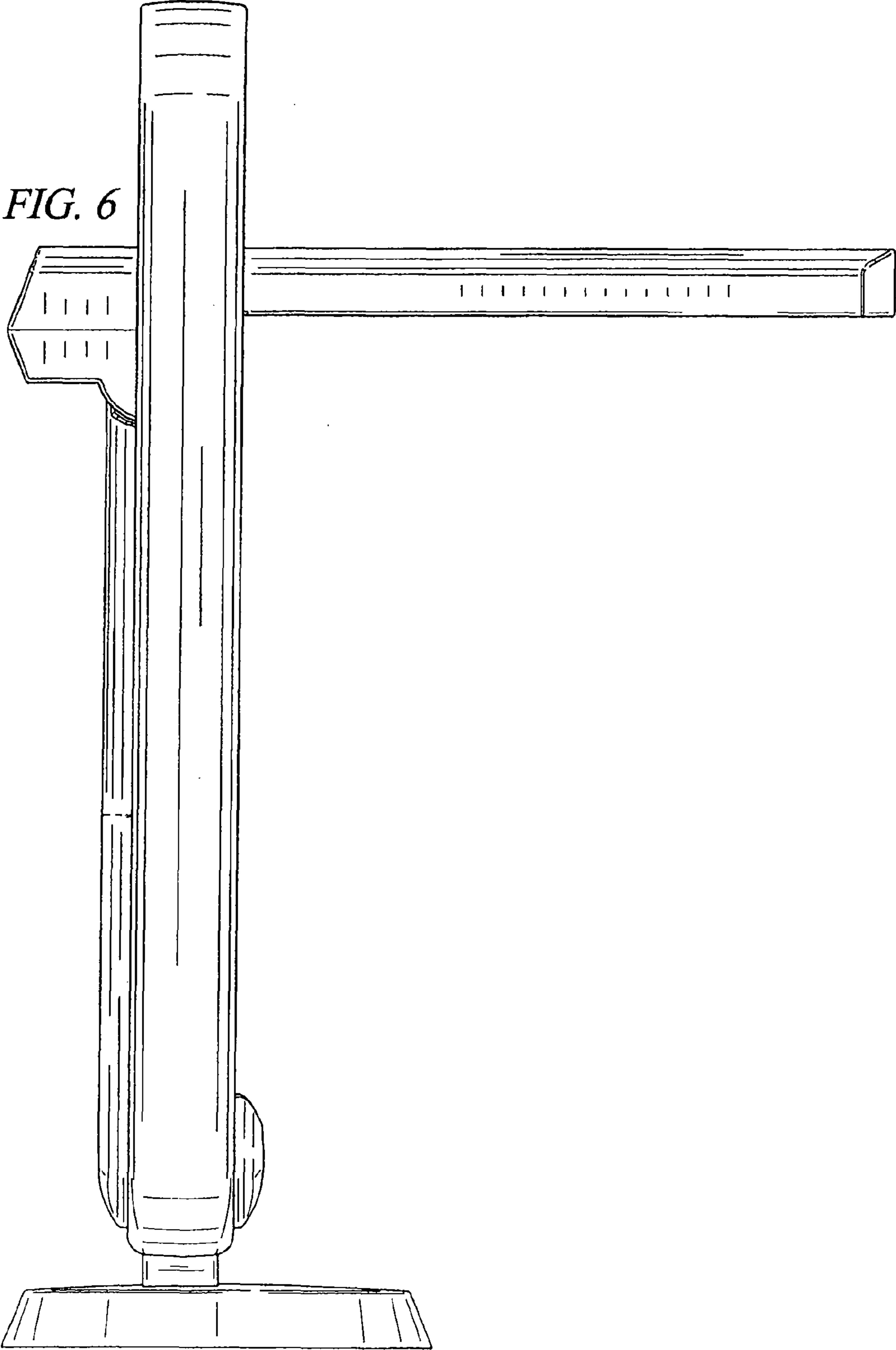


FIG. 4







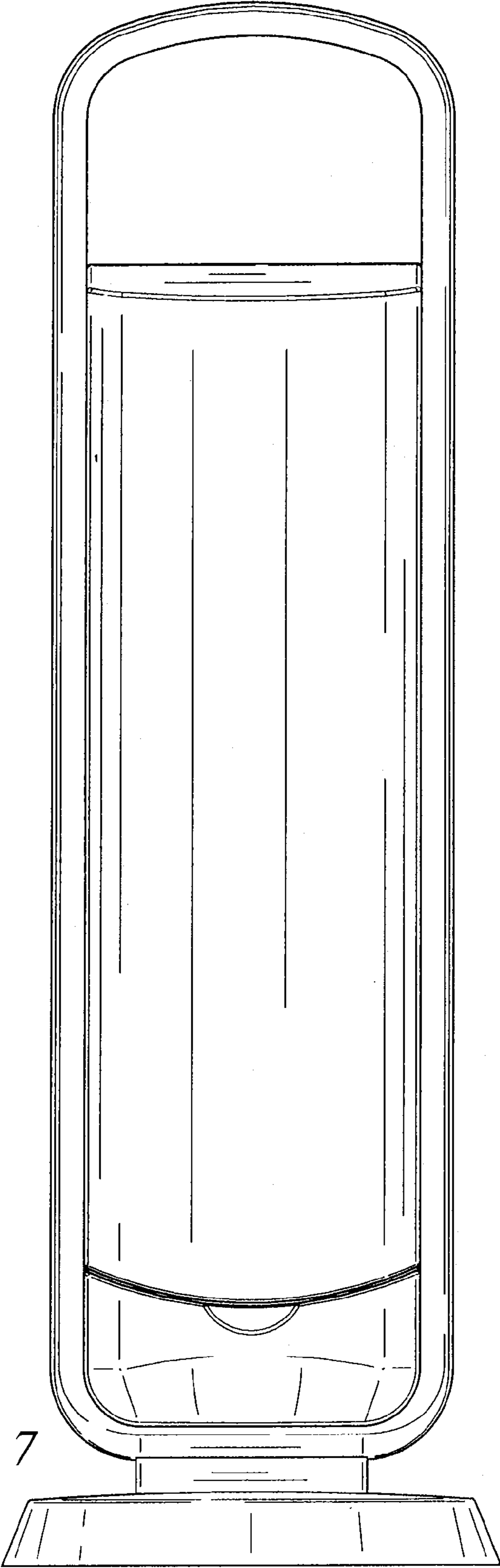
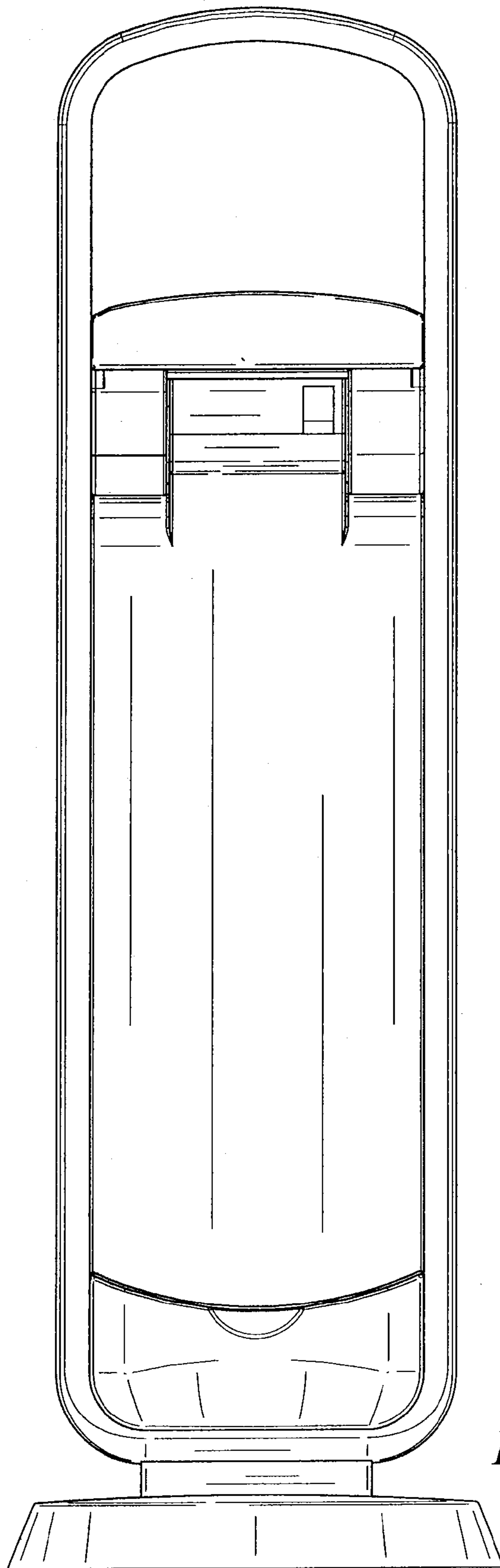


FIG. 7



*FIG. 8*



FIG. 9

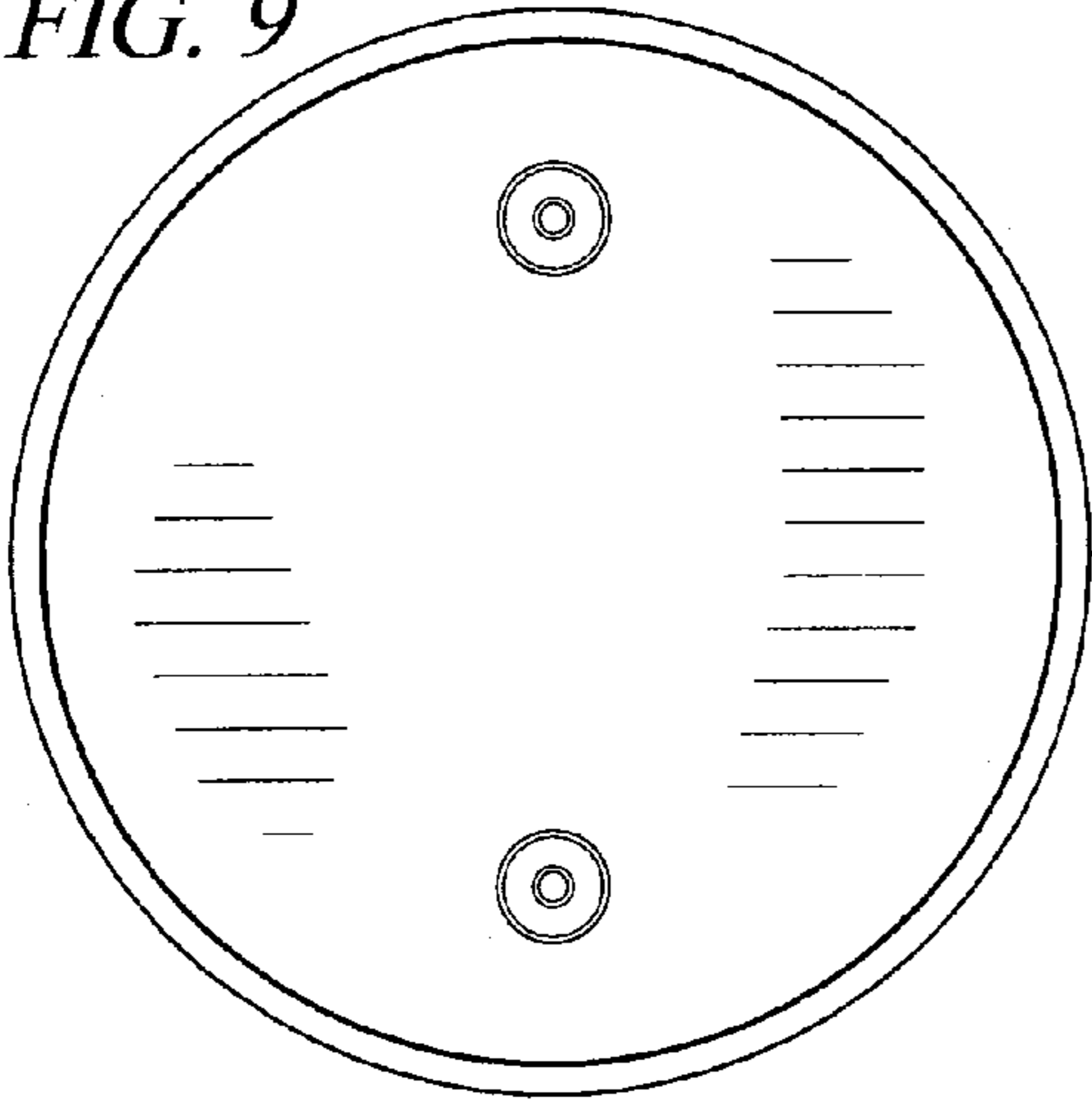
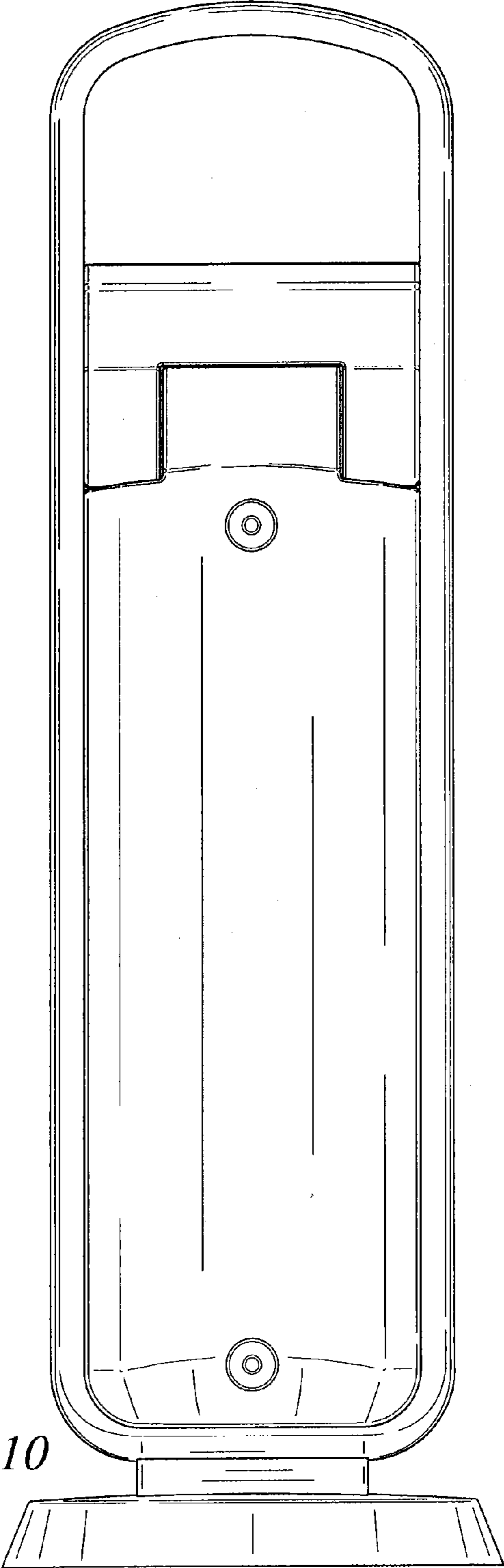
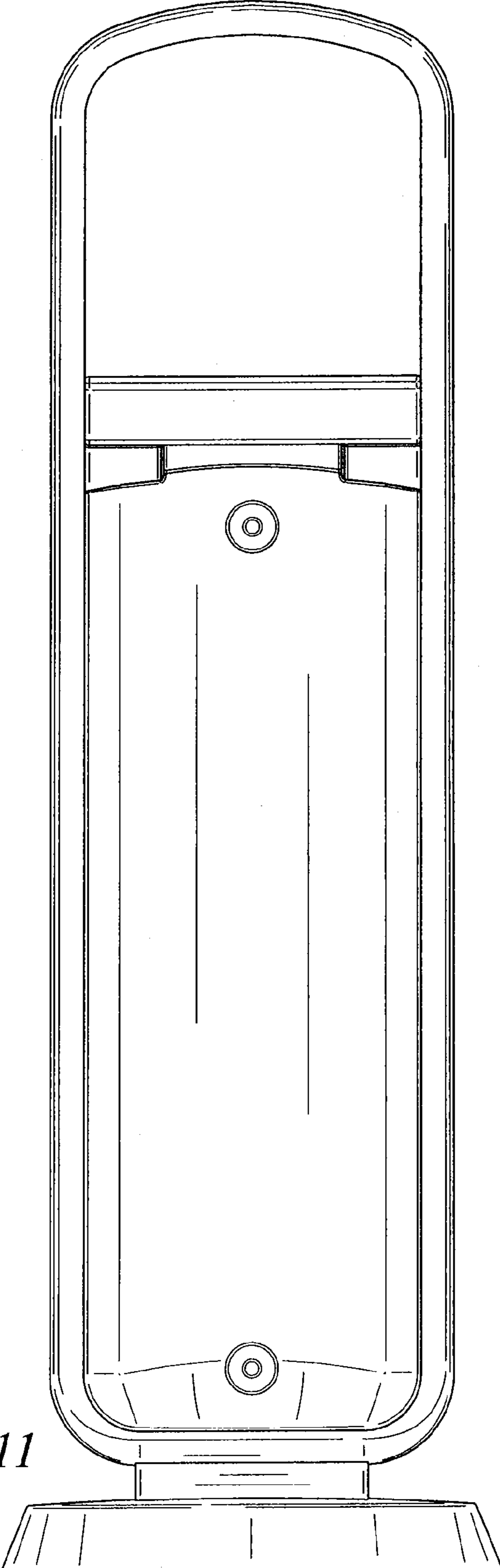
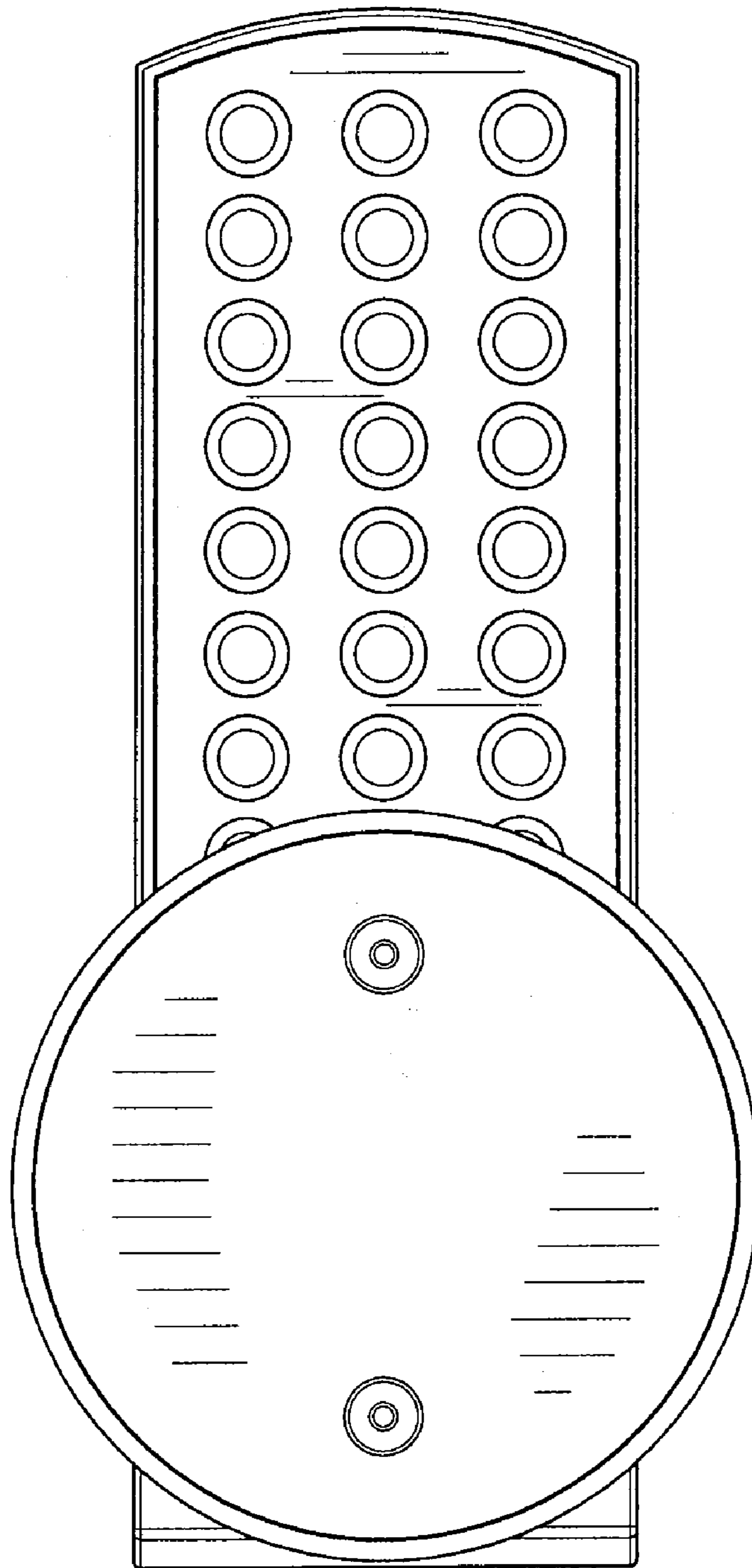


FIG. 10



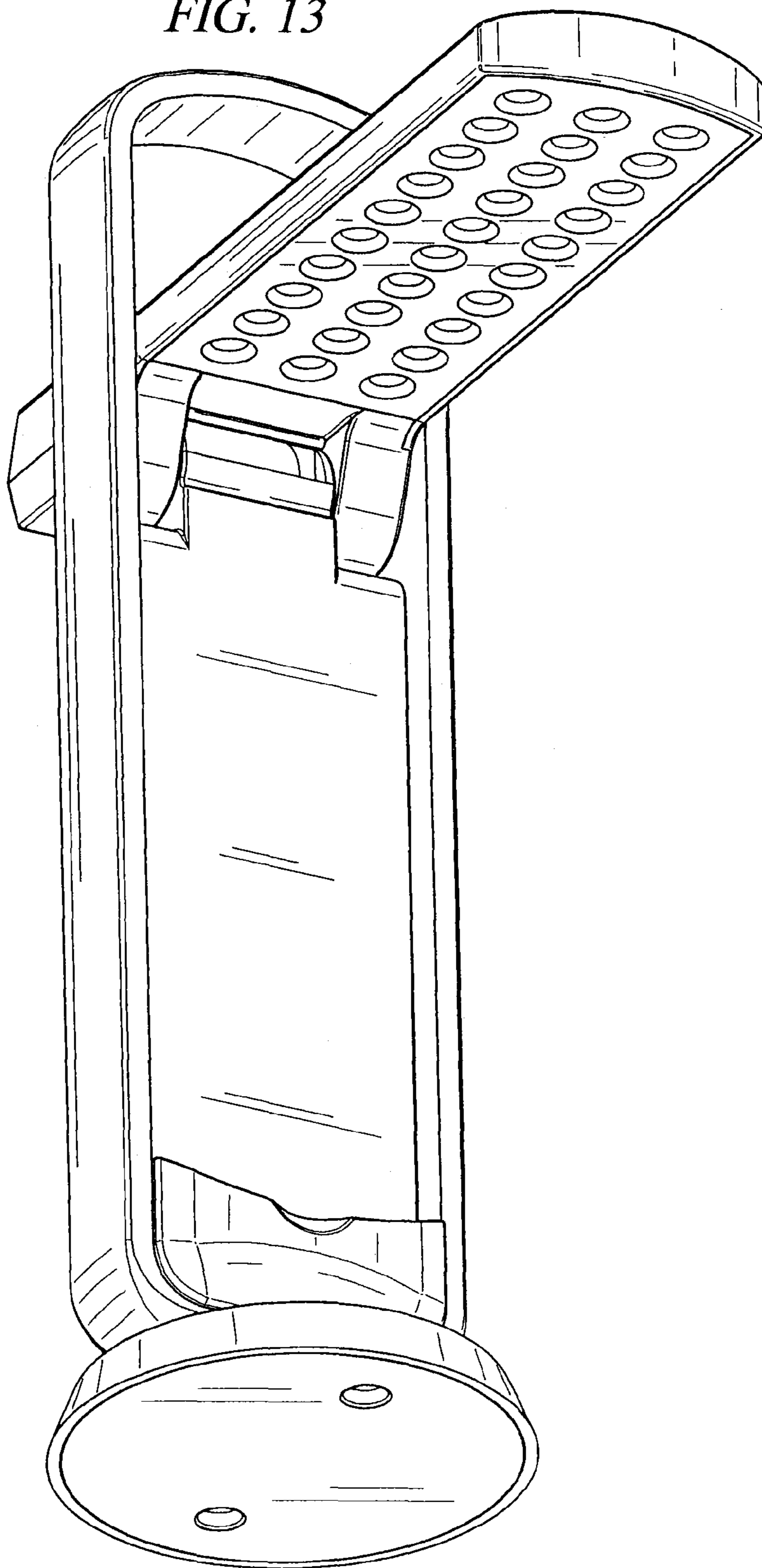


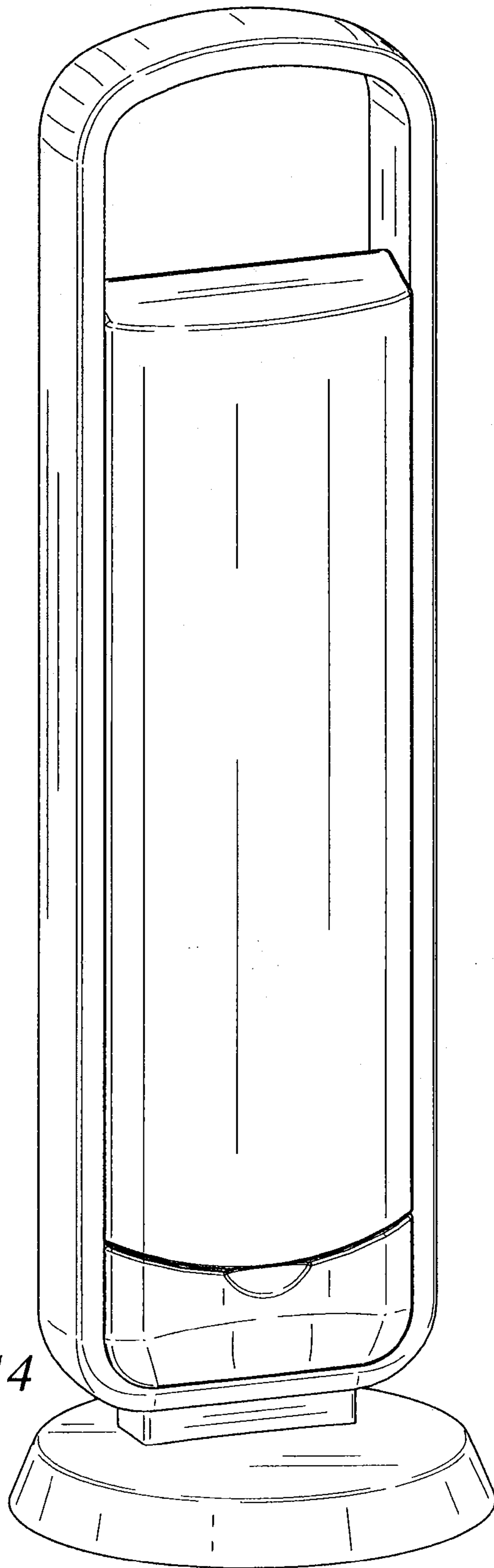
*FIG. 11*



*FIG. 12*

FIG. 13





*FIG. 14*