



US00D615680S

(12) **United States Design Patent**  
**Kim**

(10) **Patent No.:** **US D615,680 S**

(45) **Date of Patent:** **\*\* May 11, 2010**

(54) **LIGHTING DEVICE**

2007/0247839 A1 10/2007 Matthews

(75) Inventor: **Paul Y. Kim**, Santa Ana, CA (US)

**OTHER PUBLICATIONS**

(73) Assignee: **SureFire, LLC**, Fountain Valley, CA (US)

U.S. Appl. No. 12/391,491, Hunt, William A.  
U.S. Appl. No. 12/434,235, Kim, Paul Y.  
U.S. Appl. No. 12/434,250, Kim, Paul Y.  
SureFire catalog, Sainst ultra high output LED headlamp and Minimus compact ultra high output LED headlamp, Jan. 15, 2009, 1 page.  
Kroma — Flexible LED Flashlight with White, Blue & Red Beams from SureFire, [http://www.surefire.com/maxexp/main.pl?pgm=co\\_disp&strfnbr=6&prfnbr=24412&sesent=0,0&search\\_id=1344499](http://www.surefire.com/maxexp/main.pl?pgm=co_disp&strfnbr=6&prfnbr=24412&sesent=0,0&search_id=1344499), pp. 1 and 2.  
A2 Aviator LED Flashlight, [http://www.surefire.com/maxexp/main.pl?pgm=co\\_disp&func=displ&strfnbr=6&prfnbr=900&sesent=0,0&search\\_id=1344500](http://www.surefire.com/maxexp/main.pl?pgm=co_disp&func=displ&strfnbr=6&prfnbr=900&sesent=0,0&search_id=1344500), pp. 1 and 2.

(\*\*) Term: **14 Years**

(21) Appl. No.: **29/336,367**

(22) Filed: **May 1, 2009**

(51) **LOC (9) Cl.** ..... **26-02**

(52) **U.S. Cl.** ..... **D26/39**

(58) **Field of Classification Search** ..... D26/37,  
D26/38, 39, 46, 49, 50; 362/157, 158, 184,  
362/194–196, 190, 200–208

See application file for complete search history.

(Continued)

*Primary Examiner*—Ian Simmons  
*Assistant Examiner*—Carissa C Fitts

(56) **References Cited**

(74) *Attorney, Agent, or Firm*—Haynes and Boone, LLP

**U.S. PATENT DOCUMENTS**

(57) **CLAIM**

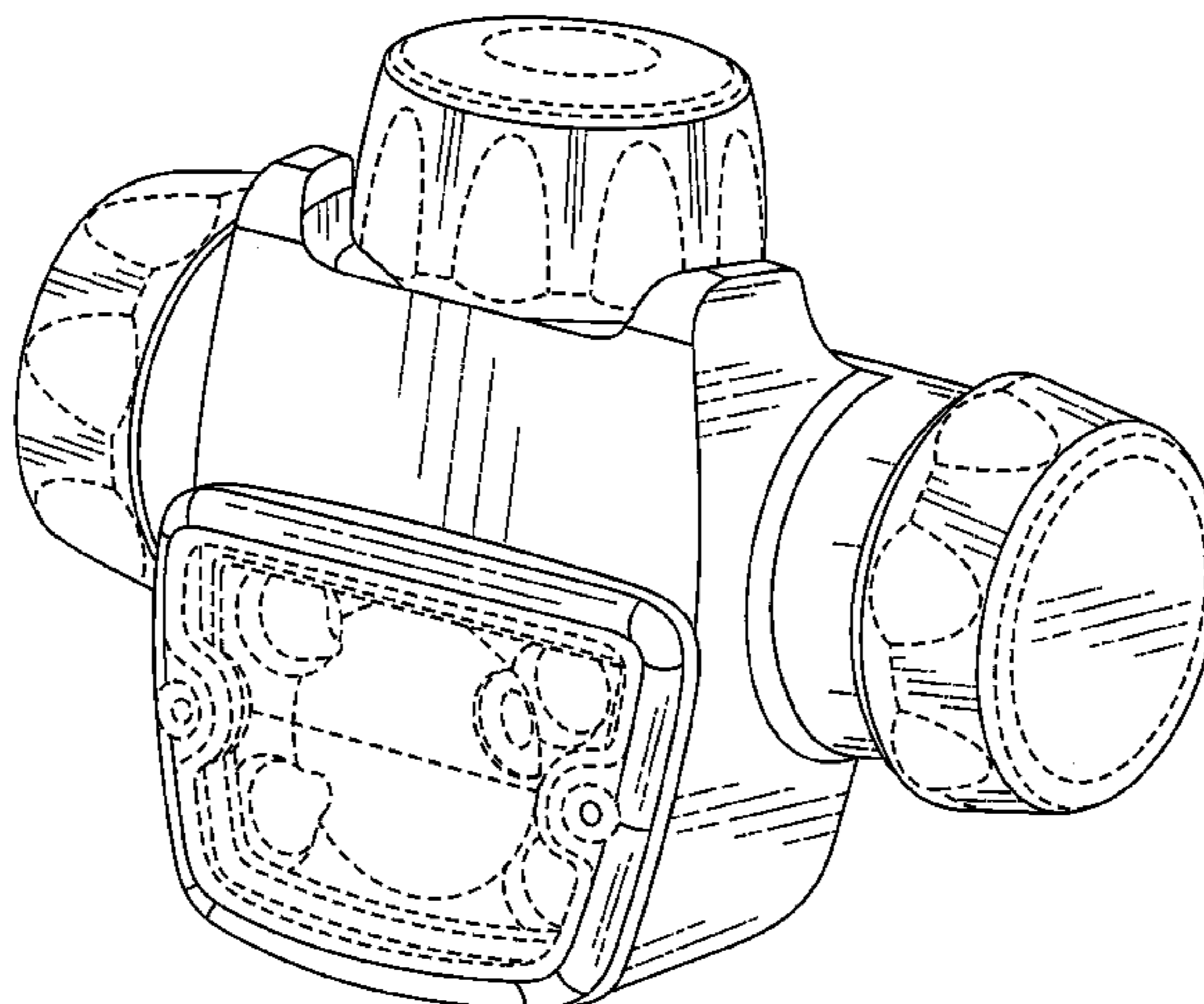
|                 |         |                 |        |
|-----------------|---------|-----------------|--------|
| D482,471 S      | 11/2003 | Shiu            |        |
| D482,472 S *    | 11/2003 | Shiu            | D26/39 |
| D482,473 S      | 11/2003 | Shiu            |        |
| D485,384 S *    | 1/2004  | Poon            | D26/39 |
| 6,736,529 B1    | 5/2004  | Lee             |        |
| 6,841,941 B2    | 1/2005  | Kim et al.      |        |
| D508,140 S *    | 8/2005  | Sharrah         | D26/39 |
| D525,734 S *    | 7/2006  | Shiao           | D26/39 |
| D529,213 S *    | 9/2006  | Shiu            | D26/39 |
| D531,335 S *    | 10/2006 | Garrity         | D26/39 |
| D534,289 S *    | 12/2006 | Shiu            | D26/39 |
| D536,115 S *    | 1/2007  | Shiu            | D26/39 |
| 7,186,002 B2    | 3/2007  | Matthews et al. |        |
| 7,220,016 B2    | 5/2007  | Matthews et al. |        |
| D552,775 S *    | 10/2007 | Shiu            | D26/39 |
| D553,277 S *    | 10/2007 | Ho et al.       | D26/39 |
| 7,293,893 B2    | 11/2007 | Kim             |        |
| RE40,027 E      | 1/2008  | Matthews        |        |
| 7,344,270 B2    | 3/2008  | Kim             |        |
| D579,133 S *    | 10/2008 | Shiu            | D26/39 |
| 7,513,660 B2    | 4/2009  | Spartano et al. |        |
| 2005/0237737 A1 | 10/2005 | Kim             |        |
| 2007/0195522 A1 | 8/2007  | Matthews        |        |

The ornamental design for a lighting device, as shown and described.

**DESCRIPTION**

FIG. 1 is a front perspective view of a lighting device showing my new design;  
FIG. 2 is a rear perspective view thereof;  
FIG. 3 is a top plan view thereof;  
FIG. 4 is a bottom plan view thereof;  
FIG. 5 is a left side elevational view thereof;  
FIG. 6 is a right side elevational view thereof;  
FIG. 7 is a front side elevational view thereof; and,  
FIG. 8 is a rear side elevational view thereof.  
The dashed lines in FIGS. 1–8 are shown for illustrative purposes and form no part of the claimed design.

**1 Claim, 6 Drawing Sheets**



OTHER PUBLICATIONS

Surefire 9AN Commander — 9AN000 Rechargeable Flashlight, [http://www.surefire.com/maxexp/main.pl?pgm=co\\_disp&func=displ&strfnbr=6&prfnbr=949&sesent=0,0&search\\_id=1344503](http://www.surefire.com/maxexp/main.pl?pgm=co_disp&func=displ&strfnbr=6&prfnbr=949&sesent=0,0&search_id=1344503), pp. 1 and 2.

Norman, LH500 Lamphead, 810788, B&H Photo Video, [http://www.bhphotovideo.com/c/product/38326-Reg/Norman\\_810788\\_LH500\\_Lamphead.html](http://www.bhphotovideo.com/c/product/38326-Reg/Norman_810788_LH500_Lamphead.html), pp. 1 and 2.

X-Zoom — Headlamps — Mammut, [http://www.mammut.ch/en/productDetail/232000120\\_v\\_0001X-Zoom.html](http://www.mammut.ch/en/productDetail/232000120_v_0001X-Zoom.html), pp. 1 and 2.

Headlamps & Lights: Headlamps Rescue & Outdoor Sporting, [http://www.urbanhart.com/shopsite/headlampslights\\_headlamps.html](http://www.urbanhart.com/shopsite/headlampslights_headlamps.html), pp. 1-15.

First Light USA, <http://www.first-light-usa.com/tomahawkmain.php>, pp. 1-9.

Streamlight Sidewinder Tactical LED Flashlight, <http://www.streamlight-flashlights.com/sidewinder.html>, pp. 1 and 2.

Buickmasters Camo Twin-Task 2L Hunting Flashlight — 51025, <http://www.streamlight-flashlights.com/51025.html>, p. 1.

Amazon.com: Underwater Kinetics 3AAA Vizion eLED Headlamp: Sports & Outdoors, <http://www.amazon.com/Underwater-Kinetics-3AAA-Vizion-Headlamp/dp/B001G5ZG2K>, pp. 1-6.

Backpacker Magazine, Mammut X-Zoom, Apr. 2009, pp. 1 and 2.

\* cited by examiner

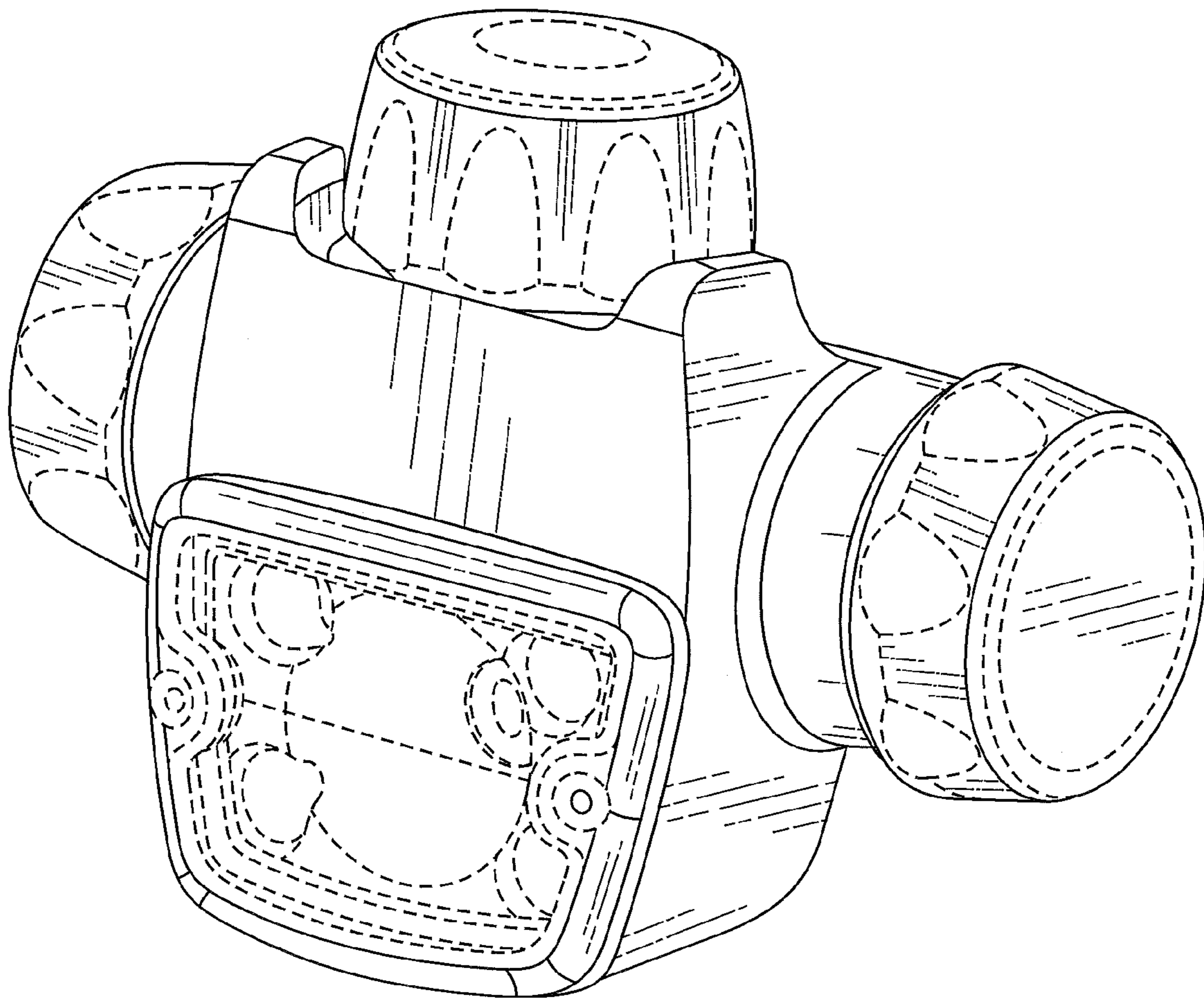


FIG. 1

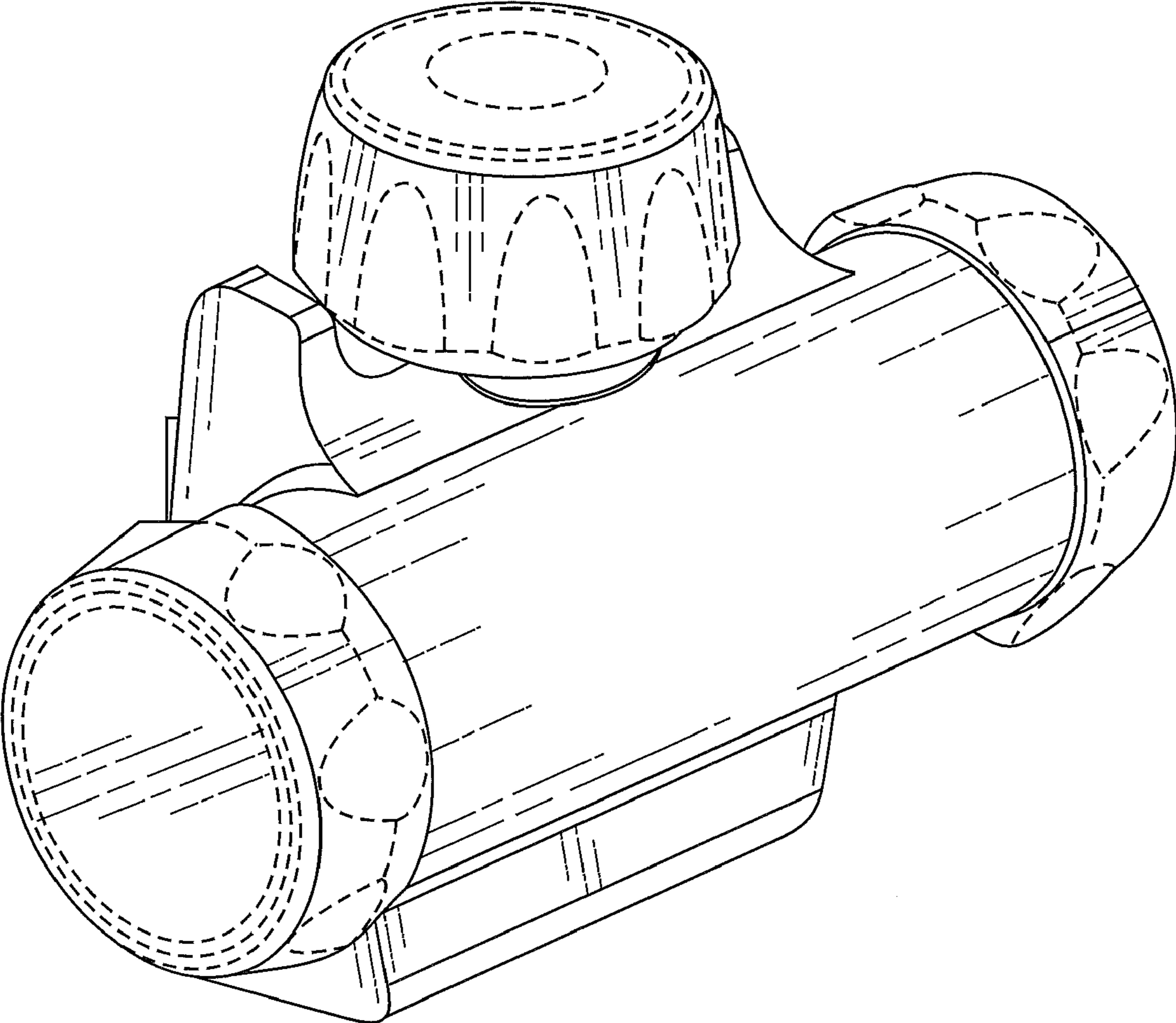


FIG. 2

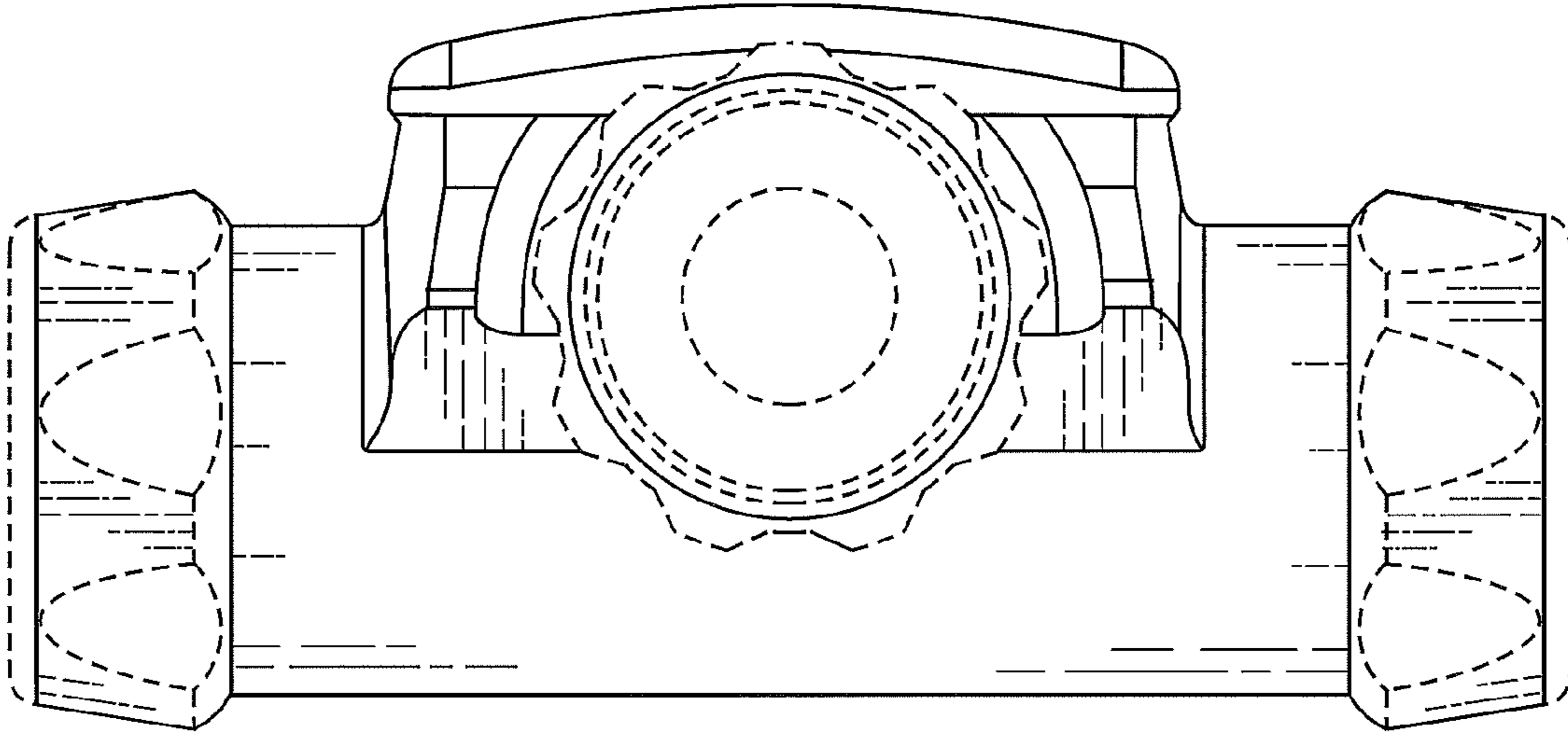


FIG. 3

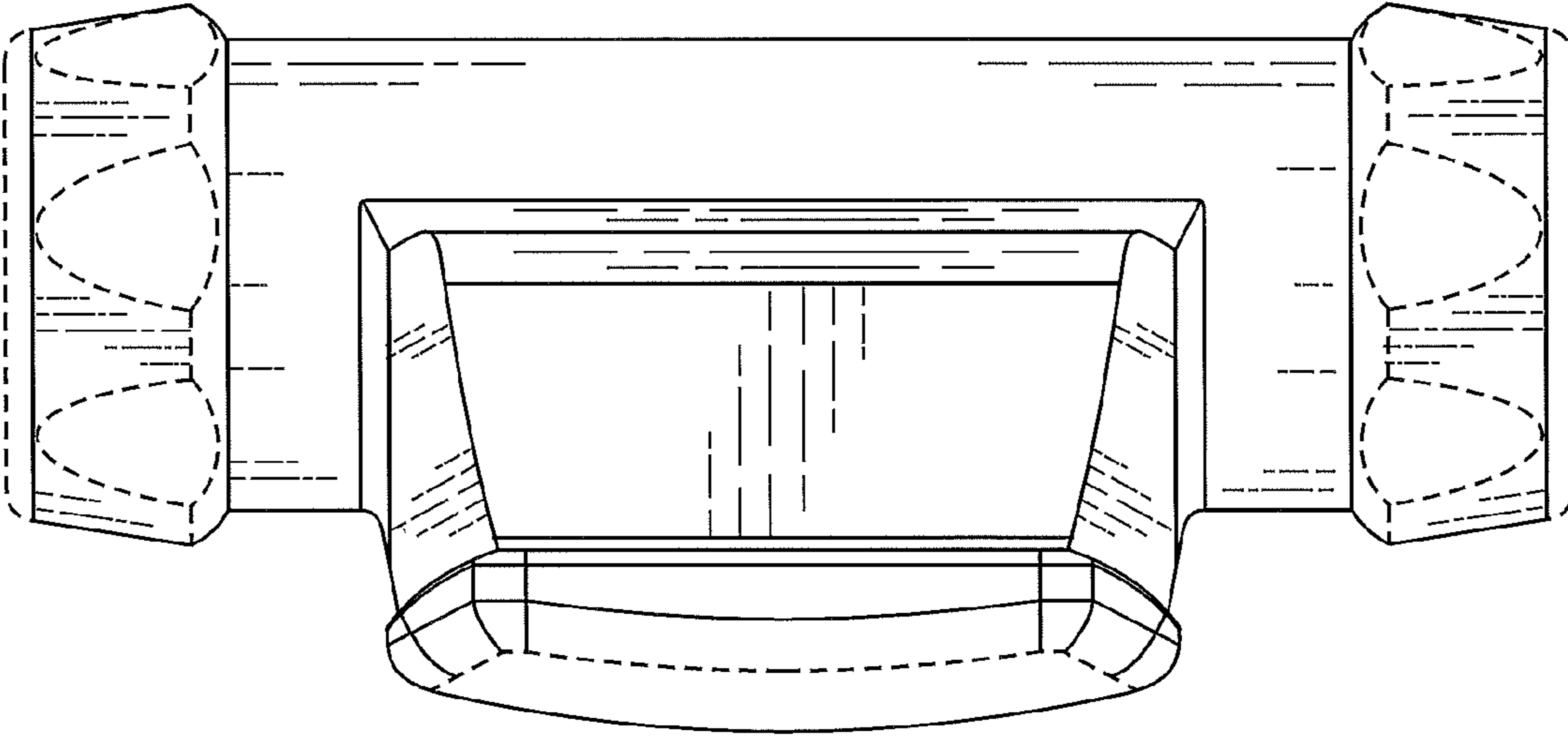


FIG. 4

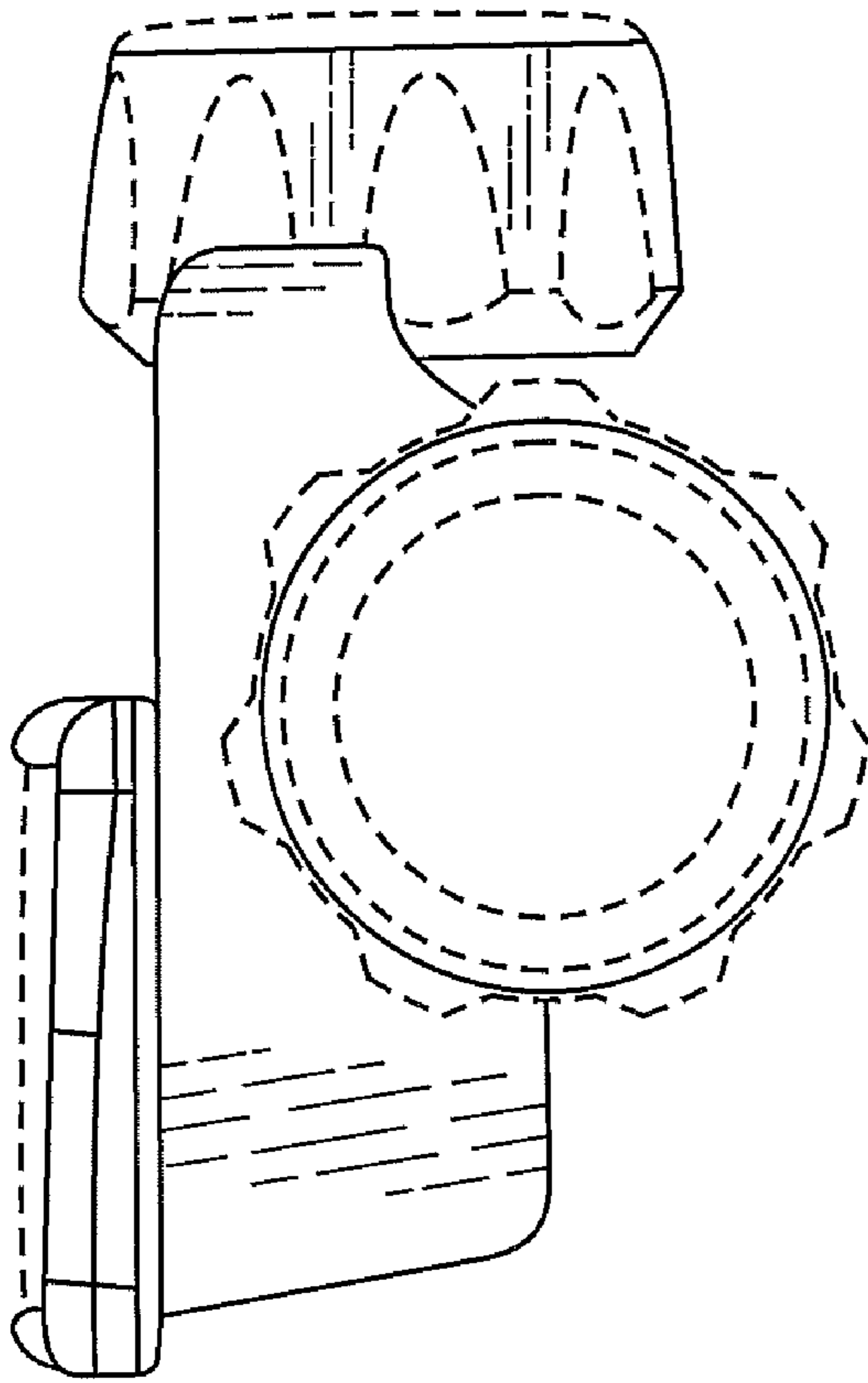


FIG. 5

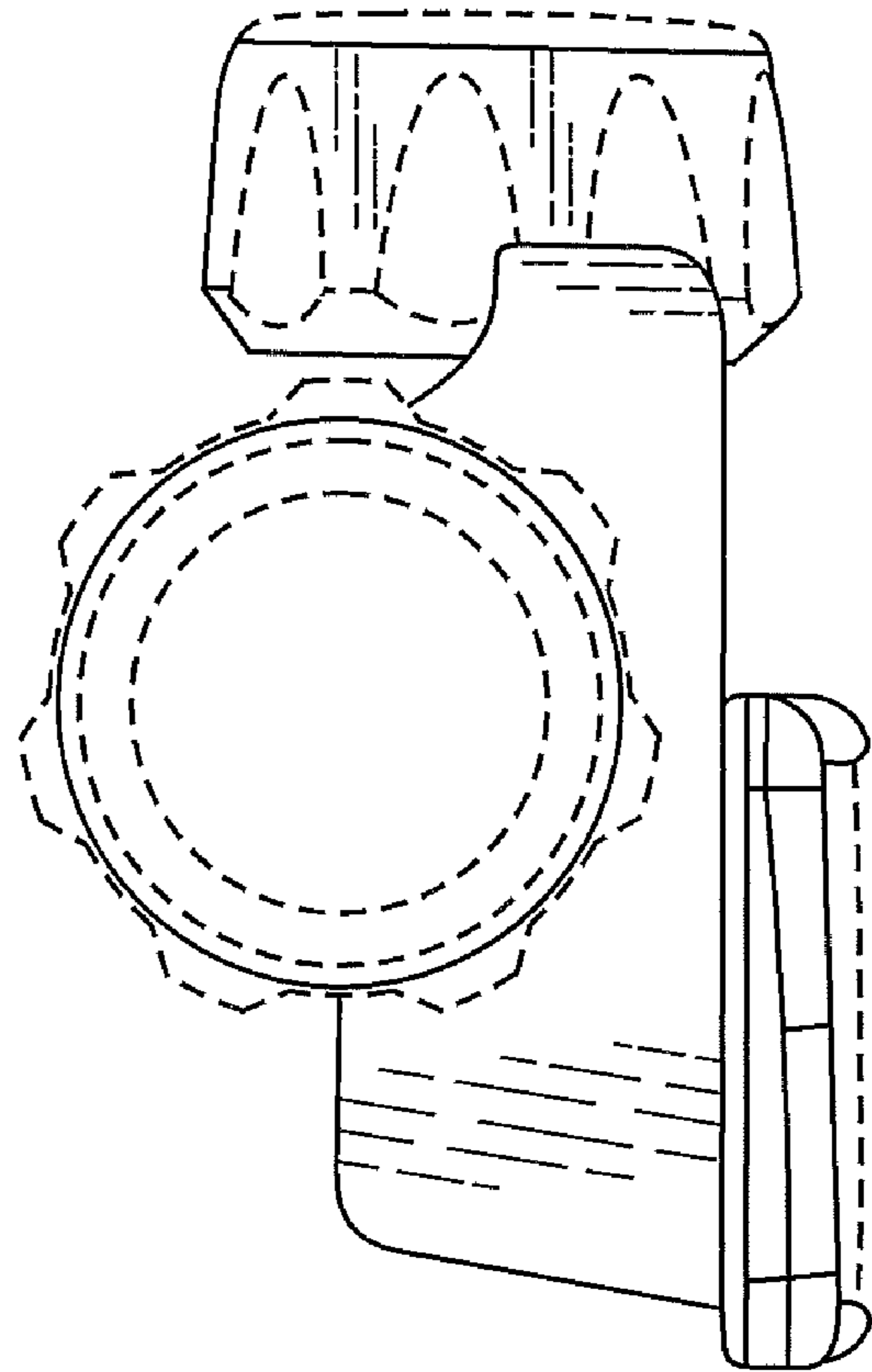


FIG. 6

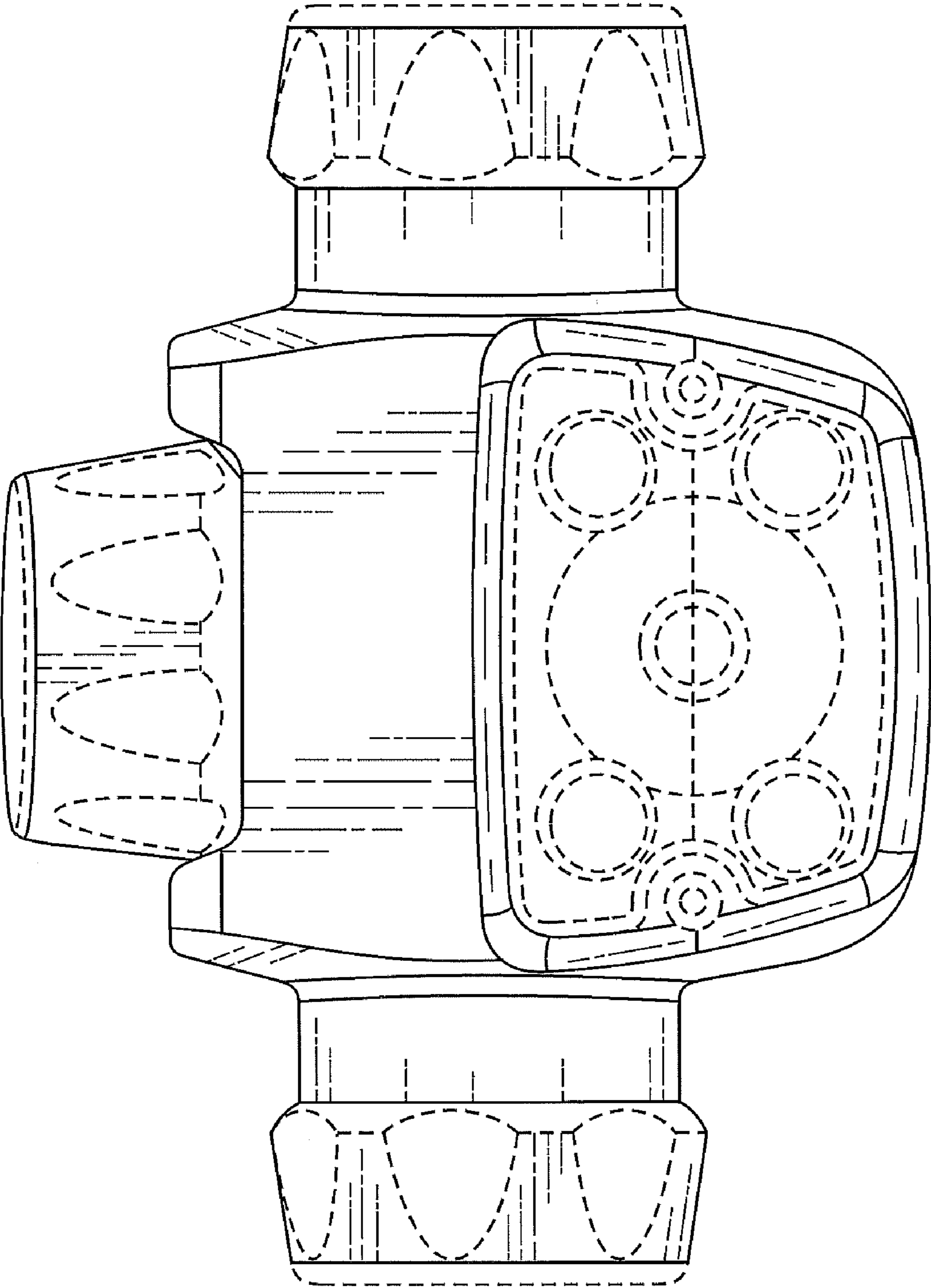


FIG. 7

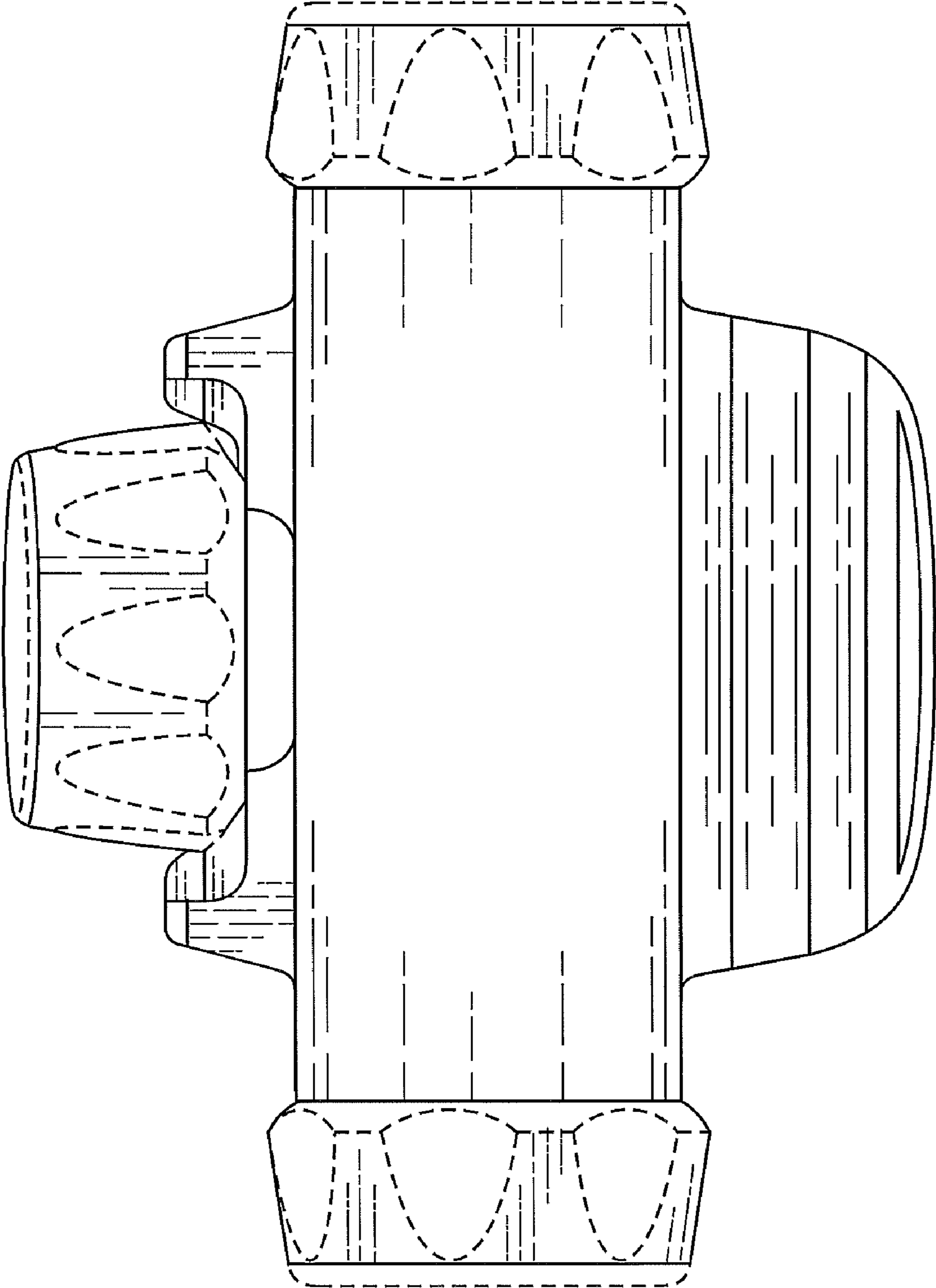


FIG. 8