



US00D615672S

(12) **United States Design Patent**
Lai

(10) **Patent No.:** **US D615,672 S**
(45) **Date of Patent:** **** May 11, 2010**

(54) **FLOOR BASE MODULE**

(76) Inventor: **Ying-Kuang Lai**, 3-8A, Yutingiu,
Yuyuan Garden, Yingbin Road,
Dongcheng District, Dongguan,
Guangdong (CN)

(**) Term: **14 Years**

(21) Appl. No.: **29/333,137**

(22) Filed: **Mar. 3, 2009**

(51) **LOC (9) Cl.** **25-01**

(52) **U.S. Cl.** **D25/158**

(58) **Field of Classification Search** D25/157,
D25/158; 52/387, 384, 403.1, 177
See application file for complete search history.

(56) **References Cited**

U.S. PATENT DOCUMENTS

D299,871 S *	2/1989	Jennings	D25/157
D455,503 S *	4/2002	Heltzer	D25/158
6,966,155 B2 *	11/2005	Nevison	52/177
2005/0223667 A1 *	10/2005	McCann et al.	52/403.1

* cited by examiner

Primary Examiner—Doris Clark

(74) *Attorney, Agent, or Firm*—Global IP Services; Tianhua Gu

(57) **CLAIM**

The ornamental design for a floor base module, as shown and described.

DESCRIPTION

FIG. 1 is a front view of a floor base module showing our new design;

FIG. 2 is a bottom view thereof;

FIG. 3 is a top view thereof;

FIG. 4 is a left side view thereof;

FIG. 5 is a right side view thereof;

FIG. 6 is a back view thereof;

FIG. 7 is a perspective view thereof;

FIG. 8 is an enlarged perspective view of the left front corner of FIG. 7.

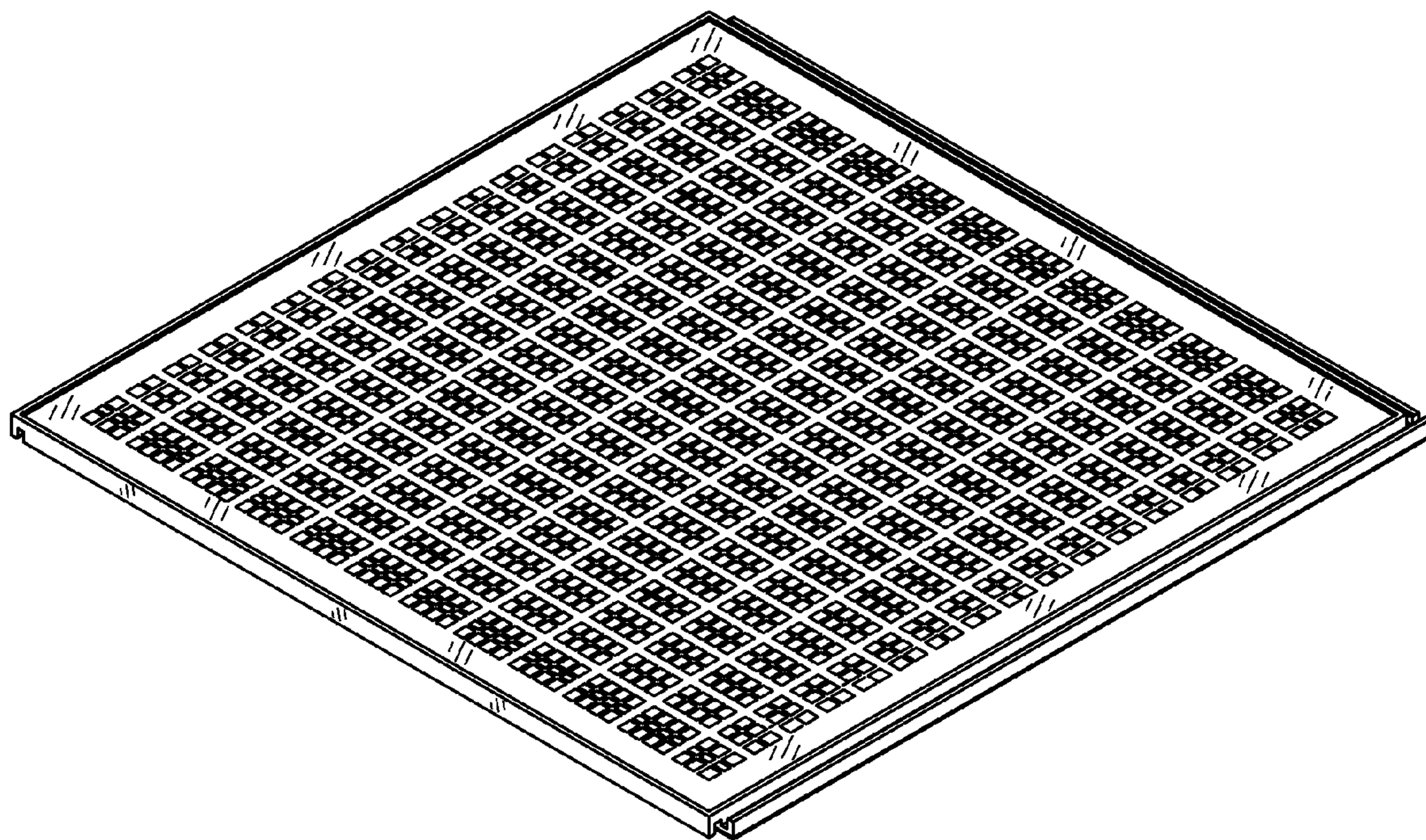
FIG. 9 is an enlarged perspective view of the right front corner of FIG. 7.

FIG. 10 is a perspective view showing one floor base module in use; and,

FIG. 11 is a right-back perspective view showing one floor base module in use.

The broken lines depict two additional pieces of the floor base module connected together to depict environmental use. The broken lines form no part of the claimed design.

1 Claim, 5 Drawing Sheets



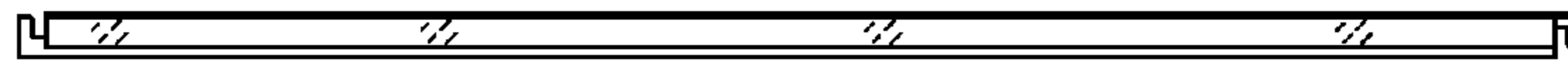


Fig. 3

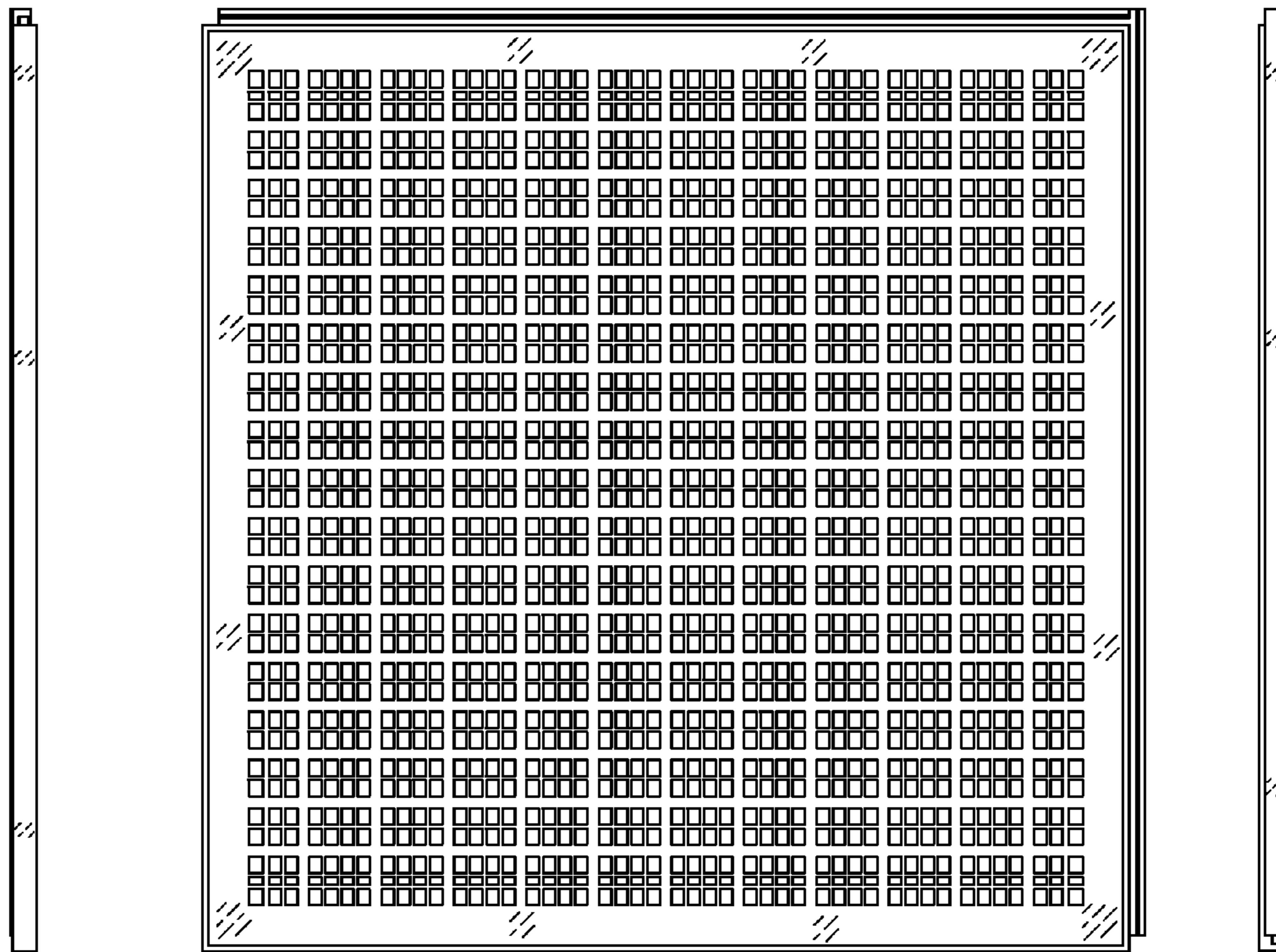


Fig. 4

Fig. 1

Fig. 5

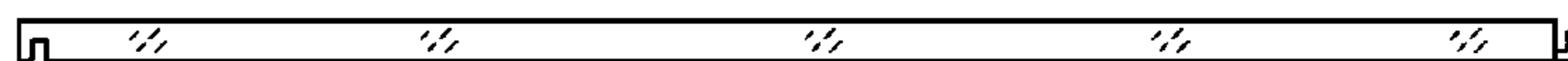


Fig. 2

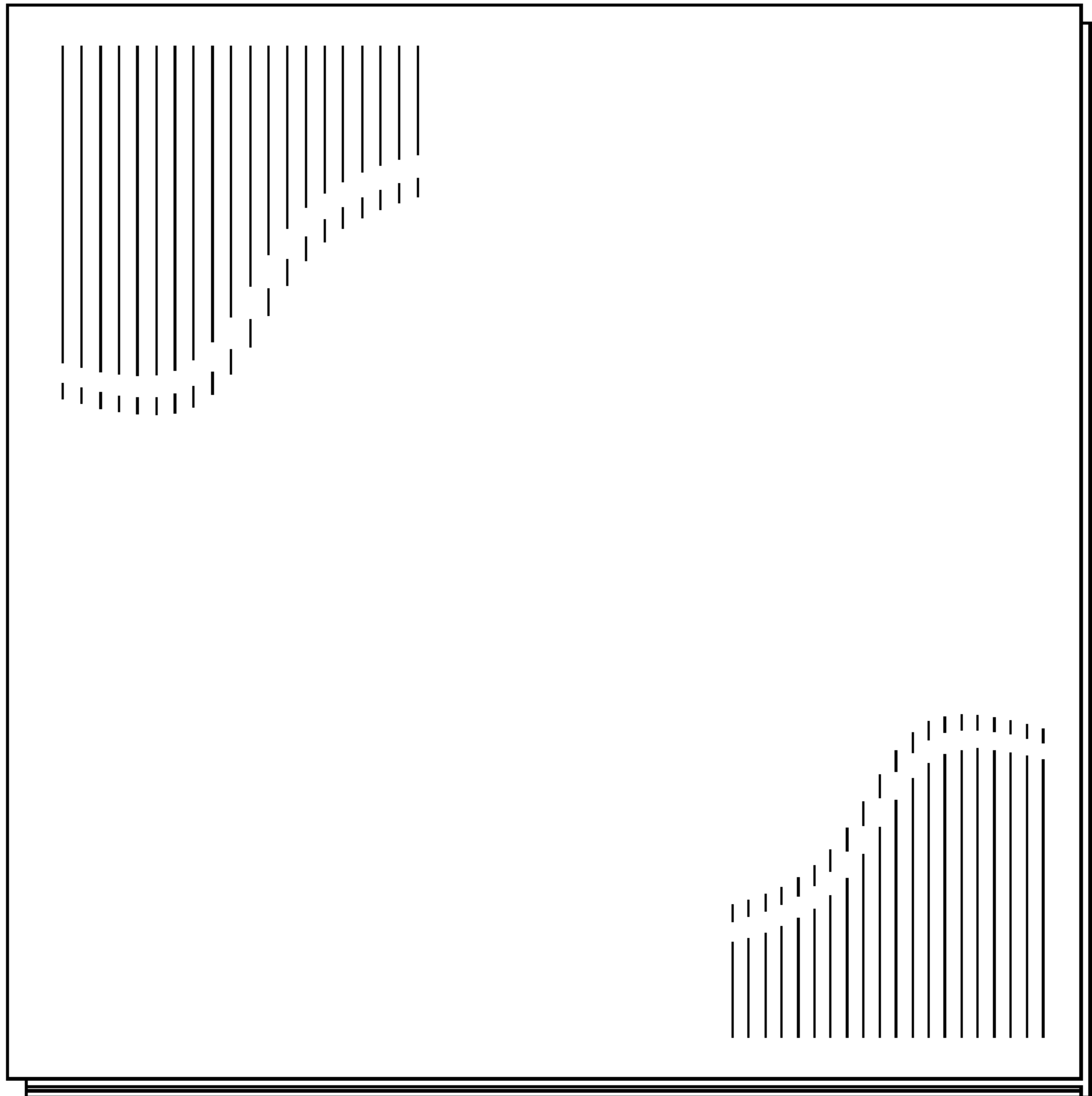


Fig. 6

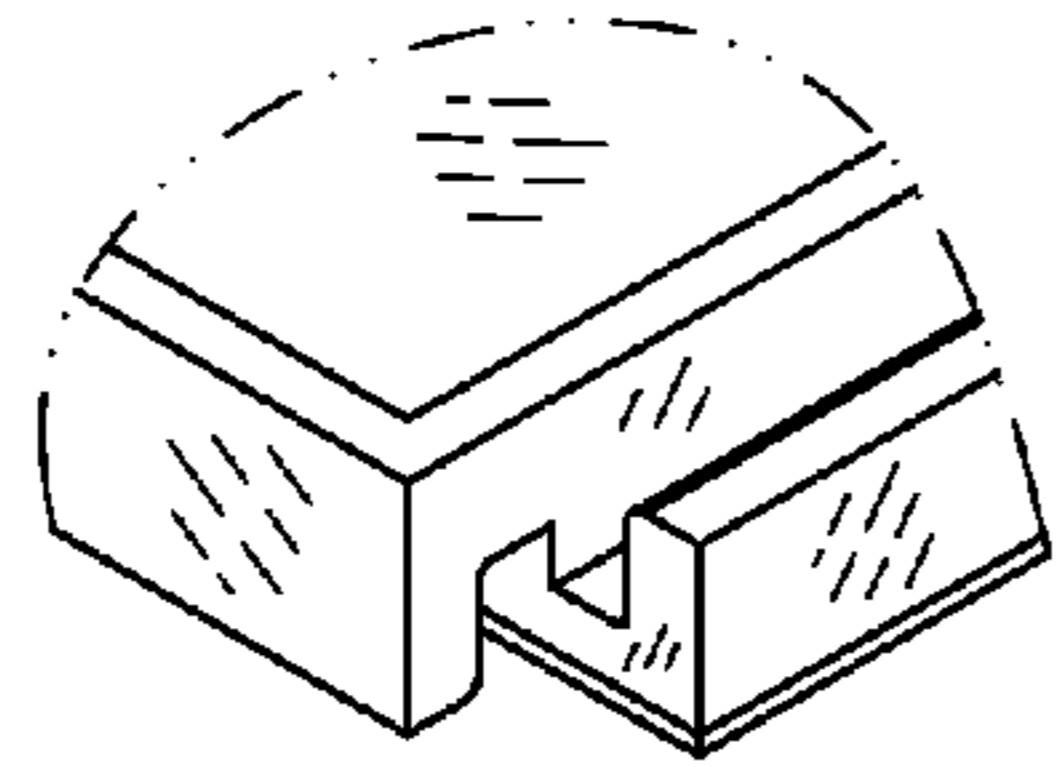


Fig. 8

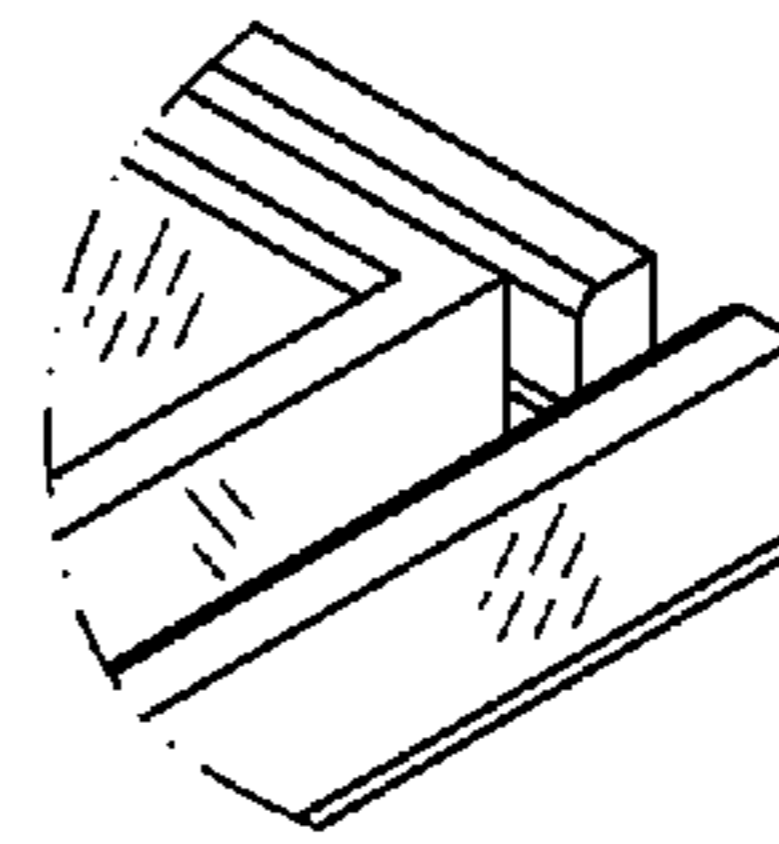


Fig. 9

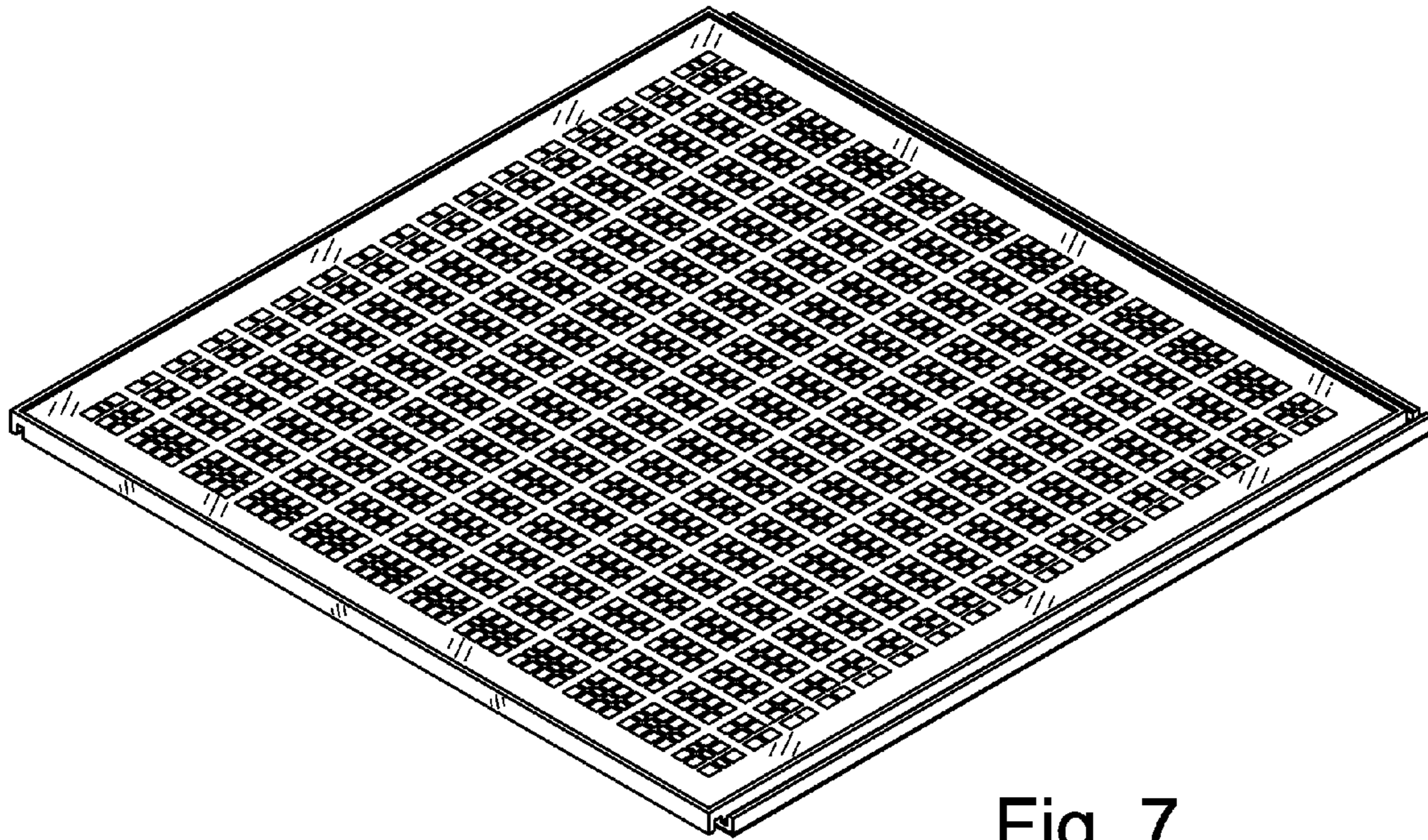


Fig. 7

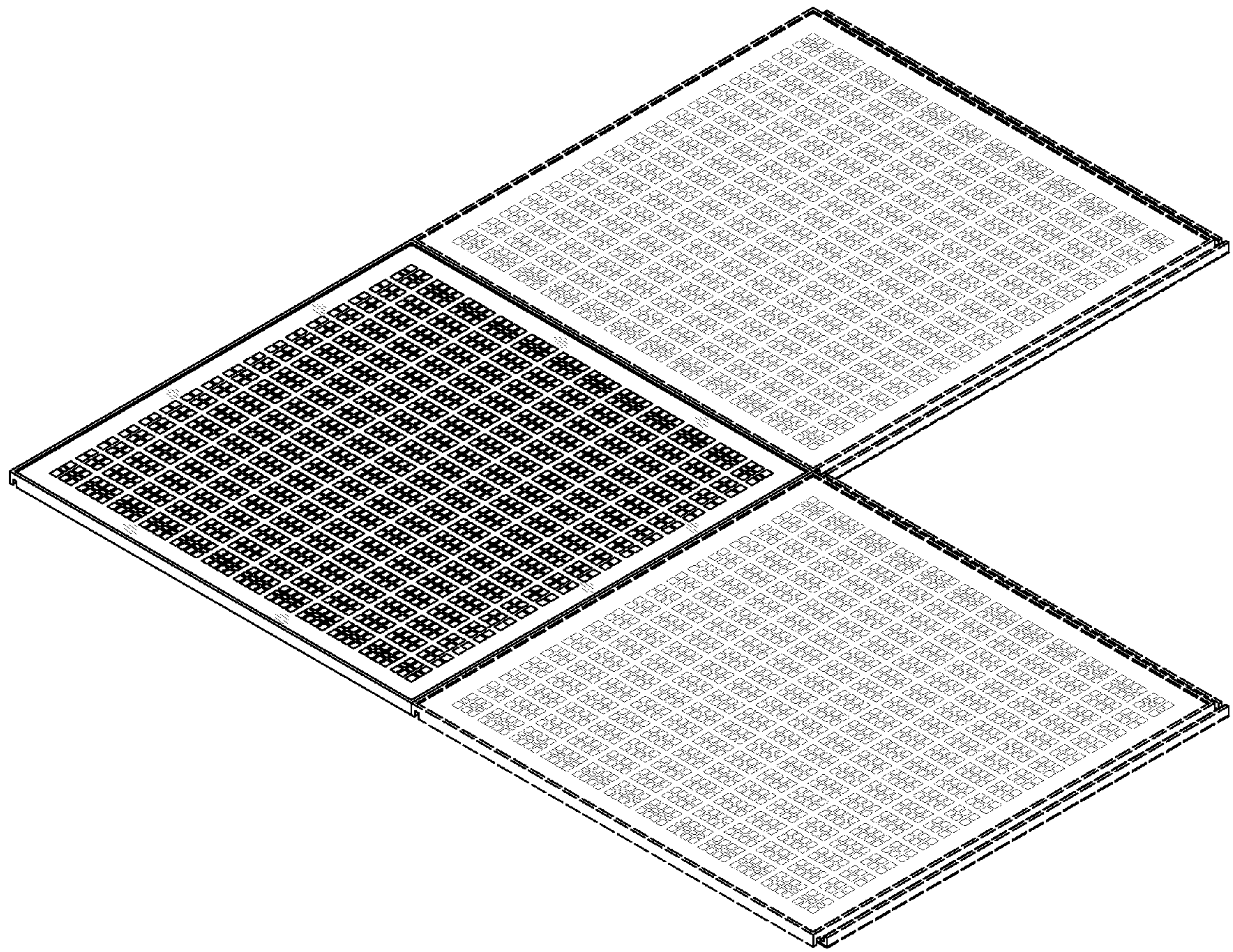


Fig. 10

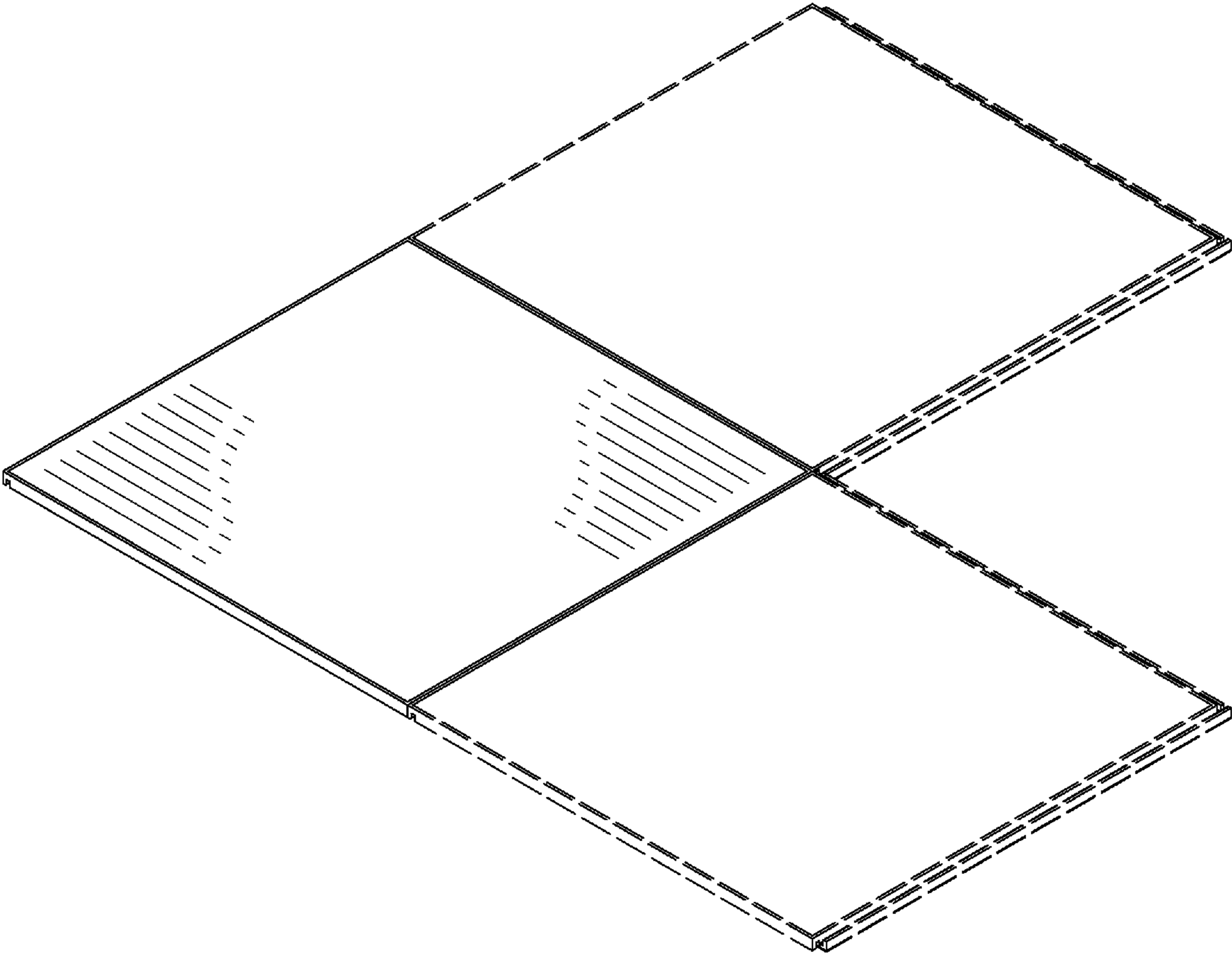


Fig. 11