



US00D615669S

(12) **United States Design Patent**
Caggiano

(10) **Patent No.:** **US D615,669 S**
(45) **Date of Patent:** **** May 11, 2010**

(54) **BLOCK STRUCTURE FOR RETAINING WALL SYSTEM**

(76) Inventor: **Luciano Caggiano**, 1260 Bloomfield Ave., Bearfield, NJ (US) 07004

(**) Term: **14 Years**

(21) Appl. No.: **29/316,533**

(22) Filed: **Oct. 6, 2009**

(51) **LOC (9) Cl.** **25-01**

(52) **U.S. Cl.** **D25/114**

(58) **Field of Classification Search** D25/102,
D25/112-118; D21/484-486; 52/503-505,
52/574, 575, 596, 600-605; 405/284, 286;
404/29, 30, 34, 37, 41, 42

See application file for complete search history.

(56) **References Cited**

U.S. PATENT DOCUMENTS

D281,628 S *	12/1985	dos Santos	D25/118
D284,308 S *	6/1986	Risi et al.	D25/118
4,745,720 A	5/1988	Taylor	52/405.1
D319,316 S *	8/1991	van Weerden et al.	D25/118
5,252,017 A	10/1993	Hodel	411/446
5,505,034 A	4/1996	Dueck	52/604
5,642,968 A	7/1997	Anderson	405/286
5,735,643 A	4/1998	Castonguay	405/286
5,865,006 A	2/1999	Dawson	52/604
D441,464 S *	5/2001	Pribyl	D25/118
6,431,798 B1	8/2002	Magliocco	405/286

6,543,969 B1	4/2003	Adam	405/284
6,615,561 B2	9/2003	MacDonald	52/606
6,622,445 B1	9/2003	Shillingburg	52/606
6,695,544 B2	2/2004	Knudson	405/284
D496,738 S *	9/2004	Sherman	D25/115
6,912,823 B2	7/2005	MacDonald	52/574
7,017,316 B2 *	3/2006	DiLorenzo	52/602
7,328,537 B2	2/2008	Hammer	52/604
2009/0090077 A1	4/2009	Rodebaugh	52/293.2

* cited by examiner

Primary Examiner—T. Chase Nelson

Assistant Examiner—Anhdao Doan

(74) *Attorney, Agent, or Firm*—Law Offices of J. D. Geraigery; Janine D. Geraigery

(57) **CLAIM**

The ornamental design for a block structure for retaining wall system, as shown and described.

DESCRIPTION

FIG. 1 is a perspective view of the block structure for retaining wall system;

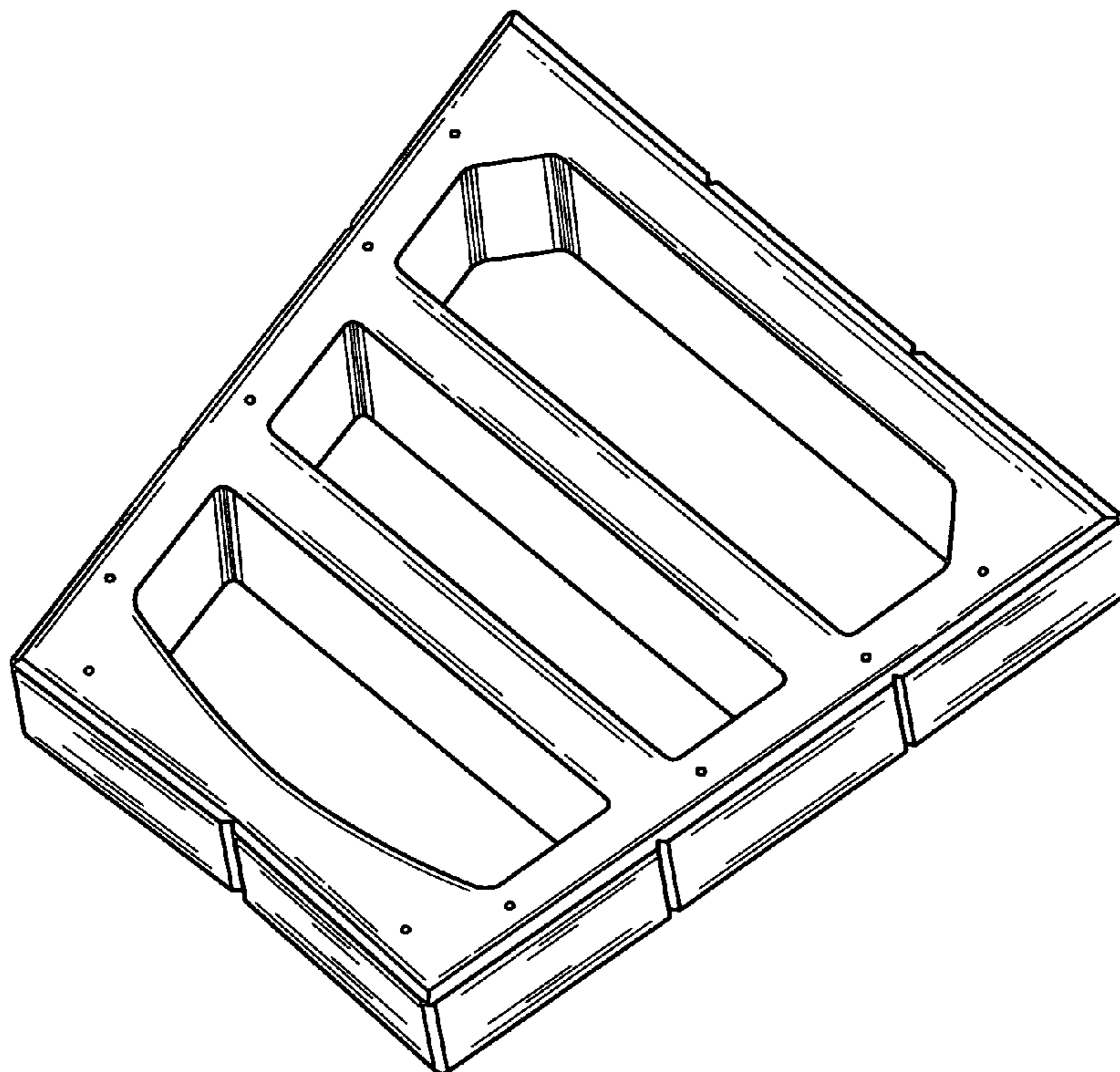
FIG. 2 is a right side view thereof, which is a mirror image of the left side view thereof;

FIG. 3 is a top view thereof, which is a mirror image of the bottom view thereof;

FIG. 4 is a front view thereof; and,

FIG. 5 is a back view thereof.

1 Claim, 2 Drawing Sheets



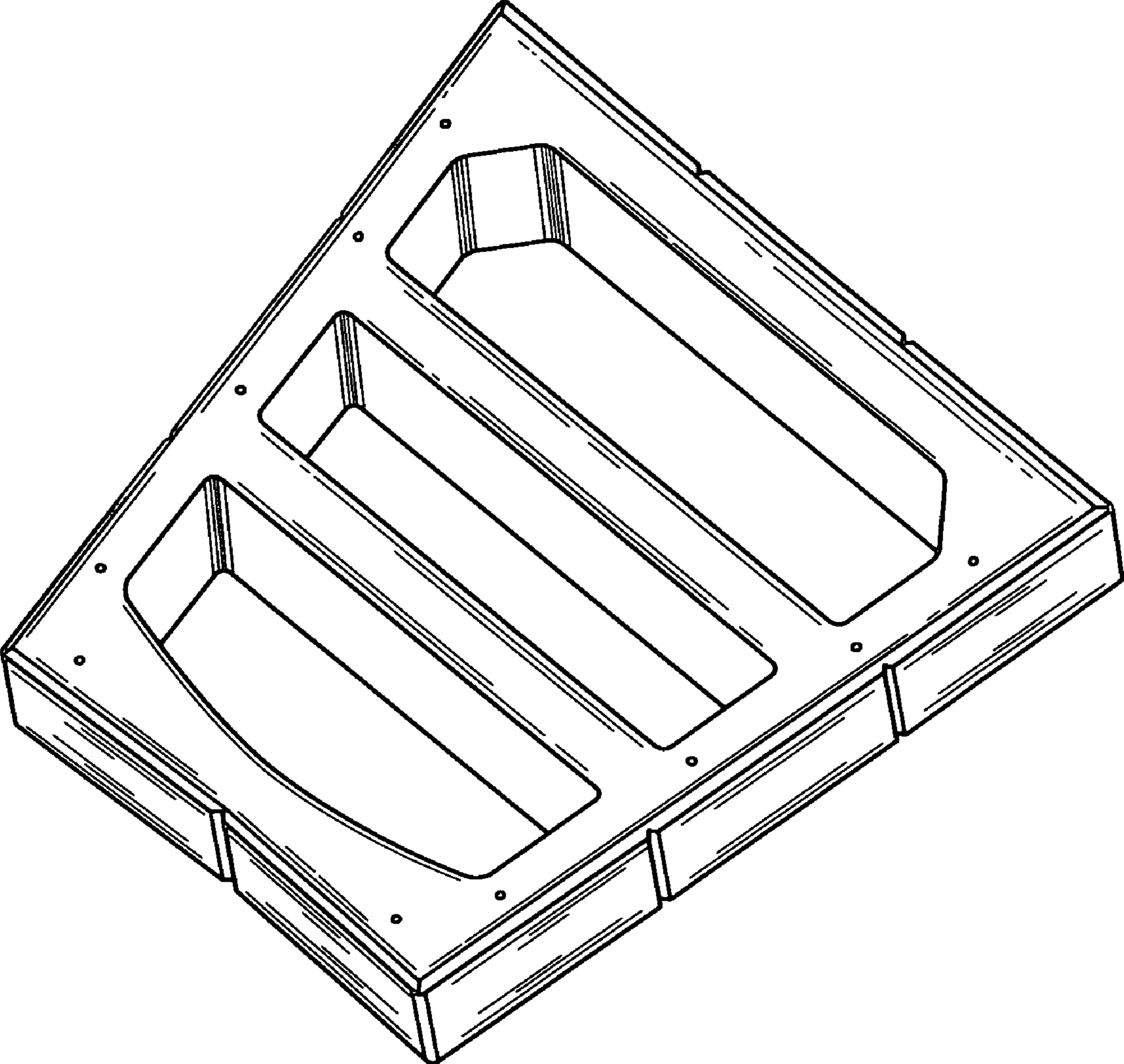


FIG. 1



FIG. 2

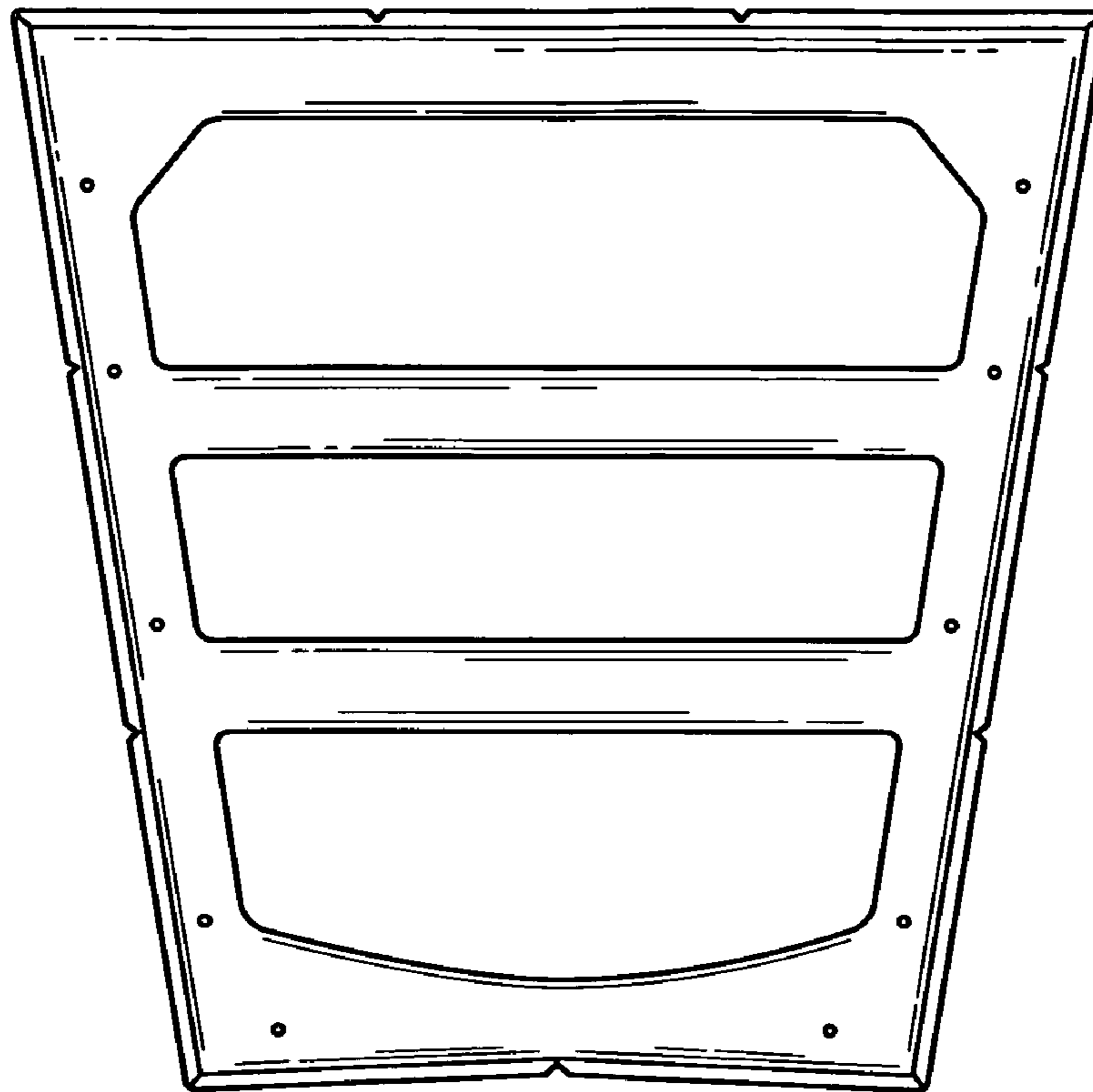


FIG. 3



FIG. 4

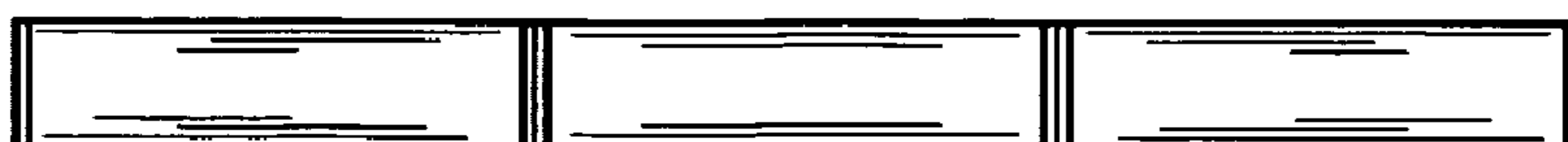


FIG. 5