



US00D615668S

(12) **United States Design Patent**
Hammer

(10) **Patent No.:** **US D615,668 S**
(45) **Date of Patent:** **** May 11, 2010**

(54) **PORTION OF A RETAINING BLOCK**

(75) Inventor: **James Hammer**, University Place, WA
(US)

(73) Assignee: **Westblock Systems, Inc.**, Salem, OR
(US)

(**) Term: **14 Years**

(21) Appl. No.: **29/338,918**

(22) Filed: **Jun. 19, 2009**

(51) **LOC (9) Cl.** **25-01**

(52) **U.S. Cl.** **D25/113**

(58) **Field of Classification Search** D25/102,
D25/112-118; D21/484-486; 52/503-505,
52/574, 575, 596, 600-605; 405/284, 286;
404/29, 30, 34, 37, 41, 42

See application file for complete search history.

(56) **References Cited**

U.S. PATENT DOCUMENTS

1,631,901	A	6/1927	Threadgill	
4,107,894	A	8/1978	Mullins	
4,186,540	A	2/1980	Mullins	
4,372,091	A	2/1983	Brown et al.	
4,453,352	A *	6/1984	Allen et al.	52/98
4,514,113	A *	4/1985	Neumann	405/286
4,516,364	A	5/1985	Heider	
D304,501	S *	11/1989	VanWassehnova et al.	D25/114
4,896,472	A	1/1990	Hunt	
5,064,313	A *	11/1991	Risi et al.	405/284
5,107,653	A *	4/1992	Lewis	52/591.1
5,421,135	A	6/1995	Stevens et al.	
5,505,034	A	4/1996	Dueck	

(Continued)

OTHER PUBLICATIONS

U.S. Appl. No. 29/338,913, filed Jun. 19, 2009, James E. Hammer.

(Continued)

Primary Examiner—T. Chase Nelson

Assistant Examiner—Anhdao Doan

(74) *Attorney, Agent, or Firm*—Klarquist Sparkman, LLP

(57) **CLAIM**

I claim the ornamental design for a portion of a retaining block, as shown and described.

DESCRIPTION

FIG. 1 is a perspective view of a portion of a retaining block, as viewed from the front, top, and one side of the block.

FIG. 2 is a perspective view of the portion of a retaining block of FIG. 1, as viewed from the rear, top, and one side of the block.

FIG. 3 is a bottom plan view of the portion of a retaining block of FIG. 1.

FIG. 4 is a top plan view of the portion of a retaining block of FIG. 1.

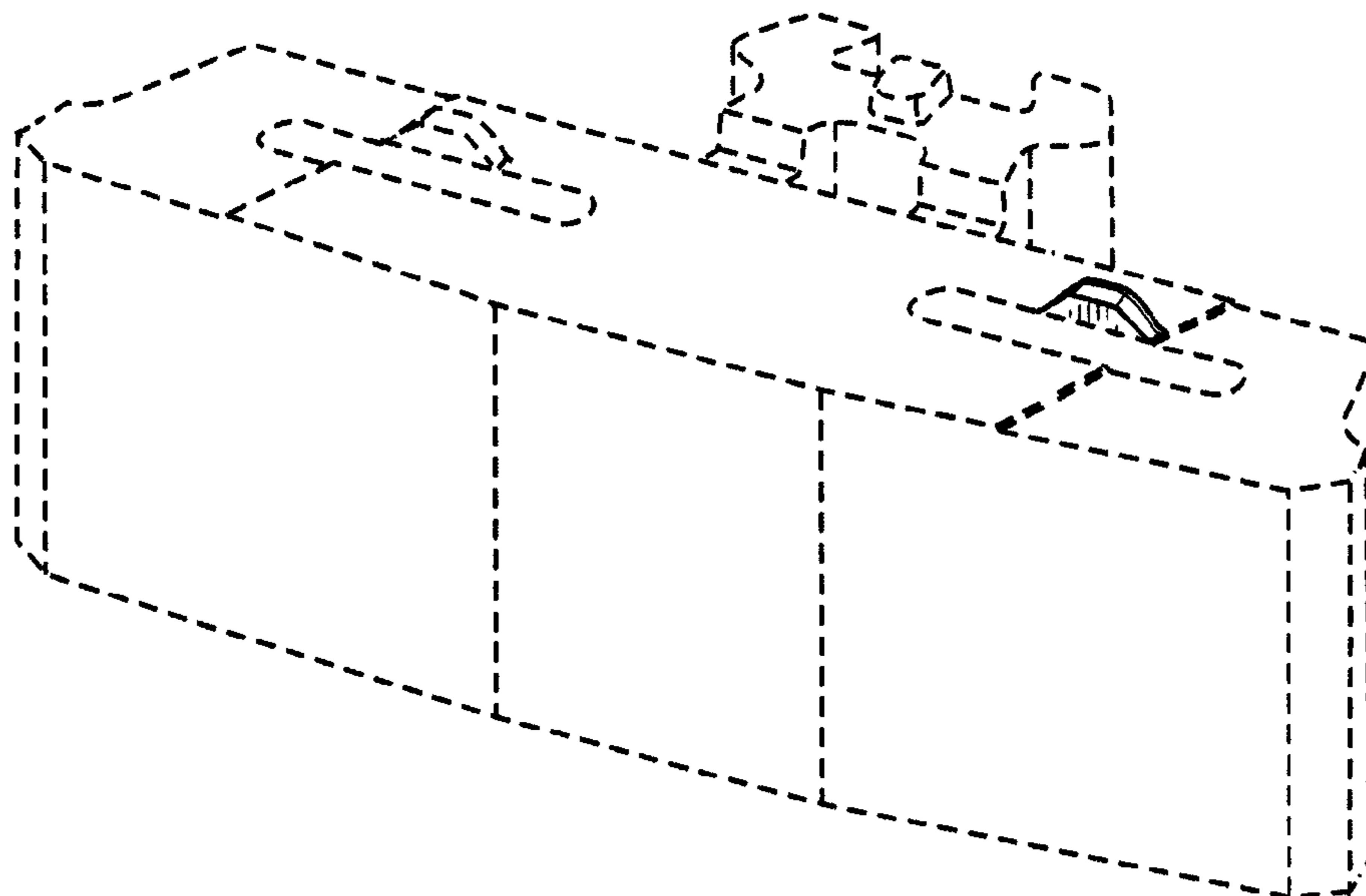
FIG. 5 is a side view of the portion of a retaining block of FIG. 1, the opposite side being a mirror image thereof.

FIG. 6 is rear view of the portion of a retaining block of FIG. 1; and,

FIG. 7 is a front view of the portion of a retaining block of FIG. 1.

The broken lines in the drawings that are immediately adjacent to the shaded areas represent an unclaimed boundary of the claimed design. The broken lines showing the remainder of the retaining block are for illustrative purposes only and form no part of the claimed design.

1 Claim, 3 Drawing Sheets



US D615,668 S

Page 2

U.S. PATENT DOCUMENTS

5,941,042 A 8/1999 Dueck
5,951,210 A * 9/1999 Maguire et al. 405/286
6,490,837 B1 12/2002 Dueck et al.
6,854,220 B2 2/2005 Dueck et al.
D530,832 S * 10/2006 Rainey D25/114
D548,365 S * 8/2007 Price D25/113
D587,382 S * 2/2009 Wauhop D25/113
7,553,109 B2 * 6/2009 Blundell 405/286
2002/0001509 A1 * 1/2002 Hong 405/286

2005/0016106 A1 1/2005 Dawson et al.
2007/0175161 A1 * 8/2007 Sunseth et al. 52/604

OTHER PUBLICATIONS

U.S. Appl. No. 29/338,914, filed Jun. 19, 2009, James E. Hammer.
U.S. Appl. No. 29/338,915, filed Jun. 19, 2009, James E. Hammer.
U.S. Appl. No. 29/338,916, filed Jun. 19, 2009, James E. Hammer.
U.S. Appl. No. 29/338,917, filed Jun. 19, 2009, James E. Hammer.
U.S. Appl. No. 29/338,919, filed Jun. 19, 2009, James E. Hammer.

* cited by examiner

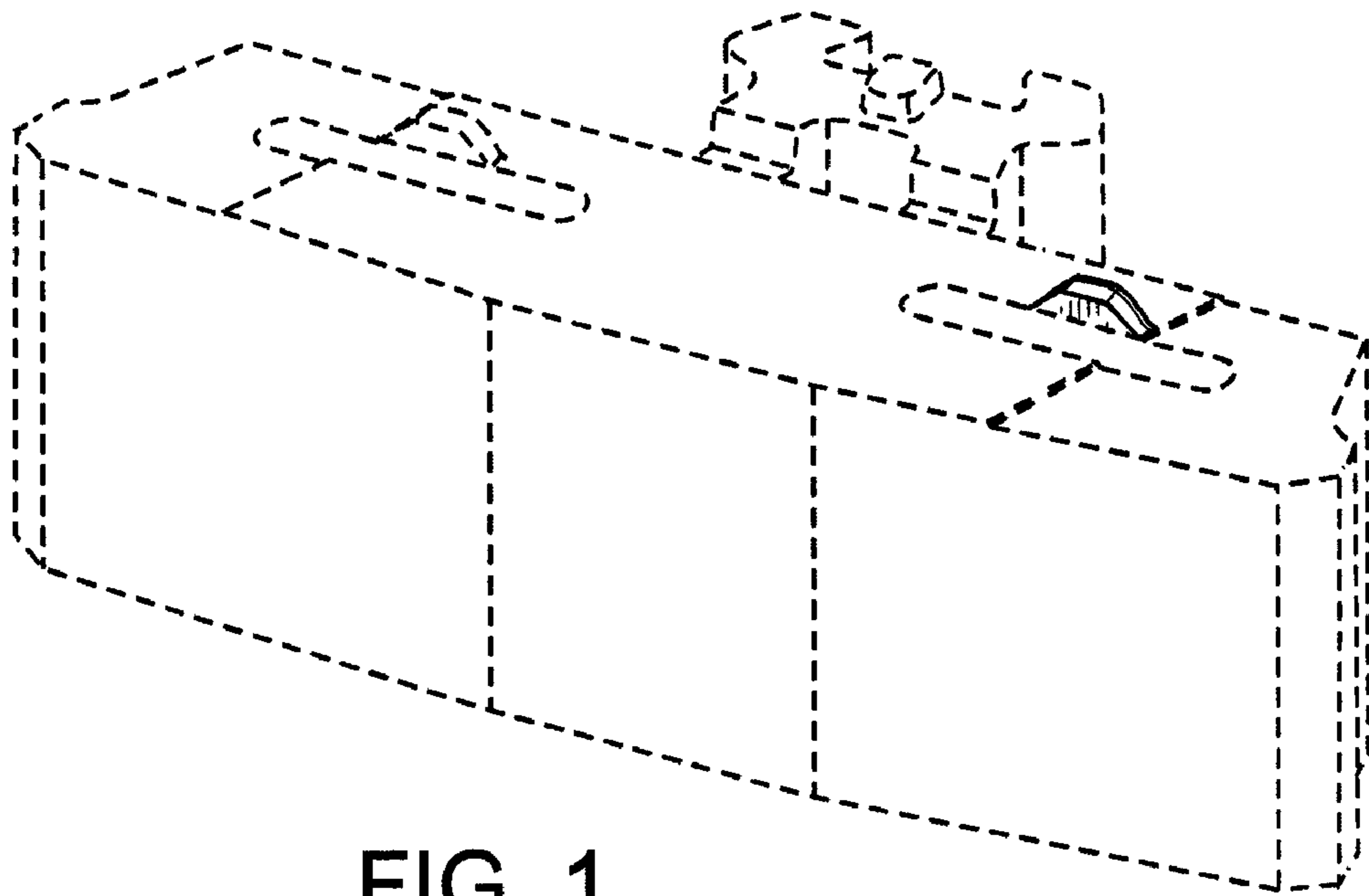


FIG. 1

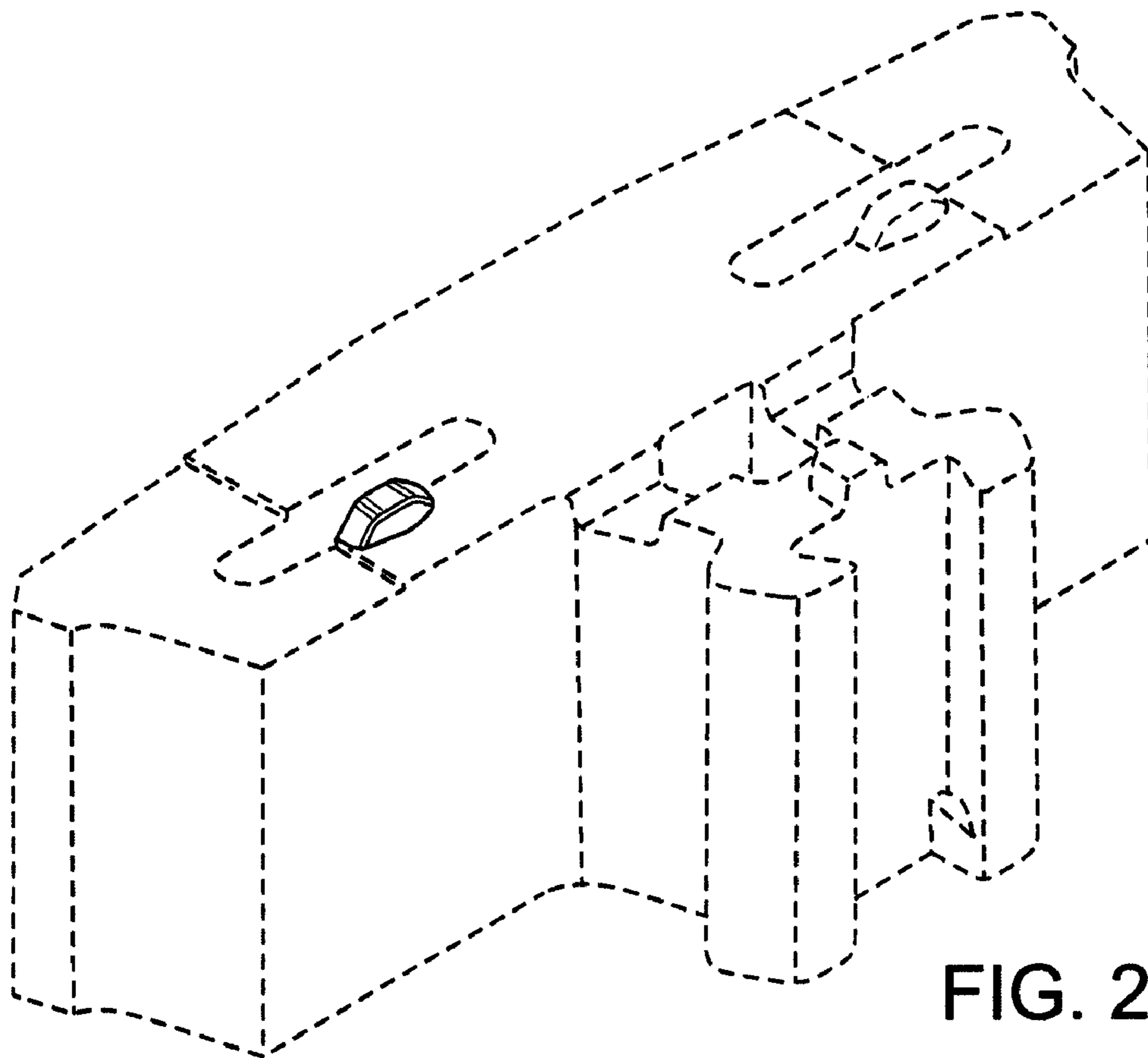
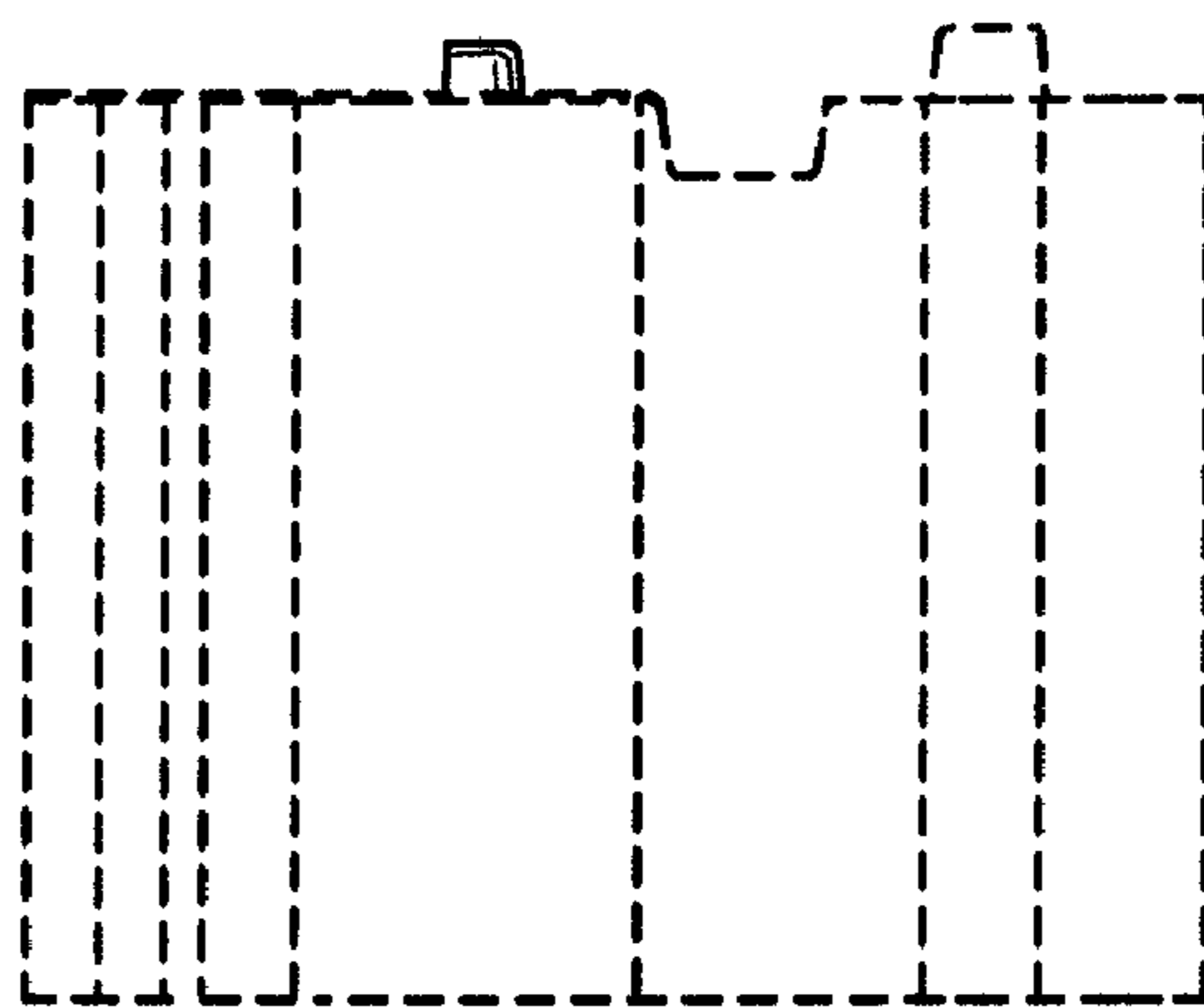
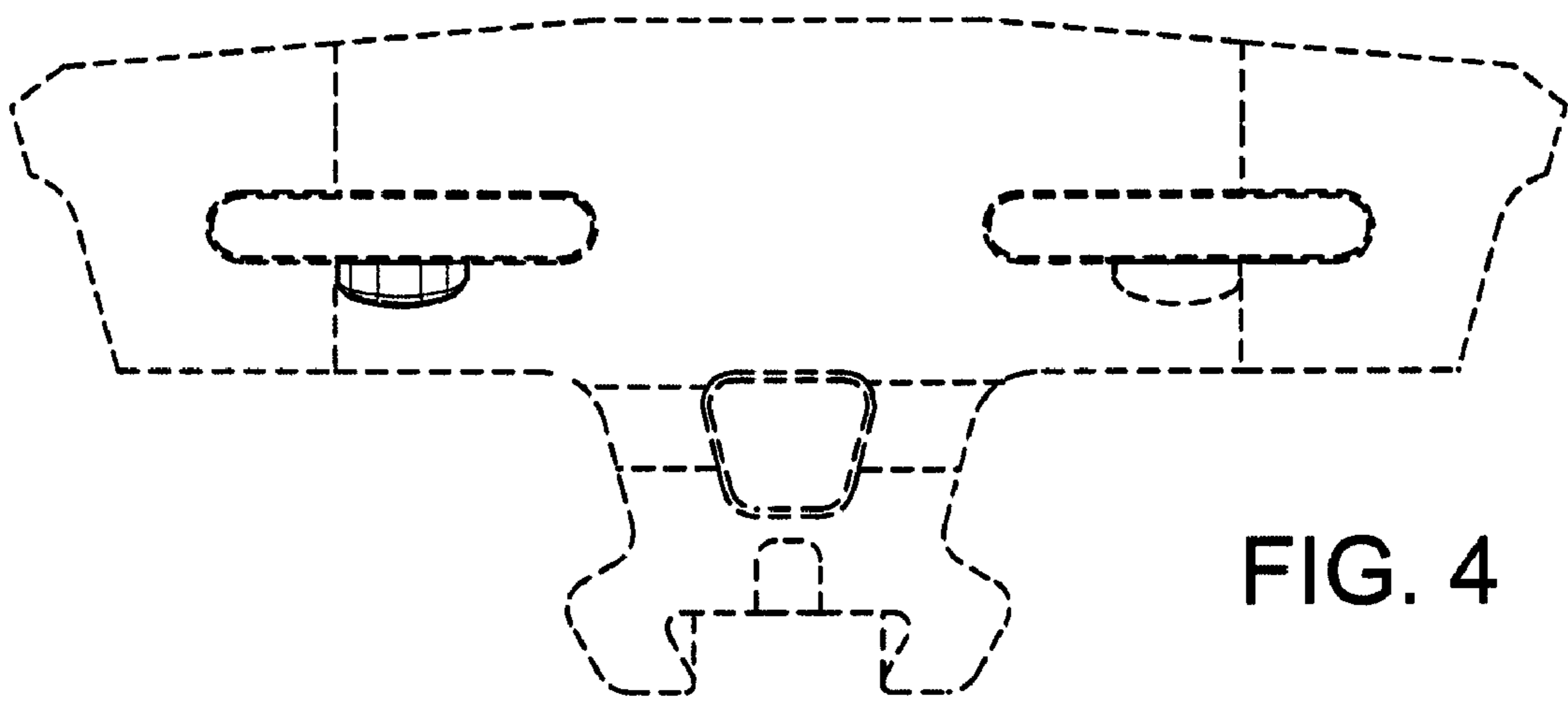
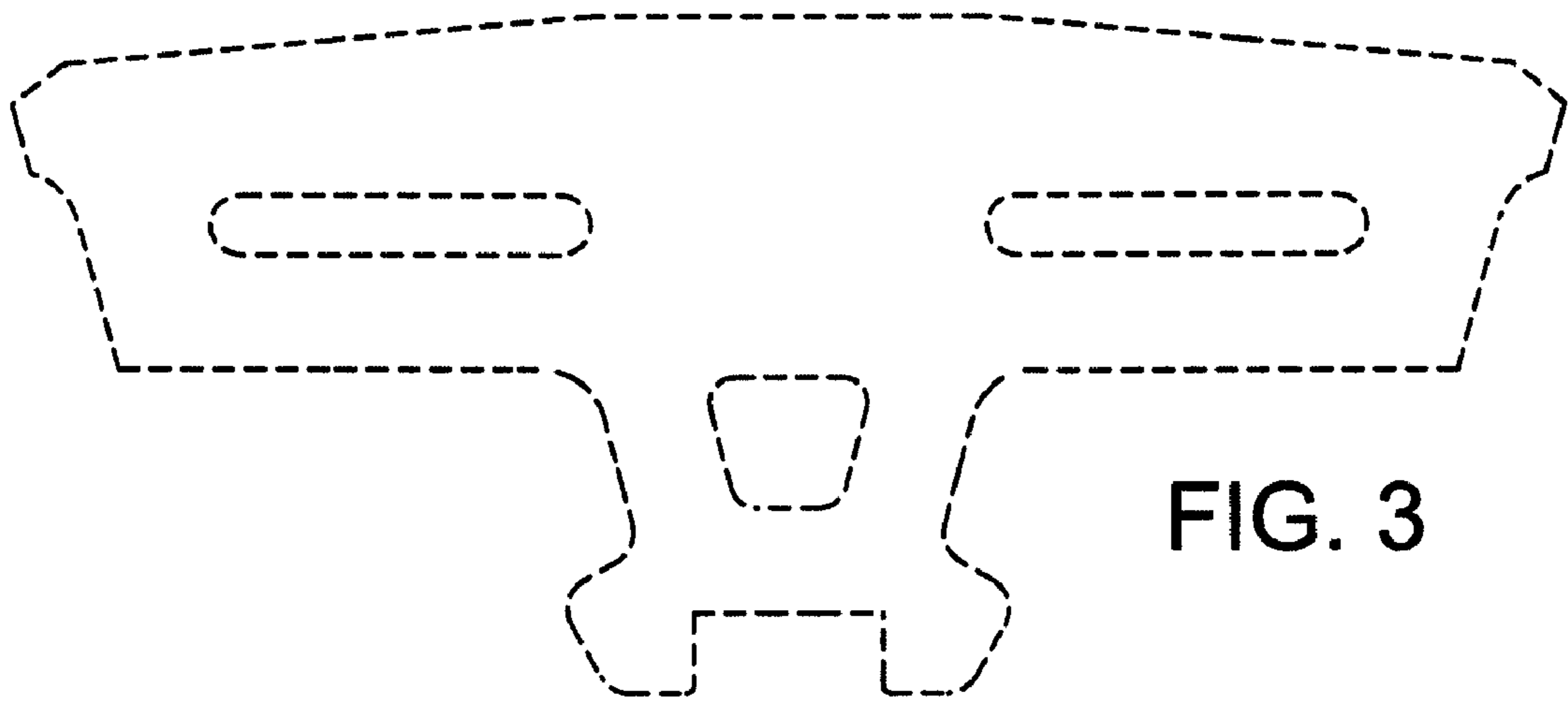


FIG. 2



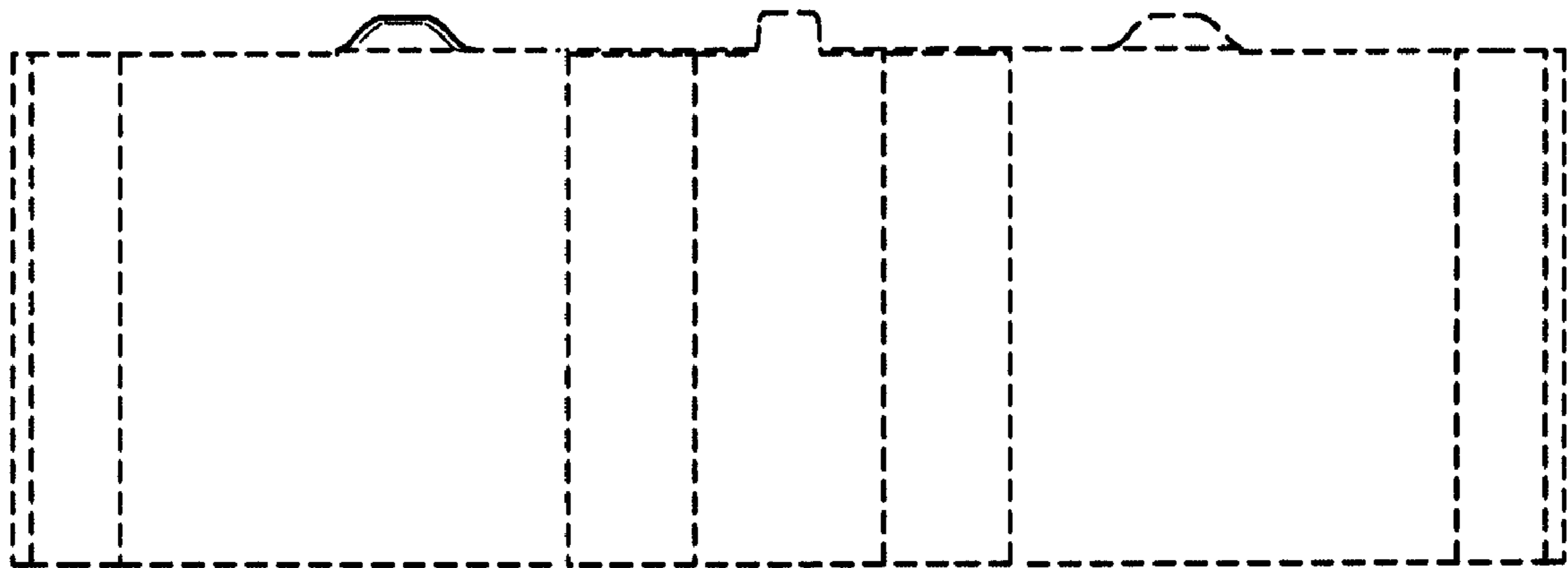


FIG. 6

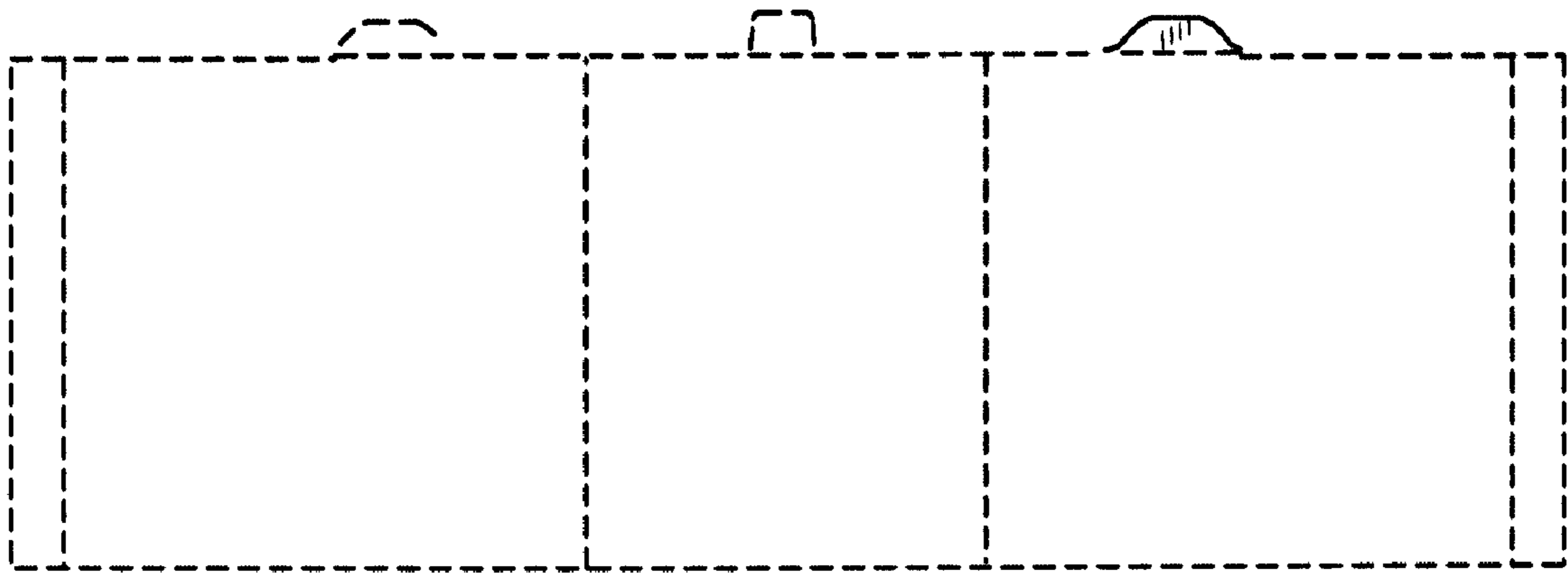


FIG. 7