



US00D615667S

(12) **United States Design Patent**
Dunn et al.

(10) **Patent No.:** **US D615,667 S**

(45) **Date of Patent:** **** May 11, 2010**

(54) **FOLDABLE STEP STOOL**

(75) Inventors: **Steven B. Dunn**, Beverly Hills, CA (US); **Mark Tebbe**, Ventura, CA (US); **Kevin D. Johnson**, Tarzana, CA (US); **Mark Hatherill**, Beverly Hills, CA (US)

(73) Assignee: **Munchkin, Inc.**, North Hills, CA (US)

(**) Term: **14 Years**

(21) Appl. No.: **29/345,074**

(22) Filed: **Oct. 8, 2009**

(51) **LOC (9) Cl.** **25-04**

(52) **U.S. Cl.** **D25/65**

(58) **Field of Classification Search** D25/65;
182/33, 152, 223; D6/353; 297/44, 42, 188.1
See application file for complete search history.

(56) **References Cited**

U.S. PATENT DOCUMENTS

4,630,861	A	12/1986	Henschel	
D460,566	S	7/2002	Henschel et al.	
6,568,506	B1 *	5/2003	Donnalley	182/223
D501,683	S *	2/2005	Hernandez et al.	D25/65
D531,429	S	11/2006	Henschel	
D553,372	S	10/2007	Henschel	
7,278,515	B2 *	10/2007	Moser et al.	182/152

OTHER PUBLICATIONS

<http://www.nytimes.com/interactive/2009/06/17/garden/20090618-shopping-interactive.html>.

http://portal.cappellini.it:7778/portal/page/portal/Prodotti/1_13_Collezione/6_Sedie/Stitch.

* cited by examiner

Primary Examiner—Doris Clark

(74) *Attorney, Agent, or Firm*—Marc E. Hankin; Kevin Schraven; Hankin Patent Law, APC

(57) **CLAIM**

We claim the ornamental design for a foldable step stool, as shown.

DESCRIPTION

FIG. 1 is an illustration of a perspective view of the foldable step stool.

FIG. 2 is an illustration of a top plan view of the foldable step stool.

FIG. 3 is an illustration of a bottom plan view of the foldable step stool.

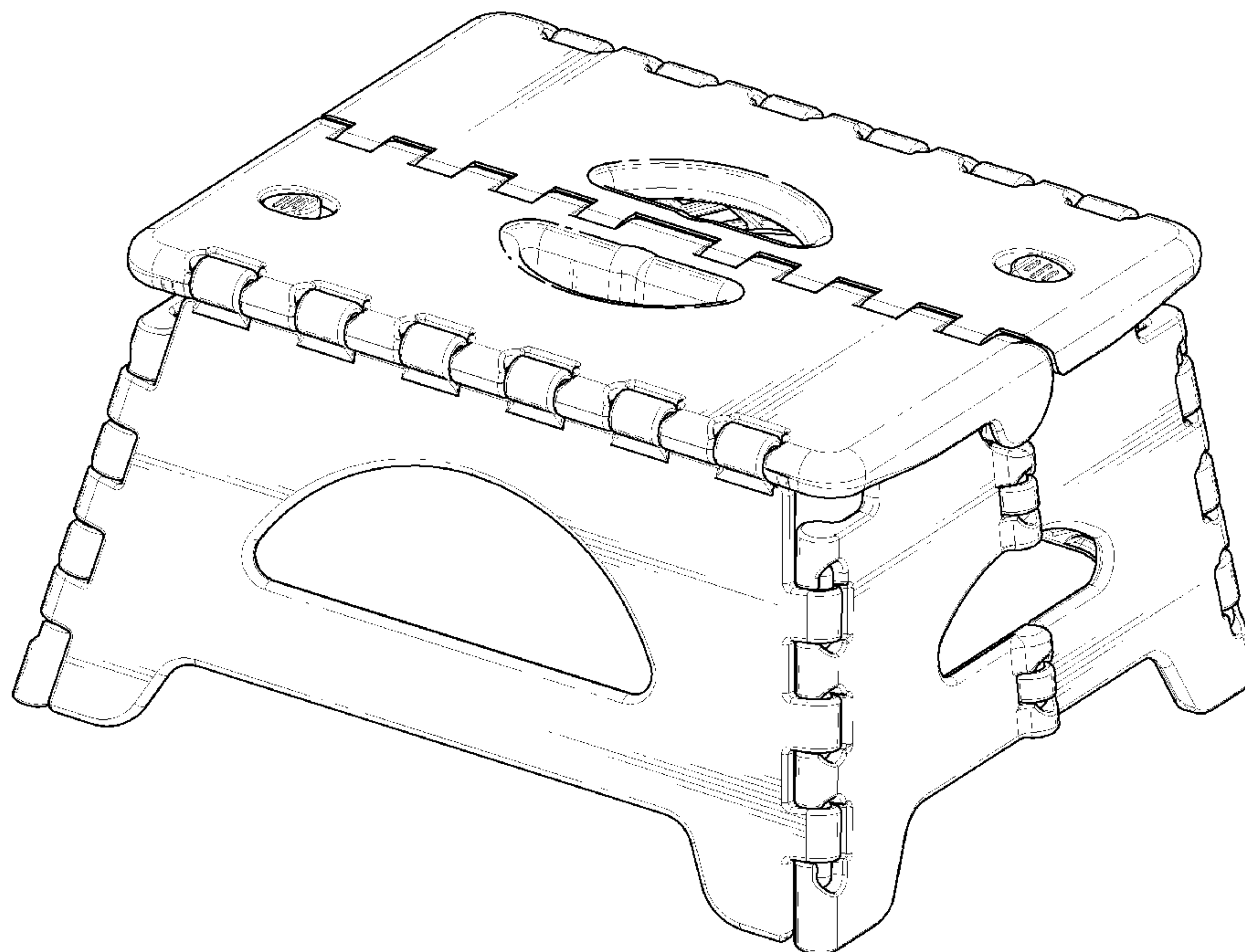
FIG. 4 is an illustration of a right side elevation view of the foldable step stool.

FIG. 5 is an illustration of a left side elevation view of the foldable step stool.

FIG. 6 is an illustration of a front elevation view of the foldable step stool; and,

FIG. 7 is an illustration of a rear elevation view of the foldable step stool.

1 Claim, 7 Drawing Sheets



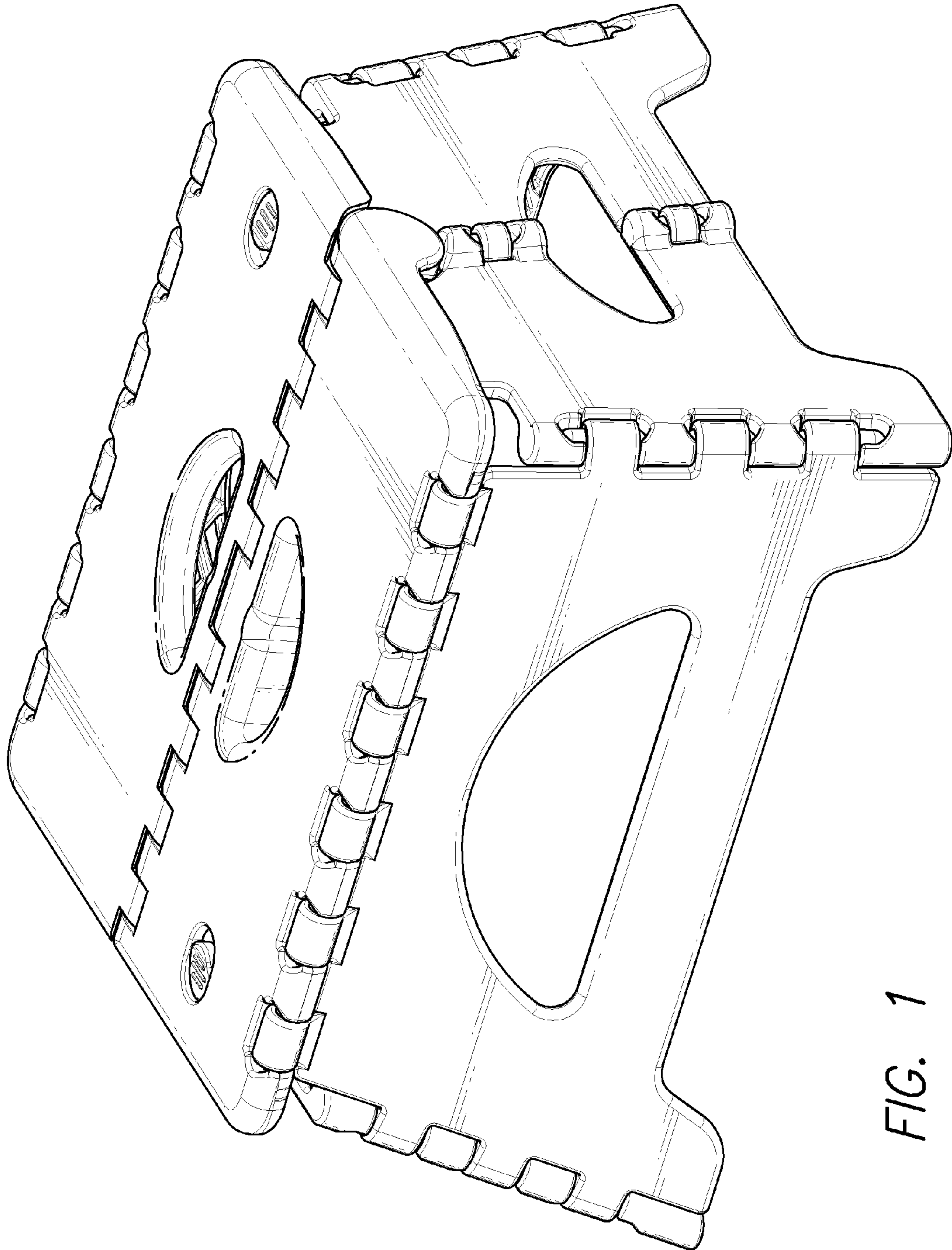


FIG. 1

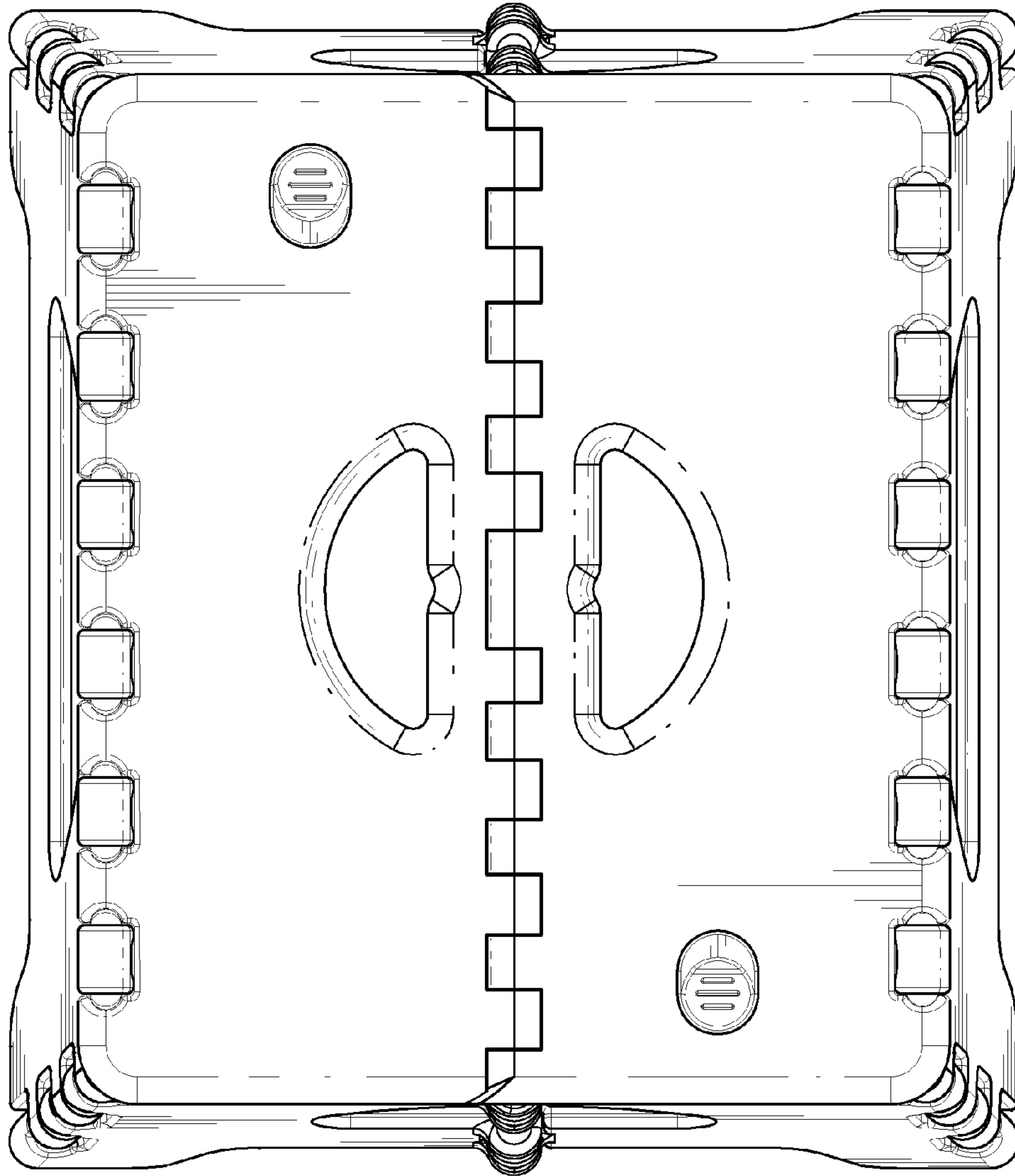


FIG. 2

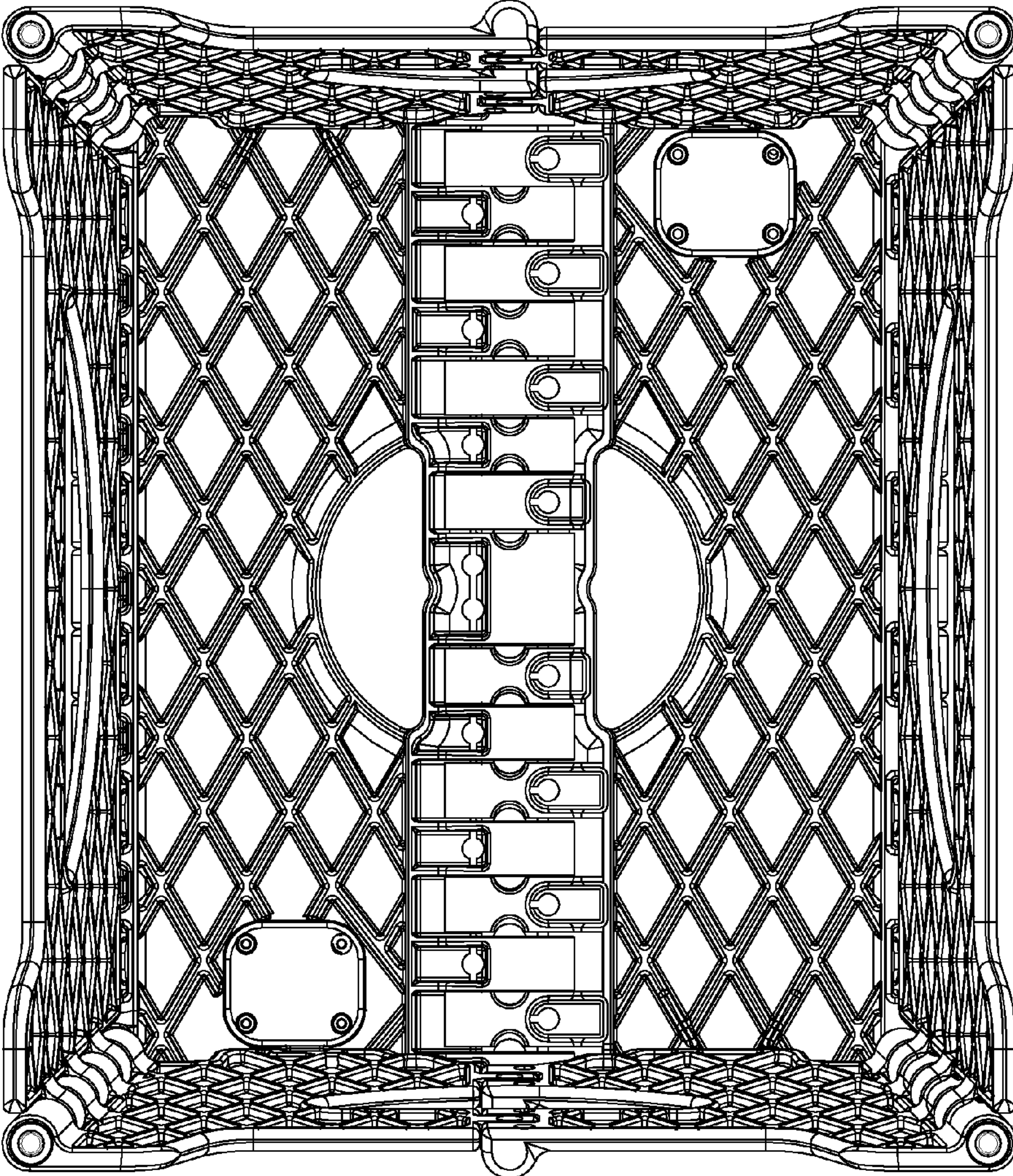


FIG. 3

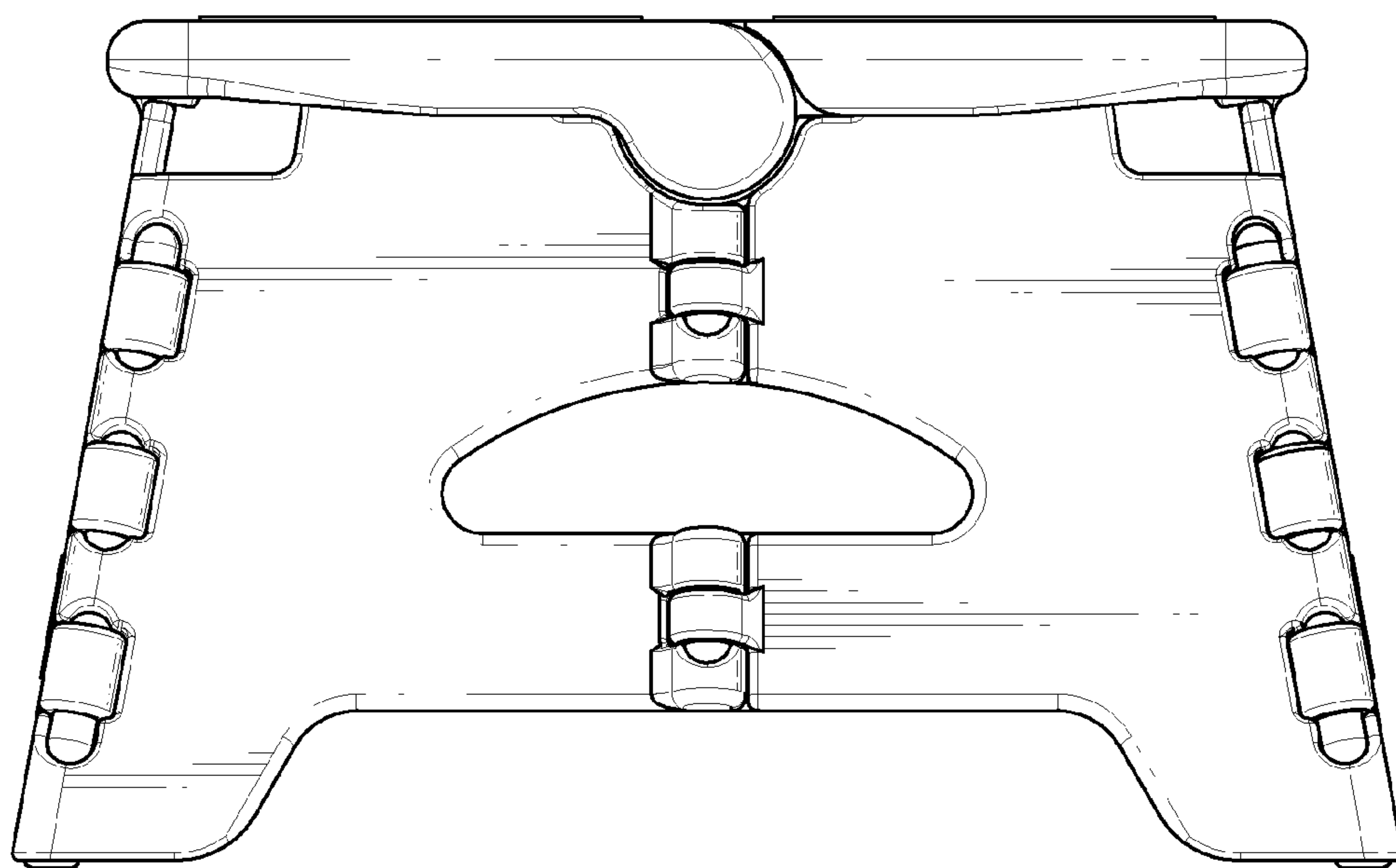


FIG. 4

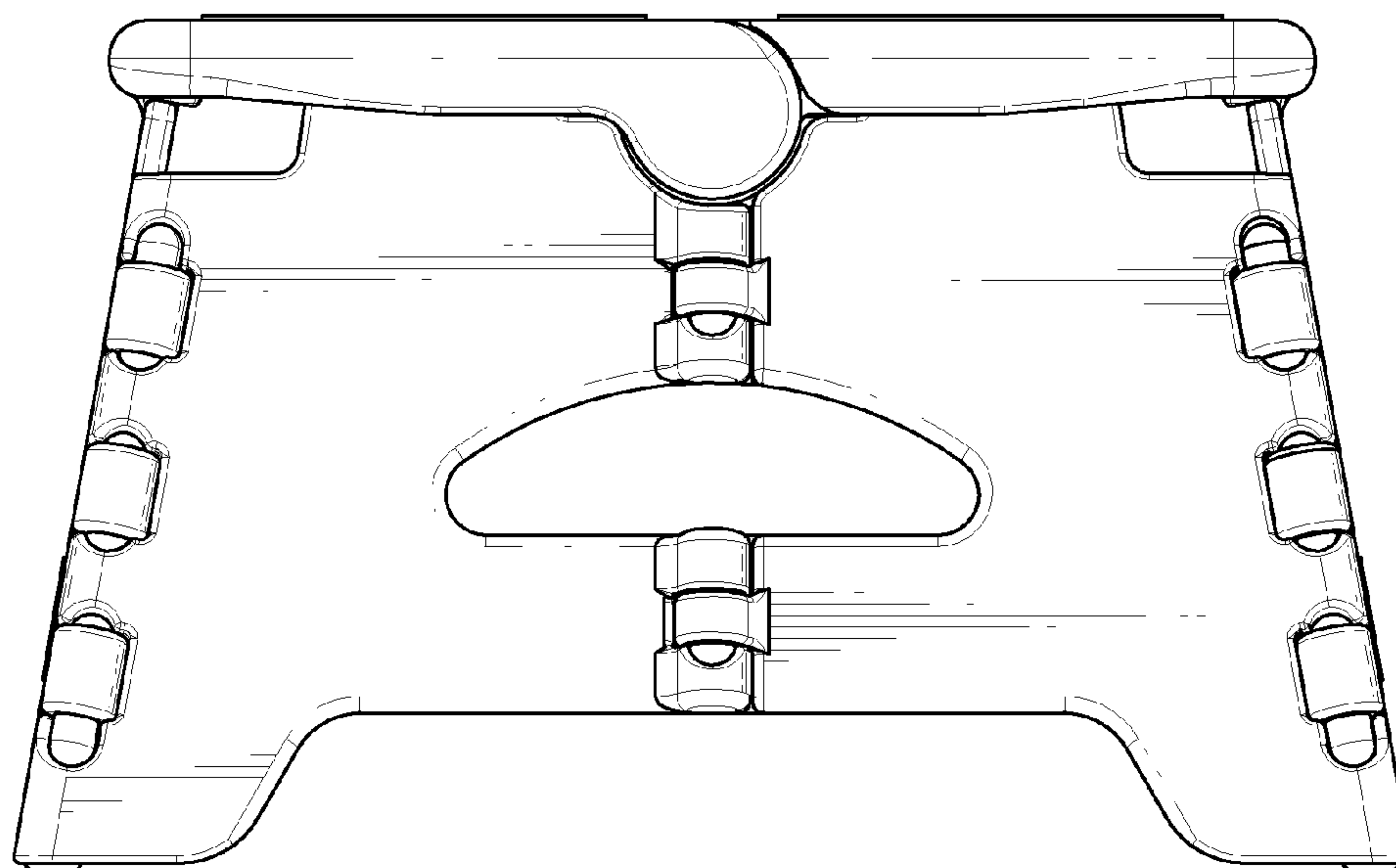


FIG. 5

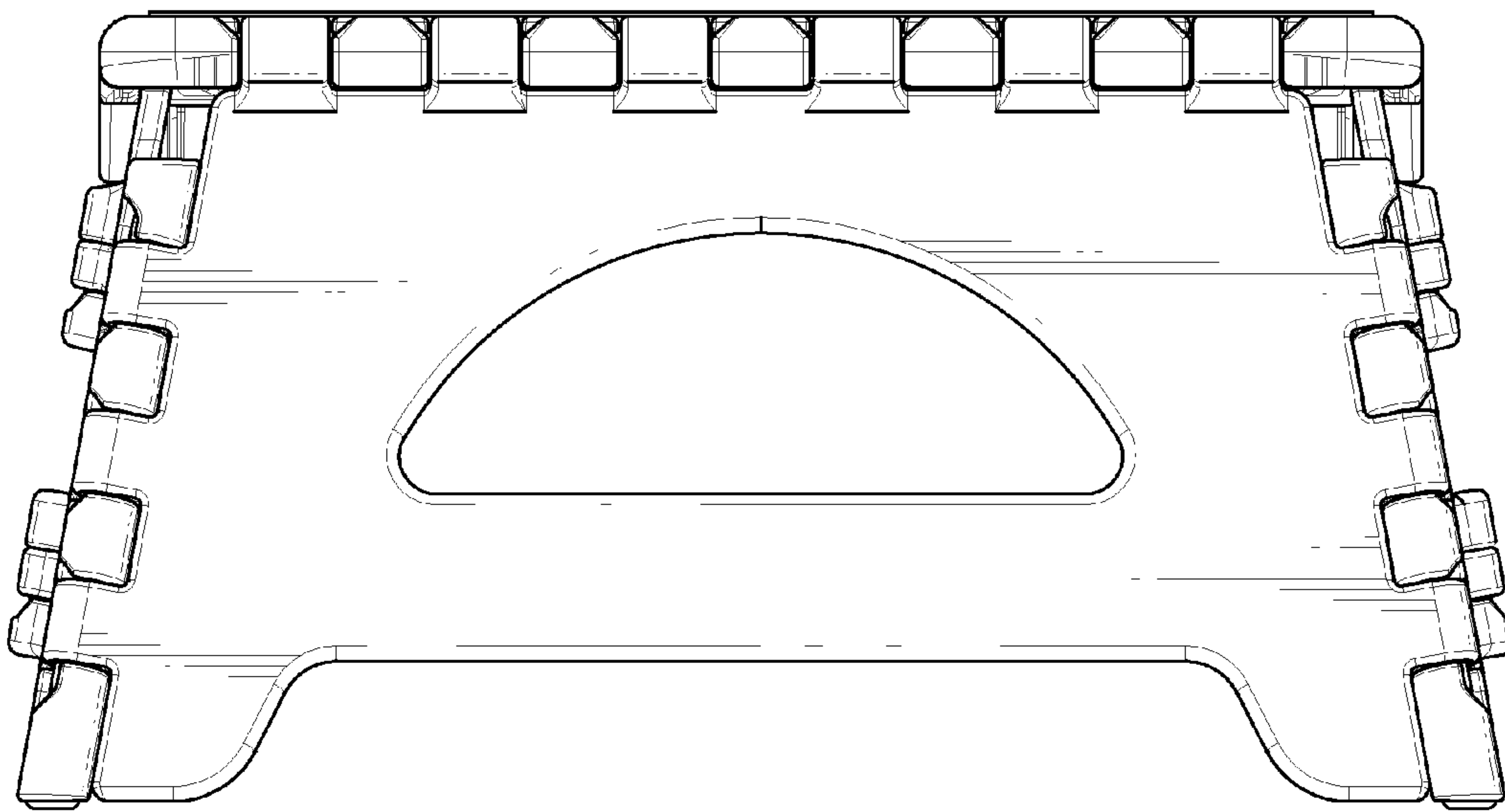


FIG. 6

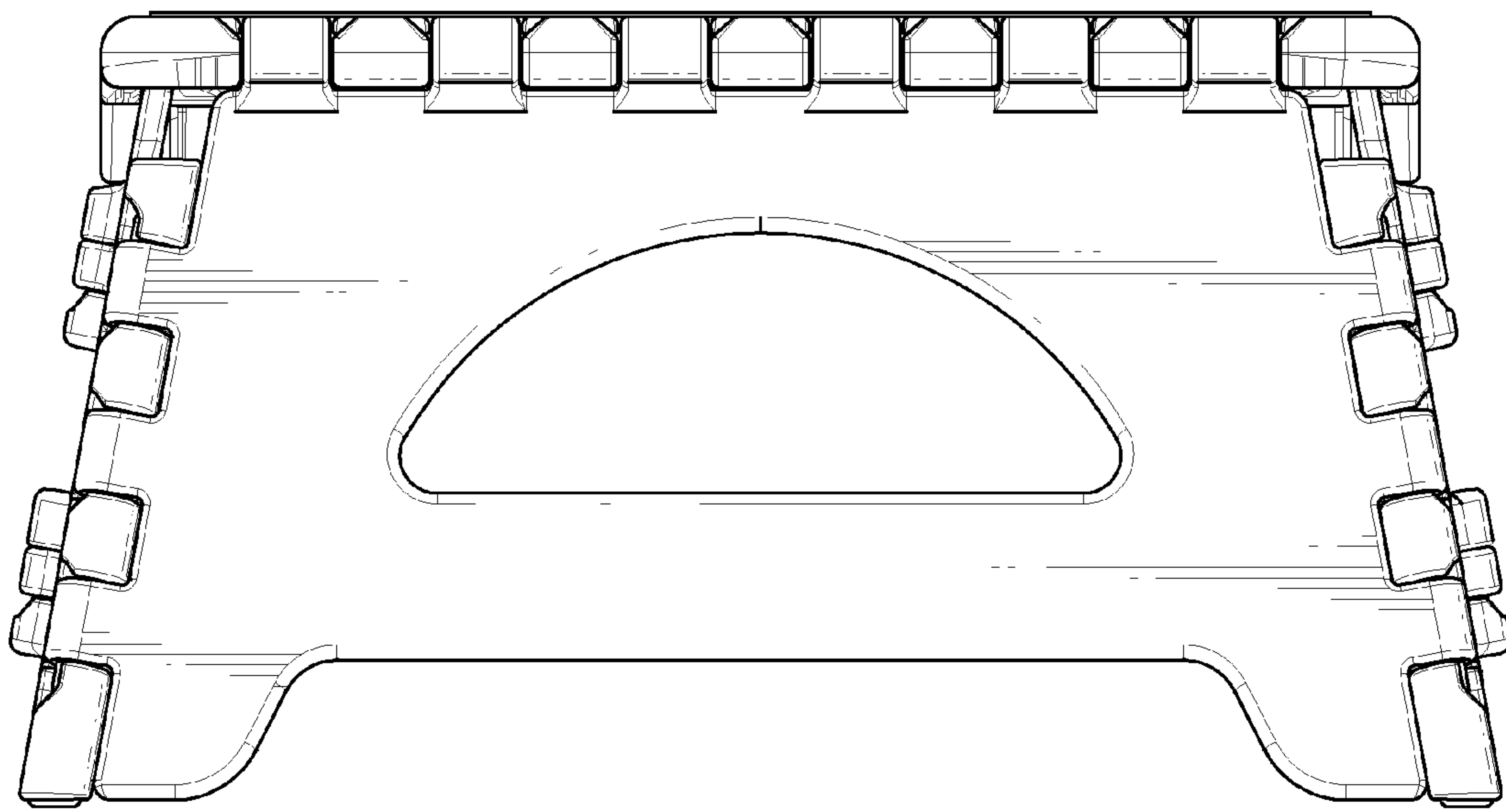


FIG. 7