



US00D615666S

(12) **United States Design Patent**
Stephens

(10) **Patent No.:** **US D615,666 S**
(45) **Date of Patent:** **** *May 11, 2010**

(54) **SINGLE HUNG WINDOW SILL MEMBER**

D537,538 S * 2/2007 Wickland D25/124

(75) Inventor: **Ronald Lee Stephens**, Lewisville, TX
(US)

(73) Assignee: **Krestmark Industries, L.P.**, Dallas, TX
(US)

(*) Notice: This patent is subject to a terminal disclaimer.

(**) Term: **14 Years**

(21) Appl. No.: **29/336,019**

(22) Filed: **Apr. 27, 2009**

(51) **LOC (9) Cl.** **25-02**

(52) **U.S. Cl.** **D25/60; D25/124**

(58) **Field of Classification Search** D25/124,
D25/125, 60; 52/204.1, 204.5, 204.51, 656.5,
52/656.6, 656.2, 730.3; 49/501, 504, DIG. 2
See application file for complete search history.

(56) **References Cited**

U.S. PATENT DOCUMENTS

D243,680 S	3/1977	Dallaire	
D344,597 S *	2/1994	Bancroft D25/124
D344,600 S *	2/1994	Bancroft D25/124
D353,471 S *	12/1994	Cole D25/124
D358,663 S *	5/1995	Hosseini et al. D25/124
5,522,196 A *	6/1996	Conroy et al. 52/223.9
5,557,894 A *	9/1996	Card 52/204.595
D392,751 S *	3/1998	Oliver D25/124
D430,940 S *	9/2000	Goss D25/124
6,293,049 B1	9/2001	Shaw	
6,457,287 B1	10/2002	Wilcox	
D496,740 S *	9/2004	Franson D25/124
6,848,225 B2	2/2005	Lapierre	
D511,842 S *	11/2005	Kim D25/60

OTHER PUBLICATIONS

Specification and Drawings for U.S. Appl. No. 29/336,010, filed Apr. 27, 2009 and entitled "Window Frame Member".

Specification and Drawings for U.S. Appl. No. 29/336,011, filed Apr. 27, 2009 and entitled "Single Hung Window Sill Member".

Specification and Drawings for U.S. Appl. No. 29/336,014, filed Apr. 27, 2009 and entitled "Single Hung Window Jamb Member".

Specification and Drawings for U.S. Appl. No. 29/336,015, filed Apr. 27, 2009 and entitled "Window Frame Member".

Specification and Drawings for U.S. Appl. No. 29/336,024, filed Apr. 27, 2009 and entitled "Single Hung Window Jamb Member".

Specification and Drawings for U.S. Appl. No. 29/336,030, filed Apr. 27, 2009 and entitled "Single Hung Window Frame Member".

Specification and Drawings for U.S. Appl. No. 29/336,025, filed Apr. 27, 2009 and entitled "Single Hung Window Frame Member".

* cited by examiner

Primary Examiner—Doris Clark

(74) *Attorney, Agent, or Firm*—Sonnenschein Nath & Rosenthal LLP

(57) **CLAIM**

The ornamental design for a single hung window sill member, as shown and described.

DESCRIPTION

FIG. 1 is a perspective view of a single hung window sill member showing my new design;

FIG. 2 is a first end view thereof;

FIG. 3 is a second end view thereof;

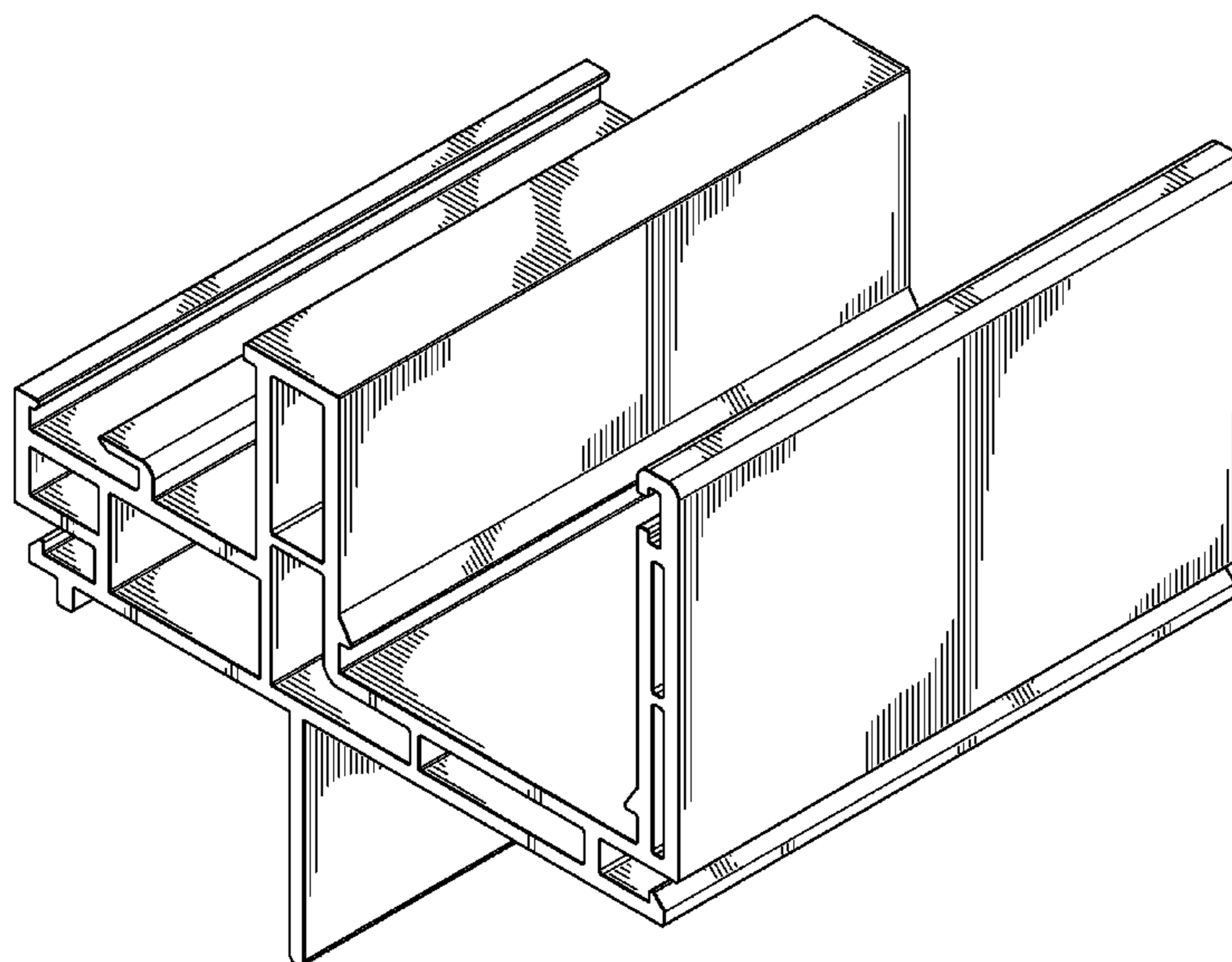
FIG. 4 is a right, elevation view thereof;

FIG. 5 is a left, elevation view thereof;

FIG. 6 is a top view thereof; and,

FIG. 7 is a bottom view thereof.

1 Claim, 7 Drawing Sheets



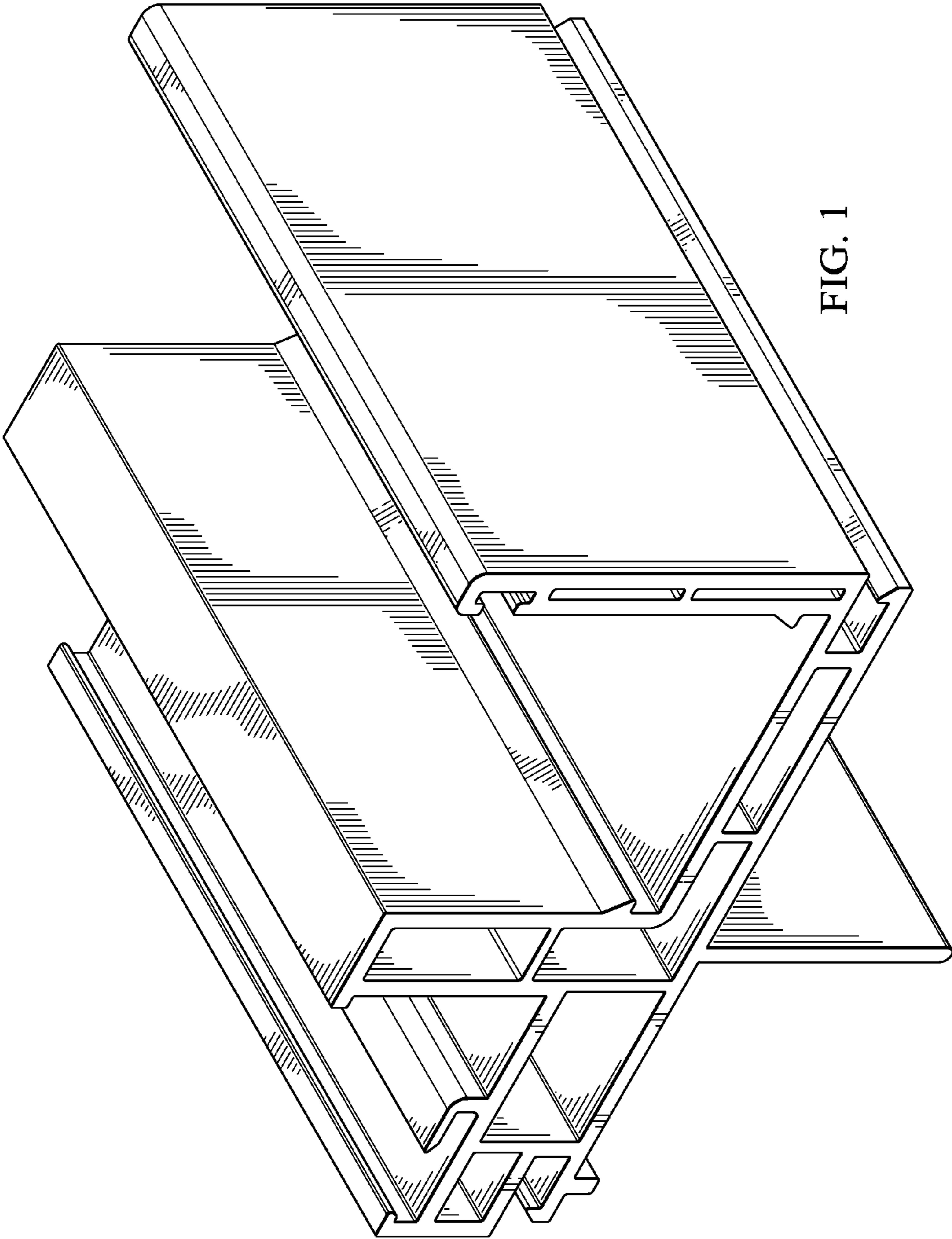
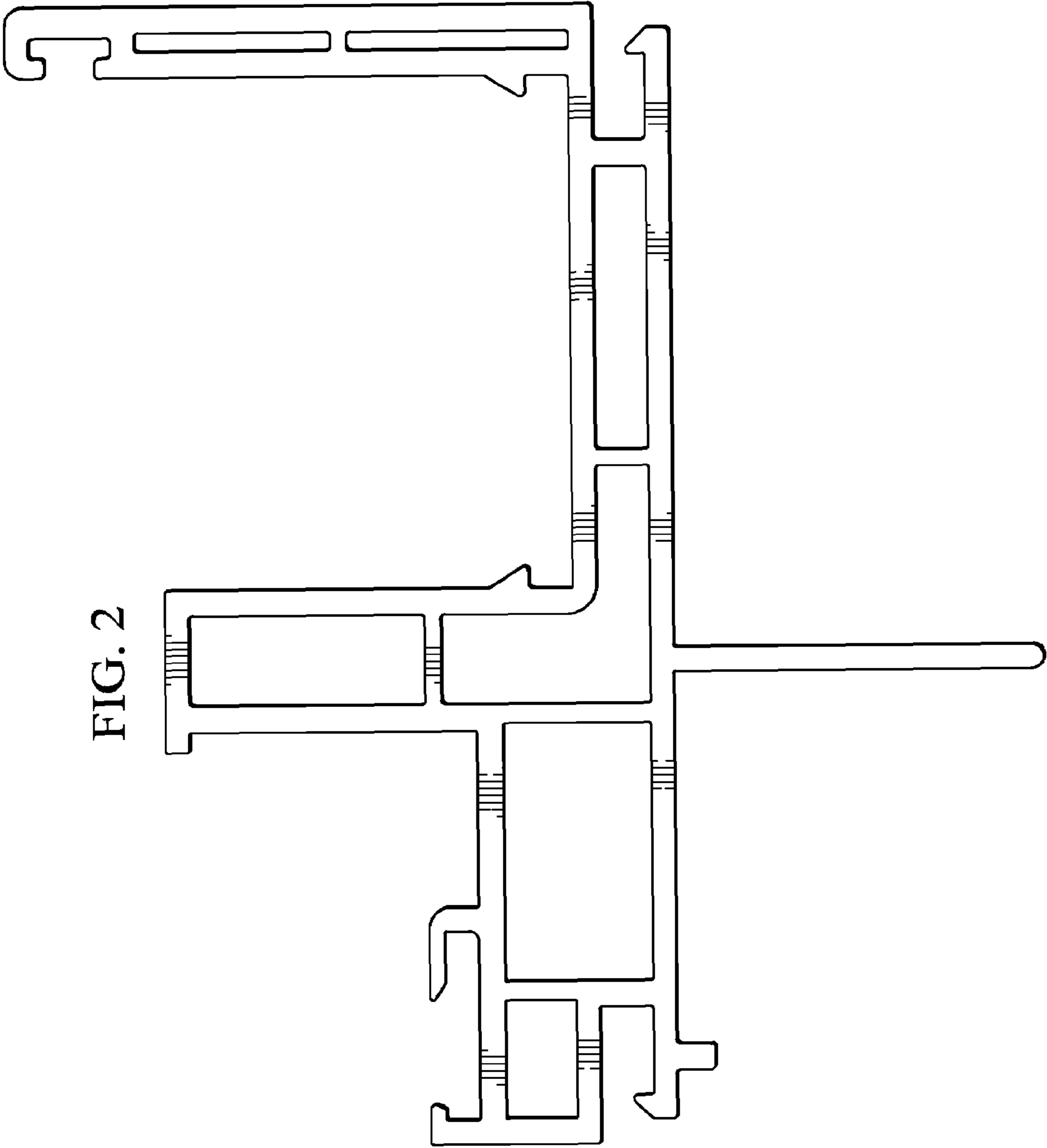
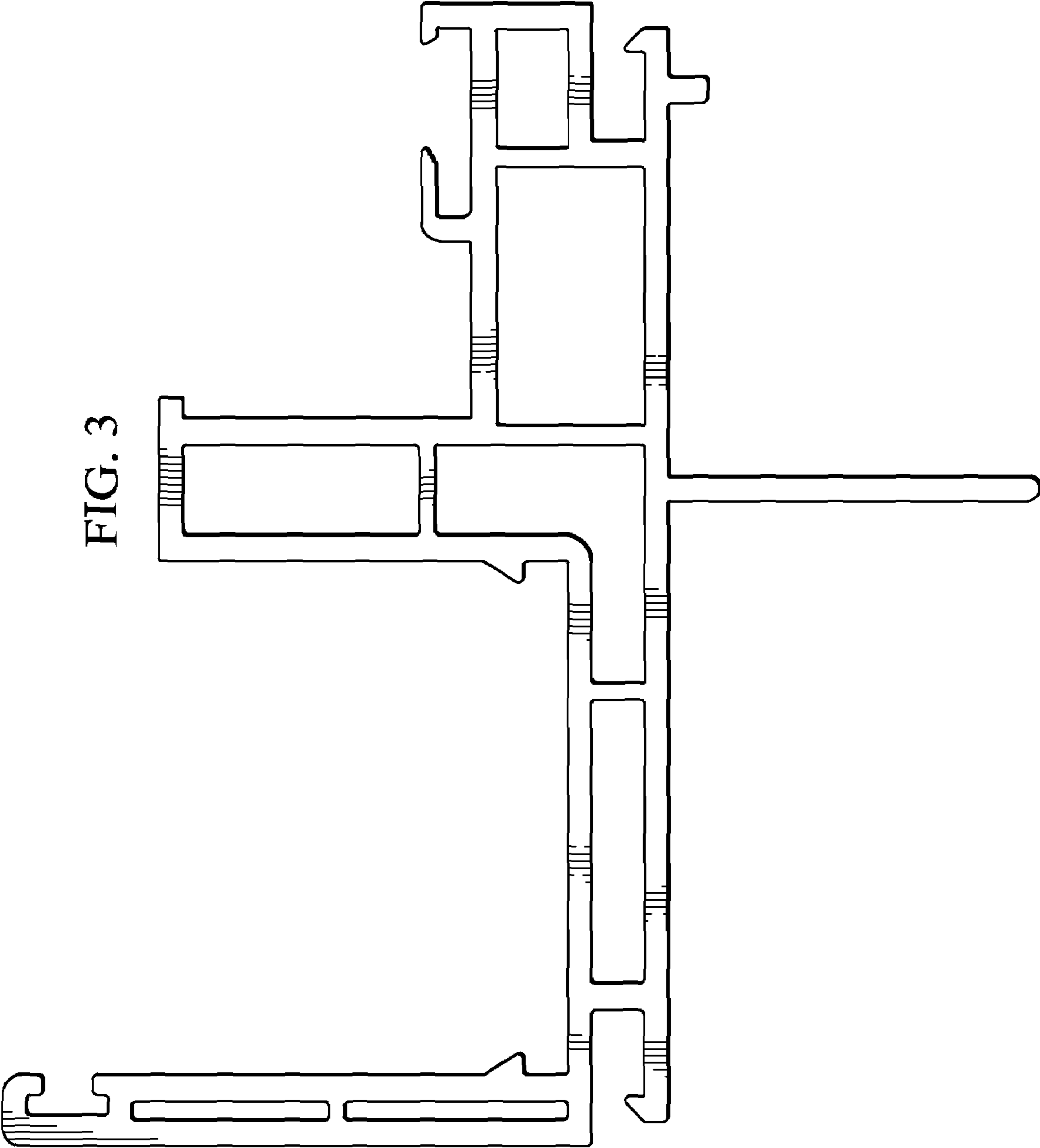


FIG. 1





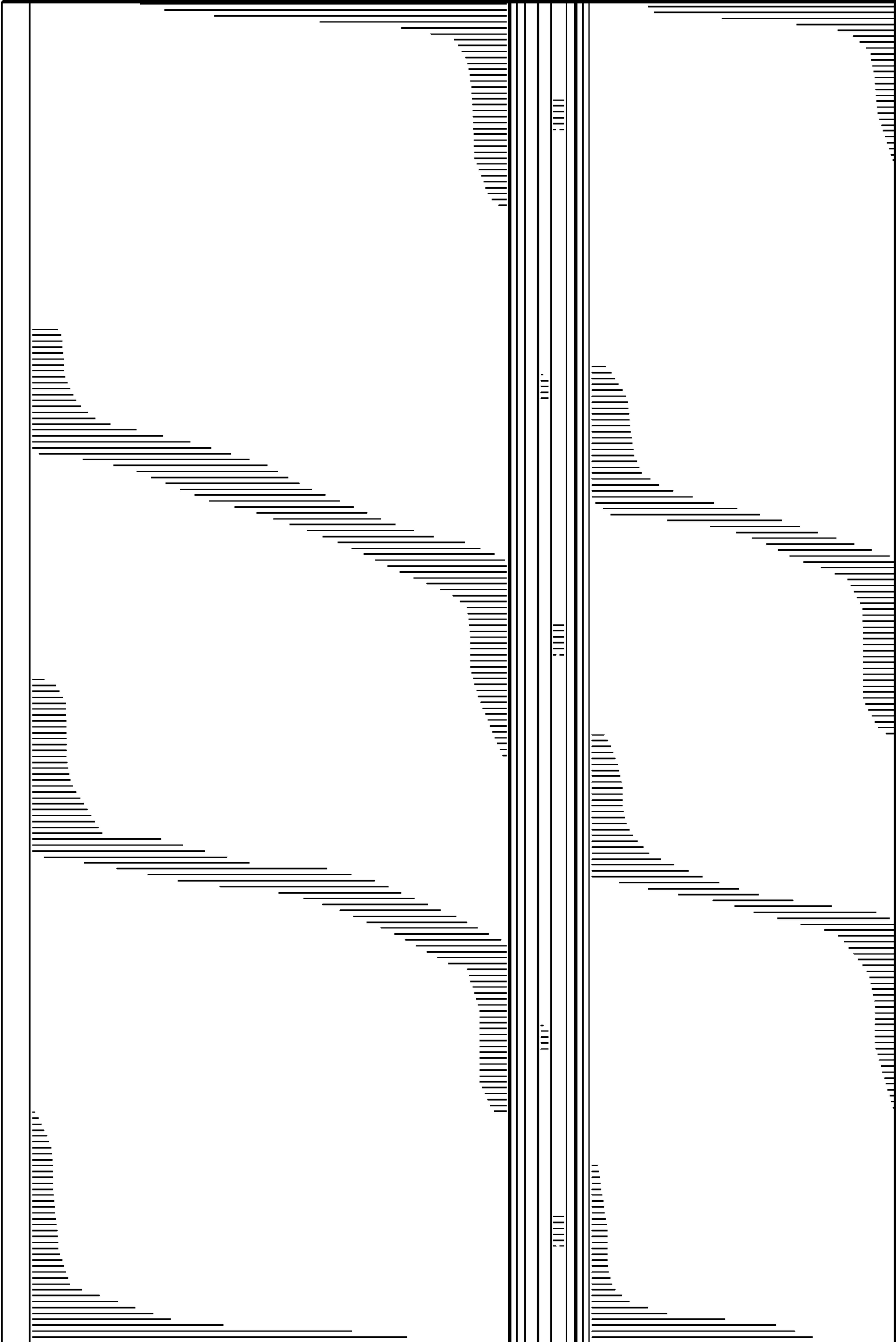


FIG. 4

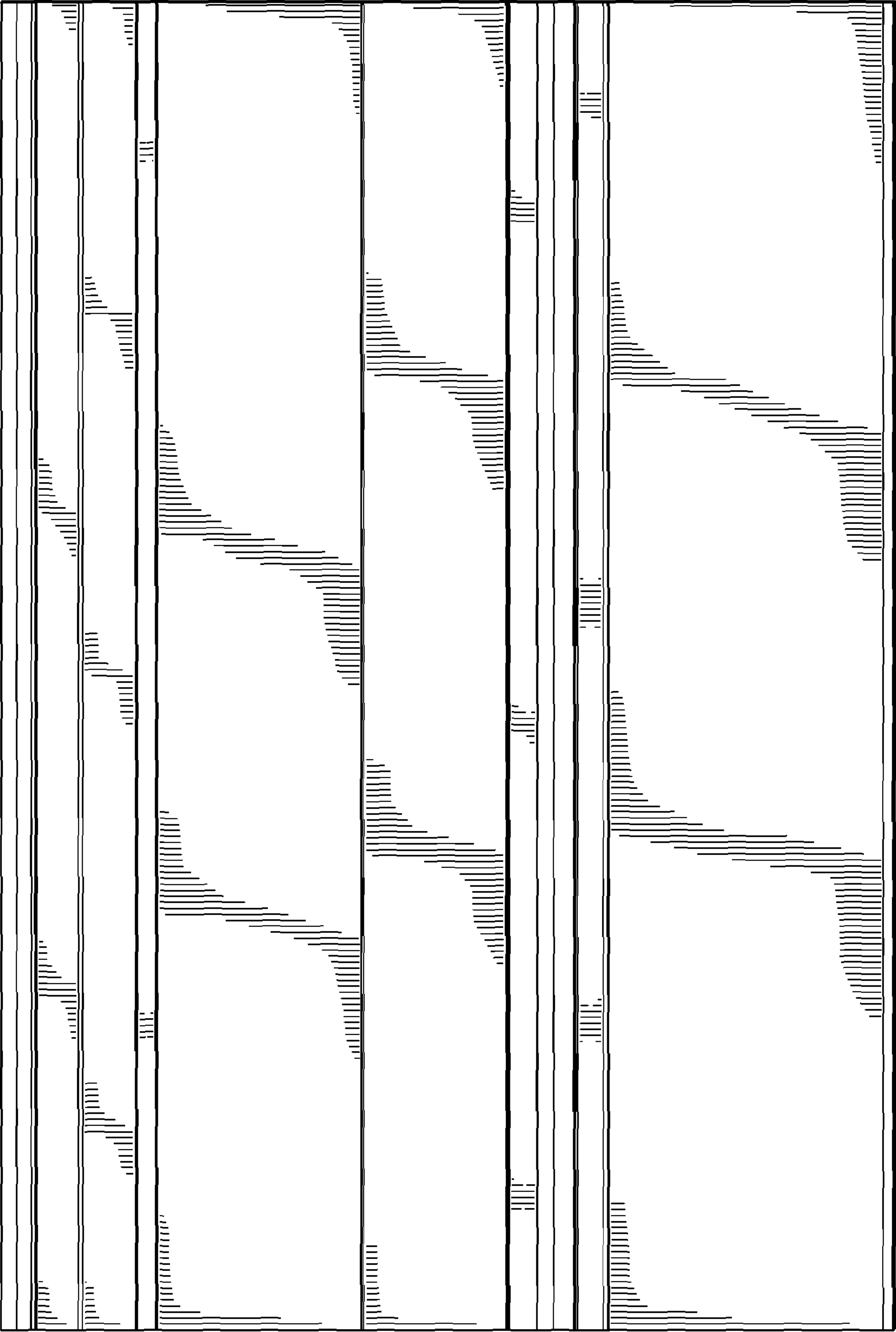


FIG. 5

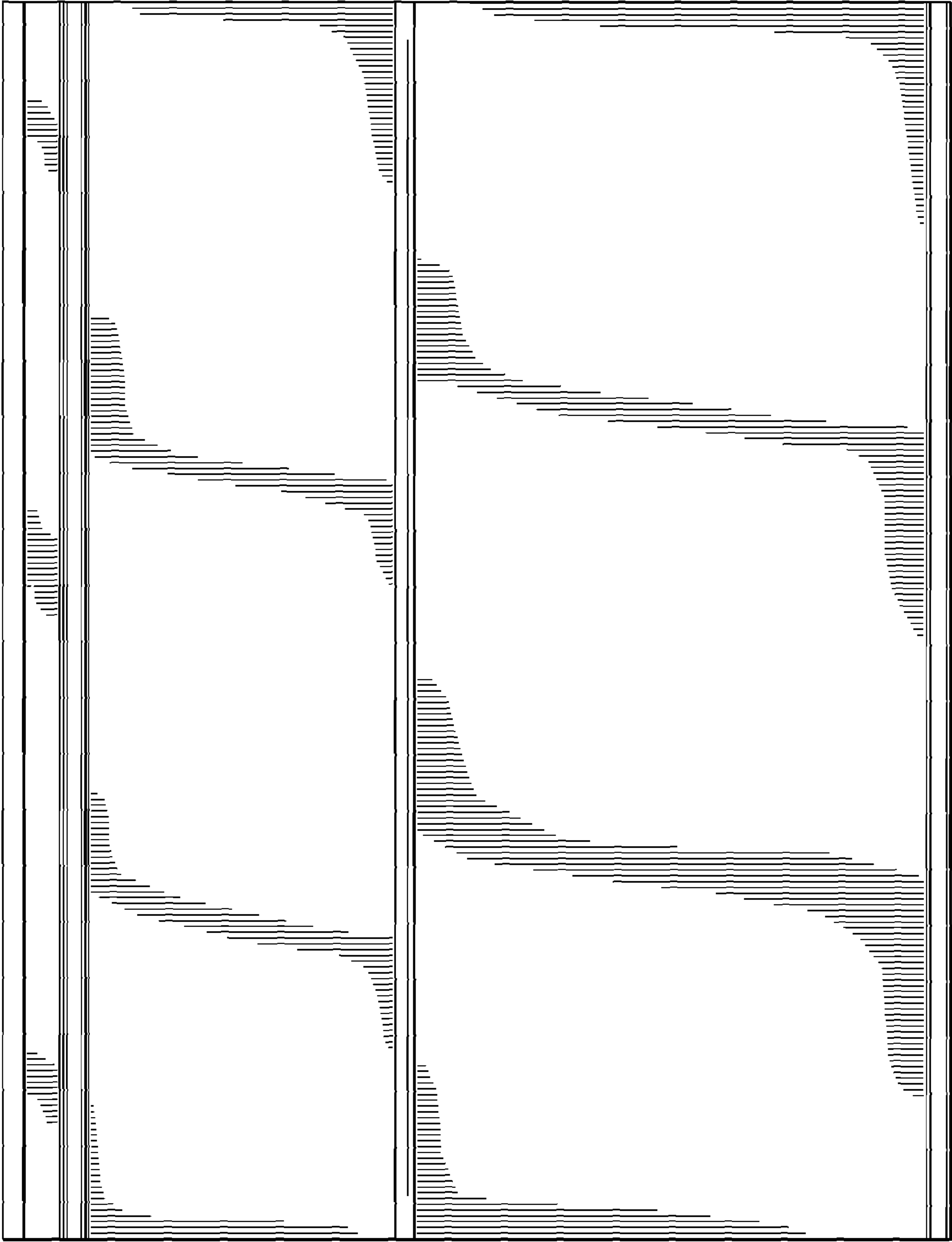


FIG. 7