



US00D615665S

(12) **United States Design Patent**
Berthon

(10) **Patent No.:** **US D615,665 S**
(45) **Date of Patent:** **** May 11, 2010**

(54) **GULLY COVER**

(75) Inventor: **Francis Berthon**, Pompey (FR)

(73) Assignee: **Saint-Gobain Pam**, Nancy (FR)

(**) Term: **14 Years**

(21) Appl. No.: **29/268,948**

(22) Filed: **Nov. 17, 2006**

(30) **Foreign Application Priority Data**

May 17, 2006 (FR) 06 2346

(51) **LOC (9) Cl.** **25-03**

(52) **U.S. Cl.** **D25/36**

(58) **Field of Classification Search** D25/36;
404/25-26, 36; 52/19-20

See application file for complete search history.

(56) **References Cited**

U.S. PATENT DOCUMENTS

911,256	A *	2/1909	McWane	220/251
1,923,481	A *	8/1933	Ford	220/484
3,046,853	A *	7/1962	Legendre	404/25
D291,833	S *	9/1987	Shore et al.	D25/36
4,840,514	A *	6/1989	Defrance et al.	404/25
D306,482	S *	3/1990	Milo	D25/36
D428,658	S *	7/2000	Glab et al.	D25/36
D428,999	S *	8/2000	Glab et al.	D25/36
2006/0127178	A1 *	6/2006	Akkala et al.	404/25

* cited by examiner

Primary Examiner—T. Chase Nelson
Assistant Examiner—Eric L Goodman

(74) *Attorney, Agent, or Firm*—Oblon, Spivak, McClelland, Maier & Neustadt, L.L.P.

(57) **CLAIM**

The ornamental design for a gully cover, as shown and described.

DESCRIPTION

FIG. 1 is a front elevational view of a gully cover, showing my design;

FIG. 2 is a rear elevational view thereof;

FIG. 3 is a front bottom perspective view thereof showing a base portion and a cover portion that is pivoted upward to an open position;

FIG. 4 is a rear elevational view of the base portion thereof with the cover portion removed; and,

FIG. 5 is an enlarged front, left side, bottom perspective view of a section of the base portion shown in FIG. 3 with the cover portion removed.

The colors and all surface indicia, such as symbols, letters, corporate logos, and other markings, shown in FIGS. 1-5 are hereby disclaimed and therefore form no part of the claimed design.

Furthermore, any background colors and shadowing in the figures form no part of the claimed design.

The broken lines in the drawings depict environmental subject matter only and form no part of the claimed design.

1 Claim, 5 Drawing Sheets

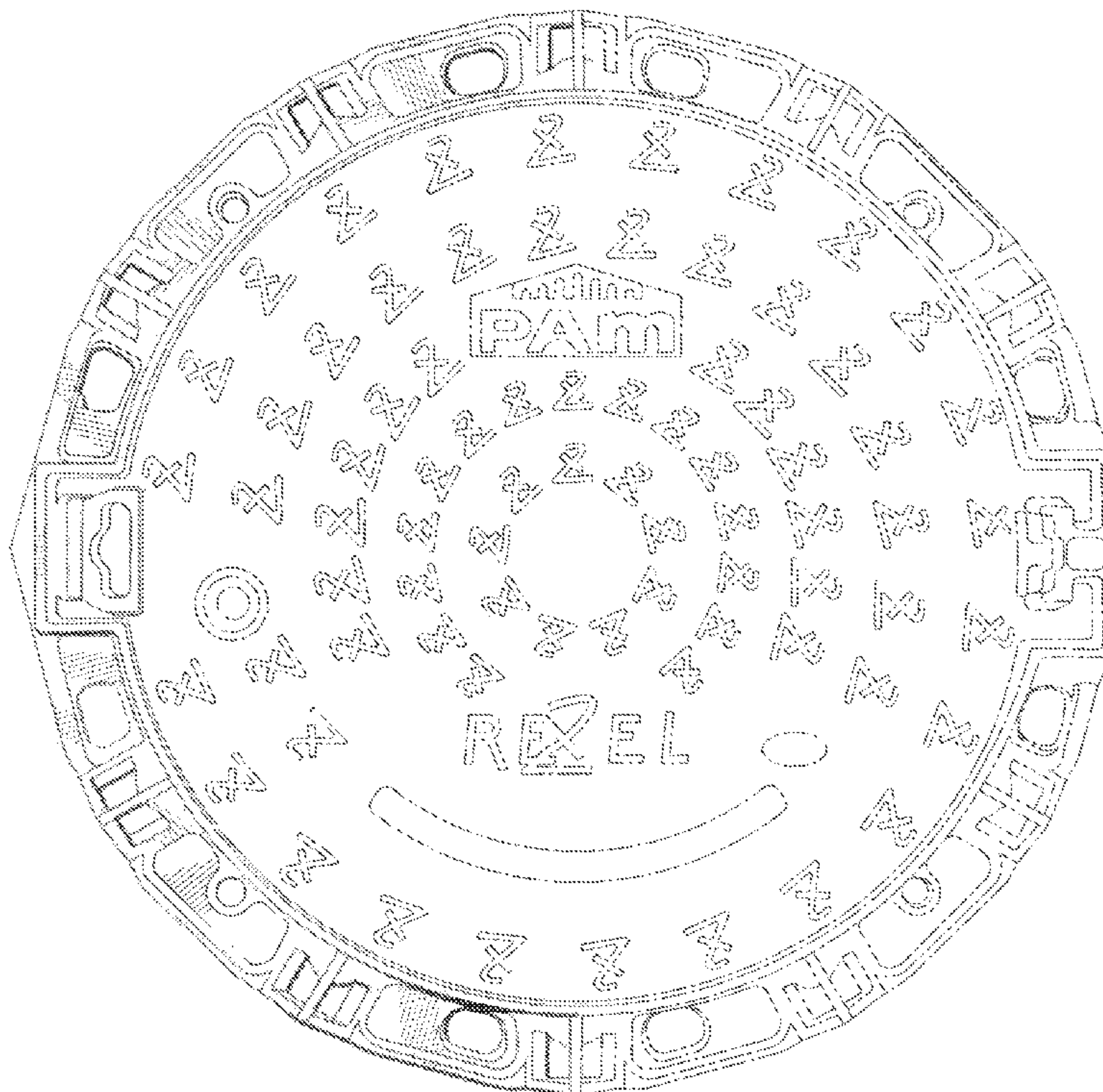




Fig. 1

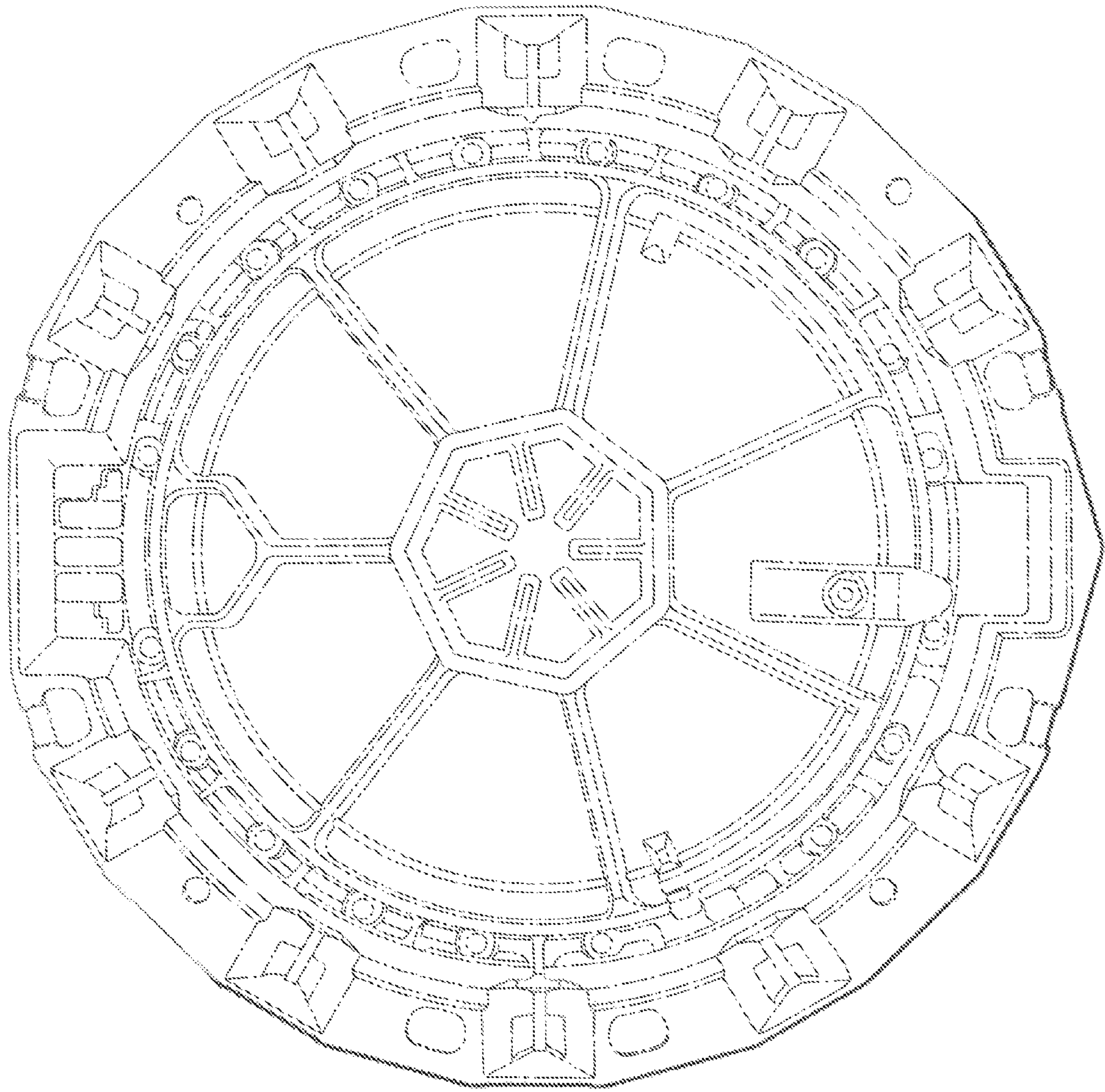


Fig. 2

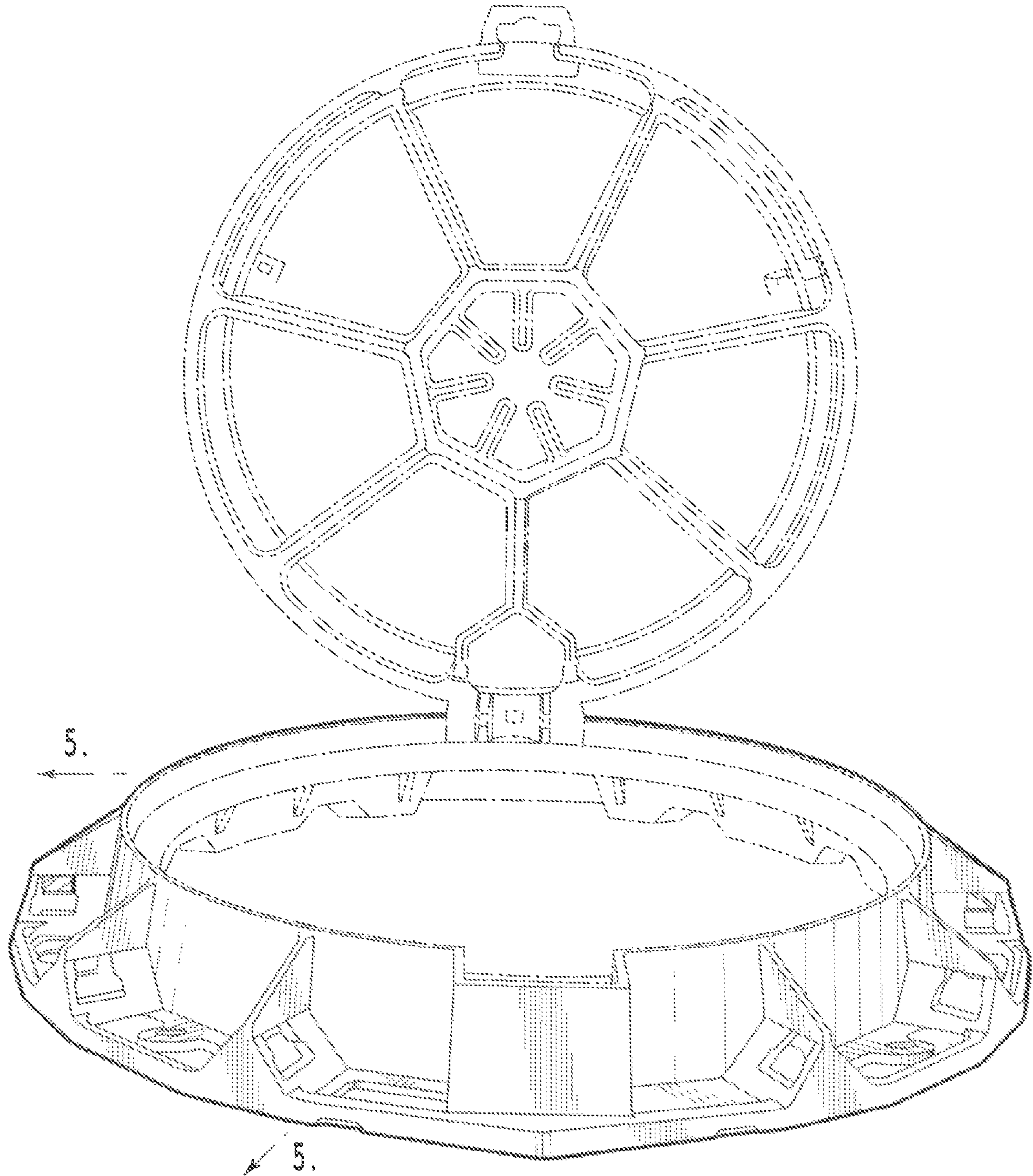


Fig. 3

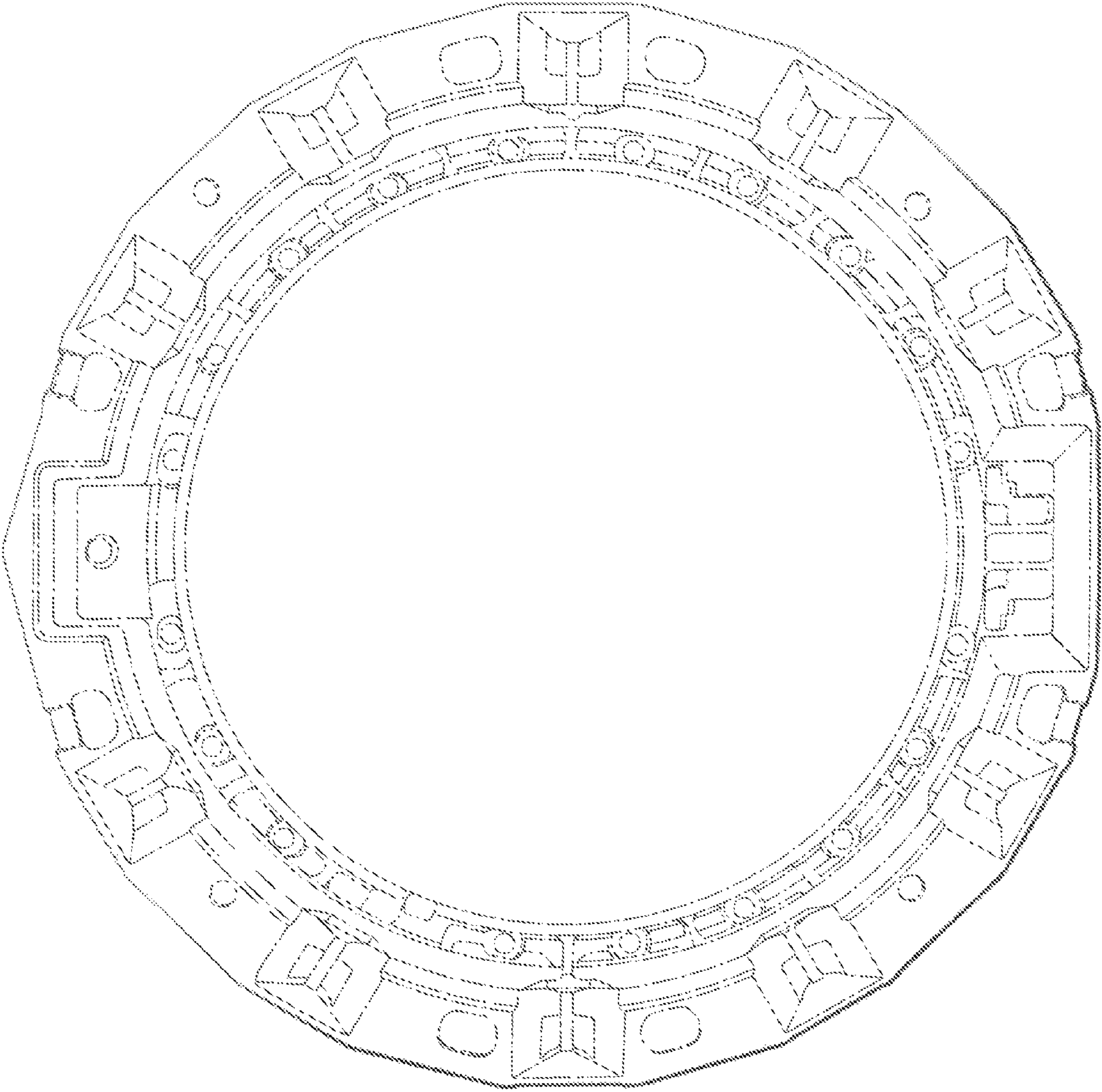


Fig. 4

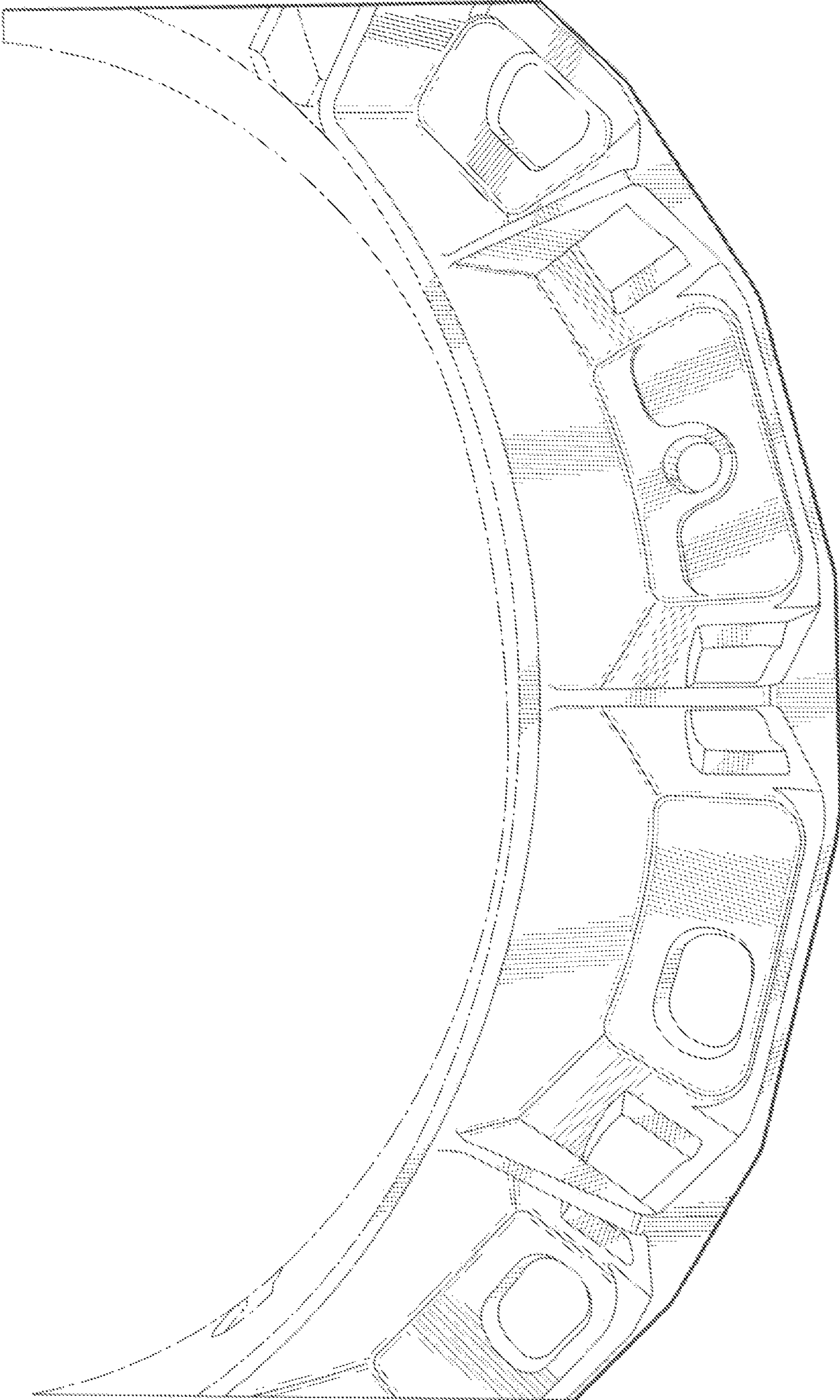


Fig. 5