



US00D615658S

(12) **United States Design Patent**
Anderson et al.

(10) **Patent No.:** **US D615,658 S**

(45) **Date of Patent:** **** May 11, 2010**

(54) **PHYSIOLOGICAL SENSOR**

(75) Inventors: **Arik Anderson**, Birmingham, MI (US);
Ronald A. Widman, Macomb, MI (US);
Oleg Gonopolskiy, West Bloomfield, MI (US)

(73) Assignee: **Somanetics Corporation**, Troy, MI (US)

(**) Term: **14 Years**

(21) Appl. No.: **29/331,818**

(22) Filed: **Feb. 2, 2009**

(51) **LOC (9) Cl.** **24-01**

(52) **U.S. Cl.** **D24/187**

(58) **Field of Classification Search** D24/168,
D24/186-187, 200, 232; D13/182; 600/372-384,
600/391; 607/62, 109, 121, 129, 139; 427/2.12
See application file for complete search history.

(56) **References Cited**

U.S. PATENT DOCUMENTS

D232,590 S *	8/1974	Testa	D24/168
D243,476 S *	2/1977	Avery	D24/187
D272,943 S *	3/1984	Stone et al.	D24/187
D273,514 S *	4/1984	Heilman et al.	D24/168
D274,262 S *	6/1984	Heilman et al.	D24/168
4,524,087 A *	6/1985	Engel	427/2.12
5,042,463 A *	8/1991	Lekholm	607/129
D369,667 S *	5/1996	Vincentis et al.	D24/187
D378,614 S *	3/1997	Jensen	D24/187
D385,037 S *	10/1997	Jensen	D24/187
D429,337 S *	8/2000	Sanfilippo	D24/187
D457,634 S *	5/2002	Rouns et al.	D24/168
D458,376 S *	6/2002	Rouns et al.	D24/168
D468,433 S *	1/2003	Wagner et al.	D24/187
D492,782 S *	7/2004	Faller et al.	D24/167
D519,636 S *	4/2006	Okuda et al.	D24/168
D524,943 S *	7/2006	Faller et al.	D24/167
D541,421 S *	4/2007	Metzger et al.	D24/187
D561,900 S *	2/2008	Becsi et al.	D24/187
D567,949 S *	4/2008	Lash et al.	D24/168
D568,479 S *	5/2008	Mao et al.	D24/168

D584,414 S *	1/2009	Lash et al.	D24/187
D587,375 S *	2/2009	Mao et al.	D24/168
D600,352 S *	9/2009	Cryan	D24/187

* cited by examiner

Primary Examiner—T. Chase Nelson

Assistant Examiner—Mark Cavanna

(74) *Attorney, Agent, or Firm*—Rader, Fishman & Grauer PLLC

(57) **CLAIM**

The ornamental design of a physiological sensor, as shown and described.

DESCRIPTION

FIG. 1 is a bottom view of the first embodiment of a physiological sensor showing our new design. The cable and the contents of three rectangular portions are unclaimed. The cable is shown cut off to indicate that a specific length of cable forms no part of the claimed design.

FIG. 2 is a top view thereof.

FIG. 3 is an enlarged first side view thereof with the specific length of the cable and the cable unclaimed. The side view would be the same for the for FIGS. 7-8 with the exception of the claimed cord portion.

FIG. 4 is an enlarged opposite side view thereof.

FIG. 5 is an enlarged front view thereof.

FIG. 6 is an enlarged back view thereof.

FIG. 7 is a bottom view of the second embodiment of a physiological sensor with a cable attached. The contents of three rectangular portions are unclaimed. The cable is shown cut off to indicate that a specific length of cable forms no part of the claimed design.

FIG. 8 is a top view thereof.

FIG. 9 is a bottom view of the third embodiment of a physiological sensor with a liner disposed thereon. The cable and the contents of three rectangular portions are unclaimed. The cable is shown cut off to indicate that a specific length of cable forms no part of the claimed design.

FIG. 10 is a top view thereof.

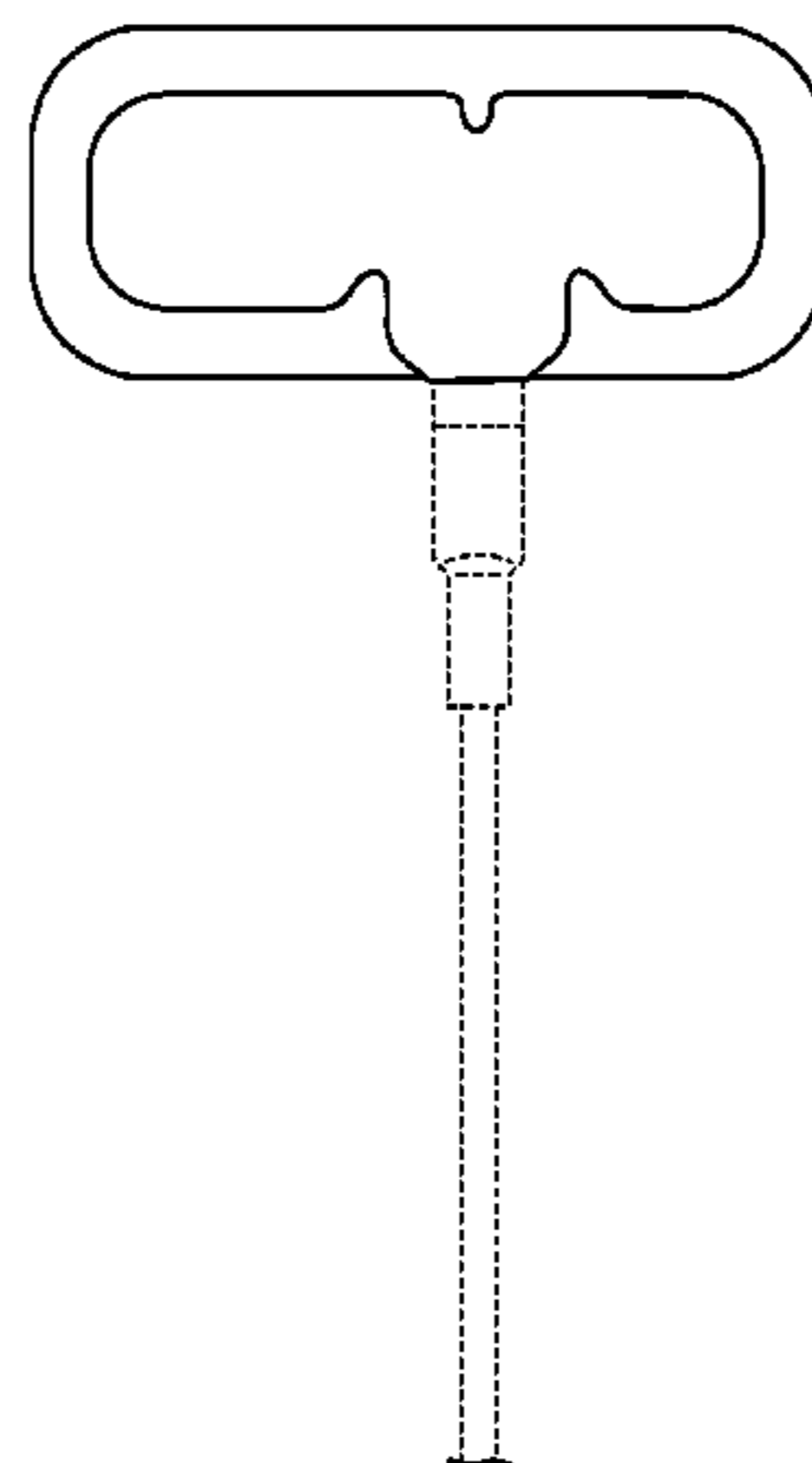
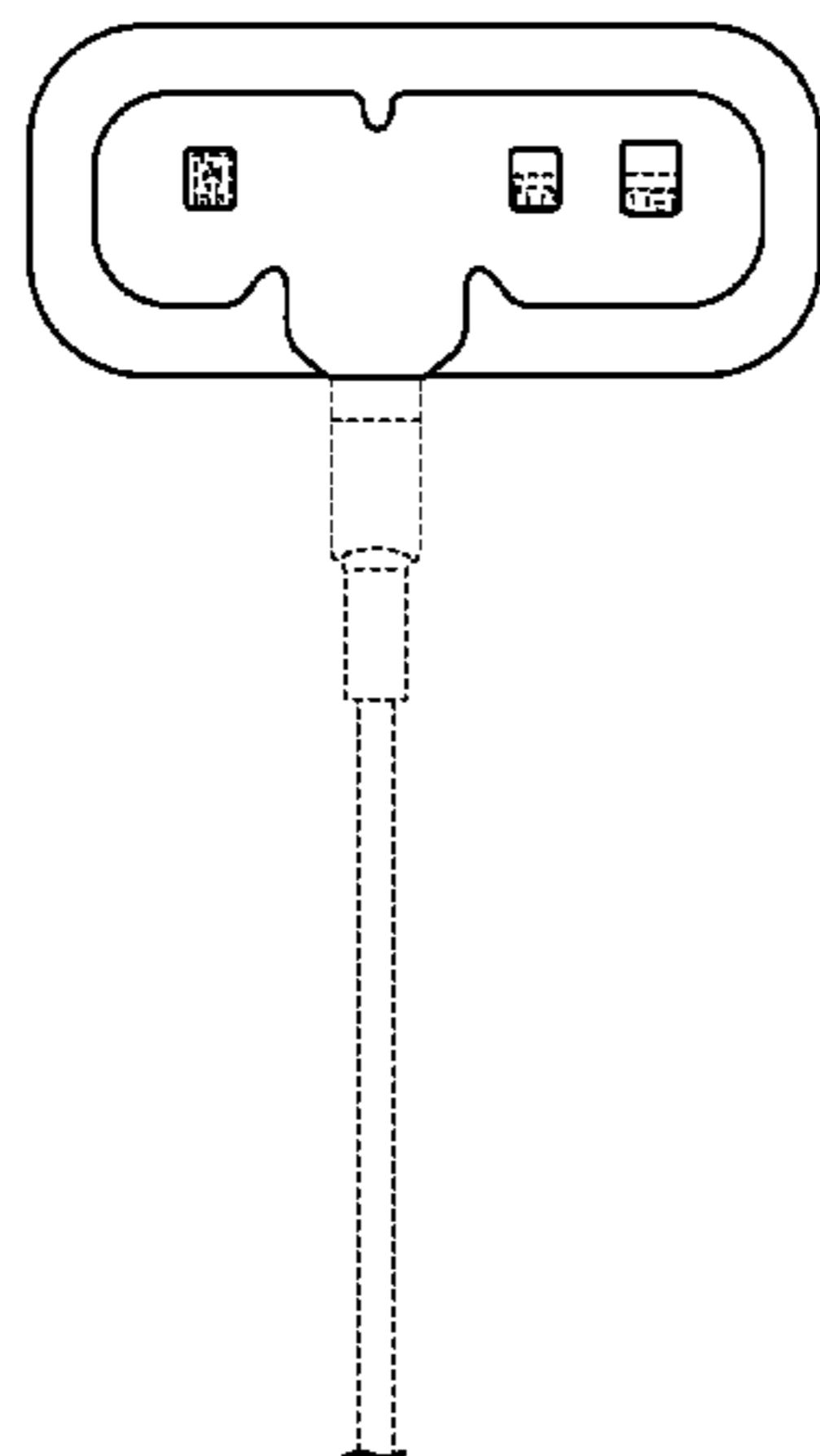


FIG. 11 is a bottom view of the fourth embodiment of a physiological sensor with liner disposed thereon with a cable attached. The cable, rectangular tab liner and the three rectangular portions are unclaimed. The cable is shown cut off to indicate that a specific length of cable forms no part of the claimed design.

FIG. 12 is a bottom view of the fifth embodiment of a physiological sensor with a slit liner disposed thereon with a cable attached. The cable and the contents of three rectangular portions are unclaimed. The cable is shown cut off to indicate that a specific length of cable forms no part of the claimed design.

FIG. 13 is an enlarged first side view for FIGS. 9–10, 12 and 20 with the specific length of the cable and the cable unclaimed. The side view would be the same for FIGS. 11 and 19 with the exception of the unclaimed rectangular tab liner. The side view would be the same for FIGS. 17–18 with the exception of the claimed cord portion.

FIG. 14 is an enlarged opposite side view thereof.

FIG. 15 is an enlarged front view thereof.

FIG. 16 is an enlarged back view thereof.

FIG. 17 is a bottom view of the sixth embodiment of a physiological sensor with a liner disposed thereon with a cable attached. The contents of three rectangular portions are unclaimed. The cable is shown cut off to indicate that a specific length of cable forms no part of the claimed design.

FIG. 18 is a top view thereof.

FIG. 19 is a bottom plan view of the seventh embodiment of a physiological sensor with liner disposed thereon with a cable attached. The rectangular tab liner and the three rectangular portions are unclaimed. The cable is shown cut off to indicate that a specific length of cable forms no part of the claimed design; and,

FIG. 20 is a bottom view of the eighth embodiment of a physiological sensor with a slit liner disposed thereon with a cable attached. The contents of three rectangular portions are unclaimed. The cable is shown cut off to indicate that a specific length of cable forms no part of the claimed design.

The broken lines are included for the purpose of illustrating portions of the physiological sensor that form no part of the claimed design.

1 Claim, 8 Drawing Sheets

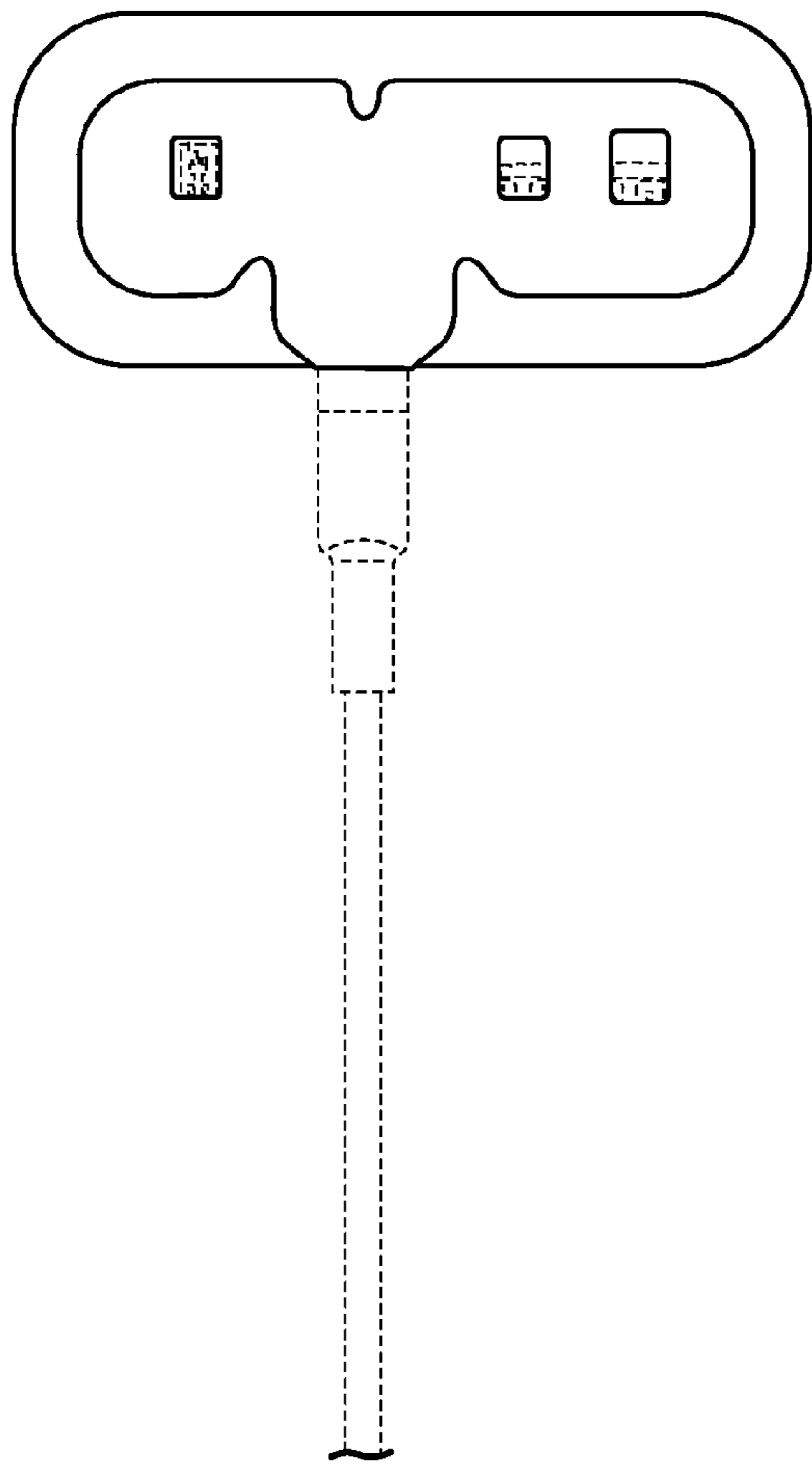


FIG. 1

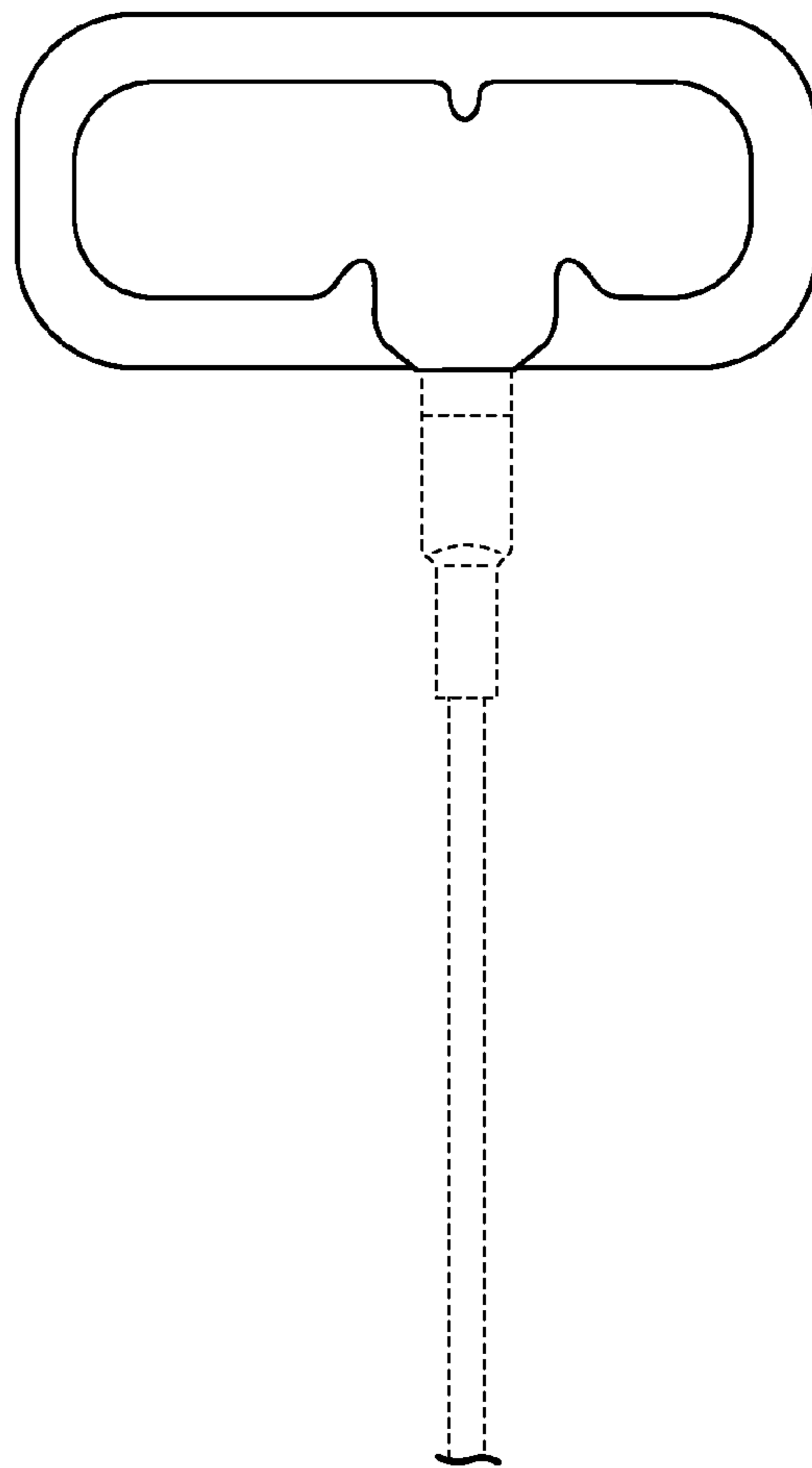


FIG. 2

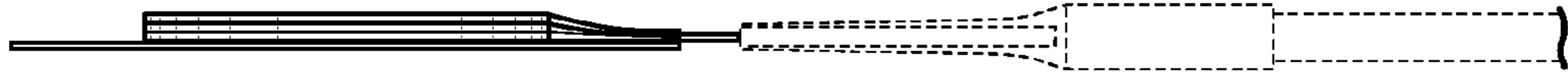


FIG. 3

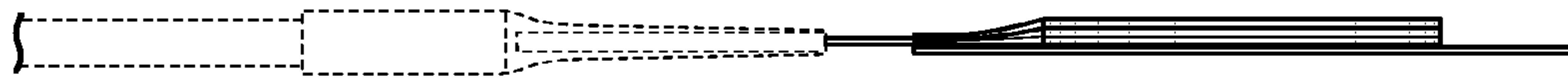


FIG. 4



FIG. 5



FIG. 6

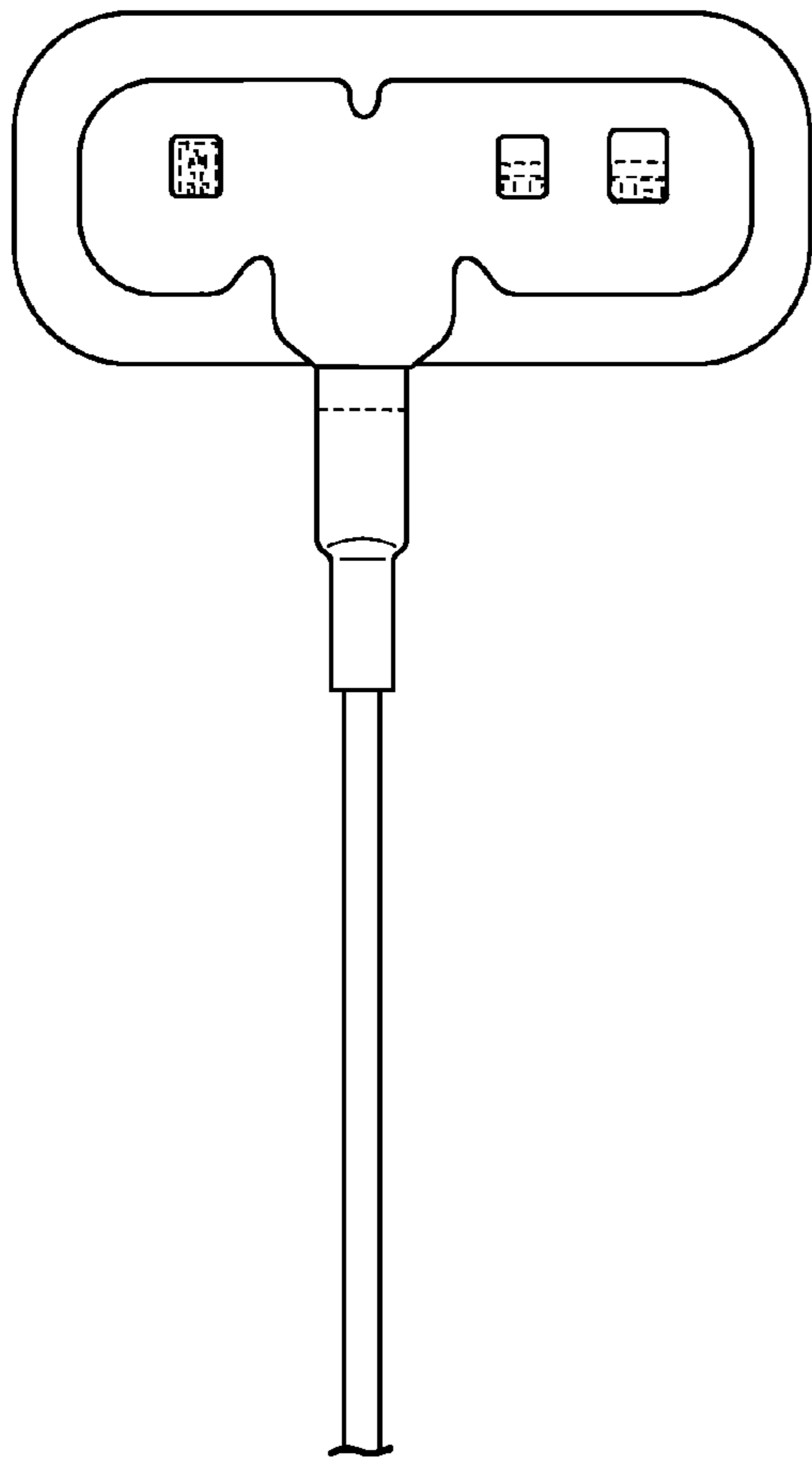


FIG. 7

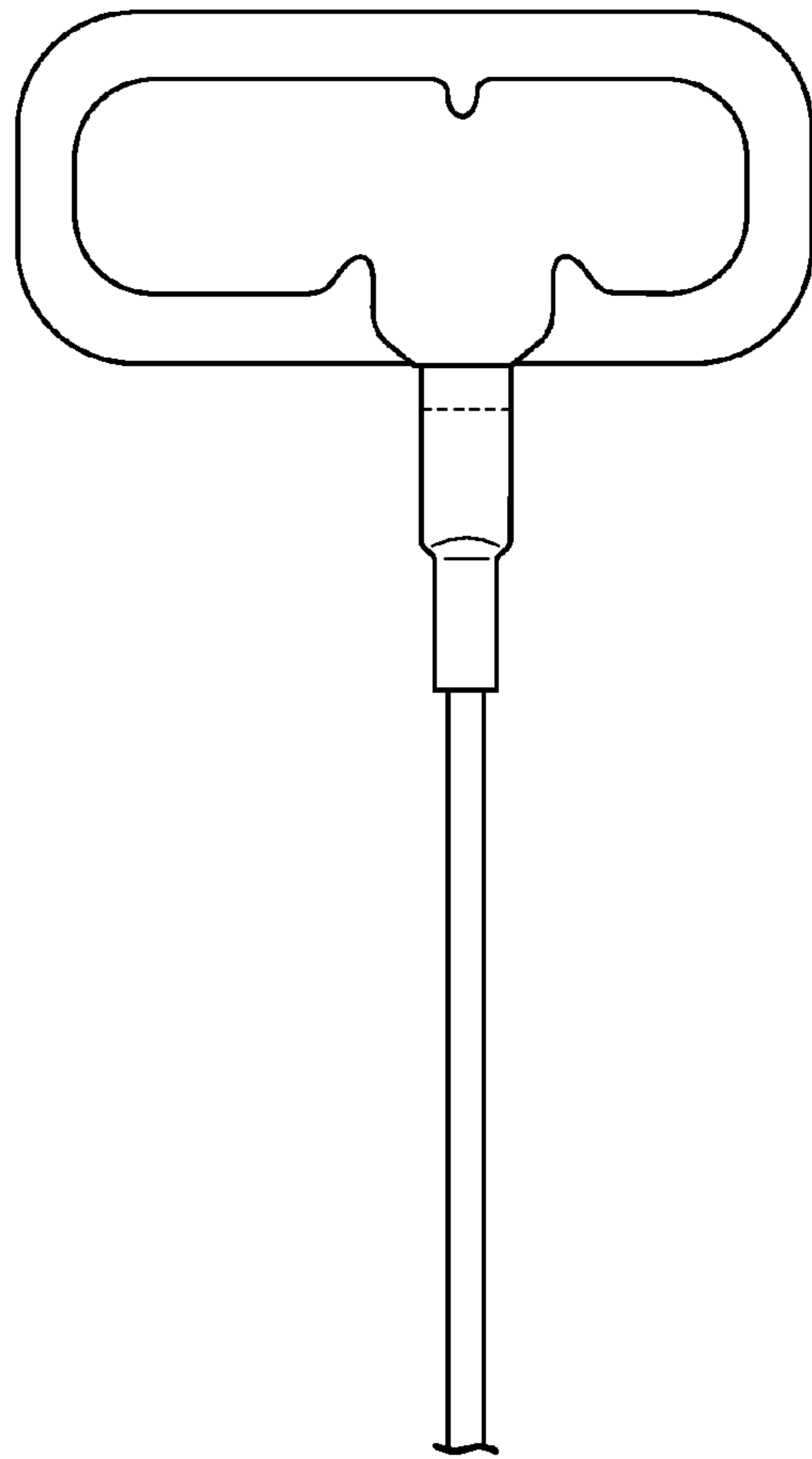


FIG. 8

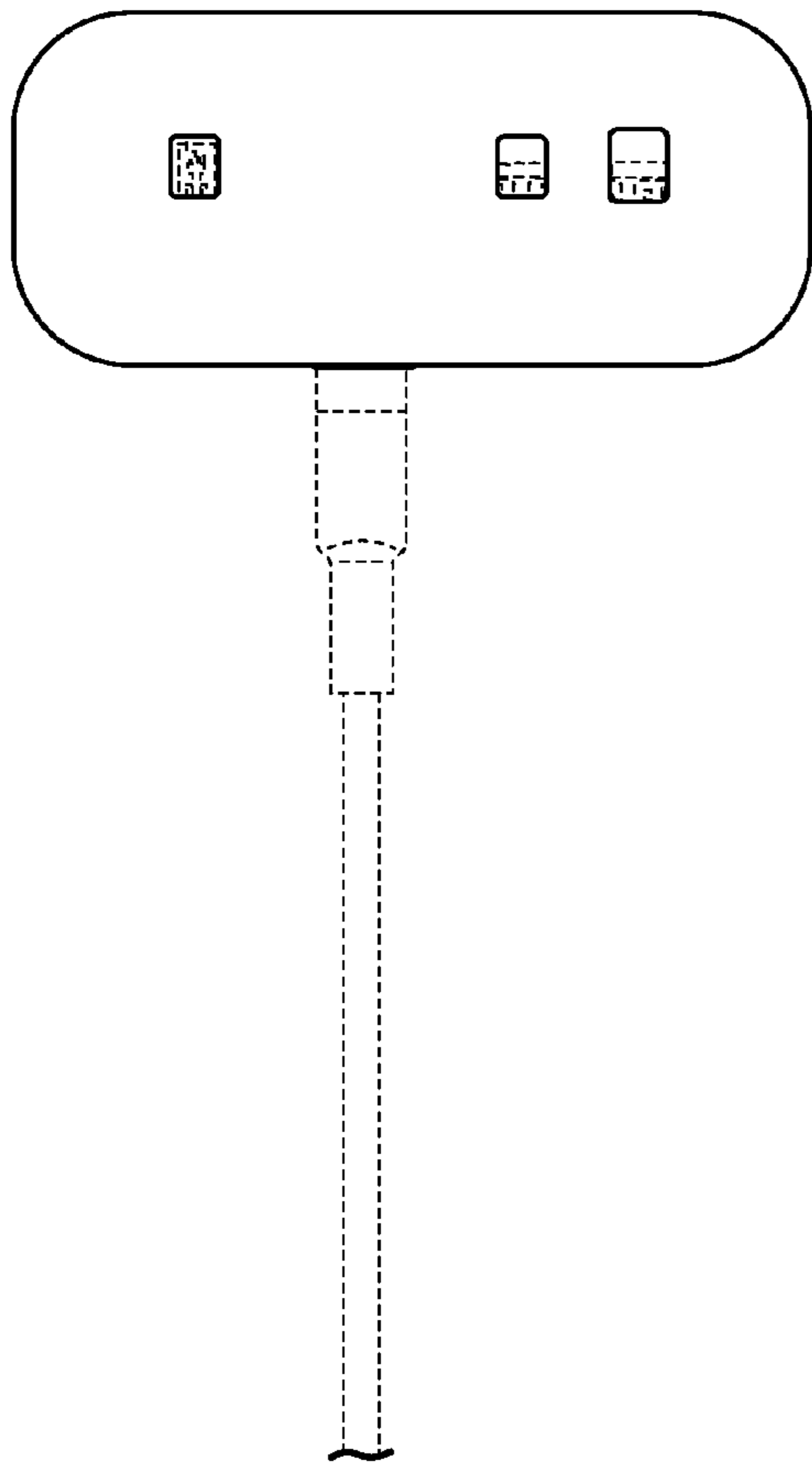


FIG. 9

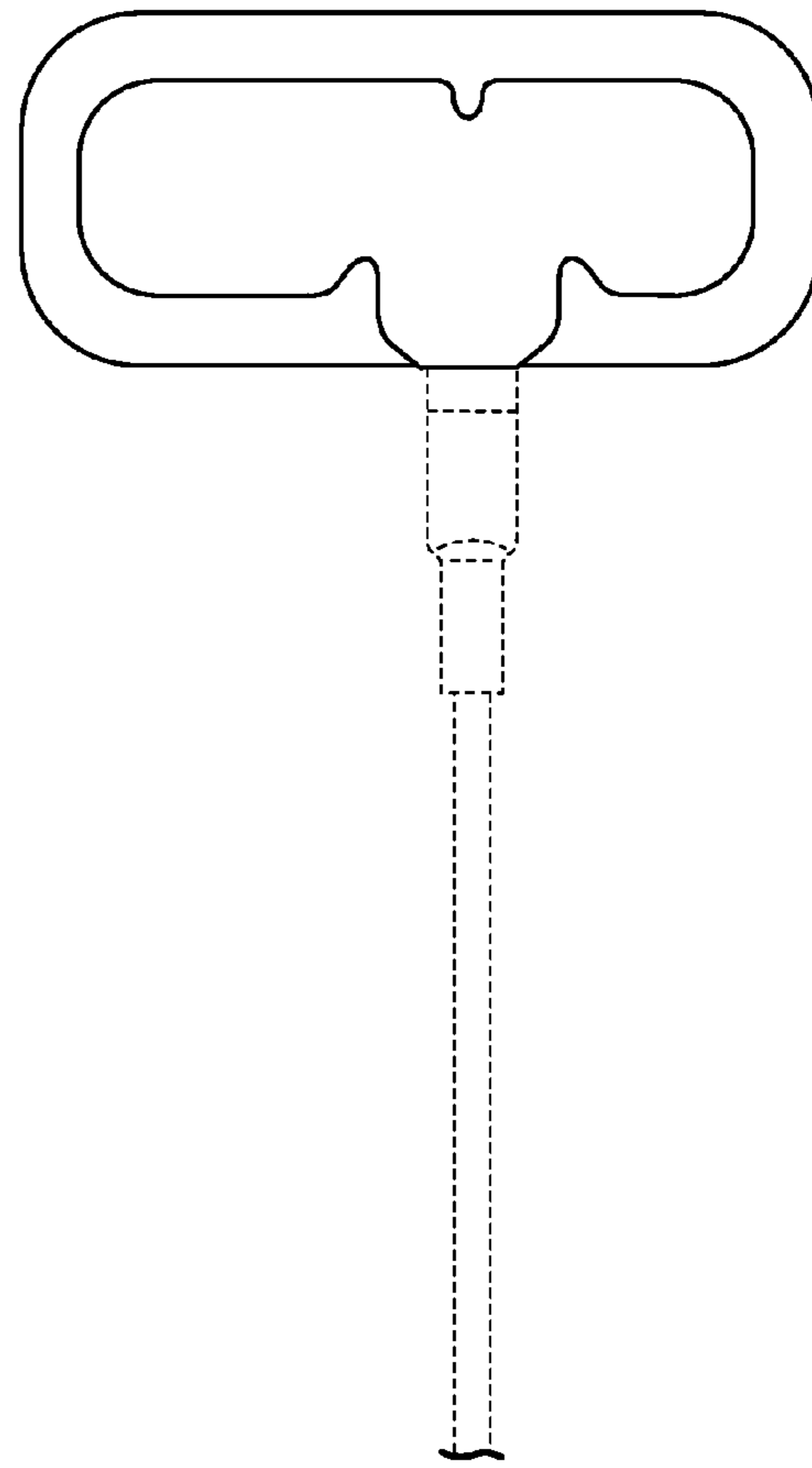


FIG. 10

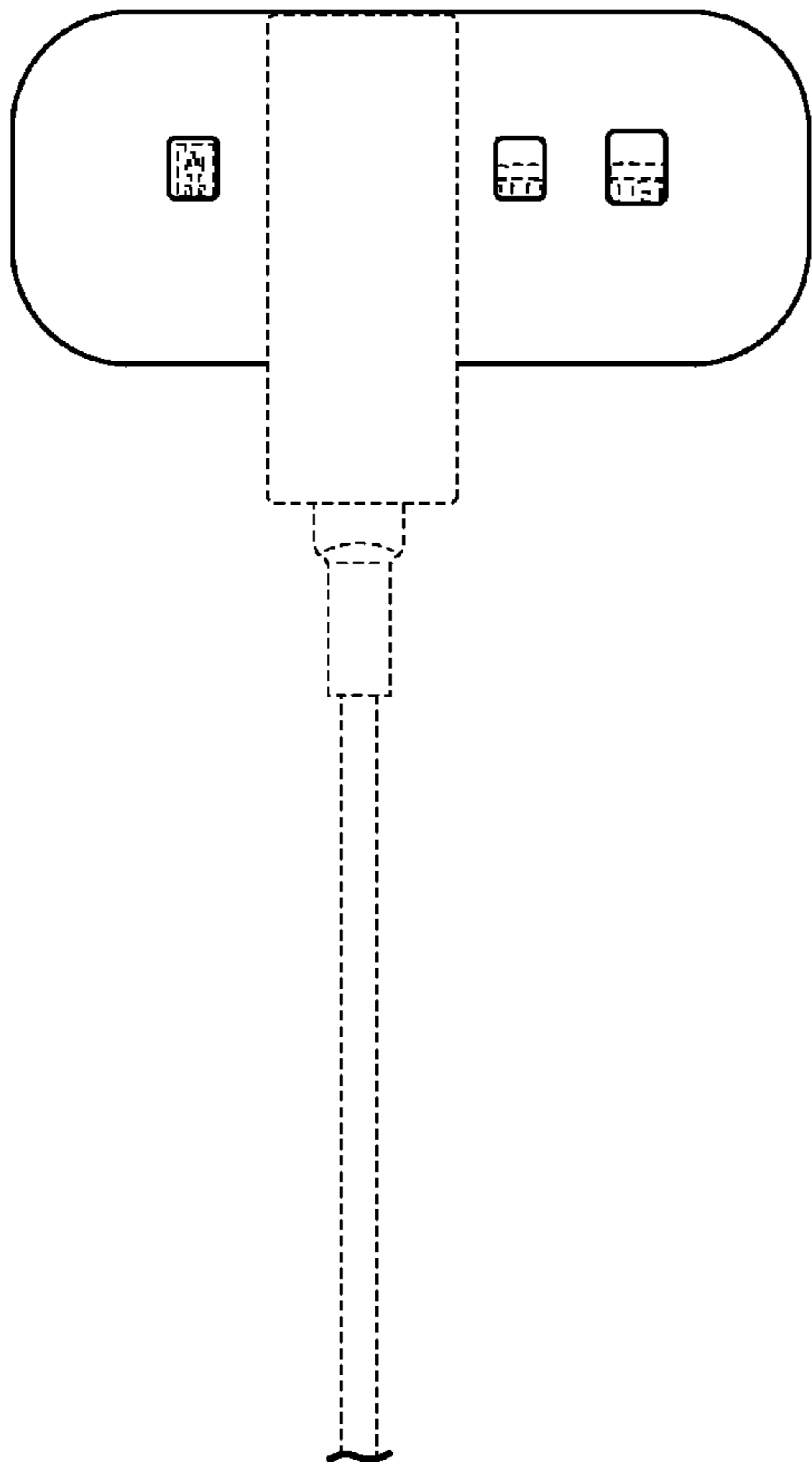


FIG. 11

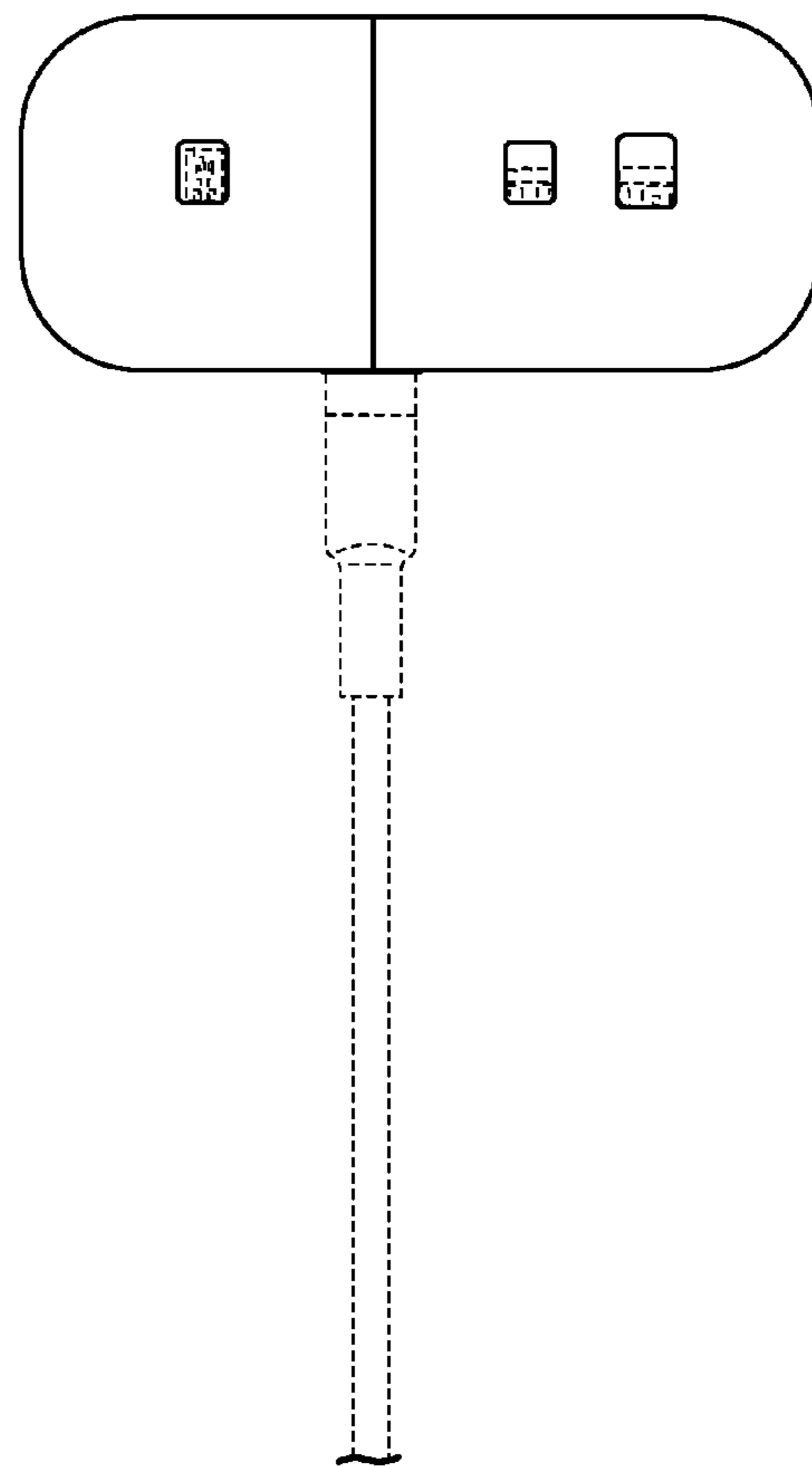


FIG. 12

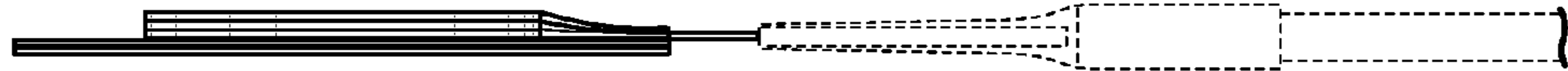


FIG. 13

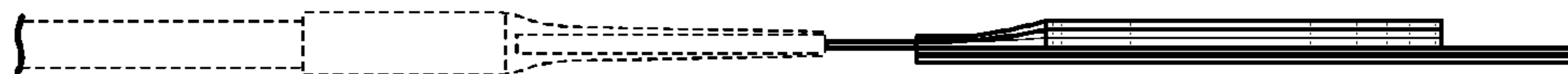


FIG. 14



FIG. 15



FIG. 16

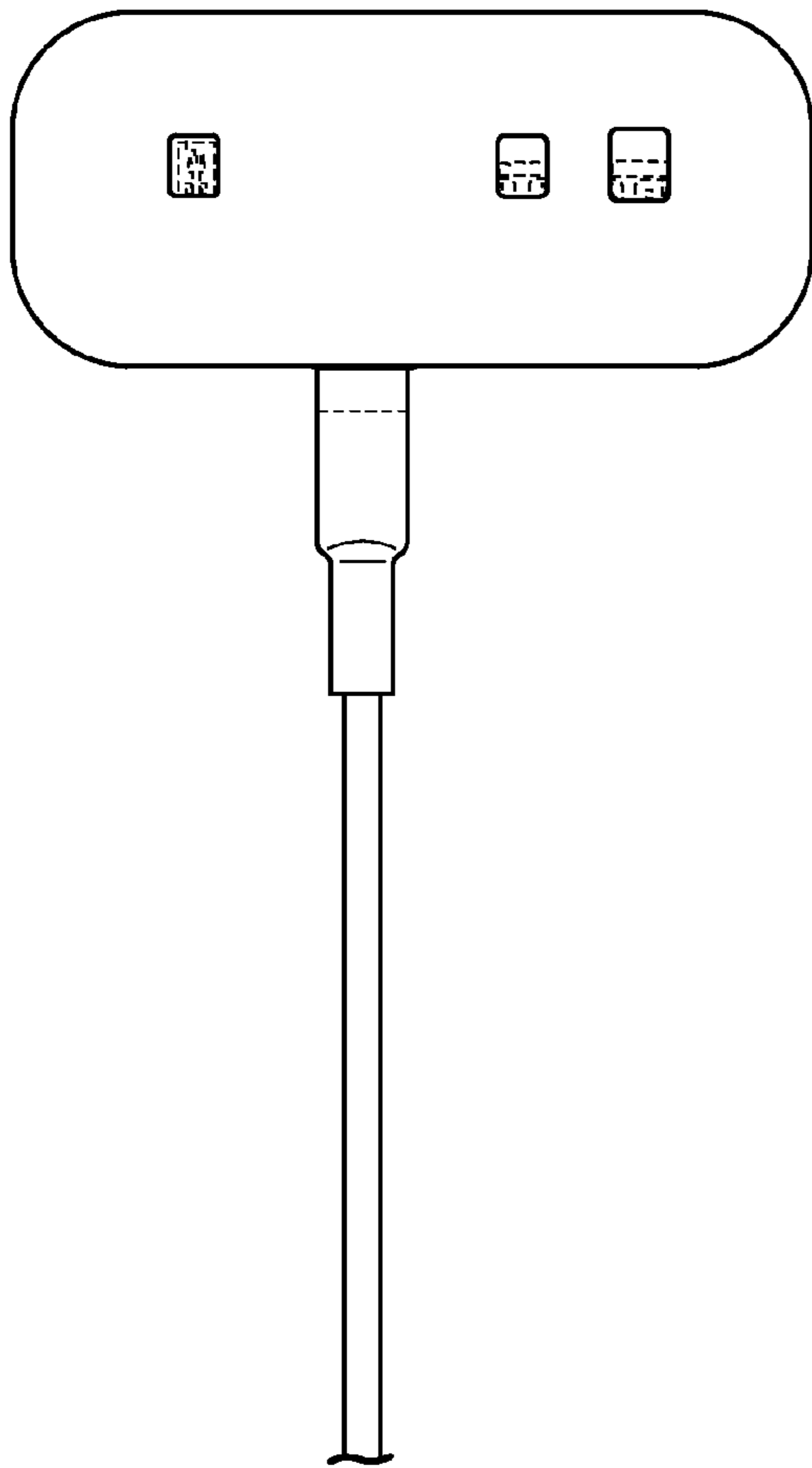


FIG. 17

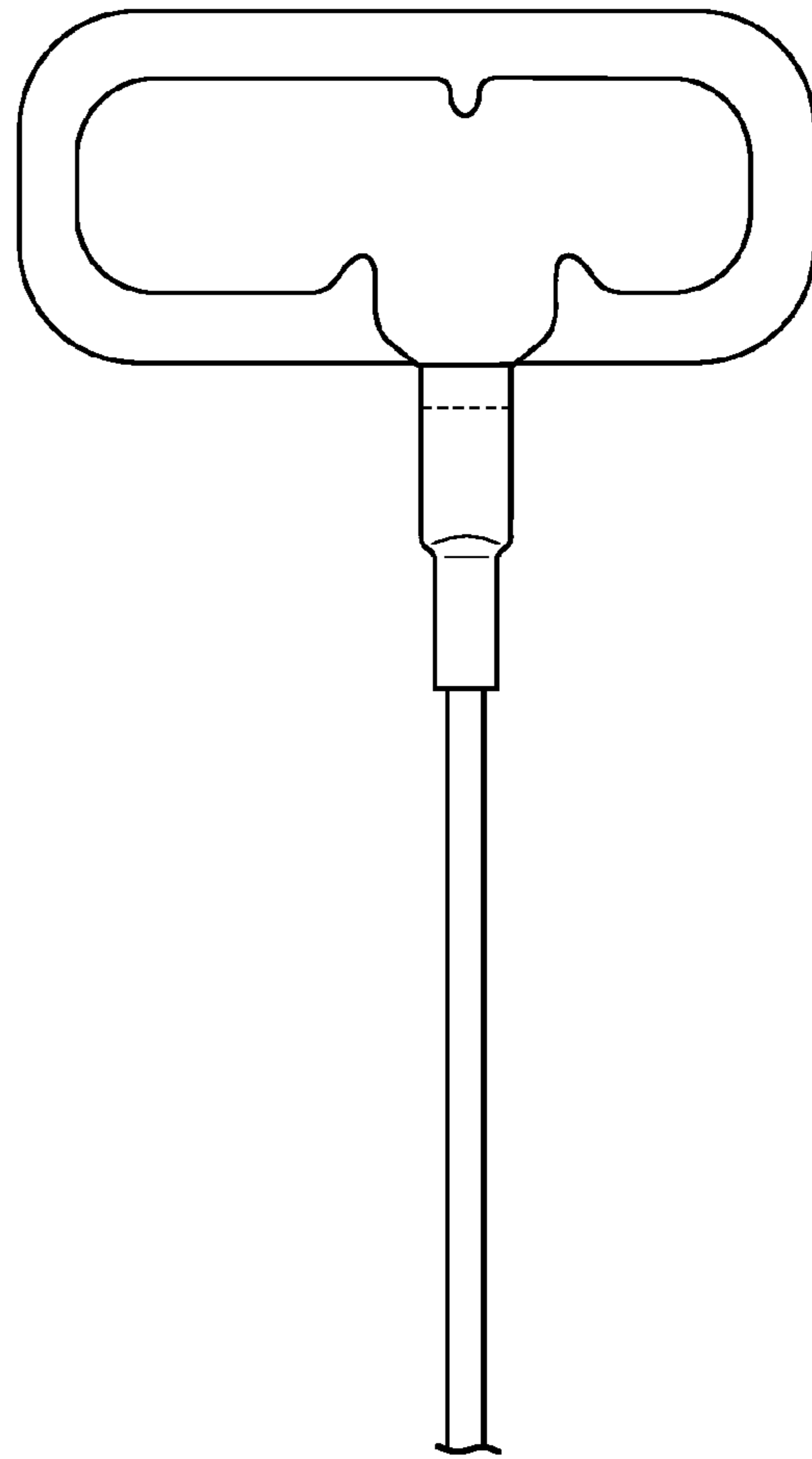


FIG. 18

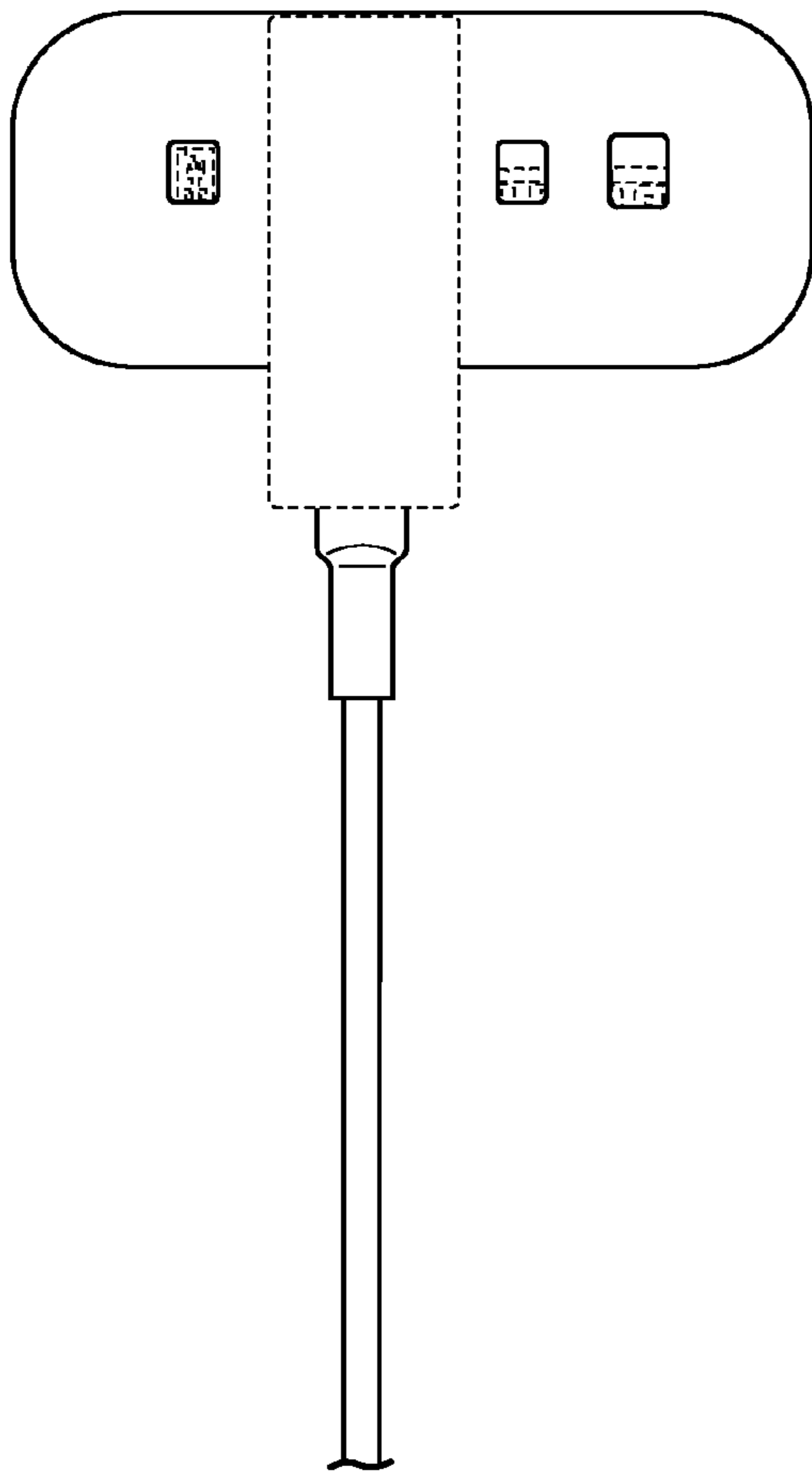


FIG. 19

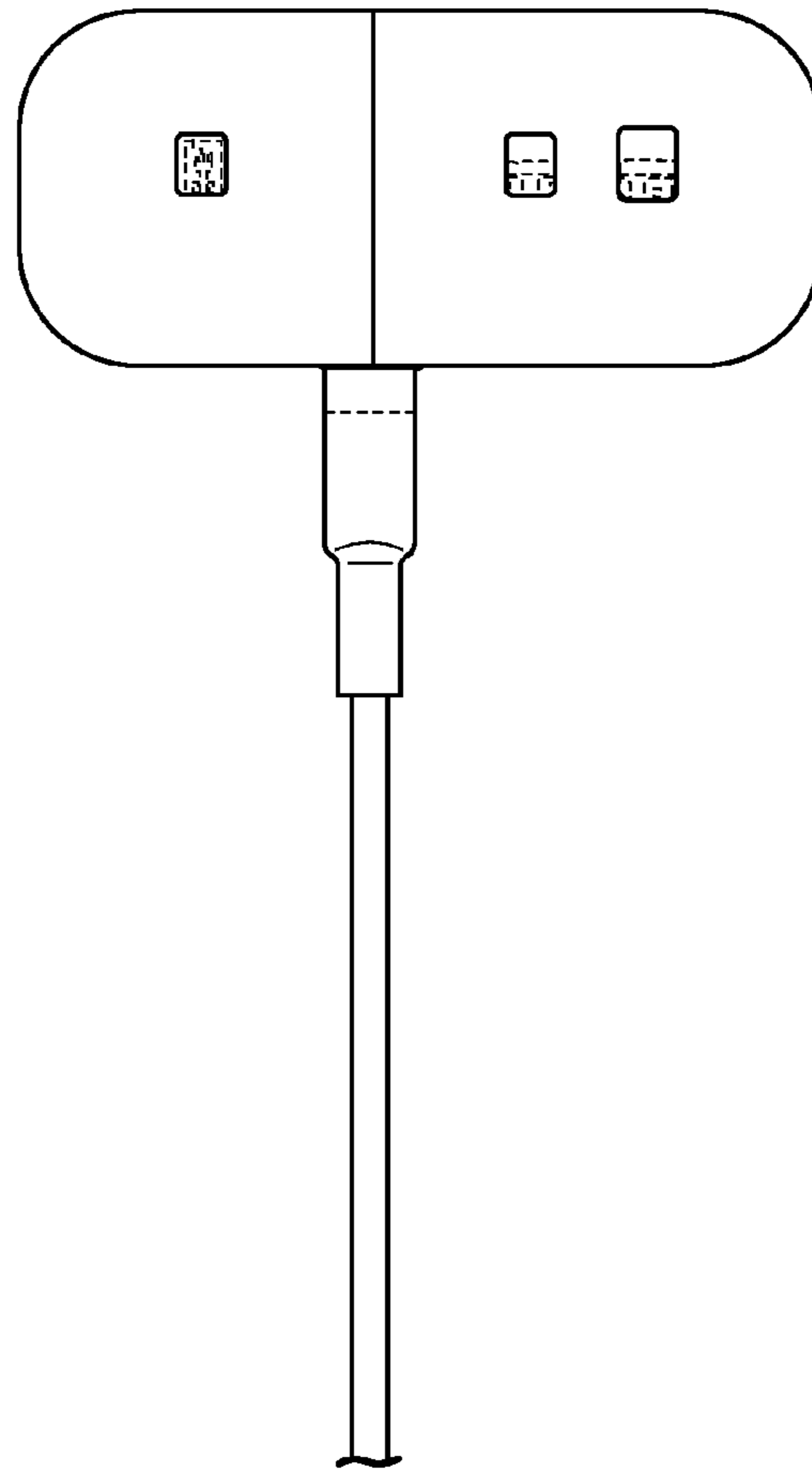


FIG. 20

UNITED STATES PATENT AND TRADEMARK OFFICE
CERTIFICATE OF CORRECTION

PATENT NO. : Des. 615,658 S
APPLICATION NO. : 29/331818
DATED : May 11, 2010
INVENTOR(S) : Arik Anderson et al.

Page 1 of 1

It is certified that error appears in the above-identified patent and that said Letters Patent is hereby corrected as shown below:

In the Description:

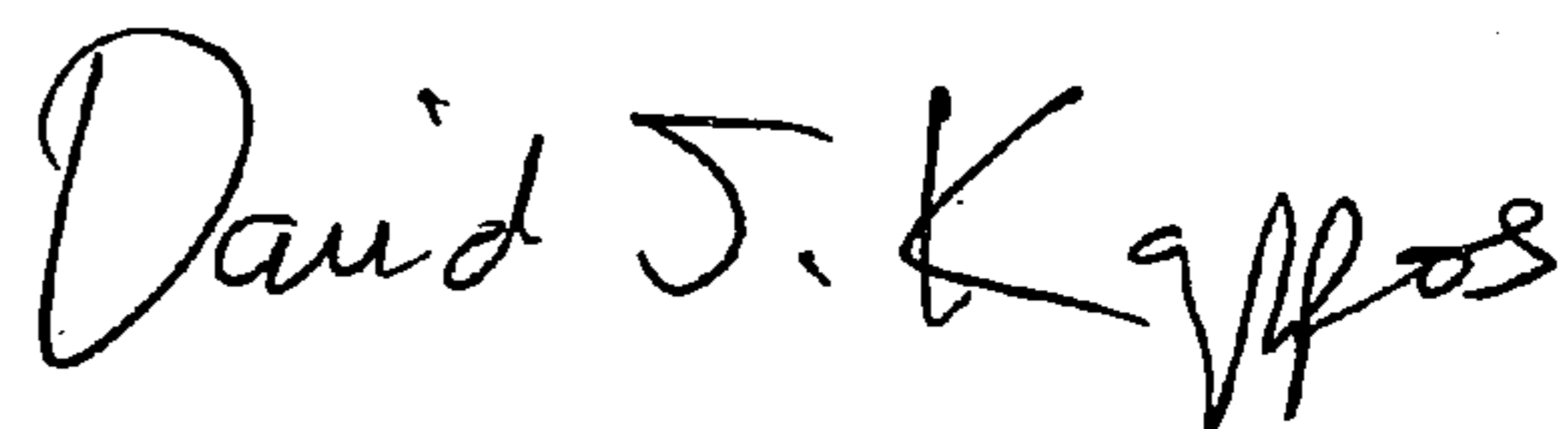
For FIG. 3: Change “would be the same for the for FIGS. 7-8 with the exception of”
to --would be the same for FIGS. 7-8 with the exception of--

For FIG. 4: Change “FIG. 4 is an enlarged oppisite side view thereof.” to --FIG. 4
is an enlarged opposite side view thereof.--

For FIG. 20: Change “FIG. 20 is a bottom view of the eight embodiment” to --FIG.
20 is a bottom view of the eighth embodiment--

Signed and Sealed this

Thirteenth Day of July, 2010



David J. Kappos
Director of the United States Patent and Trademark Office