



US00D615655S

(12) **United States Design Patent**  
**Maser et al.**

(10) **Patent No.:** **US D615,655 S**

(45) **Date of Patent:** **\*\* May 11, 2010**

(54) **FINGER TIP OXIMETER**

(75) Inventors: **Douglas R. Maser**, Rogers, MN (US);  
**Andrew Sanguinet**, Oak Park, IL (US)

(73) Assignee: **Nonin Medical, Inc.**, Plymouth, MN  
(US)

(\*\*) Term: **14 Years**

(21) Appl. No.: **29/334,673**

(22) Filed: **Mar. 31, 2009**

(51) **LOC (9) Cl.** ..... **24-02**

(52) **U.S. Cl.** ..... **D24/169**

(58) **Field of Classification Search** ..... D24/164,  
D24/165, 169, 186; 600/310, 323, 335, 340;  
D10/78, 81

See application file for complete search history.

(56) **References Cited**

U.S. PATENT DOCUMENTS

D317,501 S *	6/1991	Cheung et al.	.....	D24/169
D351,023 S *	9/1994	Walters	.....	D24/169
D392,740 S *	3/1998	Yung et al.	.....	D24/169
D430,812 S *	9/2000	Levin et al.	.....	D10/81
D444,235 S *	6/2001	Roberts et al.	.....	D24/169
D455,834 S *	4/2002	Donars et al.	.....	D24/169
D460,559 S *	7/2002	Knieriem et al.	.....	D24/186
D463,561 S *	9/2002	Fukatsu et al.	.....	D24/165

D545,438 S *	6/2007	Huang et al.	.....	D24/186
D562,985 S *	2/2008	Brefka et al.	.....	D24/186
2009/0043180 A1 *	2/2009	Tschautscher et al.	.....	600/323

\* cited by examiner

*Primary Examiner*—T. Chase Nelson

*Assistant Examiner*—Anhdao Doan

(74) *Attorney, Agent, or Firm*—Schwegman, Lundberg & Woessner, P.A.

(57) **CLAIM**

The ornamental design for a finger tip oximeter, as shown and described.

**DESCRIPTION**

FIG. 1 is a perspective view of a finger tip oximeter showing our new design.

FIG. 2 is a front view thereof.

FIG. 3 is a rear view thereof.

FIG. 4 is a right side view thereof.

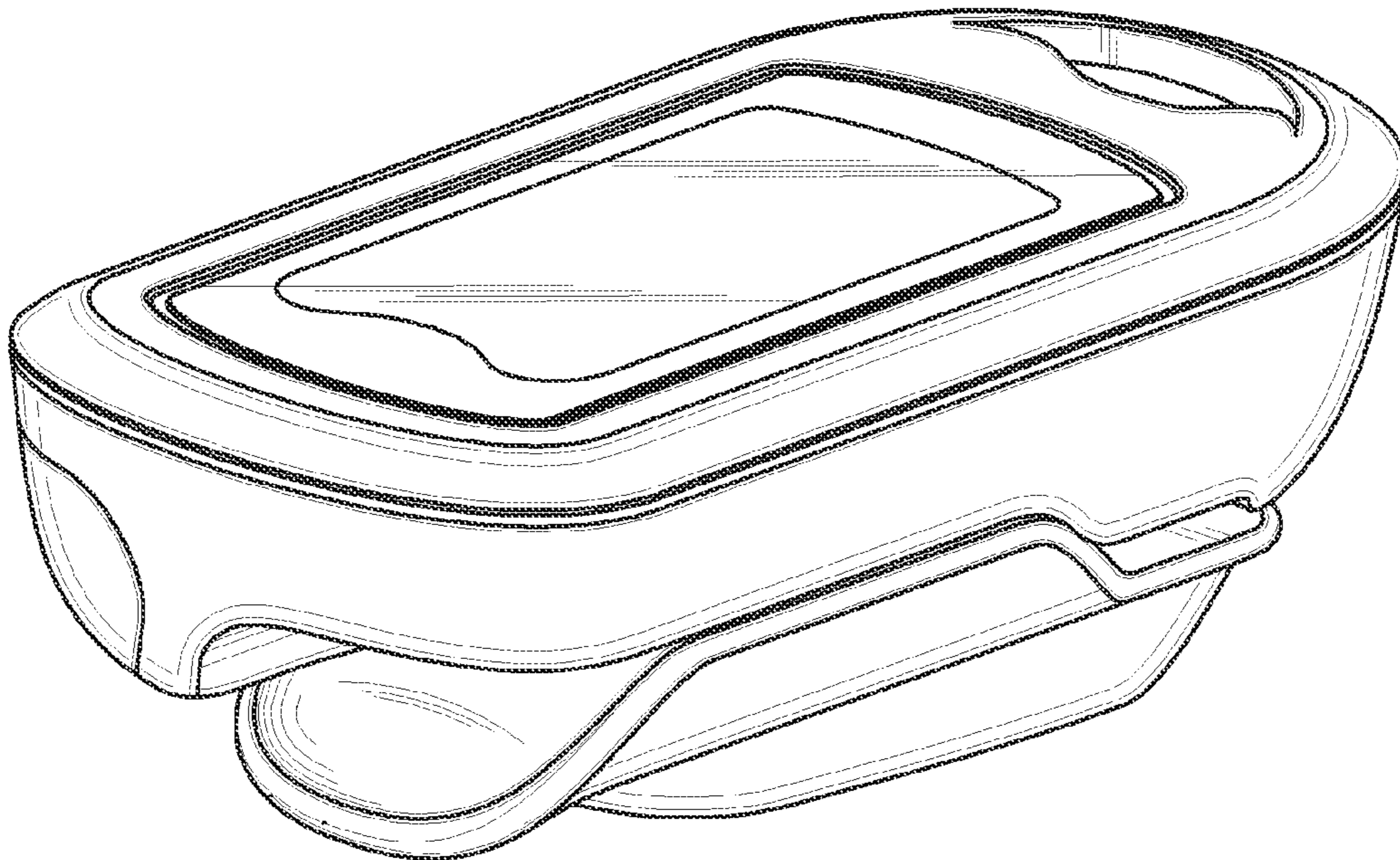
FIG. 5 is a left side view thereof.

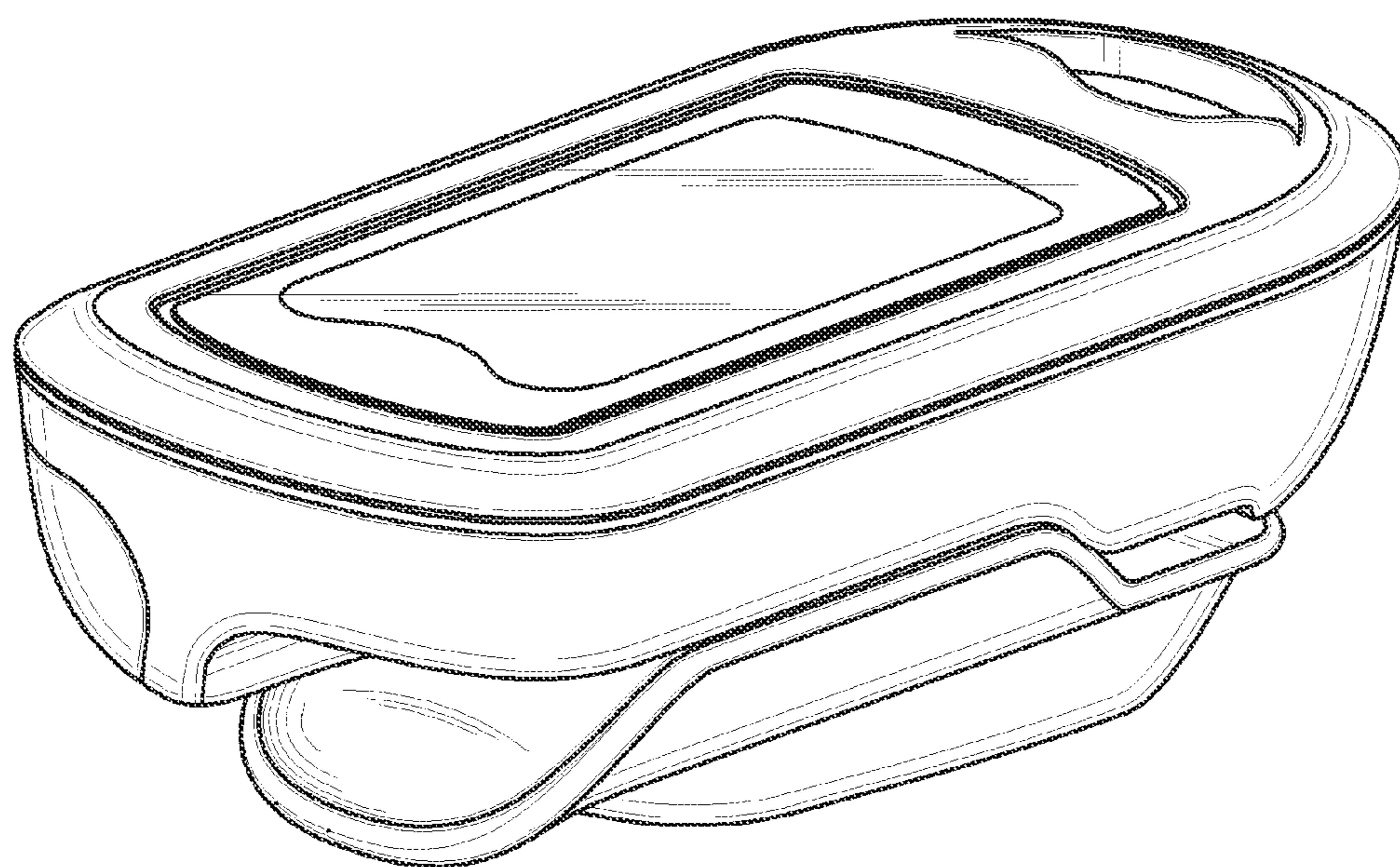
FIG. 6 is a top view thereof; and,

FIG. 7 is a bottom view thereof.

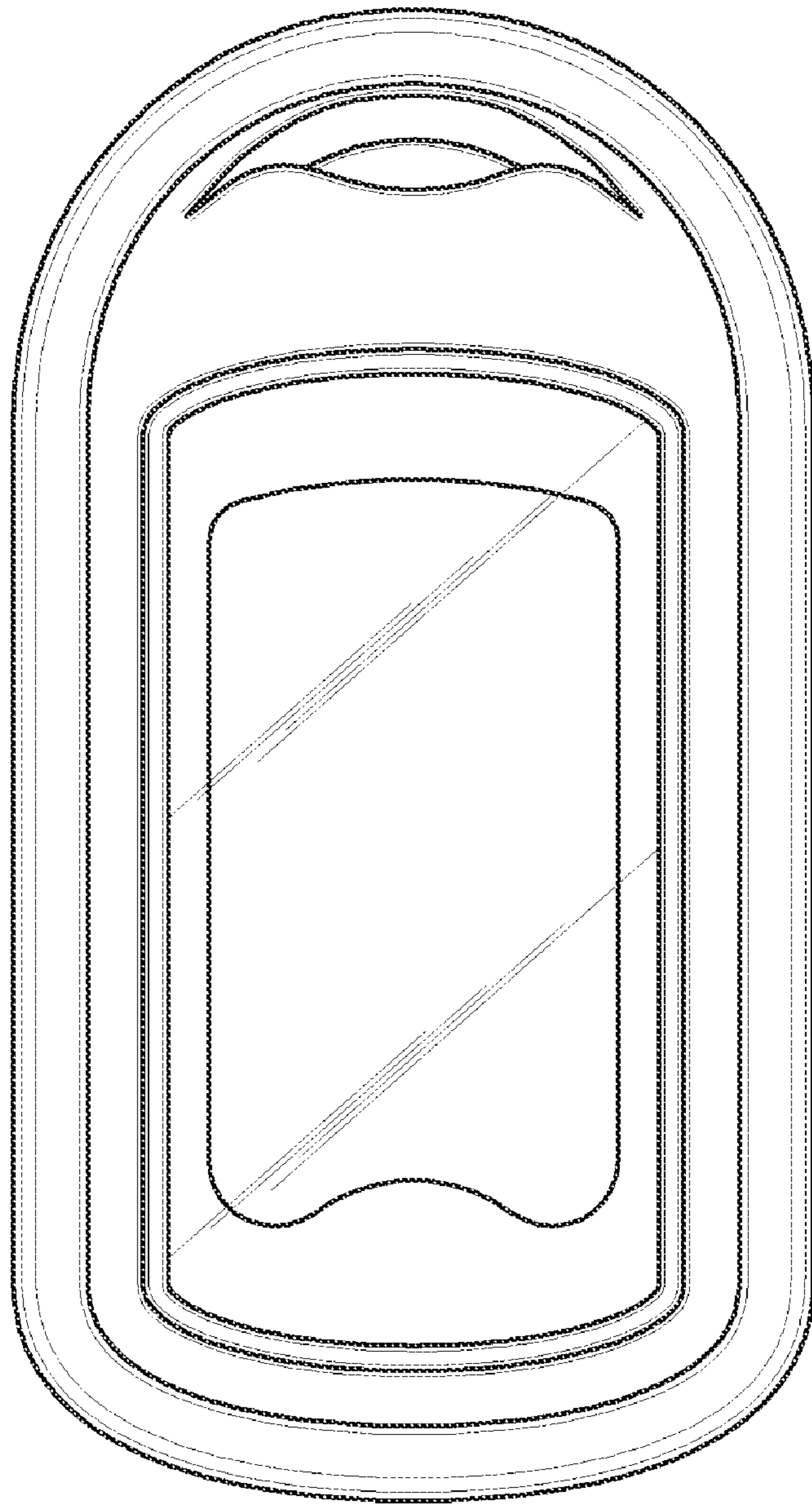
The broken lines in the figure views are included for the purpose of illustrating portions of the finger tip oximeter that form no part of the claimed design.

**1 Claim, 6 Drawing Sheets**

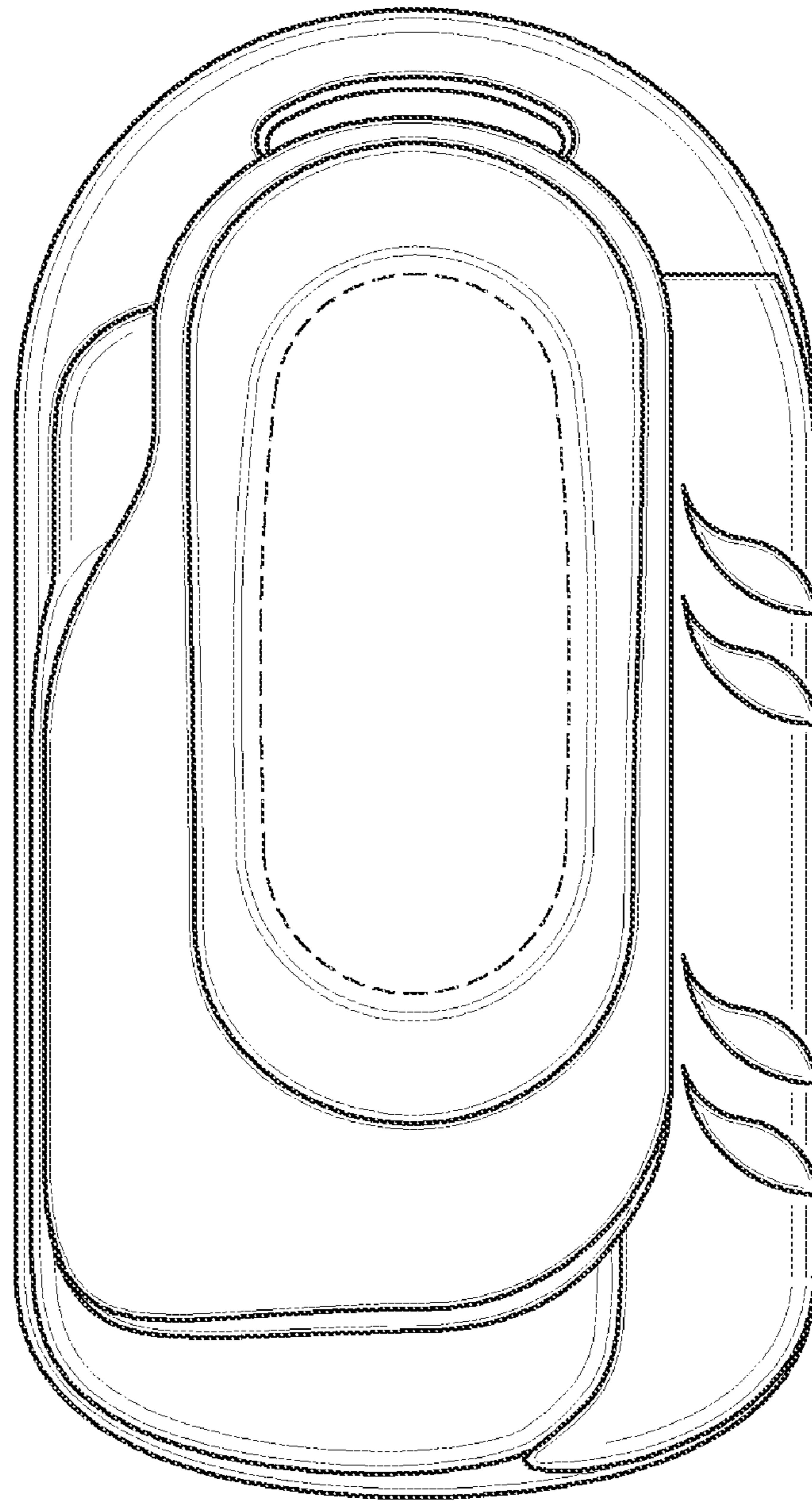




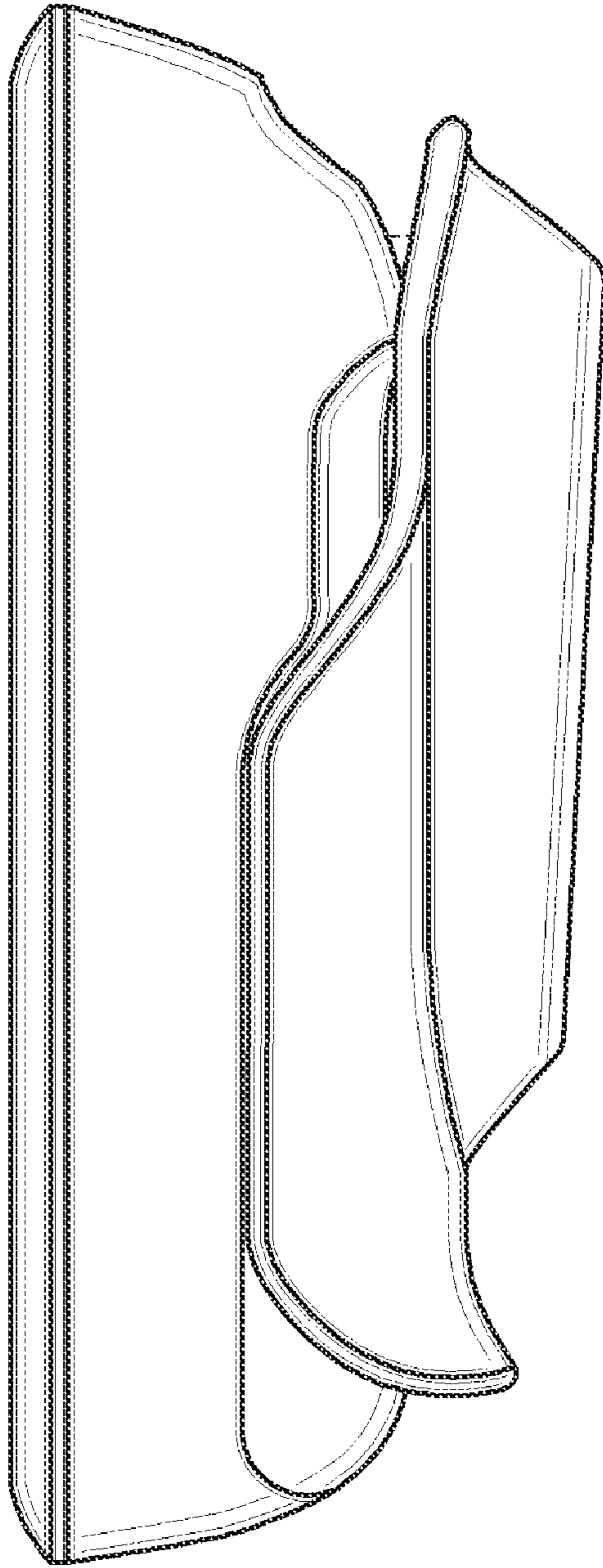
*FIG. 1*



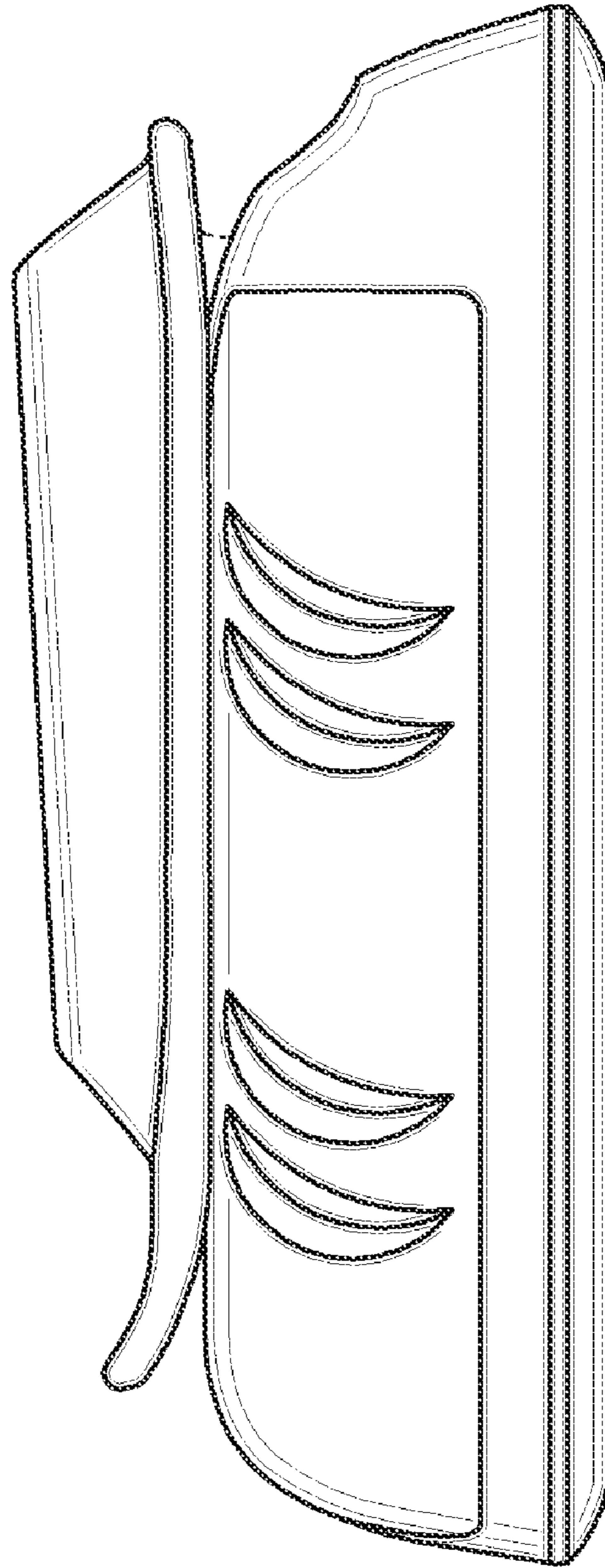
*FIG. 2*



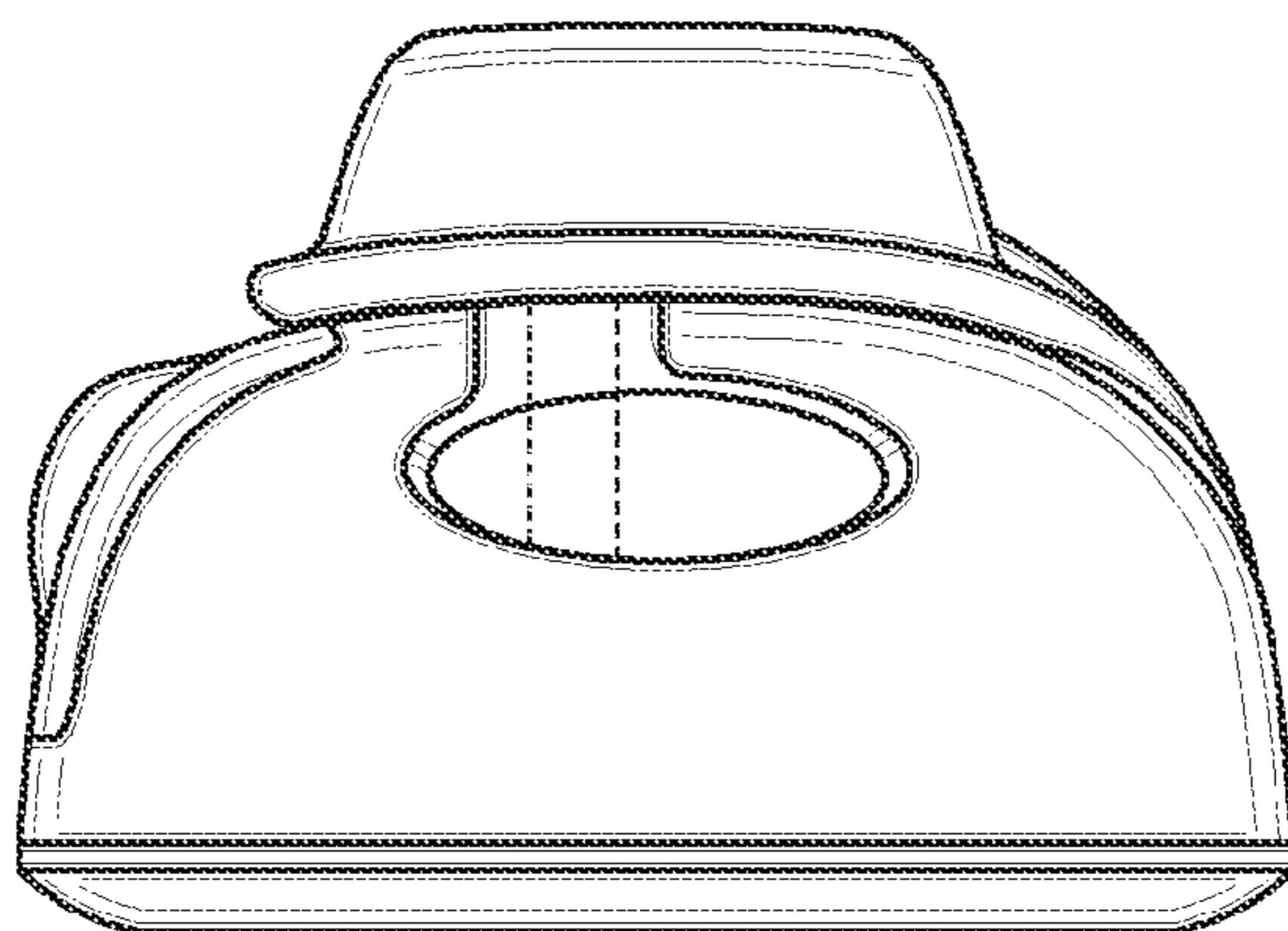
*FIG. 3*



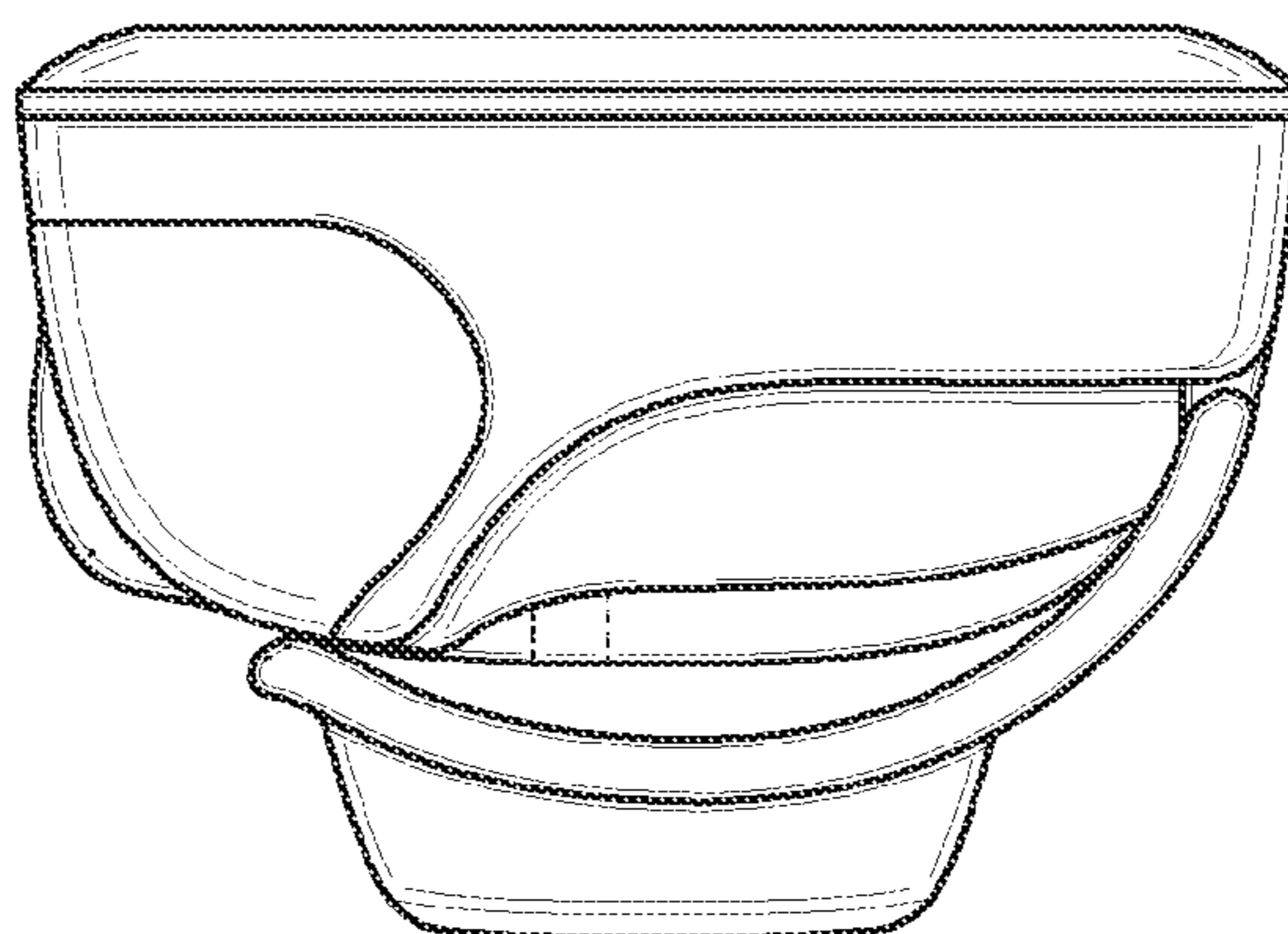
*FIG. 4*



*FIG. 5*



*FIG. 6*



*FIG. 7*