



US00D615653S

(12) **United States Design Patent**
Horton

(10) **Patent No.:** **US D615,653 S**

(45) **Date of Patent:** **** May 11, 2010**

(54) **SPINAL IMPLANT**

6,579,319 B2 6/2003 Goble et al.
6,743,255 B2 * 6/2004 Ferree 623/17.11

(76) Inventor: **Kenneth L. Horton**, 327 Shades Crest Rd., Birmingham, AL (US) 35226

(**) Term: **14 Years**

(Continued)

(21) Appl. No.: **29/338,173**

FOREIGN PATENT DOCUMENTS

(22) Filed: **Jun. 5, 2009**

WO 2000/022998 A1 4/2000

(51) **LOC (9) Cl.** **24-03**

(52) **U.S. Cl.** **D24/155**

(Continued)

(58) **Field of Classification Search** D24/155-157;
606/60, 61, 73, 95, 213, 246, 248, 249; 623/17.11,
623/17.12, 17.13, 17.14, 17.15, 17.16, 23.61,
623/23.56, 247, 213, 11.11, 16.14, 20.23,
623/20.33, 33, 41

OTHER PUBLICATIONS

Mathews, "Percutaneous Interbody Fusions", Orthopedic Clinics of North America, Oct. 1, 1998, pp. 647-653, vol. 29, Issue 4, published by Elsevier, Inc.

See application file for complete search history.

(Continued)

(56) **References Cited**

U.S. PATENT DOCUMENTS

Primary Examiner—Charles A Rademaker

(74) *Attorney, Agent, or Firm*—Kenneth M. Bush; Gerald M. Walsh; Bush Intellectual Property Law

4,501,269 A	2/1985	Bagby	
4,581,962 A	4/1986	Marbourg	
5,015,247 A	5/1991	Michelson	
5,306,307 A	4/1994	Senter et al.	
5,484,437 A	1/1996	Michelson	
5,489,307 A	2/1996	Kuslich et al.	
5,593,409 A	1/1997	Michelson	
5,741,253 A	4/1998	Michelson	
5,741,261 A	4/1998	Moskovitz et al.	
5,766,252 A *	6/1998	Henry et al.	623/17.16
5,860,973 A	1/1999	Michelson	
5,865,848 A *	2/1999	Baker	623/17.15
5,888,228 A *	3/1999	Knothe et al.	623/17.16
5,954,635 A	9/1999	Foley et al.	
6,042,582 A	3/2000	Ray	
6,080,155 A	6/2000	Michelson	
6,210,412 B1	4/2001	Michelson	
6,371,988 B1	4/2002	Pafford et al.	
6,485,518 B1	11/2002	Cornwall et al.	
6,520,907 B1	2/2003	Foley et al.	
D472,632 S *	4/2003	Anderson	D24/155
D472,634 S *	4/2003	Anderson	D24/155
6,540,747 B1	4/2003	Marino	
6,562,046 B2	5/2003	Sasso	

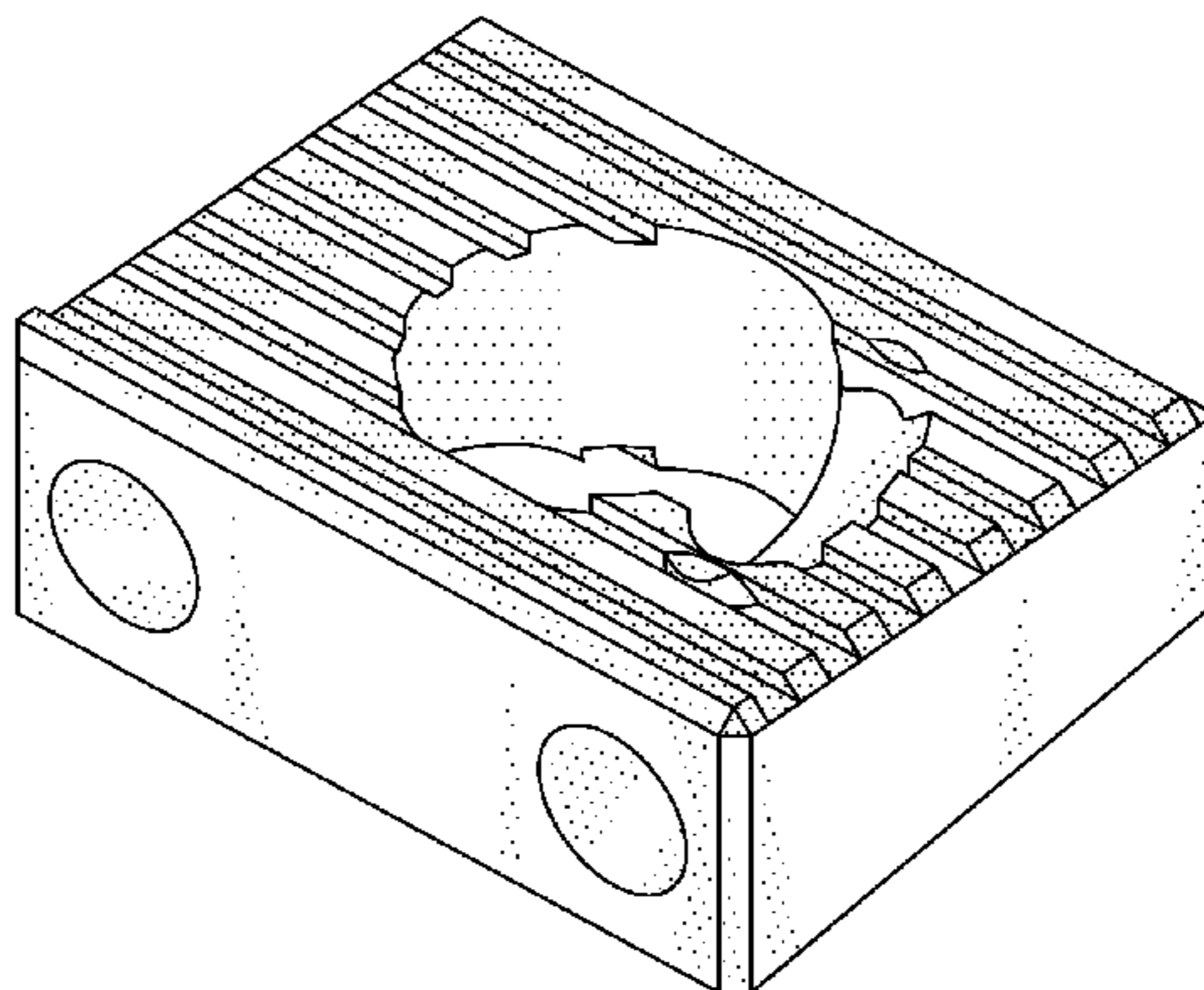
(57) **CLAIM**

I claim the ornamental design for a spinal implant, as shown and described.

DESCRIPTION

FIG. 1 is a top, front and right perspective view of a spinal implant showing my new design;
FIG. 2 is a top plan view thereof, the side opposite being identical;
FIG. 3 is a front elevation thereof;
FIG. 4 is a rear elevation thereof;
FIG. 5 is a left side elevation thereof; and,
FIG. 6 is a right side elevation thereof.

1 Claim, 3 Drawing Sheets



US D615,653 S

Page 2

U.S. PATENT DOCUMENTS

6,773,460 B2 * 8/2004 Jackson 623/17.15
6,902,578 B1 6/2005 Anderson et al.
6,923,810 B1 8/2005 Michelson
6,923,811 B1 8/2005 Carl et al.
6,942,698 B1 9/2005 Jackson
D524,443 S * 7/2006 Blain D24/155
D541,940 S * 5/2007 Blain D24/155
7,223,269 B2 5/2007 Chappuis
D566,276 S * 4/2008 Blain D24/155
D574,495 S 8/2008 Petersen
D574,957 S 8/2008 Petersen
D581,538 S 11/2008 Horton
7,452,369 B2 11/2008 Barry
7,611,538 B2 * 11/2009 Belliard et al. 623/17.15
7,655,043 B2 * 2/2010 Peterman et al. 623/17.11
2004/0087948 A1 5/2004 Suddaby
2004/0143268 A1 7/2004 Falahee
2004/0215344 A1 10/2004 Hochschuler et al.
2005/0015150 A1 1/2005 Lee
2005/0065516 A1 3/2005 Jahng
2005/0149030 A1 7/2005 Serhan et al.
2006/0036264 A1 2/2006 Selover et al.

2006/0064099 A1 3/2006 Pavlov et al.
2006/0111779 A1 5/2006 Petersen
2006/0111782 A1 5/2006 Petersen
2007/0250166 A1 10/2007 McKay
2008/0255667 A1 10/2008 Horton
2009/0131986 A1 5/2009 Lee et al.

FOREIGN PATENT DOCUMENTS

WO 2007/120903 A2 10/2007

OTHER PUBLICATIONS

Polly, Jr et al., "Surgical Treatment for the Painful Motion Segment", Spine, 2005, pp. S44-S51, vol. 30, No. 16S, published by Lippincott Williams & Wilkins, Inc.

Powers, et al., "Minimally Invasive Fusion and Fixation Techniques", Neurosurgery Clinics of North America, Oct. 2006, pp. 447-489, vol. 17, Issue 4, published by Elsevier, Inc.

Seldomridge, et al., "Minimally Invasive Spine Surgery", The American Journal of Orthopedics, May 2005, pp. 224-232.

Stein, et al., "Percutaneous Facet Joint Fusion: Preliminary Experience", Journal of Vascular and Interventional Radiology, Jan.-Feb. 1993, pp. 69-74, vol. 4, No. 1.

* cited by examiner

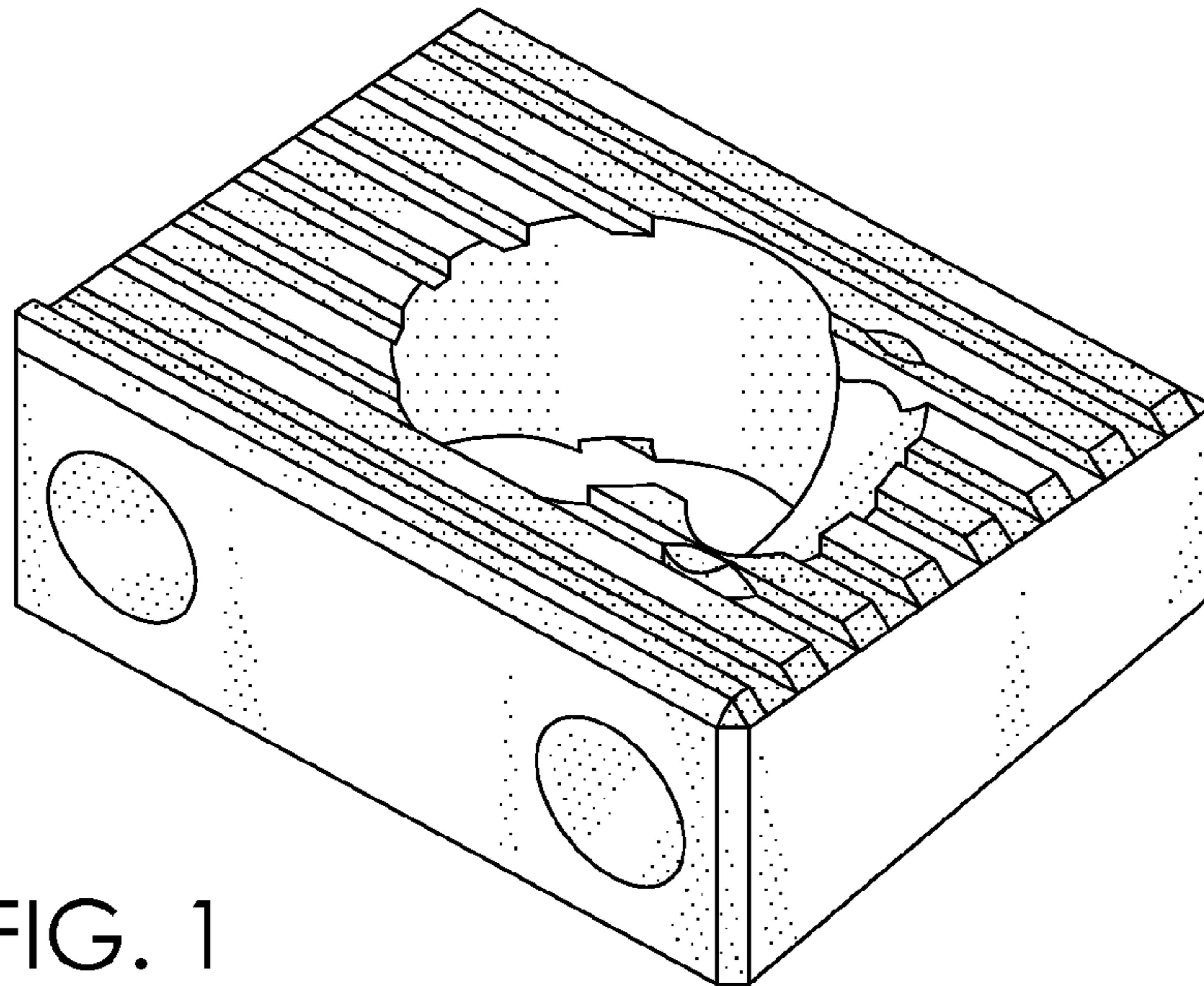


FIG. 1

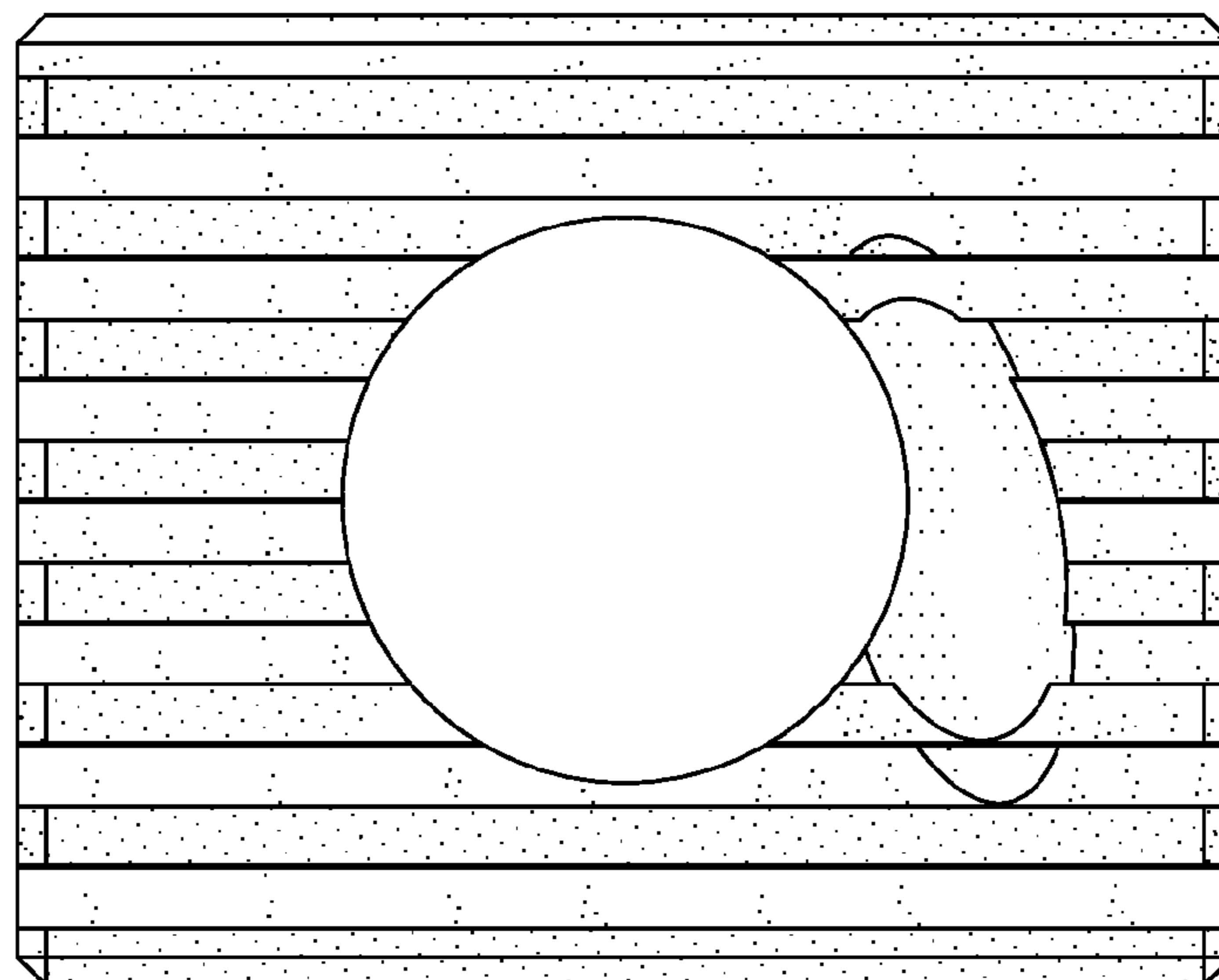


FIG. 2

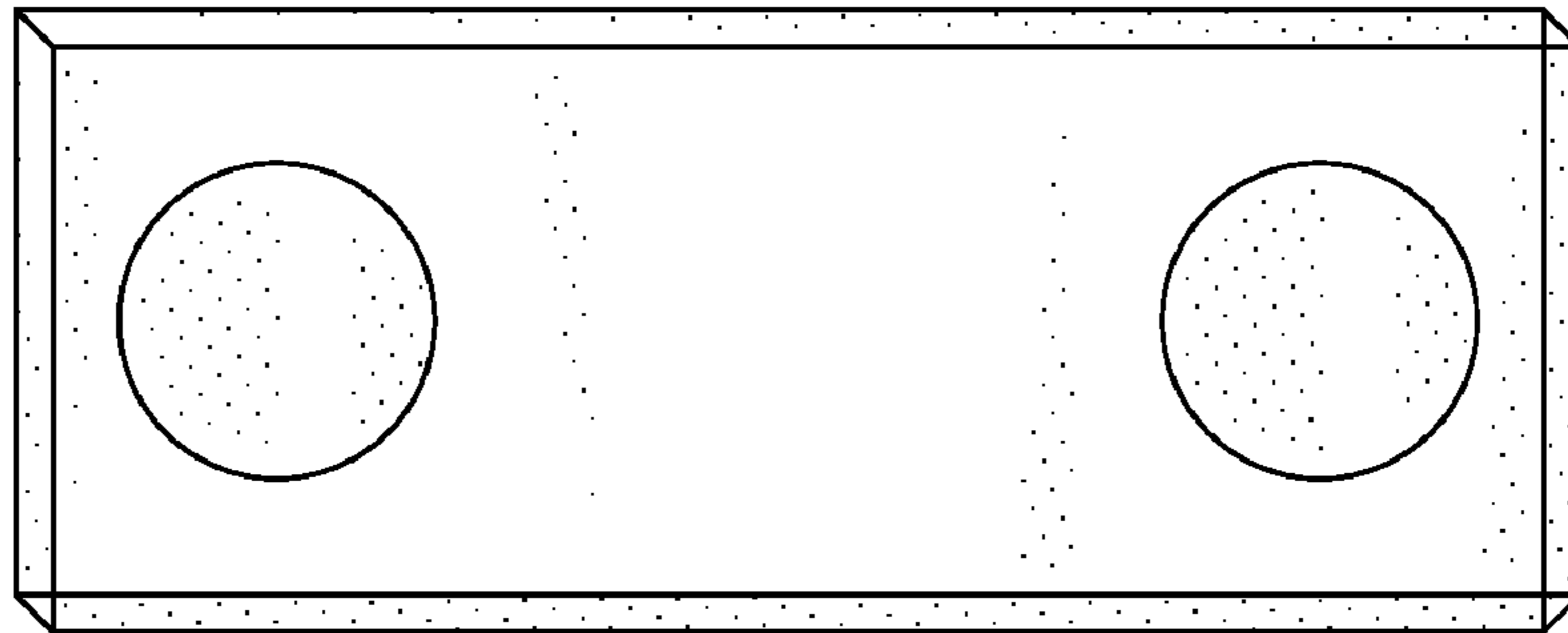


FIG. 3

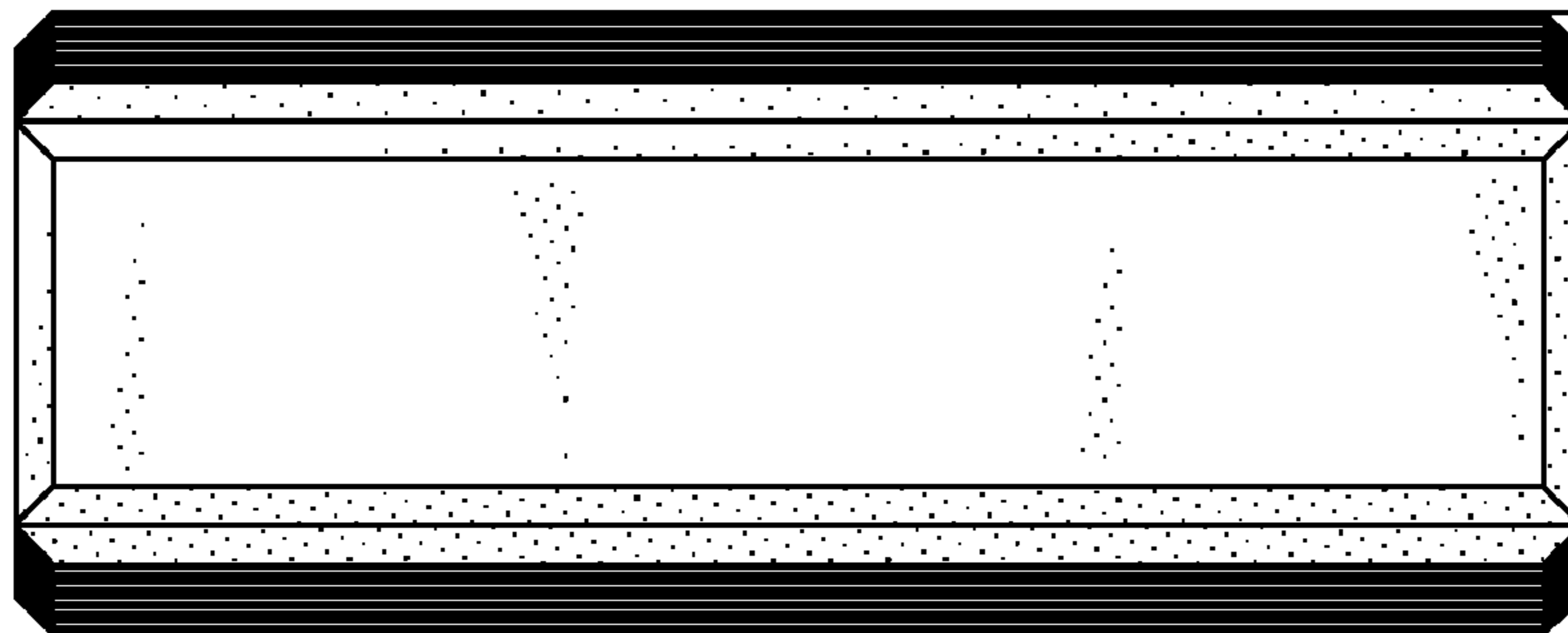


FIG. 4

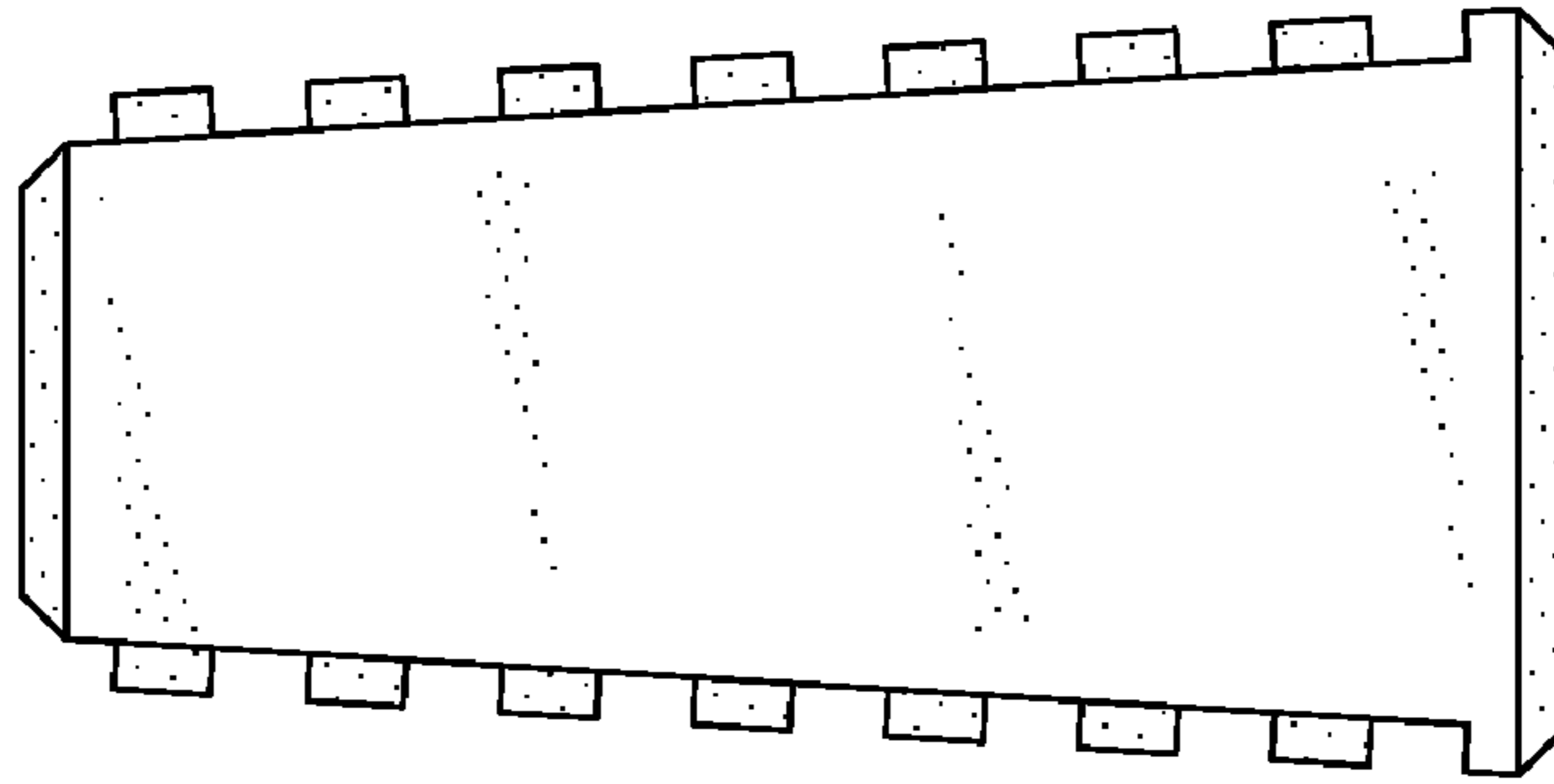


FIG. 5

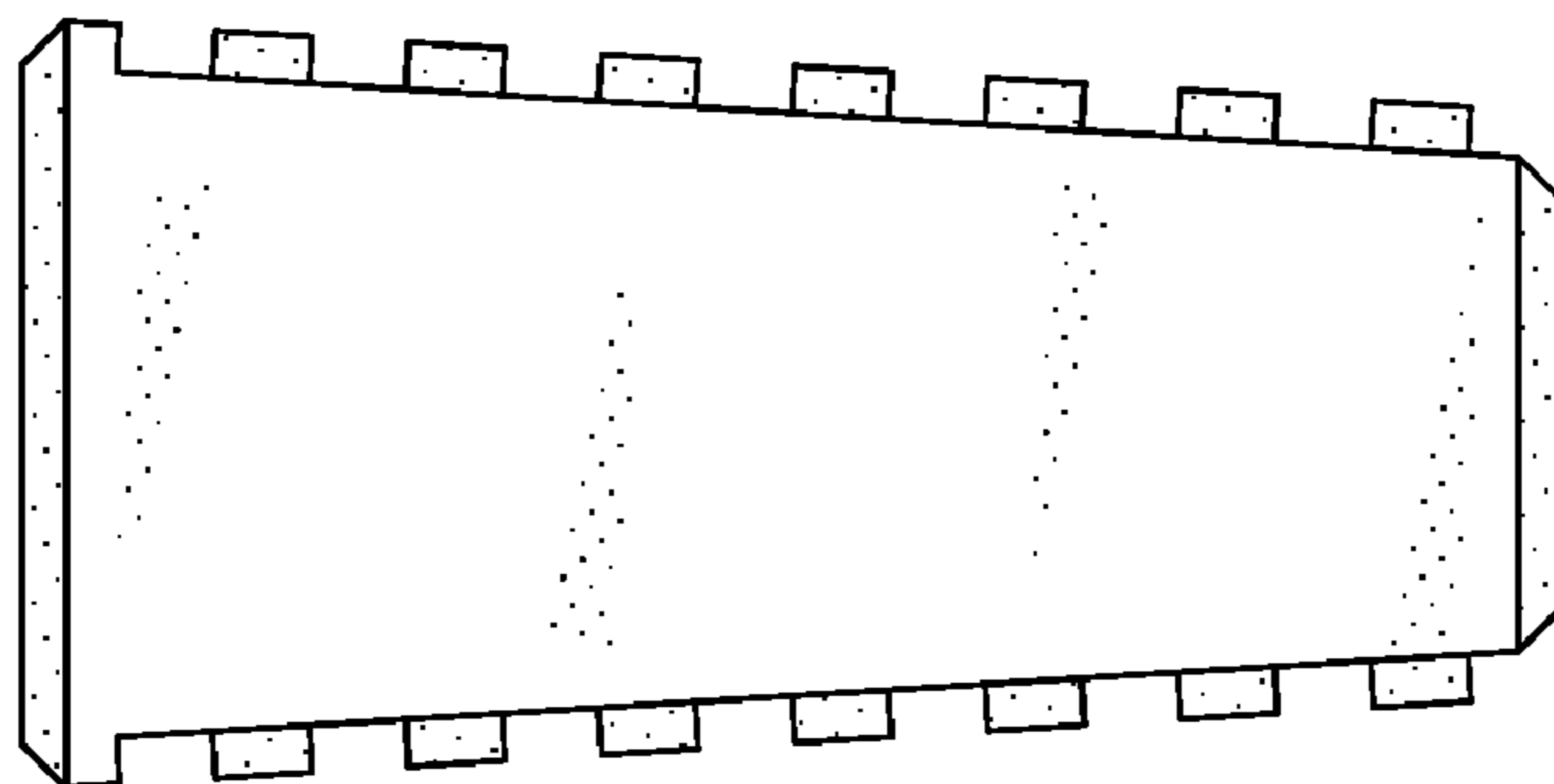


FIG. 6