



US00D615652S

(12) **United States Design Patent**
Weiman

(10) **Patent No.:** **US D615,652 S**

(45) **Date of Patent:** **** May 11, 2010**

(54) **VERTICAL INLINE PLATE**

(75) Inventor: **Mark Weiman**, Coatesville, PA (US)

(73) Assignee: **Globus Medical, Inc.**, Audubon, PA (US)

(**) Term: **14 Years**

(21) Appl. No.: **29/327,548**

(22) Filed: **Nov. 7, 2008**

(51) **LOC (9) Cl.** **24-03**

(52) **U.S. Cl.** **D24/155**

(58) **Field of Classification Search** D24/155-157;
606/60, 61, 73, 95, 213, 281, 292, 70, 71,
606/76, 69, 246, 248, 249, 247, 280, 283,
606/272; 623/17.11, 17.12, 17.13, 17.14,
623/17.15, 17.16, 23.61, 23.56, 247, 213,
623/286

See application file for complete search history.

(56) **References Cited**

U.S. PATENT DOCUMENTS

6,152,927 A * 11/2000 Farris et al. 606/287
D440,311 S * 4/2001 Michelson D24/155
D479,331 S * 9/2003 Pike et al. D24/155
6,755,833 B1 * 6/2004 Paul et al. 606/70
7,001,387 B2 * 2/2006 Farris et al. 606/70
7,070,599 B2 * 7/2006 Paul 606/71
7,318,825 B2 * 1/2008 Butler et al. 606/71
D589,148 S * 3/2009 Strnad et al. D24/155

D603,508 S * 11/2009 Kriska et al. D24/155
D603,509 S * 11/2009 Kriska et al. D24/155
D603,510 S * 11/2009 Kriska et al. D24/155
D603,511 S * 11/2009 Kriska et al. D24/155
D603,963 S * 11/2009 Kriska et al. D24/155
D603,964 S * 11/2009 Kriska et al. D24/155
2002/0120273 A1 * 8/2002 Needham et al. 606/61
2003/0045880 A1 * 3/2003 Michelson 606/70
2004/0220572 A1 * 11/2004 Michelson 606/71
2005/0187552 A1 * 8/2005 Michelson 606/69

* cited by examiner

Primary Examiner—Charles A Rademaker

(57) **CLAIM**

The ornamental design for a vertical inline plate, as shown and described.

DESCRIPTION

FIG. 1 shows a perspective view of the top surface of the vertical inline plate.

FIG. 2 shows a top view of the vertical inline plate.

FIG. 3 shows a perspective view of the bottom surface of the vertical inline plate.

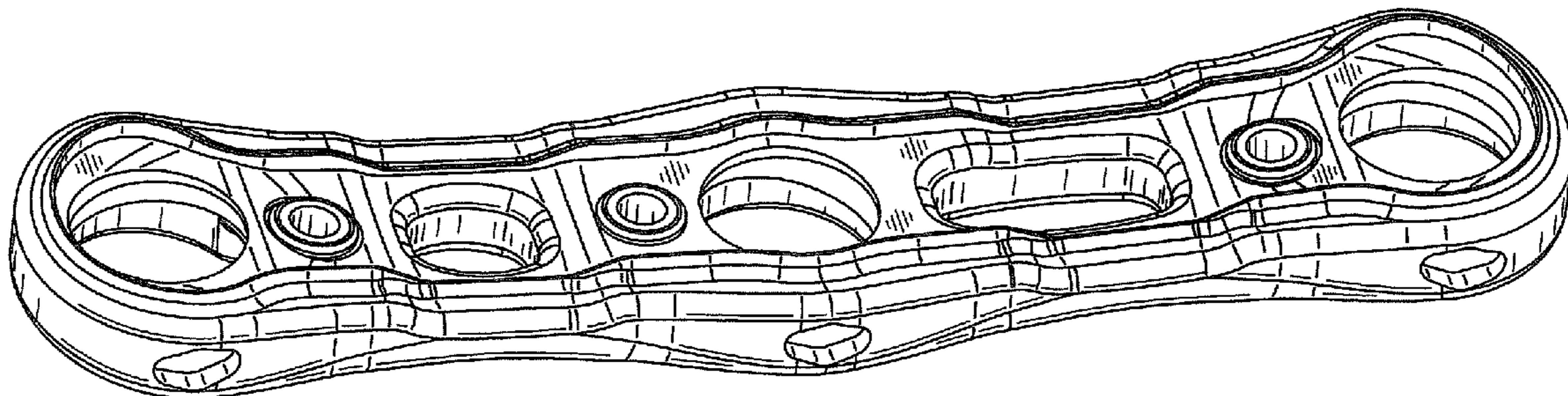
FIG. 4 shows a bottom view of the vertical inline plate.

FIG. 5 shows a front view of the vertical inline plate.

FIG. 6 shows a rear view of the vertical inline plate; and,

FIG. 7 shows a side view of the vertical inline plate.

1 Claim, 3 Drawing Sheets



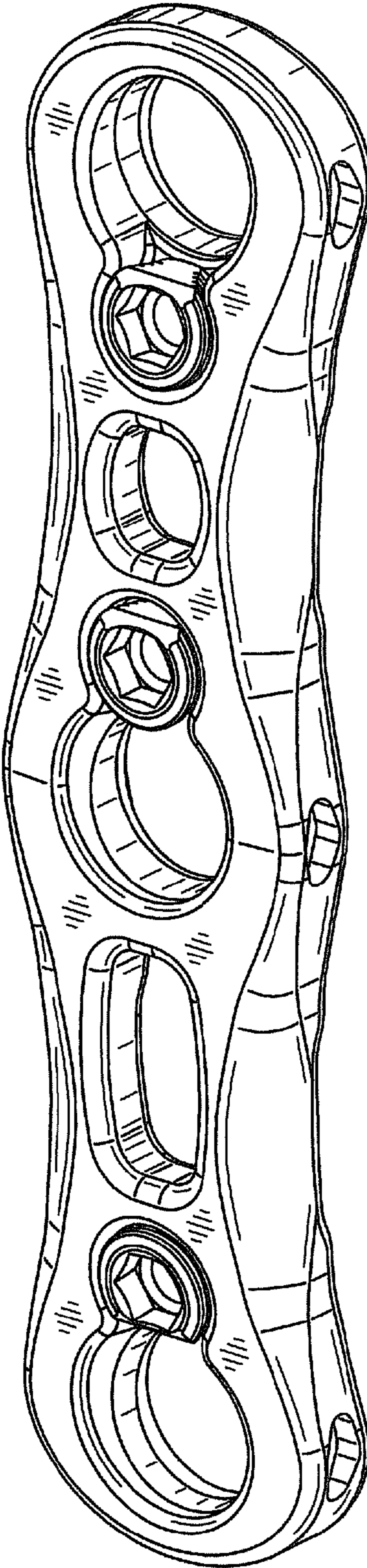


FIG. 1

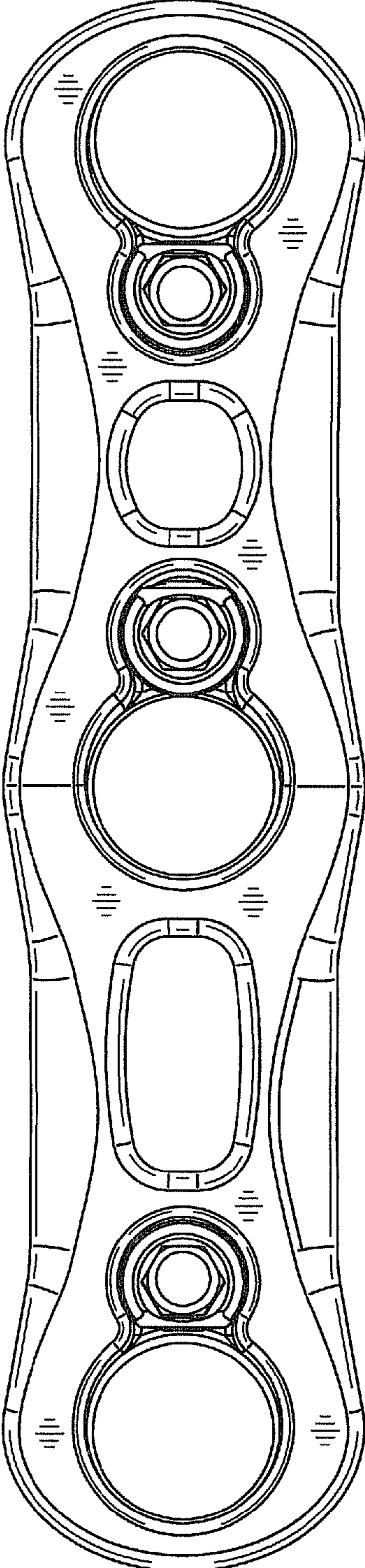


FIG. 2

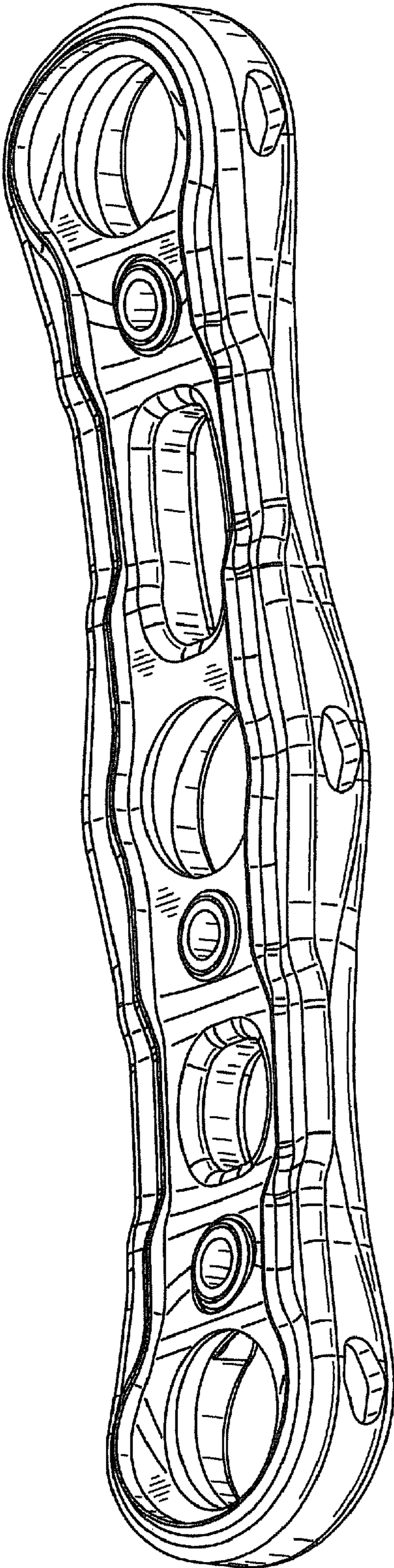


FIG. 3

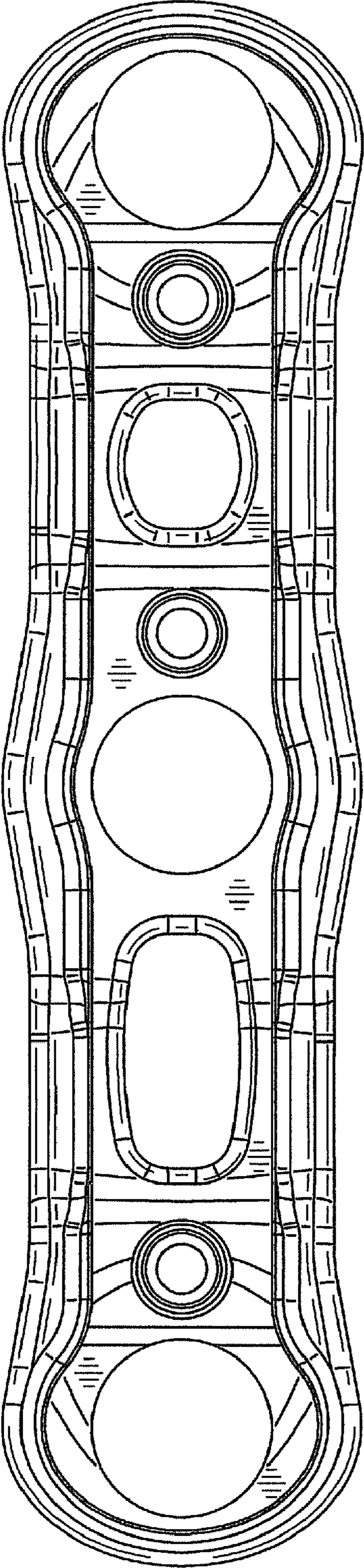


FIG. 4

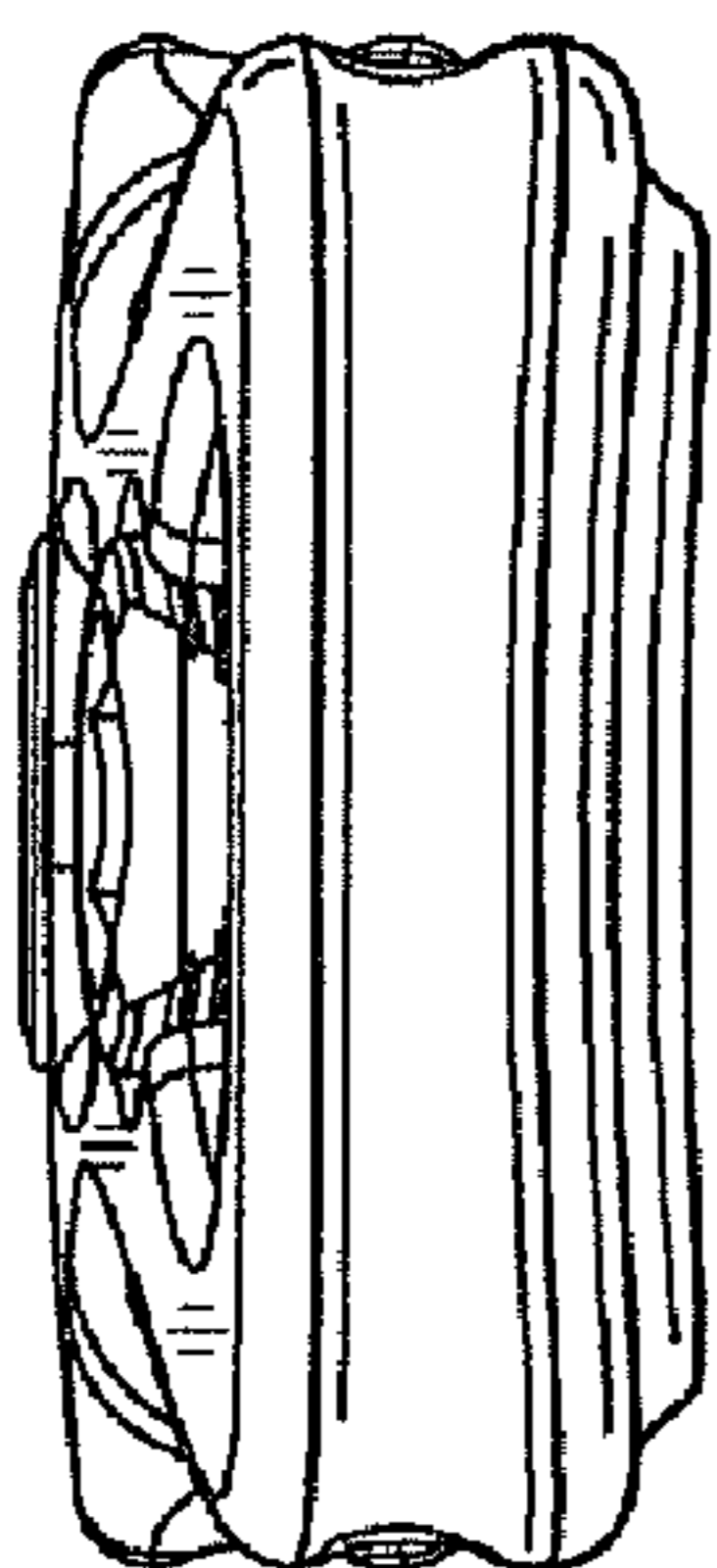


FIG. 5

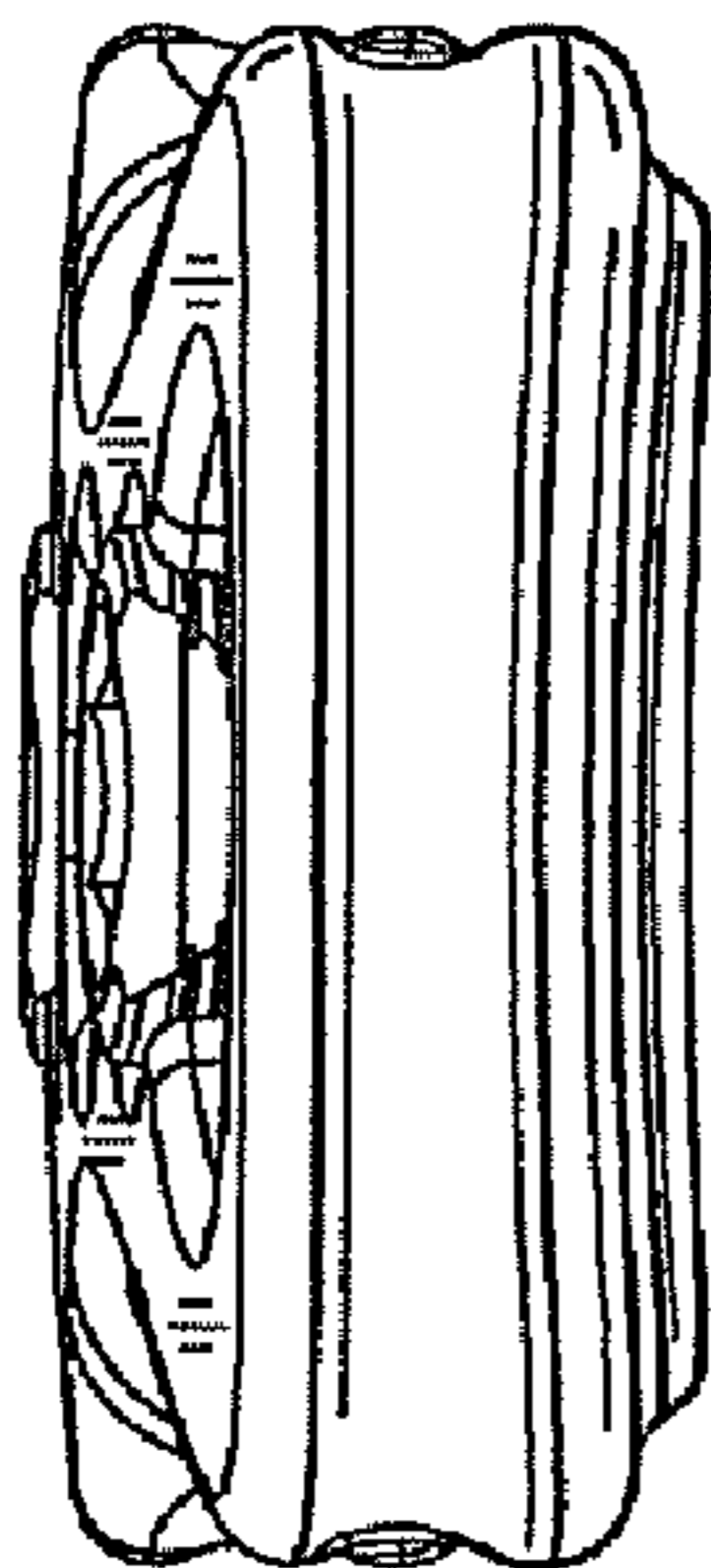


FIG. 6

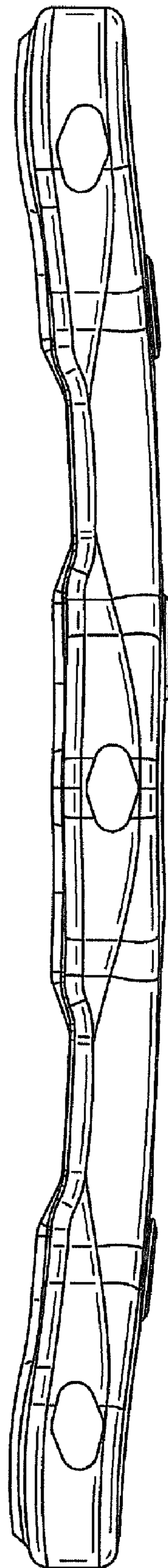


FIG. 7