



US00D615651S

(12) **United States Design Patent**
Hoffmann et al.

(10) **Patent No.:** **US D615,651 S**

(45) **Date of Patent:** **** May 11, 2010**

(54) **BACK LOADED INTRAOCULAR LENS (IOL) CARTRIDGE**

2009/0062811 A1* 3/2009 Peterson et al. 606/107
2009/0204123 A1* 8/2009 Downer 606/107
2009/0270876 A1* 10/2009 Hoffmann et al. 606/107

(75) Inventors: **Laurent G. Hoffmann**, Aliso Viejo, CA (US); **David A. Ruddocks**, Mission Viejo, CA (US); **Mark C. Cole**, Trabuco Canyon, CA (US); **Daniel G. Brady**, San Juan Capistrano, CA (US)

* cited by examiner

Primary Examiner—Ian Simmons
Assistant Examiner—Wan Laymon

(73) Assignee: **Abbott Medical Optics Inc.**, Santa Ana, CA (US)

(57) **CLAIM**

We claim the ornamental design for a back loaded intraocular lens (IOL) cartridge, as shown and described.

(**) Term: **14 Years**

DESCRIPTION

(21) Appl. No.: **29/317,360**

FIG. 1 is a top perspective views of a back loaded intraocular lens (IOL) cartridge;

(22) Filed: **Apr. 28, 2008**

FIG. 2 is a bottom perspective view of the back loaded intraocular lens (IOL) cartridge of FIG. 1;

(51) **LOC (9) Cl.** **24-02**

(52) **U.S. Cl.** **D24/150; D24/147**

FIG. 3 is a left side elevational view of the IOL cartridge of FIGS. 1 and 2;

(58) **Field of Classification Search** D24/150, D24/172, 133, 112, 130, 147; 623/4.1, 6.11; 604/57, 59, 64, 73, 294; 606/1, 4-6, 107-108
See application file for complete search history.

FIG. 4 is a front elevational view of the IOL cartridge of FIGS. 1 and 2;

(56) **References Cited**

U.S. PATENT DOCUMENTS

6,733,507 B2* 5/2004 McNicholas et al. 606/107
7,156,855 B2* 1/2007 Oda 606/107
D578,643 S * 10/2008 Shumer et al. D24/133
7,458,976 B2* 12/2008 Peterson et al. 606/107
7,476,229 B2* 1/2009 Meyer 606/107
2004/0147938 A1* 7/2004 Dusek et al. 606/107
2006/0293694 A1* 12/2006 Futamura 606/107
2007/0095700 A1* 5/2007 Peterson et al. 206/438
2008/0255577 A1* 10/2008 Downer et al. 606/107
2008/0312661 A1* 12/2008 Downer et al. 606/107

FIG. 5 is a rear elevational view of the IOL cartridge of FIGS. 1 and 2;

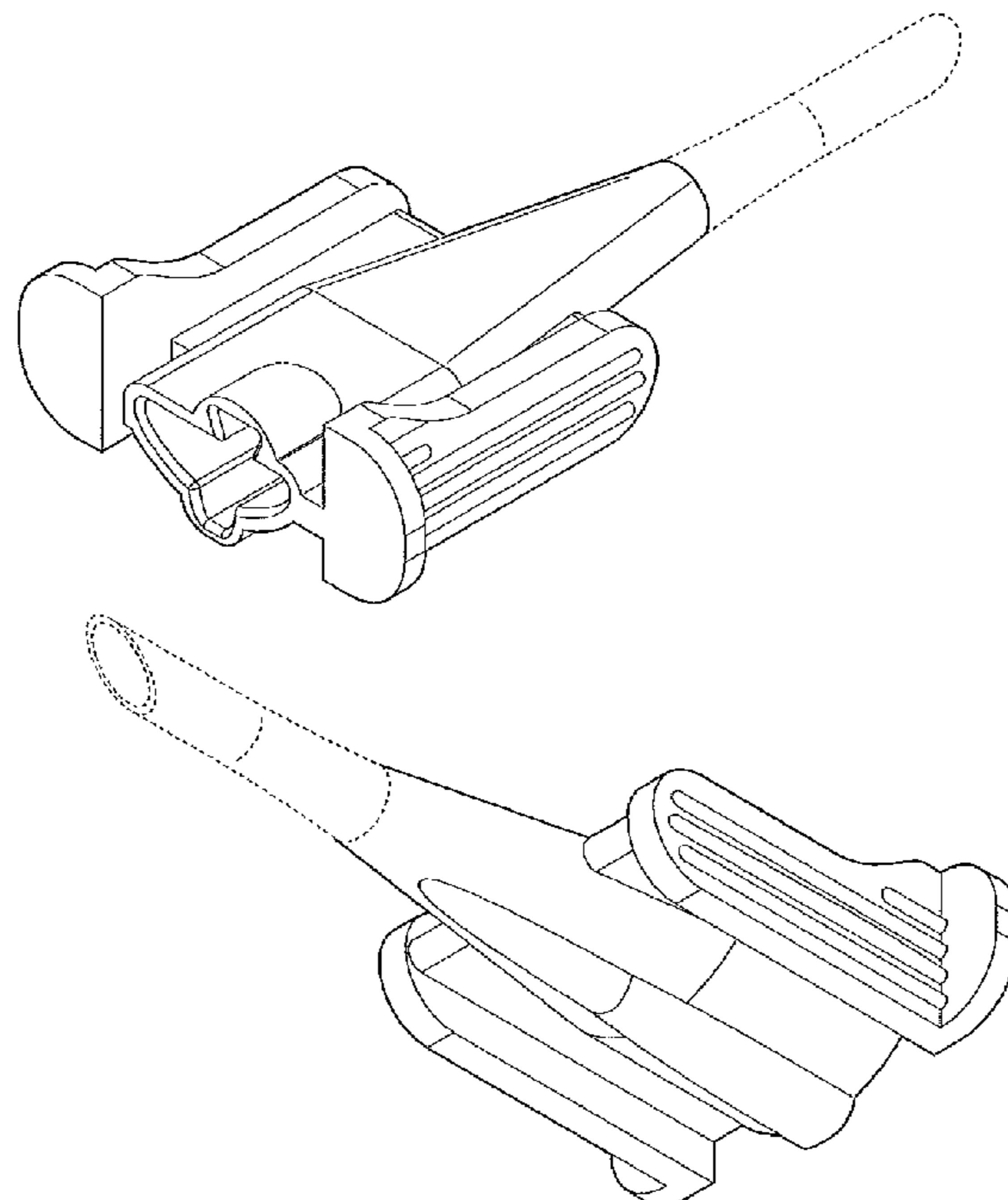
FIG. 6 is a top plan view of the IOL cartridge of FIGS. 1 and 2; and,

FIG. 7 is a bottom plan view of the IOL cartridge of FIGS. 1 and 2.

The cartridge manages passage of an IOL into an eye.

The broken line showing portion of a back loaded intraocular lens (IOL) cartridge is included for illustrating environmental structure and forms no part of the claimed design.

1 Claim, 3 Drawing Sheets



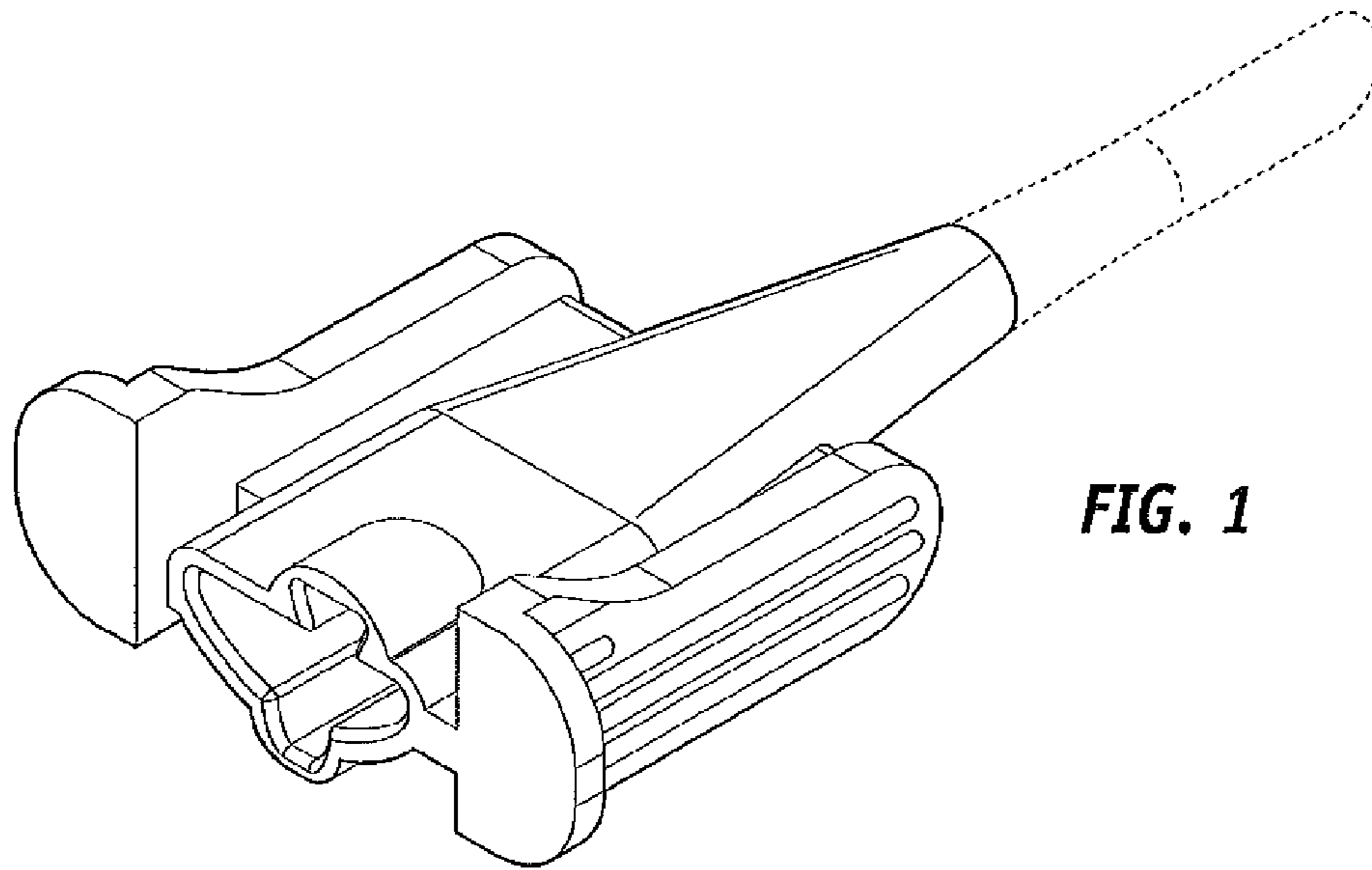


FIG. 1

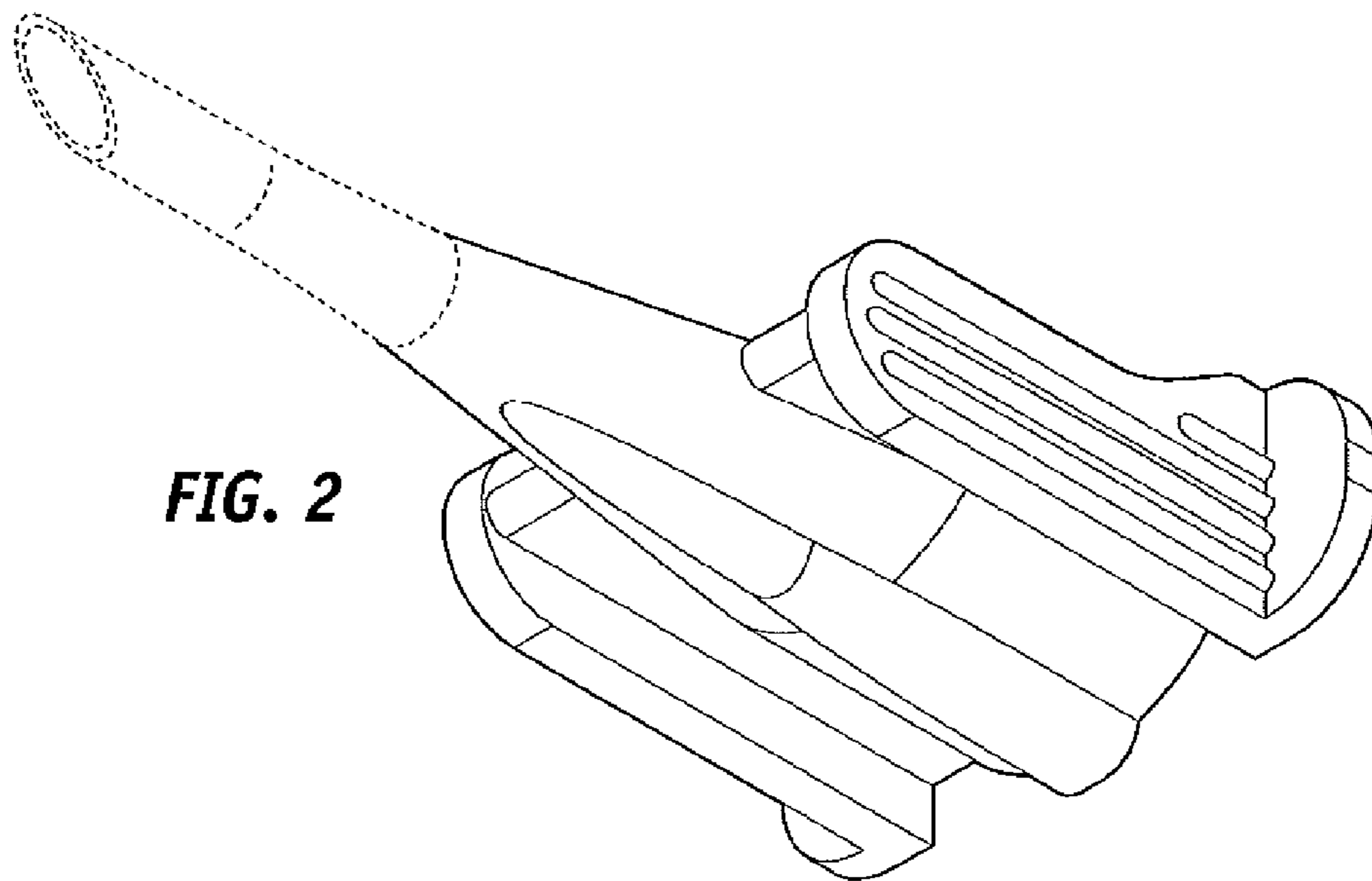


FIG. 2

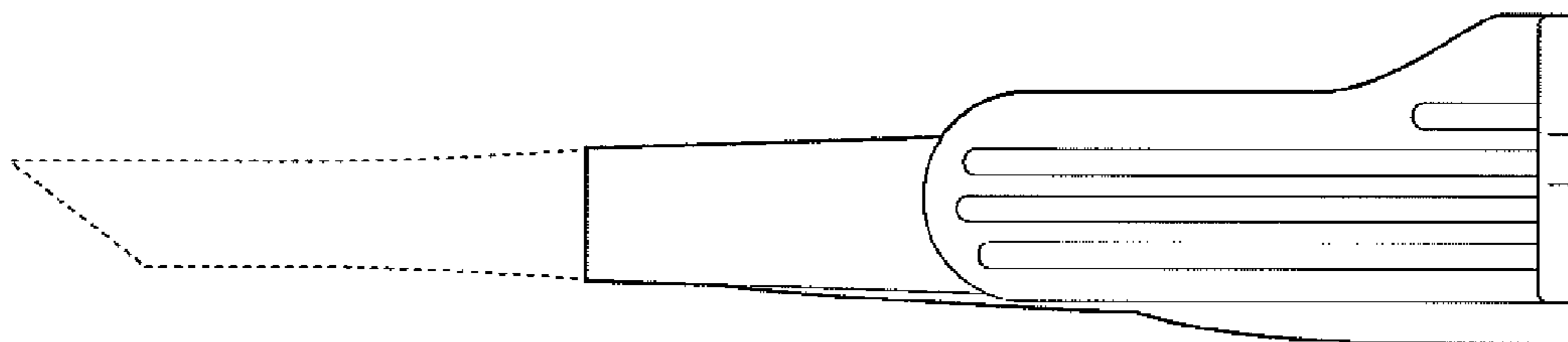


FIG. 3

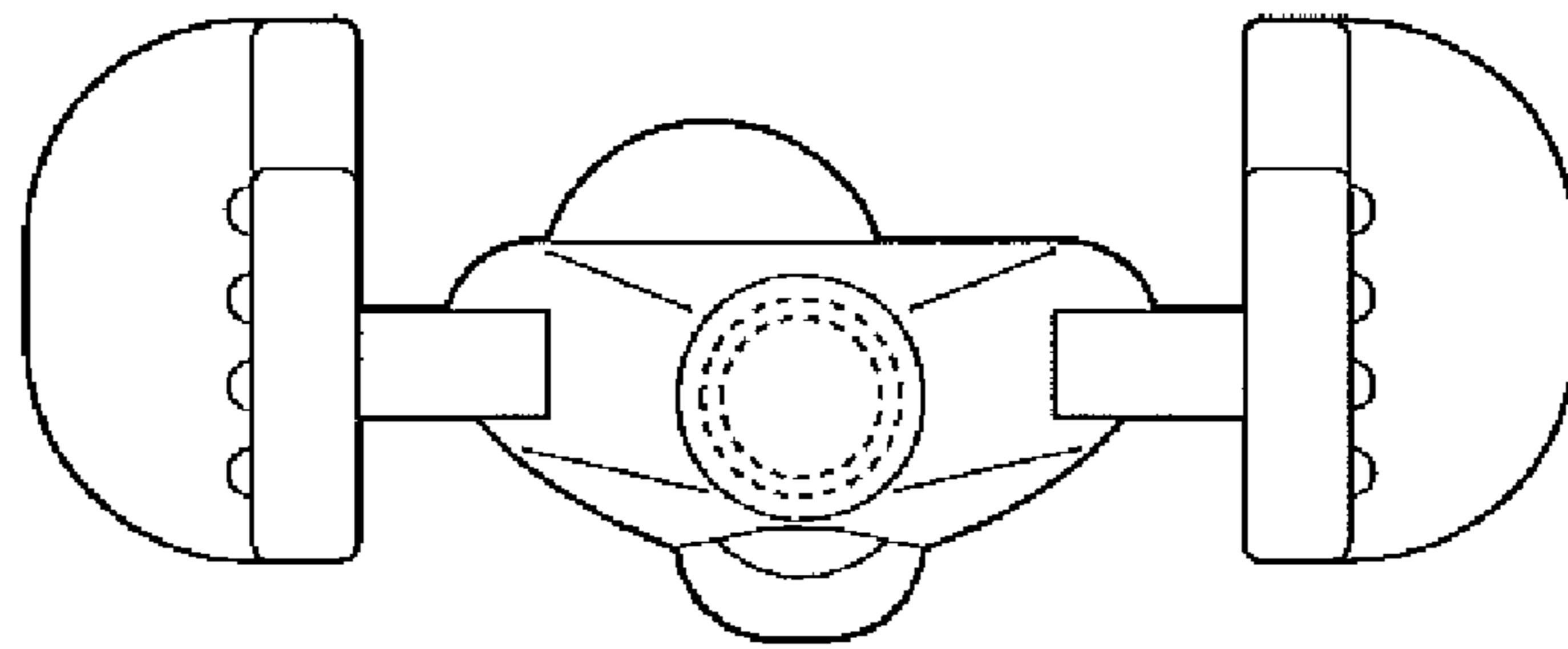


FIG. 4

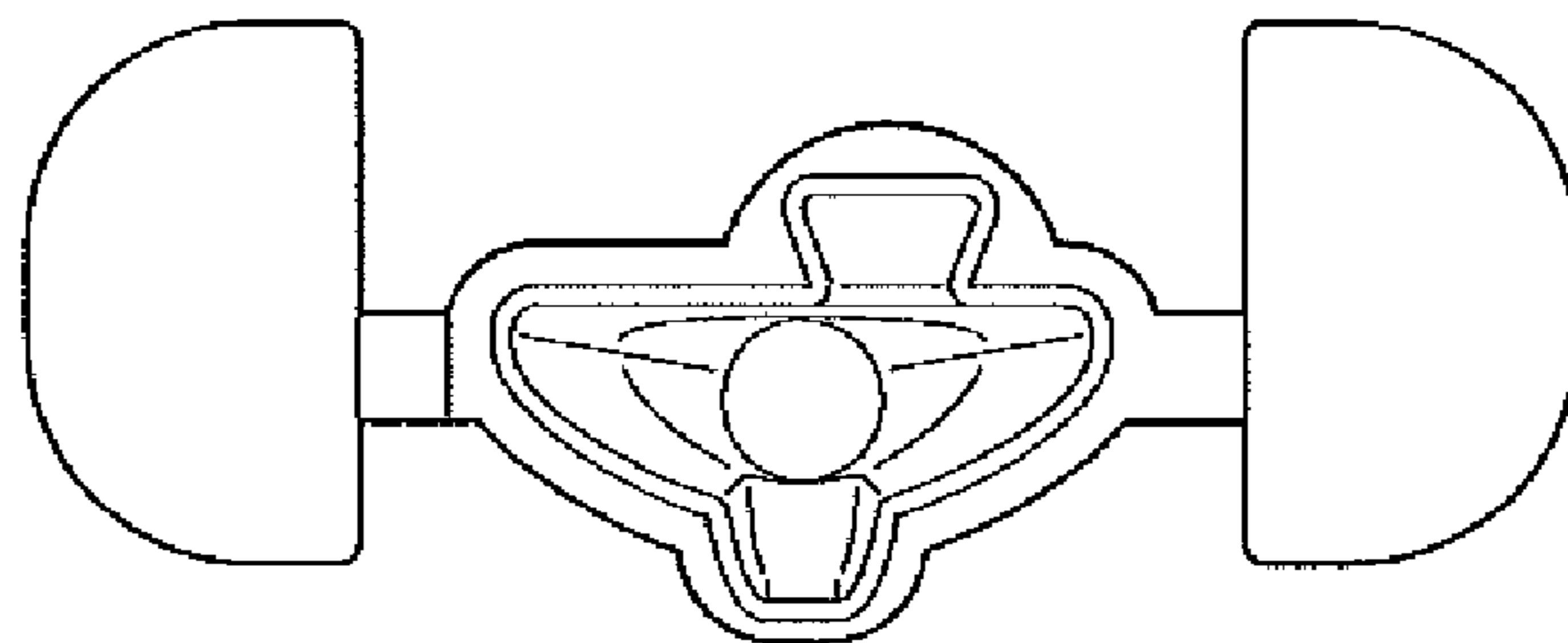


FIG. 5

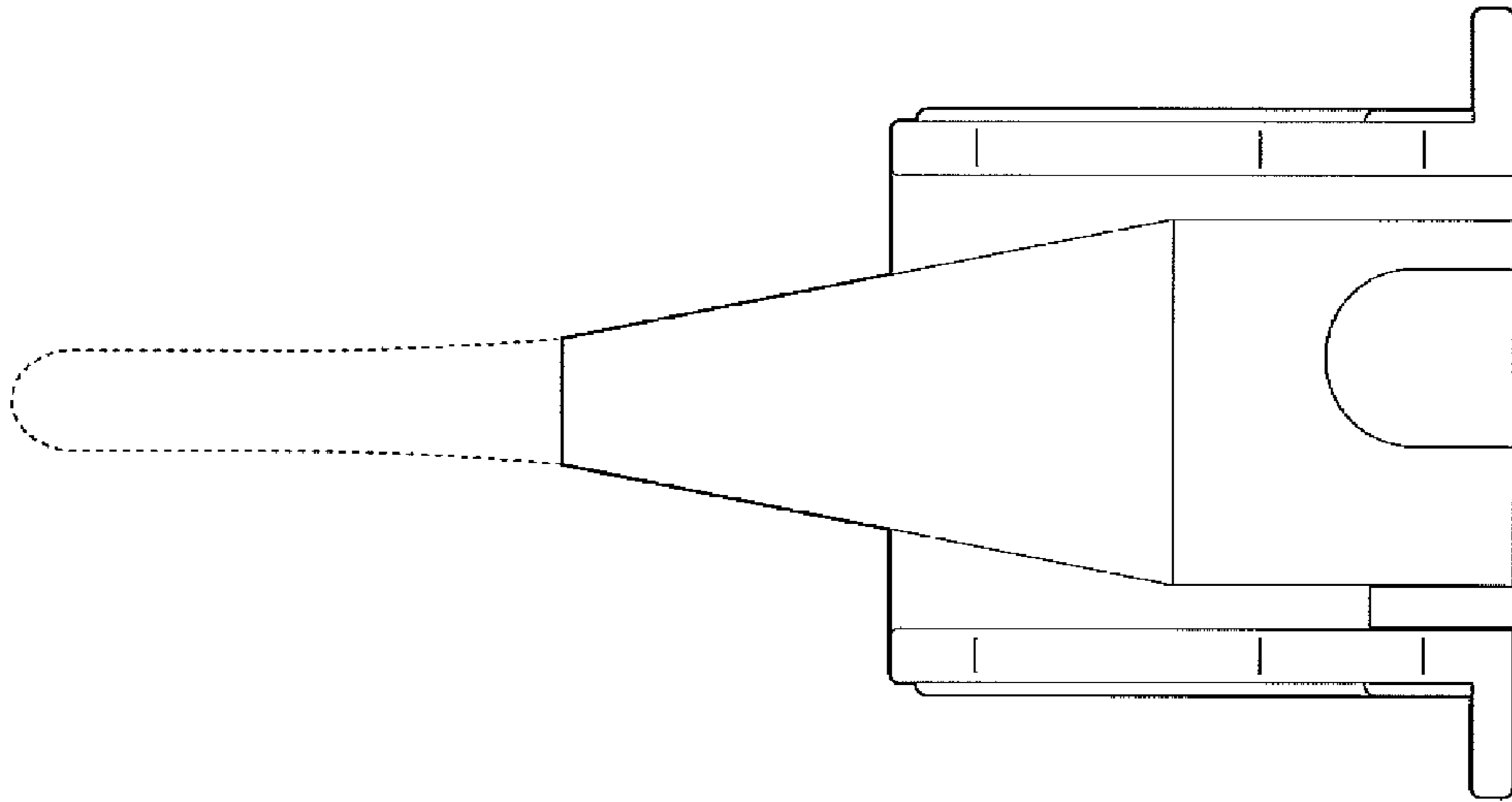


FIG. 6

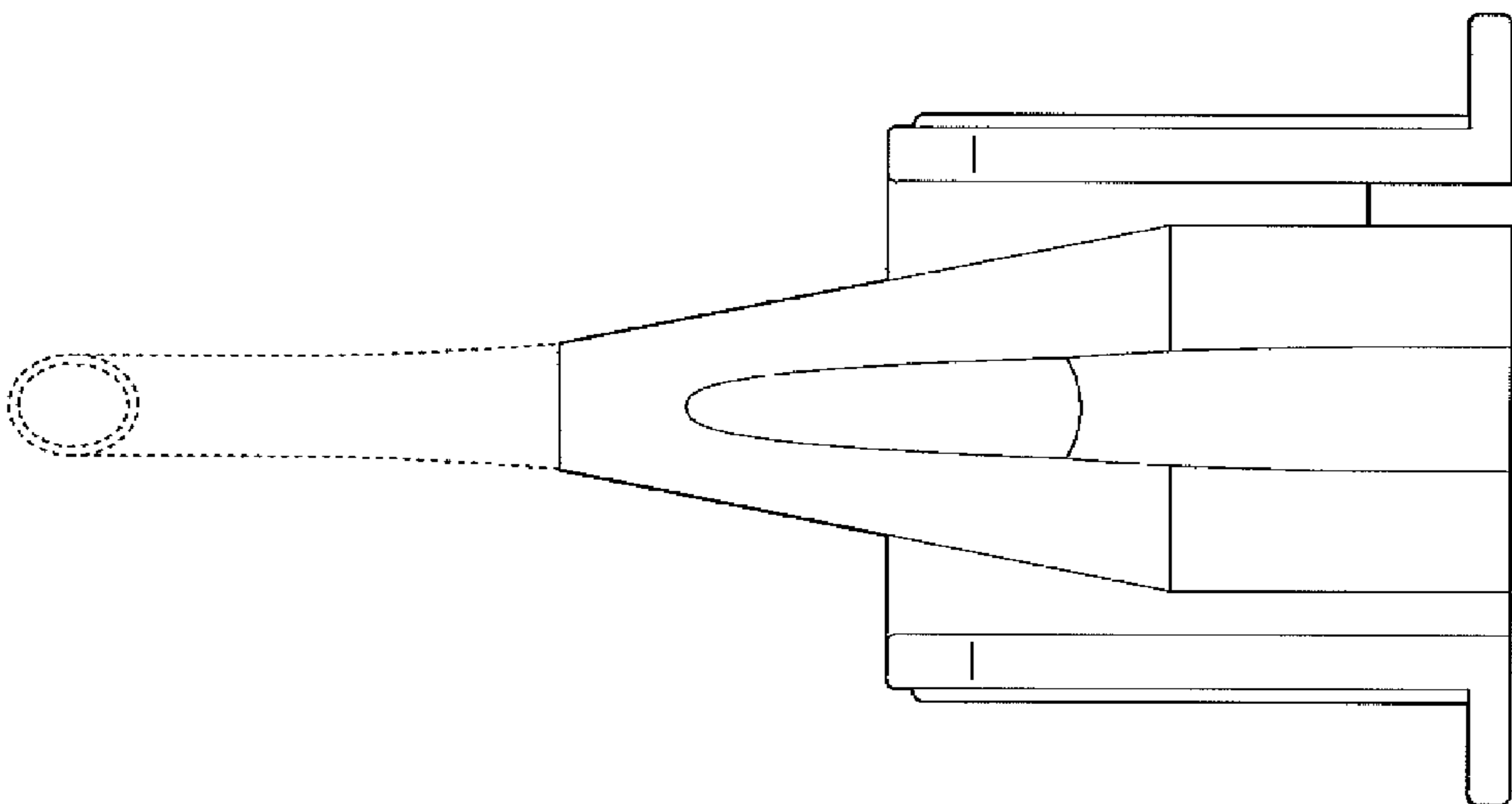


FIG. 7