



US00D615650S

(12) **United States Design Patent**
Strom et al.

(10) **Patent No.:** **US D615,650 S**

(45) **Date of Patent:** **** May 11, 2010**

(54) **VETERINARY OTOSCOPIC TIP ELEMENT**

(75) Inventors: **John R. Strom**, Moravia, NY (US);
Steven R. Slawson, Camillus, NY (US);
Elizabeth P. Staples, Cayuga, NY (US);
Kimberly E. McNeilly, Skaneateles, NY
(US); **Eric M. Andreassen**, Camillus,
NY (US)

(73) Assignee: **Welch Allyn, Inc.**, Skaneateles Falls, NY
(US)

(**) Term: **14 Years**

(21) Appl. No.: **29/255,605**

(22) Filed: **Mar. 10, 2006**

(51) **LOC (9) Cl.** **24-02**

(52) **U.S. Cl.** **D24/135**

(58) **Field of Classification Search** D24/133,
D24/137, 135, 138, 141, 140; 600/200
See application file for complete search history.

(56) **References Cited**

U.S. PATENT DOCUMENTS

3,698,387	A	10/1972	Moore et al.	
5,390,663	A	2/1995	Schaefer	
D406,339	S *	3/1999	Stacks	D24/137
D421,123	S *	2/2000	Kugler et al.	D24/137
6,106,457	A	8/2000	Perkins et al.	
6,383,133	B1 *	5/2002	Jones	600/200
7,029,439	B2	4/2006	Roberts et al.	
D566,270	S *	4/2008	Strom et al.	D24/137
2005/0027168	A1	2/2005	Strom et al.	

2005/0027169	A1 *	2/2005	Goldfain et al.	600/200
2008/0123717	A1 *	5/2008	Lane et al.	374/209
2008/0139888	A1 *	6/2008	Strom et al.	600/200

* cited by examiner

Primary Examiner—Ian Simmons

Assistant Examiner—Carissa C Fitts

(74) *Attorney, Agent, or Firm*—Hiscock & Barclay, LLP

(57) **CLAIM**

The ornamental design for a veterinary otoscopic tip element, as shown and described.

DESCRIPTION

FIG. 1 is a first view of an embodiment of the design.

FIG. 2 is a view that is substantially opposite to the first view of FIG. 1.

FIG. 3 is a second view of an embodiment as it is attached to an otoscope.

FIG. 4 is a view that is substantially opposite to the second view of FIG. 3.

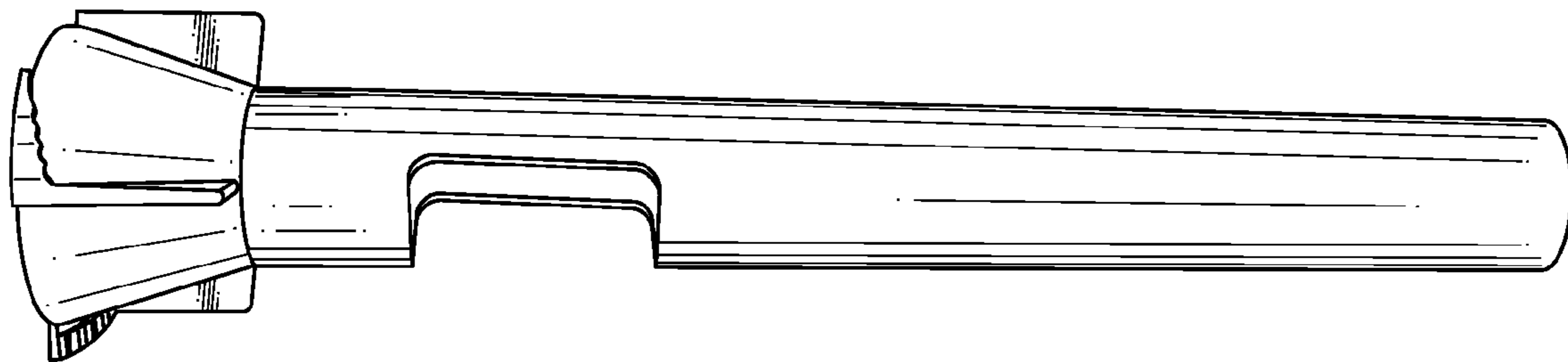
FIG. 5 is a top perspective view of the embodiment that is shown in FIG. 3.

FIG. 6 is a front perspective view of the embodiment that is shown in FIG. 3; and,

FIG. 7 illustrates use of a side port (notch) of the embodiment that is shown in FIG. 3.

The otoscopes and curettes are shown for illustrative purposes only and form no part of the claimed design.

1 Claim, 7 Drawing Sheets



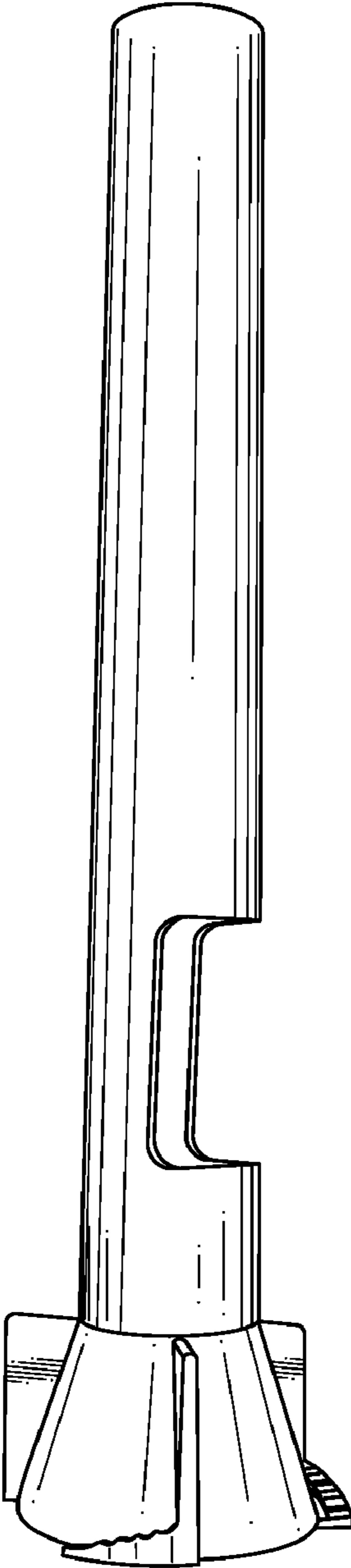


FIG. 1

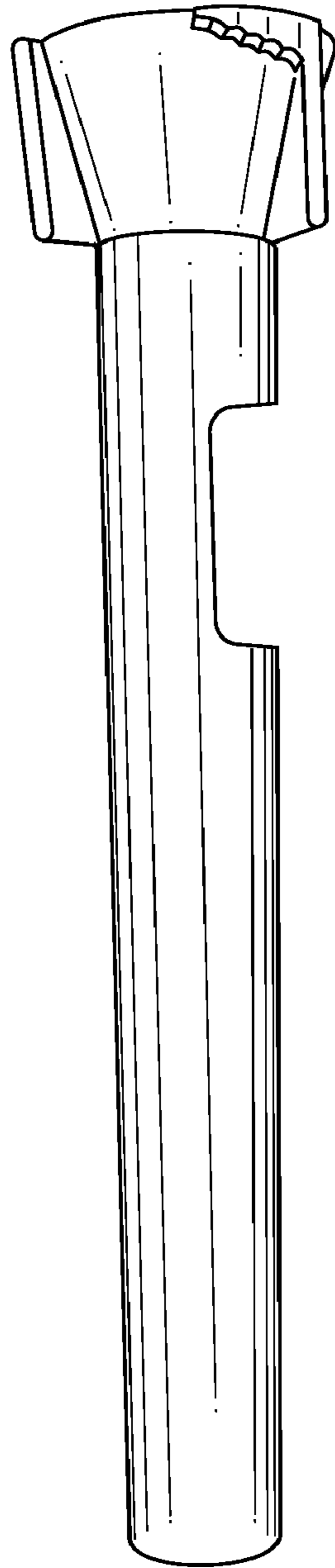


FIG. 2

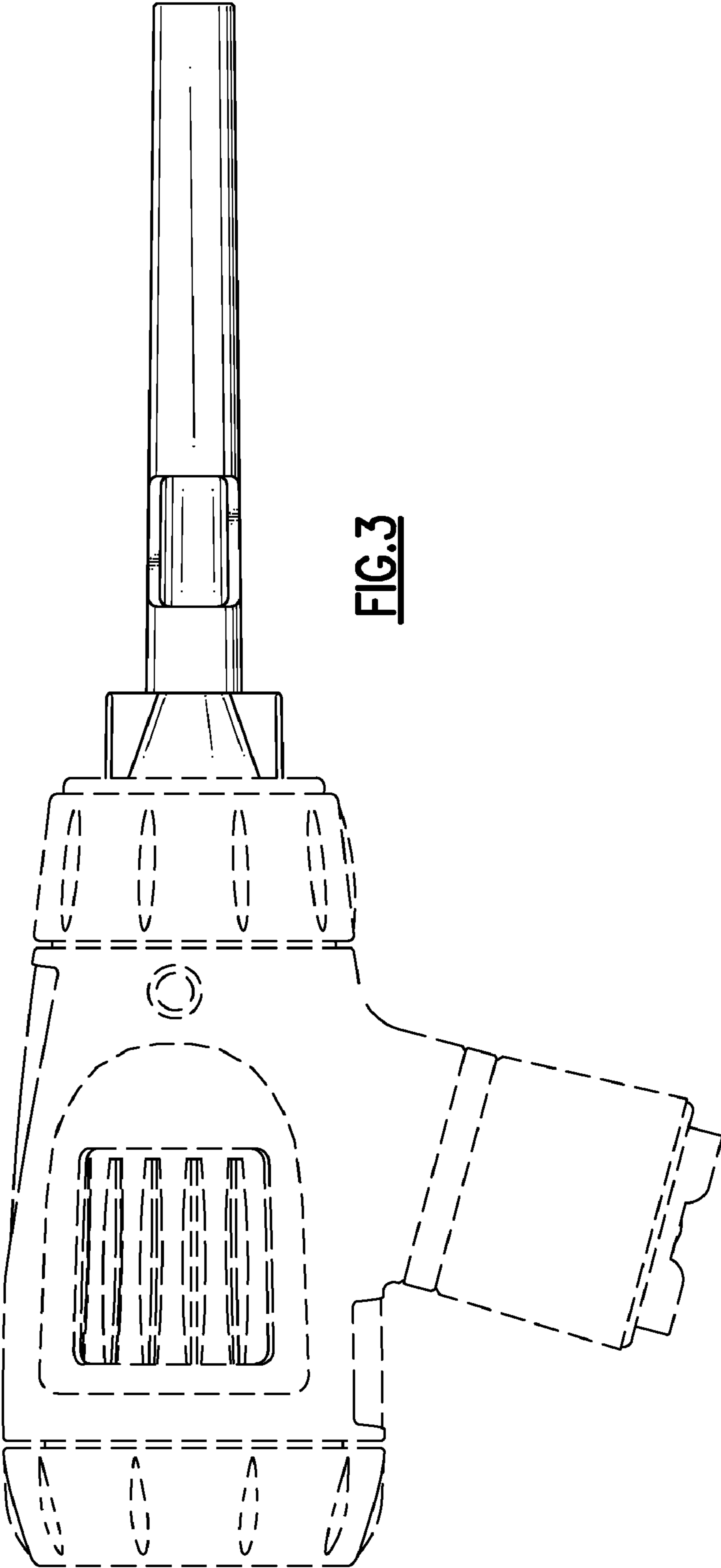


FIG. 3

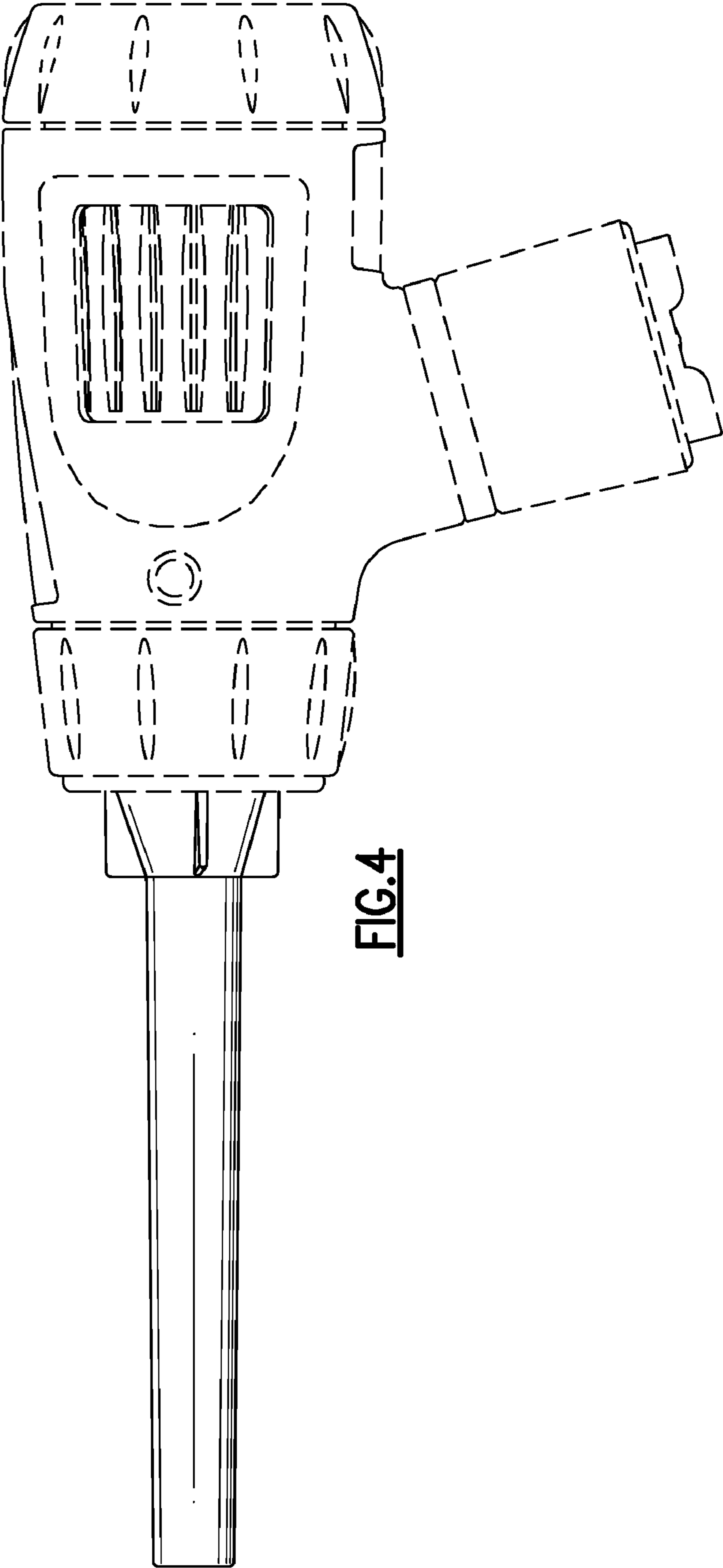


FIG. 4

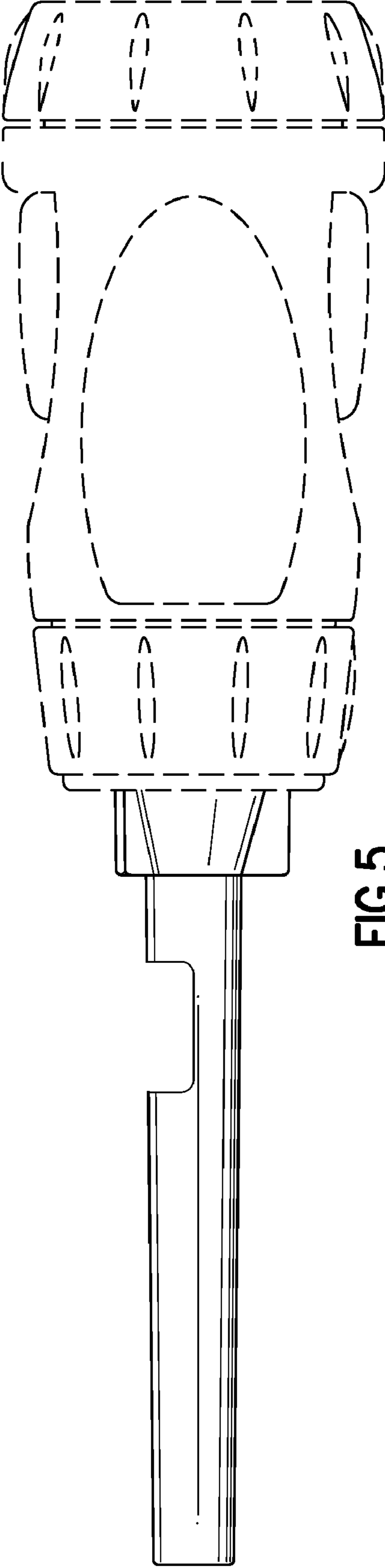


FIG. 5

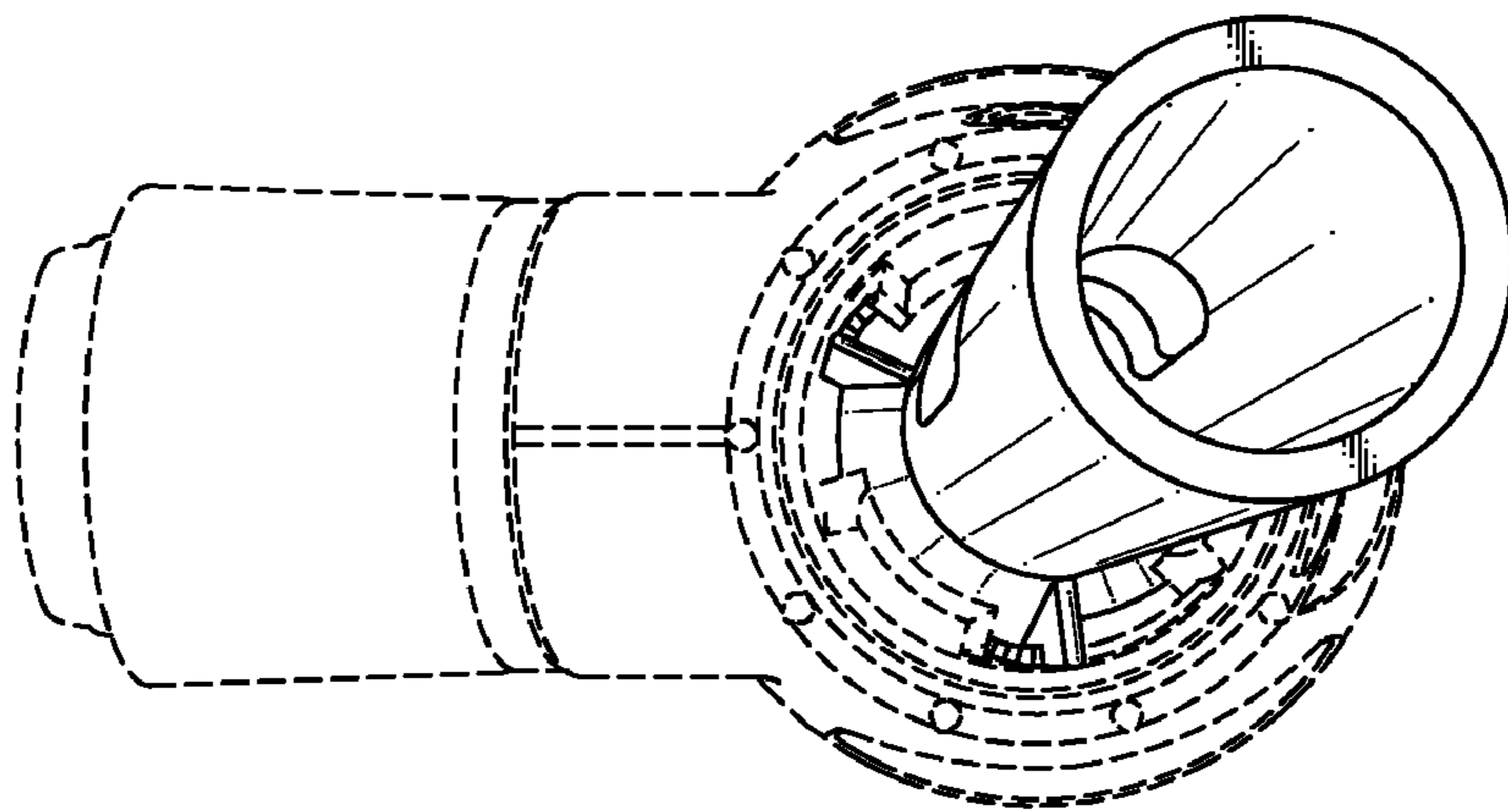


FIG.6

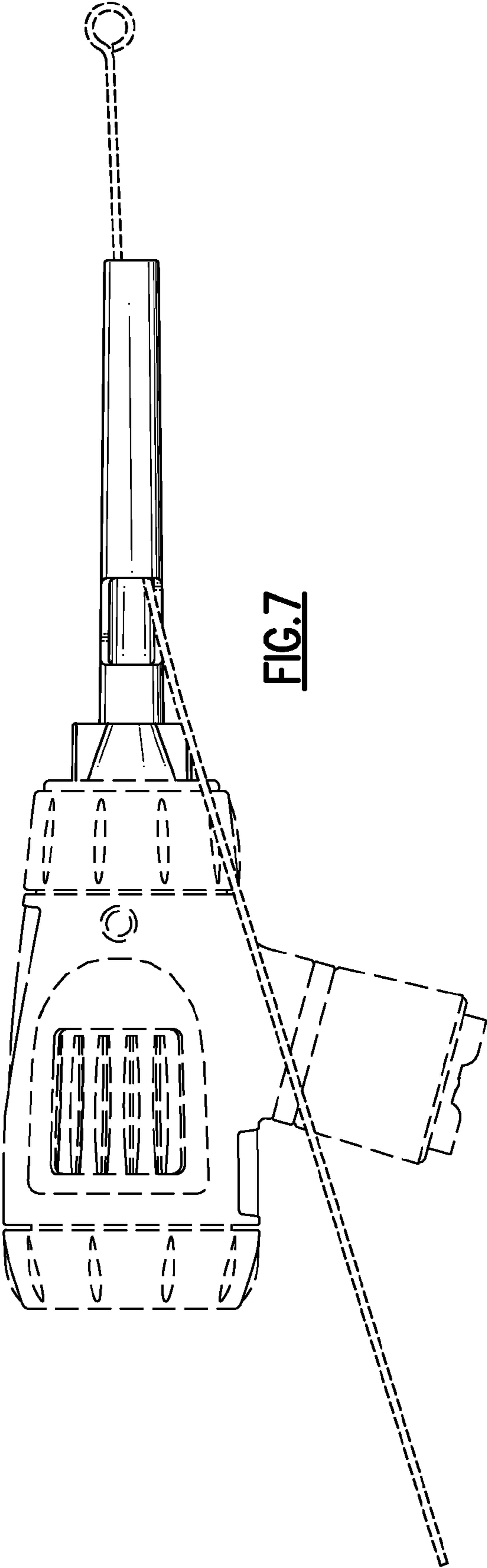


FIG. 7