



US00D615649S

(12) **United States Design Patent**
Zinn et al.

(10) **Patent No.:** **US D615,649 S**

(45) **Date of Patent:** **** May 11, 2010**

(54) **SUTURE WING FOR FLEXIBLE TUBING**

6,991,625 B1 1/2006 Gately et al.
D515,211 S * 2/2006 Chesnin D24/130
D530,420 S 10/2006 Chesnin

(75) Inventors: **Kenneth M. Zinn**, Westport, CT (US);
Mark S. Fisher, Sellersville, PA (US);
W. Shaun Wall, North Wales, PA (US)

(73) Assignees: **Innovative Medical Devices LLC**,
Westport, CT (US); **Medical
Components, Inc.**, Harleysville, PA
(US)

(**) Term: **14 Years**

(21) Appl. No.: **29/342,816**

(22) Filed: **Sep. 1, 2009**

(51) **LOC (9) Cl.** **24-02**

(52) **U.S. Cl.** **D24/130**

(58) **Field of Classification Search** D24/127-130,
D24/112; 604/164.01, 164.05, 165.3, 167,
604/160, 161, 523, 264, 167.02, 272, 533,
604/525, 905, 912, 177, 83, 921, 539

See application file for complete search history.

(56) **References Cited**

U.S. PATENT DOCUMENTS

4,230,109	A	10/1980	Geiss
4,362,156	A	12/1982	Feller, Jr. et al.
D303,712	S	9/1989	Goldberg
5,562,630	A	10/1996	Nichols
5,718,678	A	2/1998	Fleming, III
D395,501	S	6/1998	Erskine et al.
5,807,311	A	9/1998	Palestrant
5,947,953	A	9/1999	Ash et al.
D433,503	S	11/2000	Powers et al.
6,190,349	B1	2/2001	Ash et al.
D459,802	S	7/2002	Cindrich
6,689,096	B1	2/2004	Loubens et al.
6,695,832	B2	2/2004	Schon et al.
6,719,727	B2	4/2004	Brimhall et al.
6,719,749	B1	4/2004	Schweikert et al.
D498,844	S	11/2004	Diamond et al.
D505,202	S	5/2005	Chesnin
6,969,381	B2	11/2005	Voorhees

(Continued)

Primary Examiner—T. Chase Nelson

Assistant Examiner—Eric L Goodman

(74) *Attorney, Agent, or Firm*—Anton P. Ness; Fox
Rothschild LLP

(57) **CLAIM**

The ornamental design for a suture wing for flexible tubing,
as shown and described.

DESCRIPTION

FIG. 1 is an isometric view from above of a suture wing for flexible tubing according to the present invention, shown affixed to flexible tubing (in dashed lines); the flexible tubing does not form part of the present invention.

FIG. 2 is a top view of the suture wing for flexible tubing shown in FIG. 1.

FIG. 3 is a right side view of the suture wing for flexible tubing shown in FIG. 1.

FIG. 4 is a bottom view of the suture wing for flexible tubing shown in FIG. 1.

FIG. 5 is an isometric view from below of the suture wing for flexible tubing shown in FIG. 1.

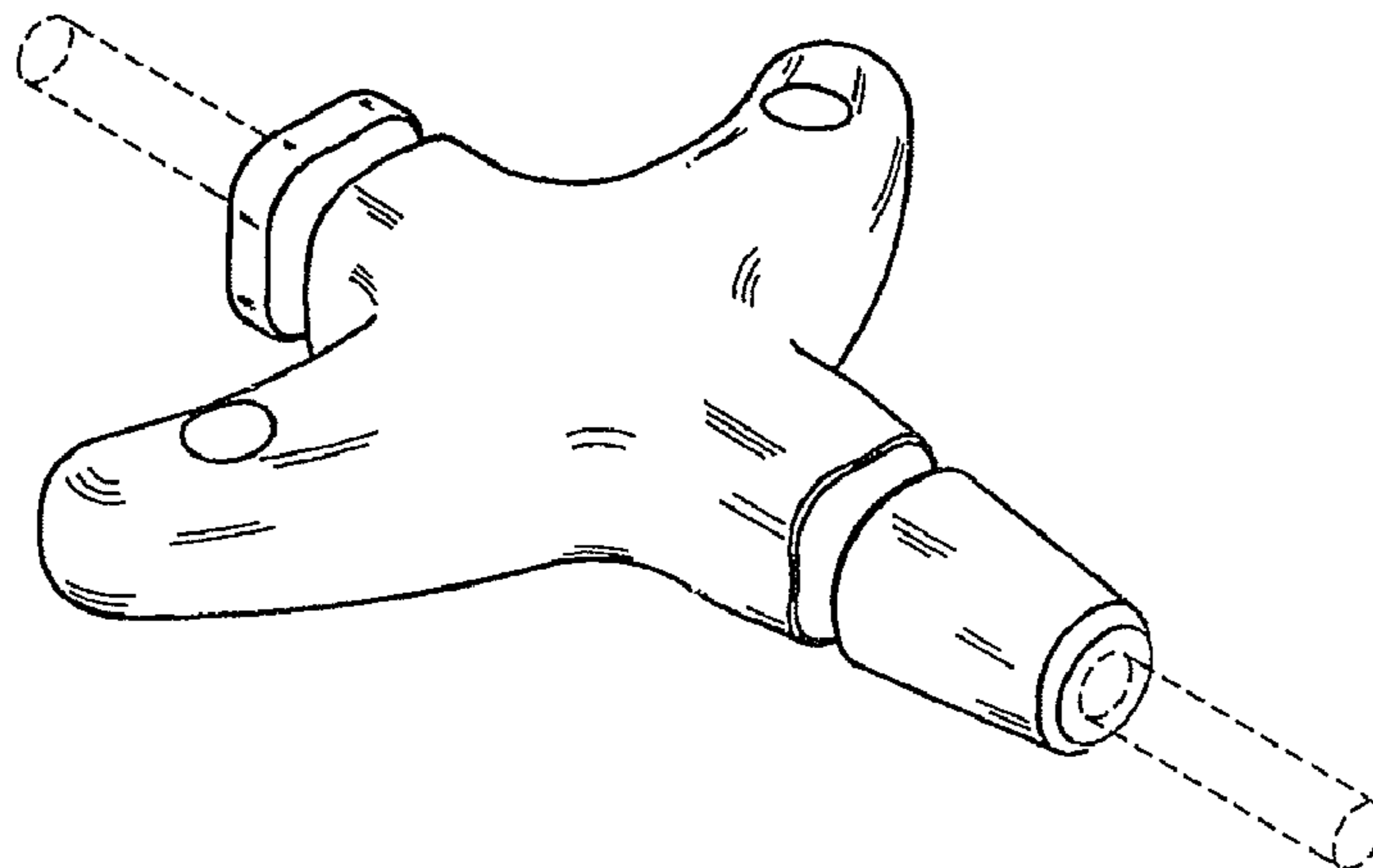
FIG. 6 is a distal end view of the suture wing for flexible tubing shown in FIG. 1.

FIG. 7 is a left side view of the suture wing for flexible tubing shown in FIG. 1; and,

FIG. 8 is a proximal end view of the suture wing for flexible tubing shown in FIG. 1.

The broken lines depict environmental structure that forms no part of the claimed design.

1 Claim, 2 Drawing Sheets



US D615,649 S

Page 2

U.S. PATENT DOCUMENTS			
		7,517,337 B2 *	4/2009 Morris et al. 604/177
7,220,246 B2	5/2007 Raulerson et al.	2005/0209581 A1 *	9/2005 Butts et al. 604/523
D546,446 S *	7/2007 Chesnin D24/130	2005/0222593 A1	10/2005 Markel et al.
7,261,708 B2	8/2007 Raulerson	2007/0260221 A1 *	11/2007 Chesnin 604/523
D590,499 S *	4/2009 Chesnin D24/129	* cited by examiner	

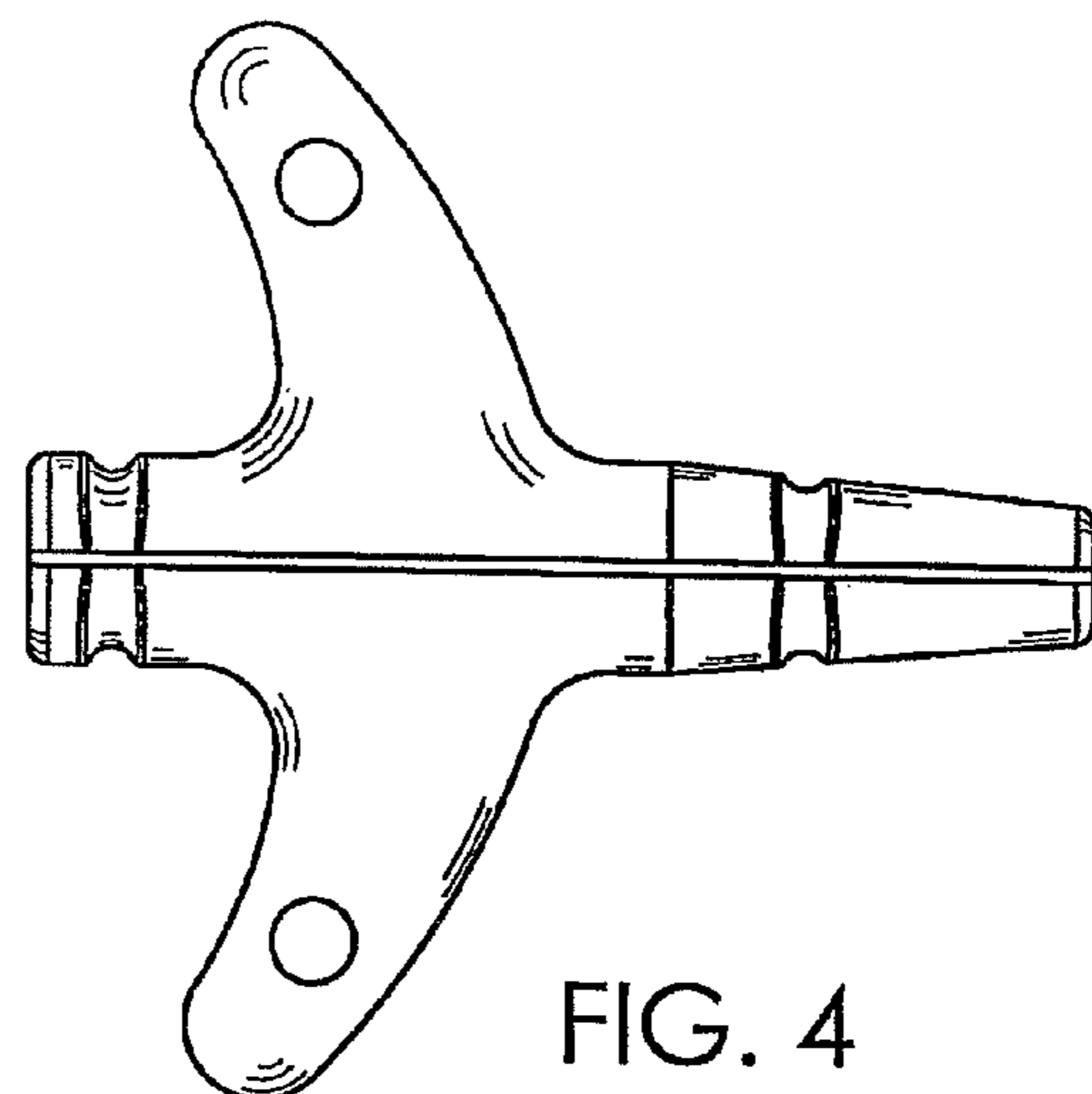
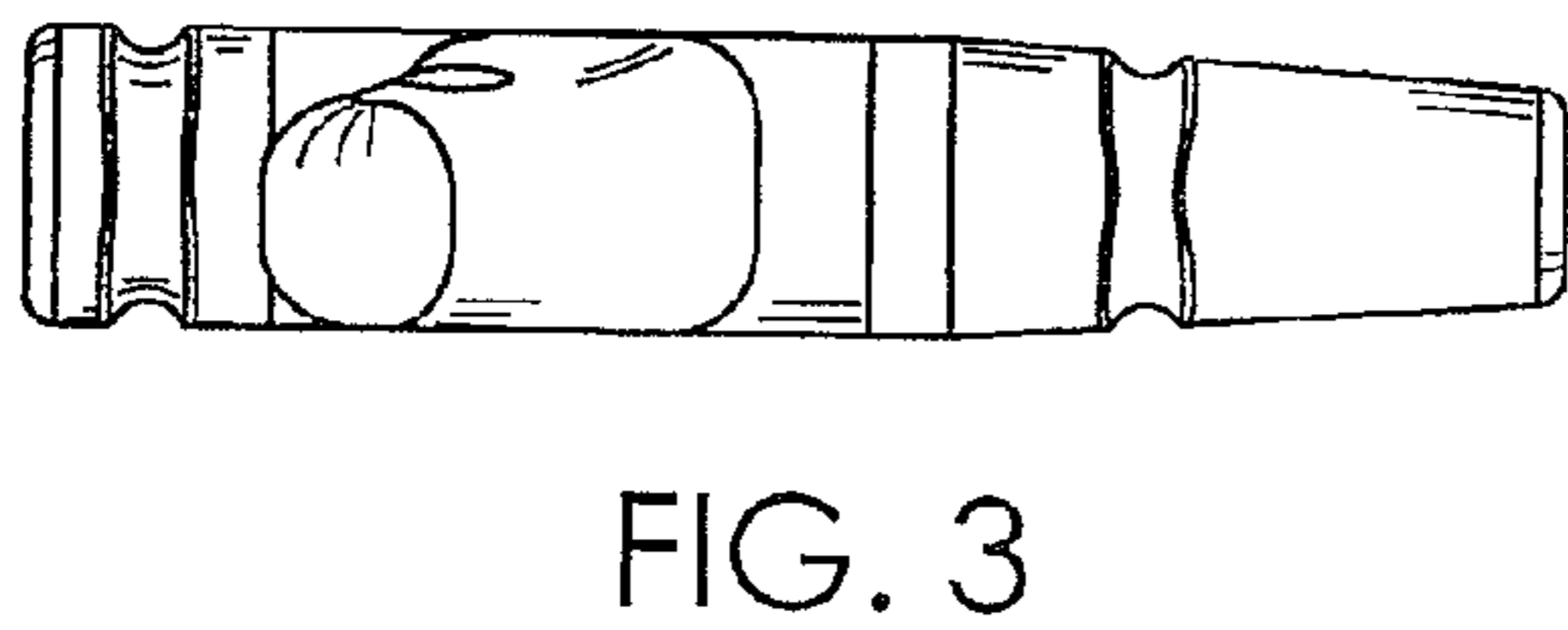
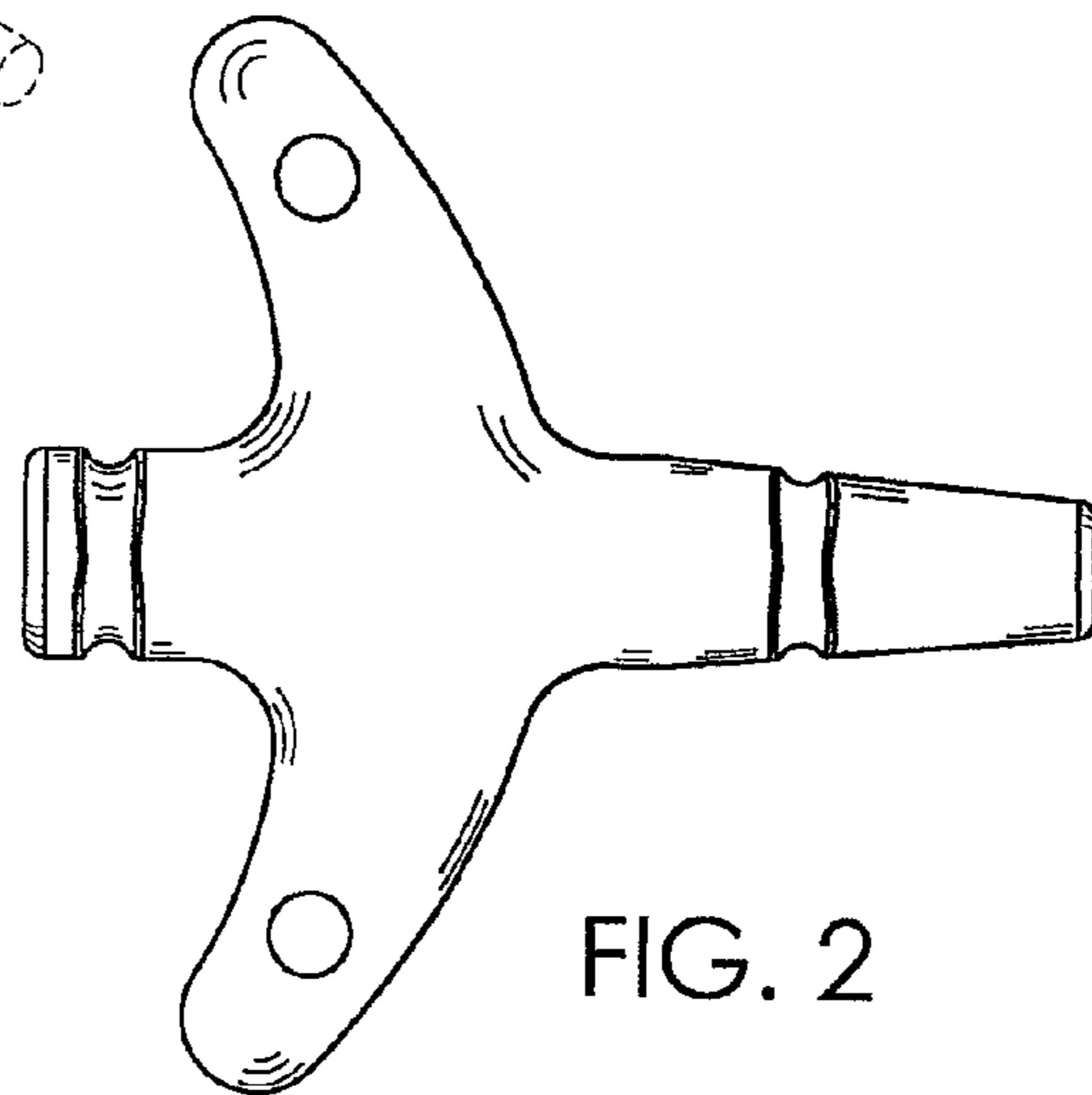
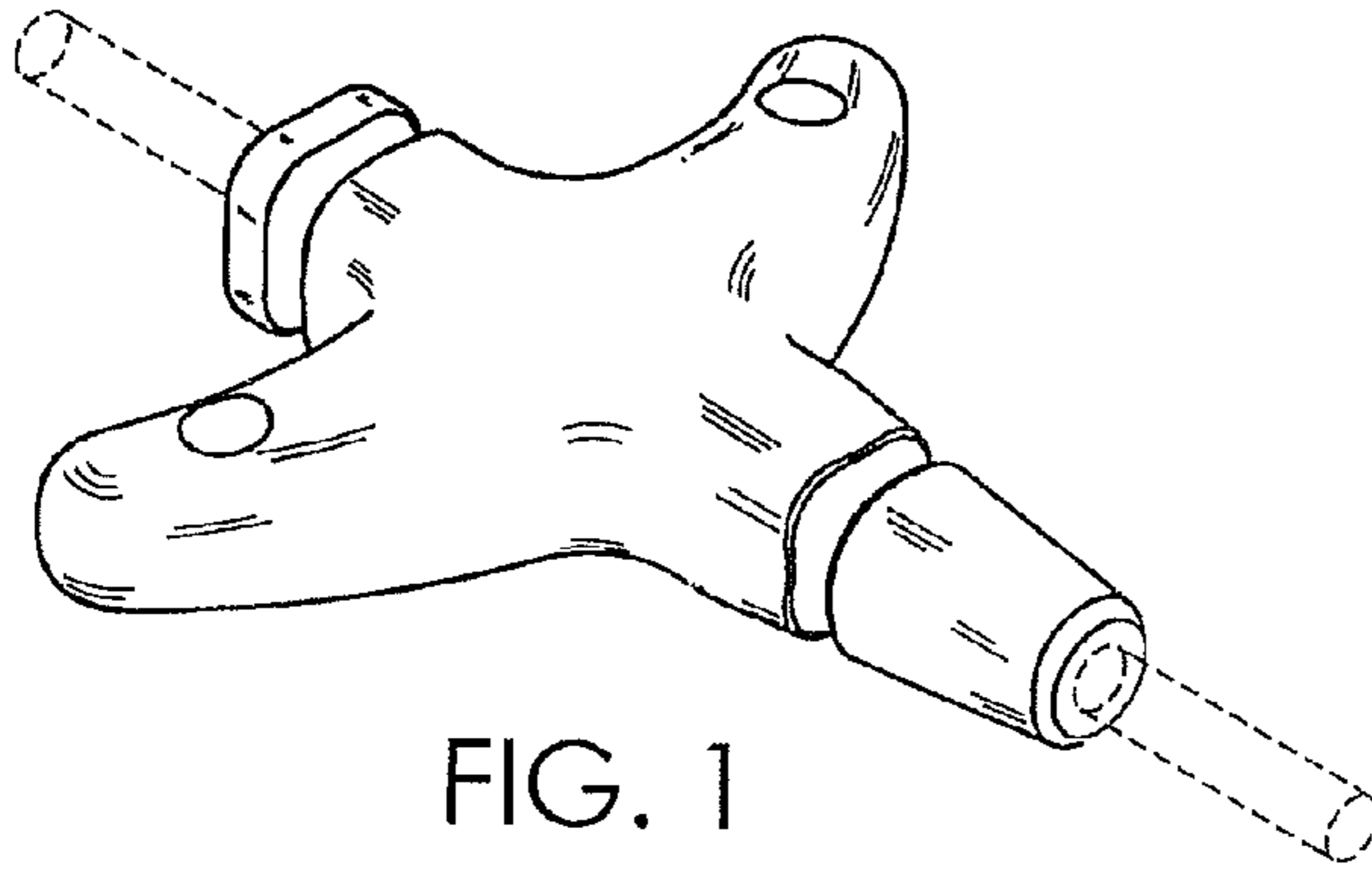




FIG. 5

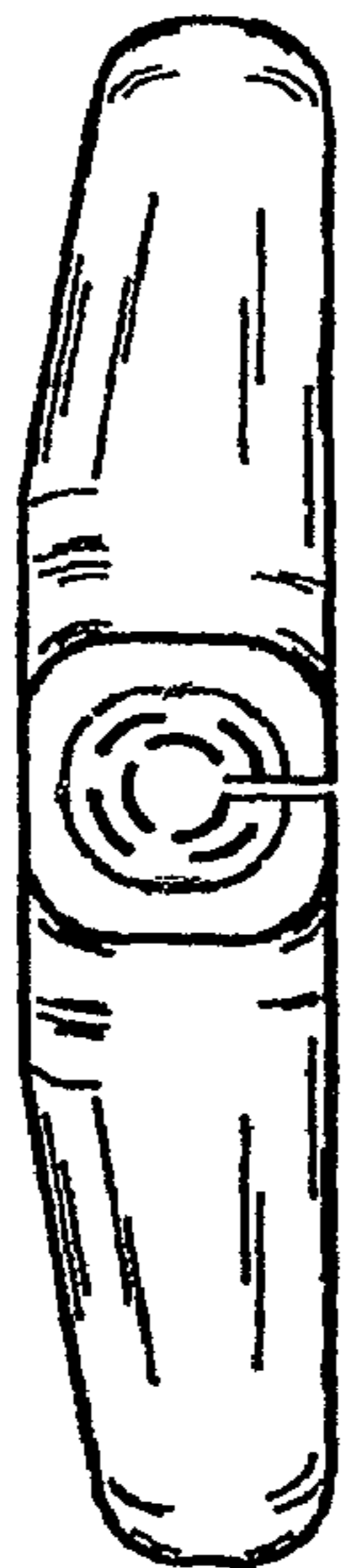


FIG. 6

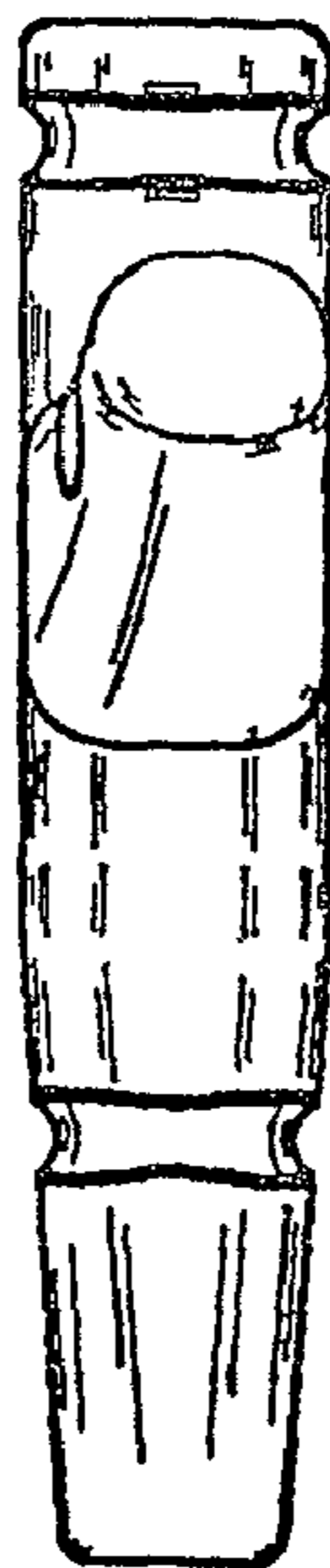


FIG. 7



FIG. 8