



US00D615644S

(12) **United States Design Patent**
Sacchetti

(10) **Patent No.:** **US D615,644 S**

(45) **Date of Patent:** **** May 11, 2010**

(54) **ANTI-FREE FLOW MODULATOR**

6,659,976 B2 12/2003 Beck et al.
6,852,094 B2 2/2005 Beck et al.
6,907,788 B2 6/2005 Malmstrom et al.
6,953,450 B2 10/2005 Baldwin et al.

(75) Inventor: **Peter J. Sacchetti**, Attleboro, MA (US)

(73) Assignee: **OST Medical, Inc.**, Warwick, RI (US)

(**) Term: **14 Years**

(21) Appl. No.: **29/323,020**

(Continued)

(22) Filed: **Aug. 15, 2008**

FOREIGN PATENT DOCUMENTS

GB 2267549 A 8/1993

(51) **LOC (9) Cl.** **24-01**

(52) **U.S. Cl.** **D24/111**

(58) **Field of Classification Search** D24/111,
D24/129; 604/244, 246; 417/474; 137/853
See application file for complete search history.

Primary Examiner—Lisa P Lichtenstein
(74) *Attorney, Agent, or Firm*—Barlow, Josephs & Holmes,
Ltd.

(56) **References Cited**

(57) **CLAIM**

U.S. PATENT DOCUMENTS

The ornamental design for an anti-free flow modulator, as shown and described.

4,205,690 A	6/1980	Layton	
4,616,645 A	10/1986	Pedersen et al.	
5,396,925 A	3/1995	Poli	
5,443,453 A	8/1995	Walker et al.	
5,478,211 A	12/1995	Dominiak et al.	
5,482,438 A	1/1996	Anderson et al.	
5,482,446 A	1/1996	Williamson et al.	
5,551,850 A	9/1996	Williamson et al.	
5,567,120 A	10/1996	Hungerford et al.	
5,584,671 A	12/1996	Schweitzer et al.	
5,630,710 A	5/1997	Tune et al.	
5,649,810 A	7/1997	Schweitzer, Jr. et al.	
5,658,133 A	8/1997	Anderson et al.	
5,718,569 A	2/1998	Holst	
5,826,621 A *	10/1998	Jemmott 137/853	
6,089,225 A	7/2000	Brown et al.	
6,089,272 A	7/2000	Brand et al.	
6,106,498 A	8/2000	Friedli et al.	
6,224,578 B1	5/2001	Davis et al.	
6,261,262 B1	7/2001	Briggs et al.	
6,263,871 B1	7/2001	Brown et al.	
6,354,291 B1	3/2002	Brown et al.	
6,454,742 B1	9/2002	Noecker et al.	
6,461,335 B1	10/2002	Noecker	
6,494,864 B1	12/2002	Kerwin et al.	
6,523,414 B1	2/2003	Malmstrom et al.	

DESCRIPTION

FIG. 1 is a front perspective view of the anti-free flow modulator showing our new design taken from the top, the dashed lines forming no part of the claimed design;

FIG. 2 is a front elevational view thereof, the dashed lines forming no part of the claimed design;

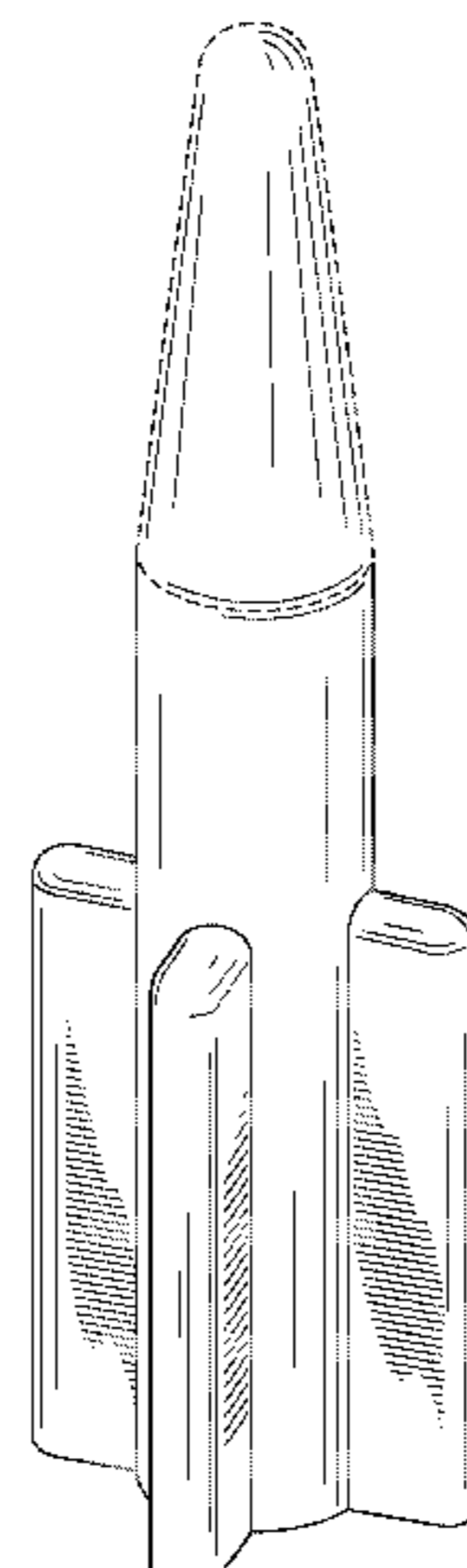
FIG. 3 is a left elevational view thereof, a right elevational view being a mirror image thereof, the dashed lines forming no part of the claimed design;

FIG. 4 is a top view thereof, the dashed lines forming no part of the claimed design; and,

FIG. 5 is a bottom view thereof.

The broken line showing of a portion of the anti- free flow modulator is included for the purpose of illustrating environmental structure and forms no part of the claimed design.

1 Claim, 4 Drawing Sheets



US D615,644 S

Page 2

U.S. PATENT DOCUMENTS

6,979,311 B2	12/2005	Miles et al.	7,150,727 B2	12/2006	Cise et al.
7,059,840 B2	6/2006	Corwin et al.	7,150,735 B2	12/2006	Hickle
7,070,575 B2	7/2006	Beck et al.	7,367,963 B2	5/2008	Cise et al.
7,121,143 B2	10/2006	Malmstrom et al.	7,384,408 B2	6/2008	Barak

* cited by examiner

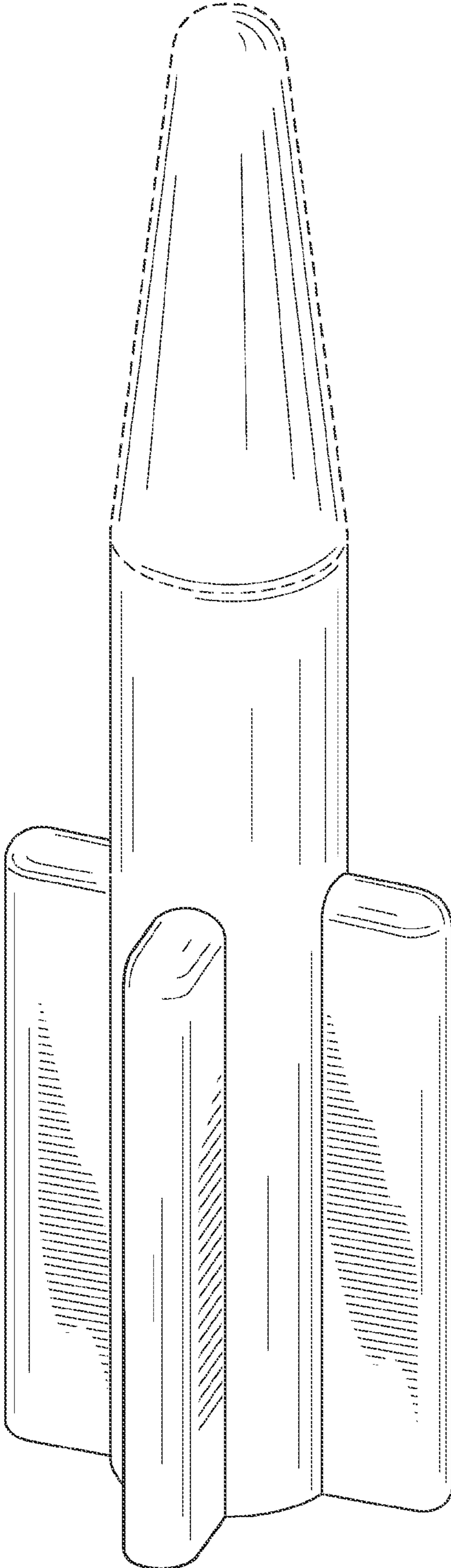


FIG. 1

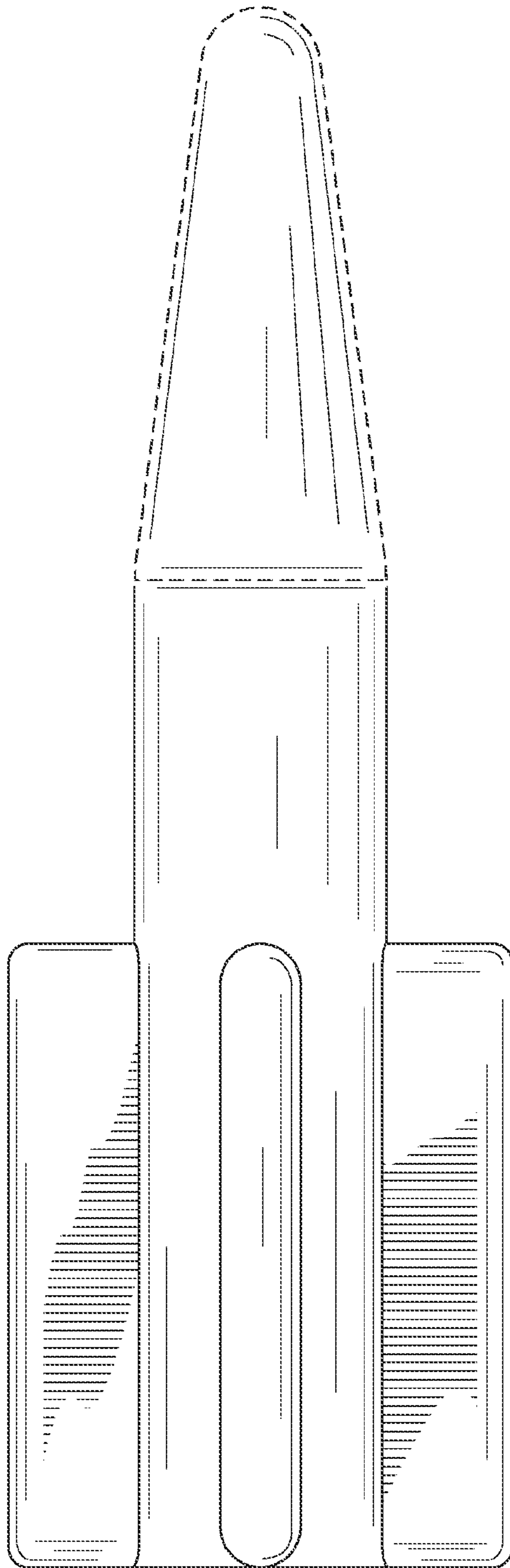


FIG. 2

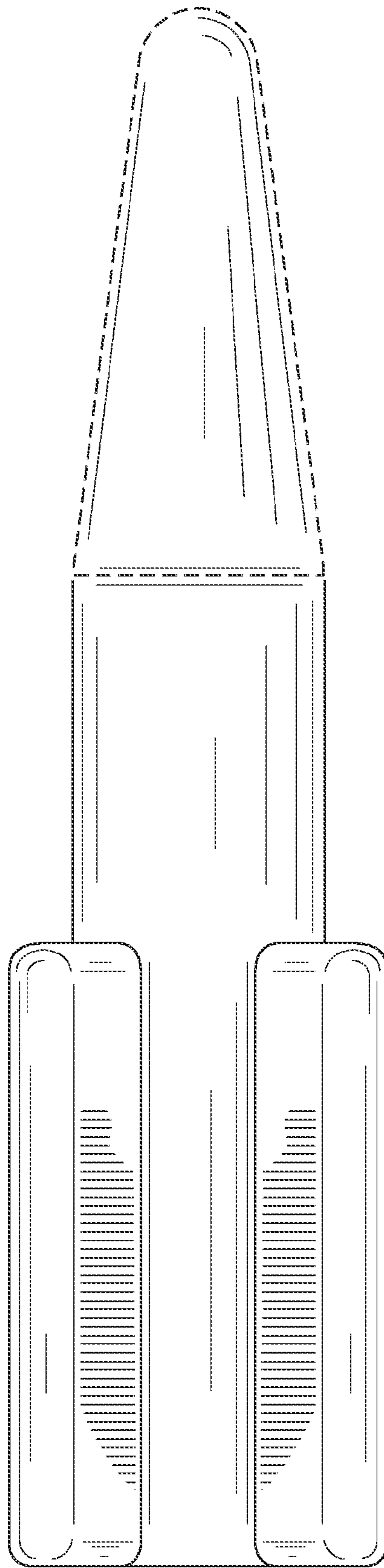


FIG. 3

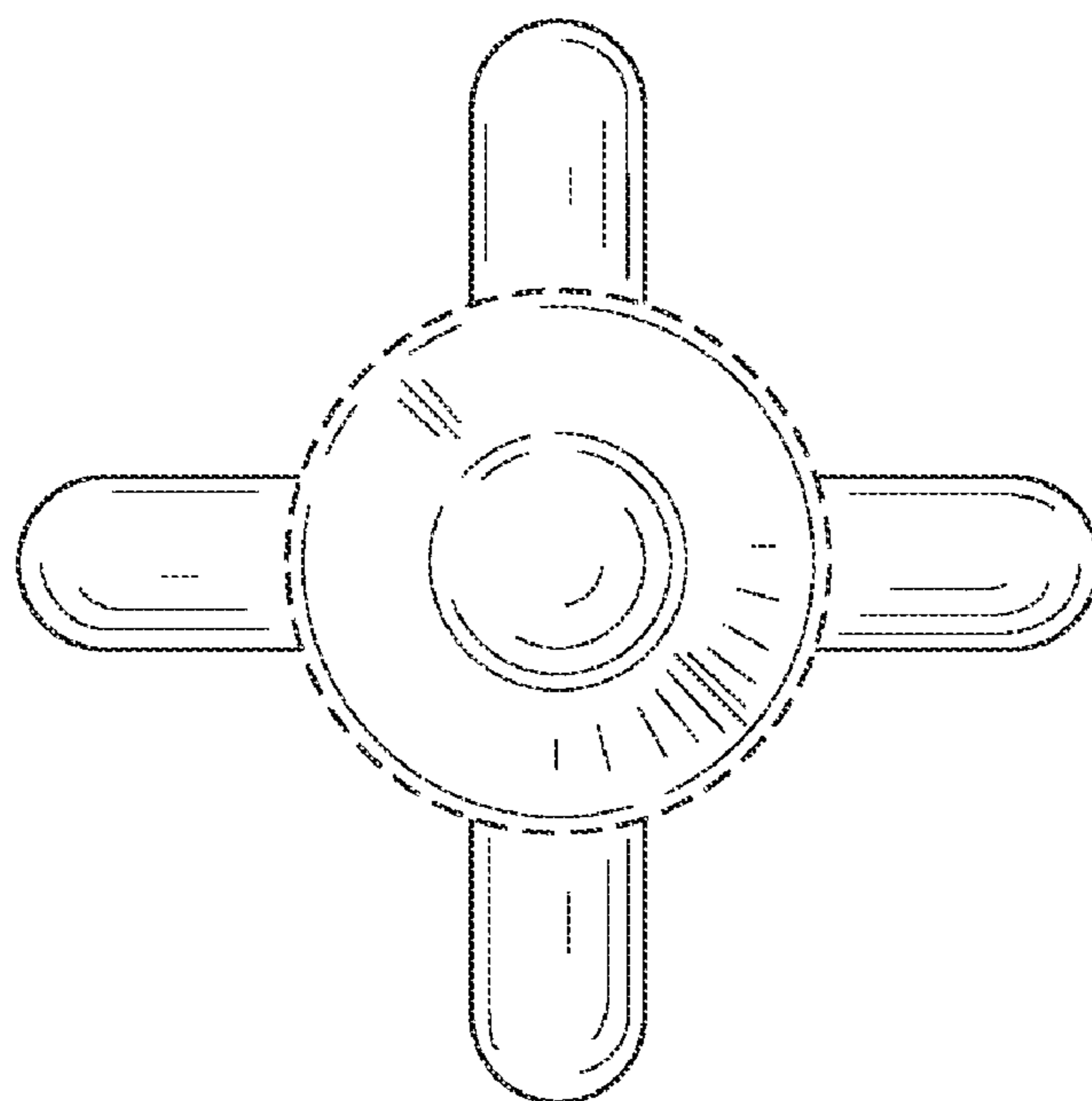


FIG. 4

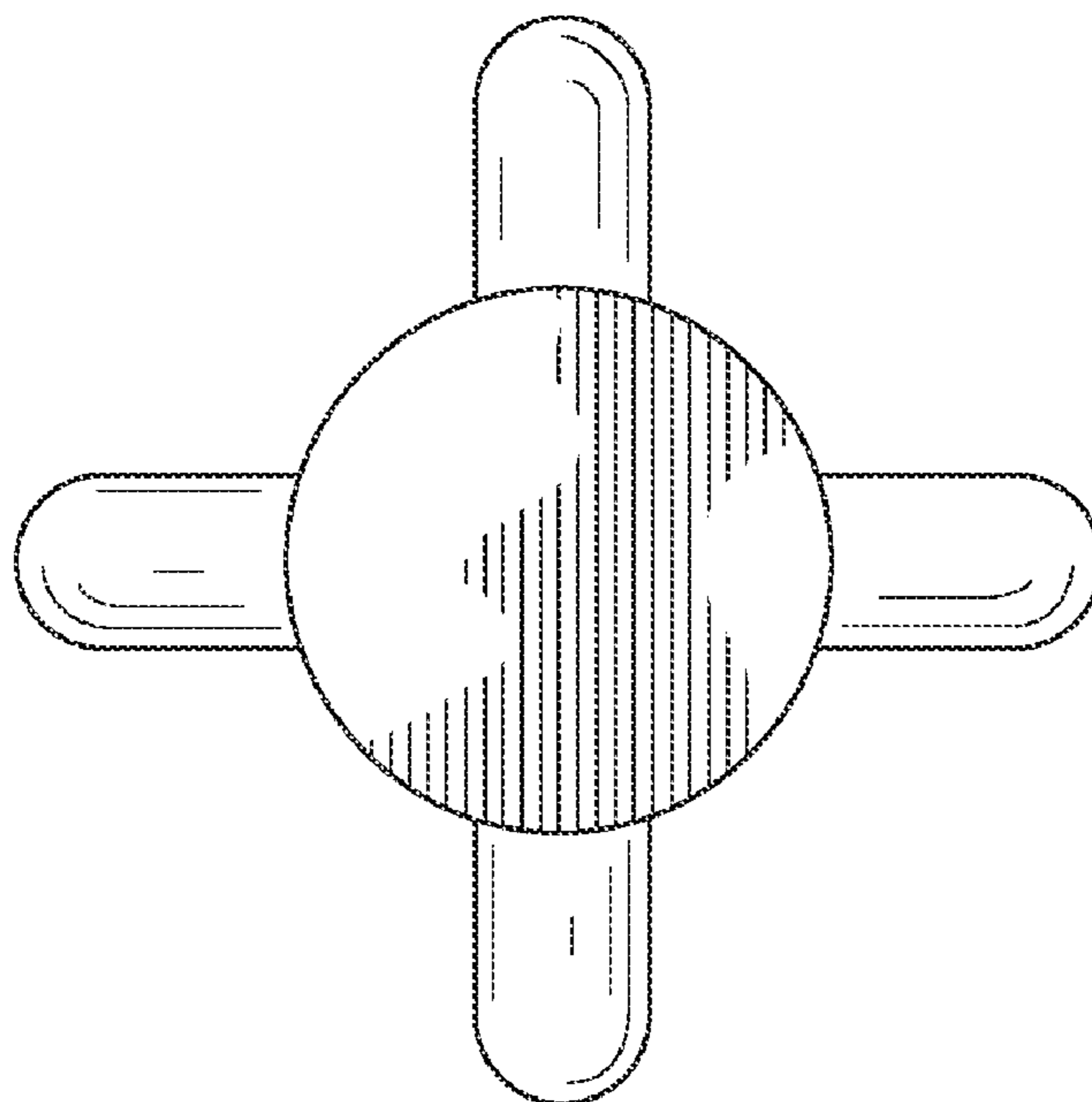


FIG. 5