



US00D615643S

(12) **United States Design Patent**
Nashed

(10) **Patent No.:** **US D615,643 S**

(45) **Date of Patent:** **** May 11, 2010**

(54) **DISPOSABLE ANESTHESIA FACE MASK**

(76) **Inventor:** **Ramses Nashed**, 505 First Ave. South,
Tierra Verde, FL (US) 33715

(**) **Term:** **14 Years**

(21) **Appl. No.:** **29/315,832**

(22) **Filed:** **Jul. 28, 2009**

Related U.S. Application Data

(63) Continuation of application No. 12/221,379, filed on Aug. 26, 2008, and a continuation-in-part of application No. 29/292,759, filed on Oct. 29, 2007, now Pat. No. Des. 598,537.

(51) **LOC (9) Cl.** **29-02**

(52) **U.S. Cl.** **D24/110.1; D24/110.4**

(58) **Field of Classification Search** D24/110.1,
D24/110.4, 110.5; 128/206.24, 206.28, 206.12,
128/207.13, 205.25

See application file for complete search history.

(56) **References Cited**

U.S. PATENT DOCUMENTS

D285,496 S *	9/1986	Berman	D24/110.4
D293,613 S *	1/1988	Wingler	D24/110.1
D300,473 S *	3/1989	Roush	D24/110.4
D323,908 S *	2/1992	Hollister et al.	D24/110.4
D347,495 S *	5/1994	Baldwin	D24/110.1

5,540,223 A *	7/1996	Starr et al.	128/205.25
D388,873 S *	1/1998	Richards et al.	D24/110.4
5,738,094 A *	4/1998	Hoftman	128/206.26
D397,215 S *	8/1998	Hoftman	D24/110.4
D411,297 S *	6/1999	Rosiello et al.	D24/110.4
2006/0185675 A1 *	8/2006	Colin	128/206.24
2007/0295335 A1 *	12/2007	Nashed	128/206.24

* cited by examiner

Primary Examiner—Ian Simmons
Assistant Examiner—Christopher Lee

(57) **CLAIM**

The ornamental design for a disposable anesthesia face mask, as shown and described.

DESCRIPTION

FIG. 1 is a front elevational view of the disposable anesthesia face mask showing my new design;
FIG. 2 is a rear elevational view thereof;
FIG. 3 is a top plan view thereof;
FIG. 4 is a bottom plan view thereof;
FIG. 5 is a right side elevational view thereof;
FIG. 6 is a left side elevational view thereof; and,
FIG. 7 is a right side elevational view thereof showing my new design in use with the broken line representation of a person's face being for illustrative purposes only.

1 Claim, 4 Drawing Sheets

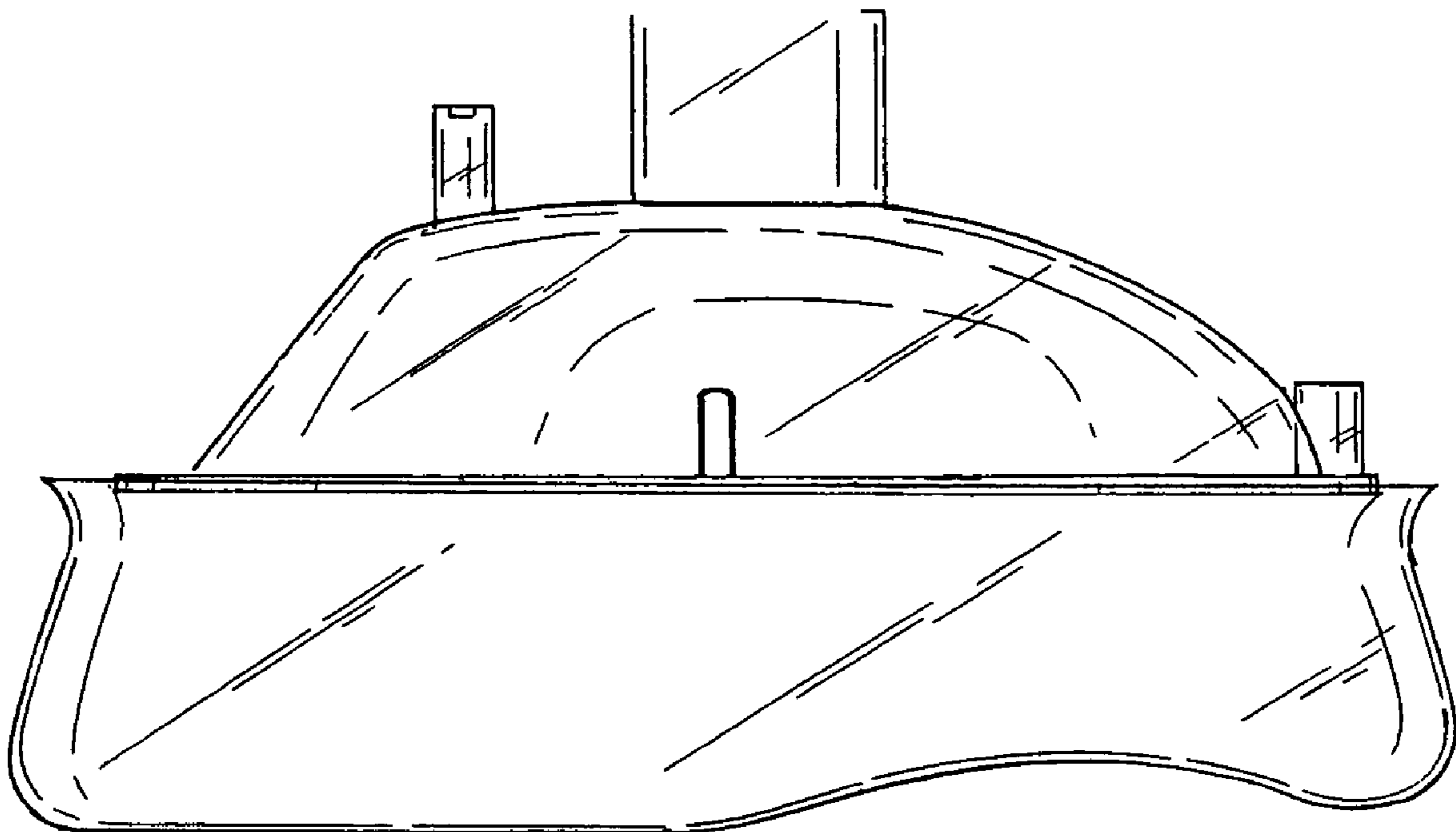


FIG. 1

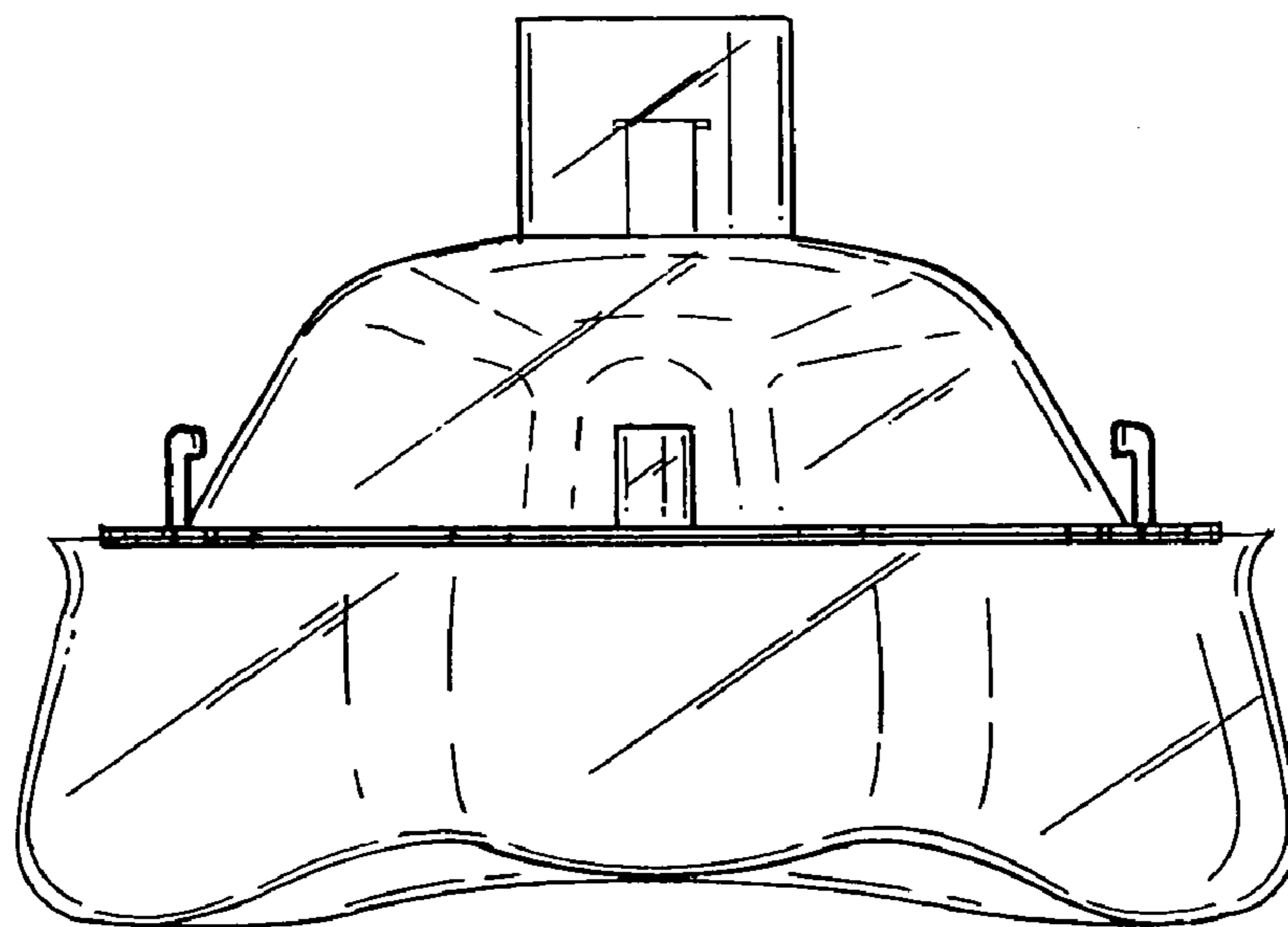
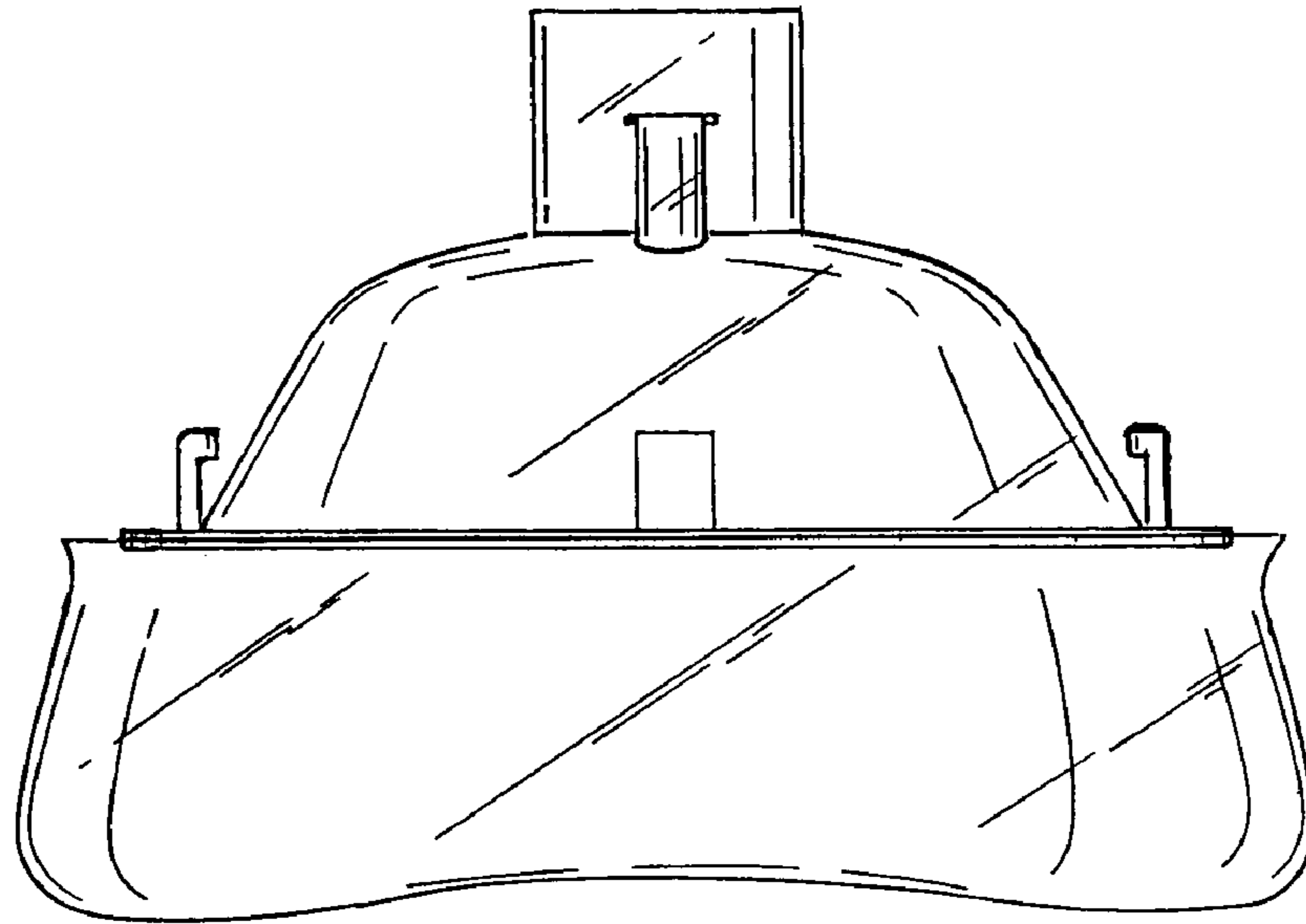


FIG. 2

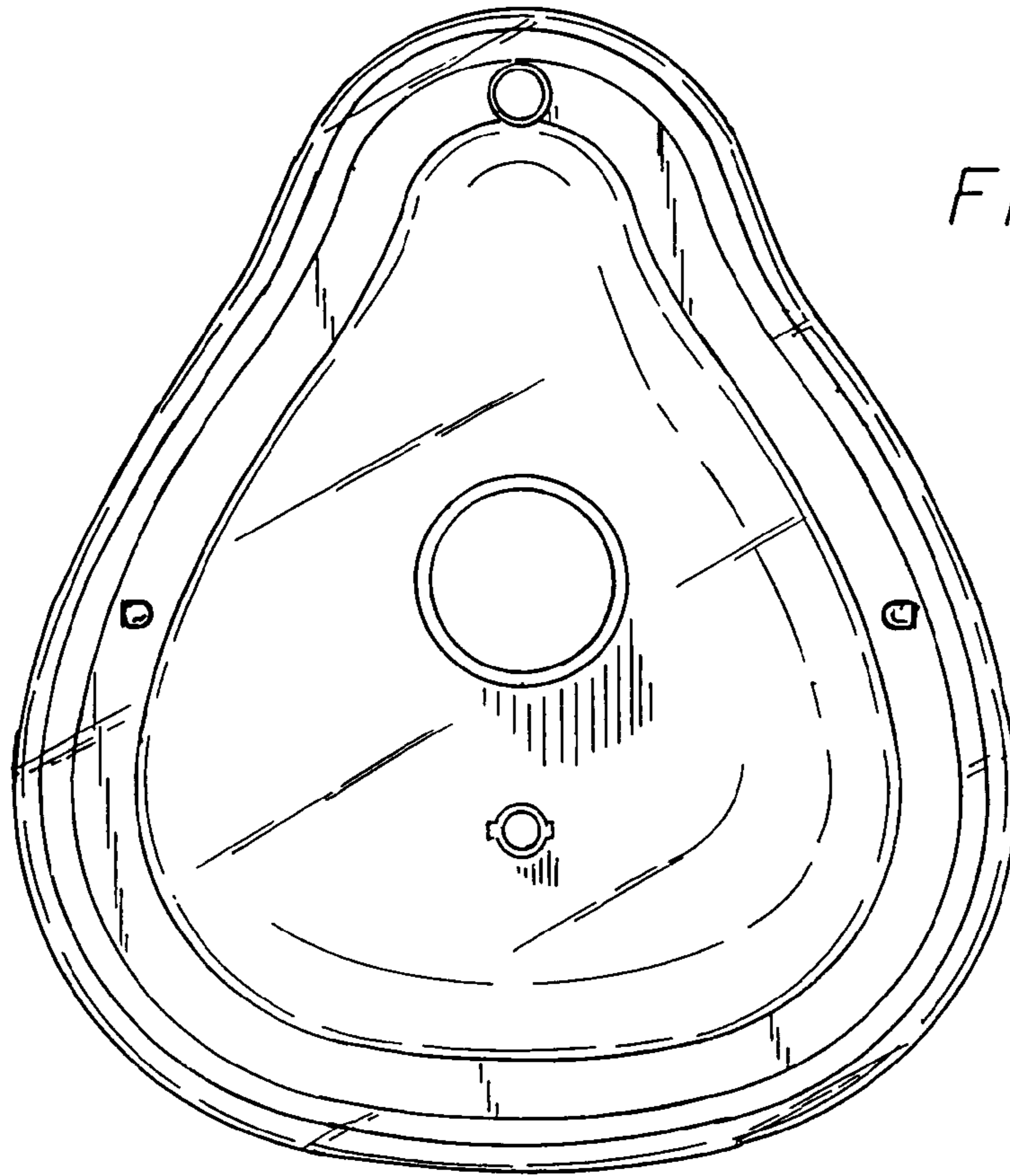


FIG 3

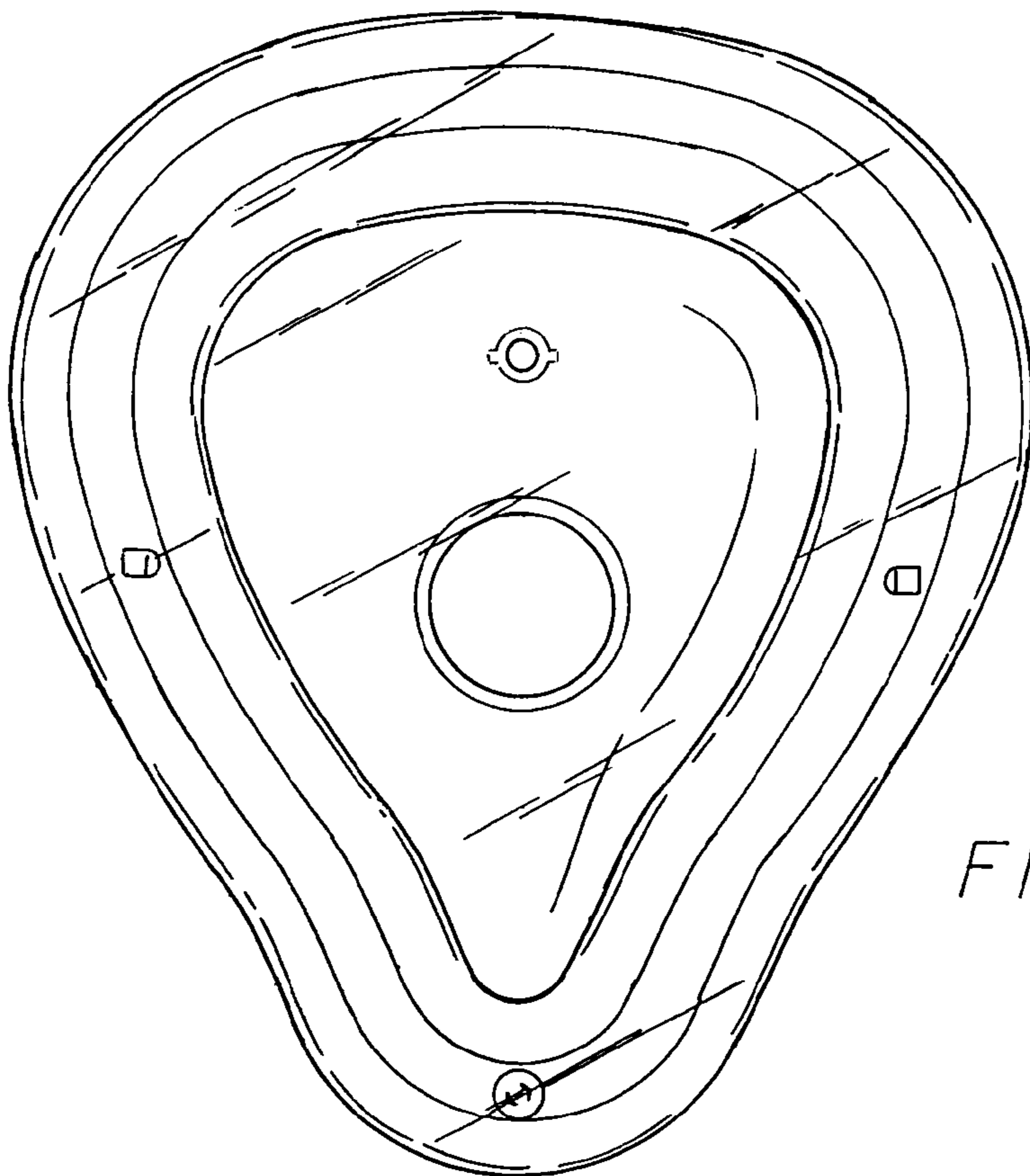


FIG 4

FIG. 5

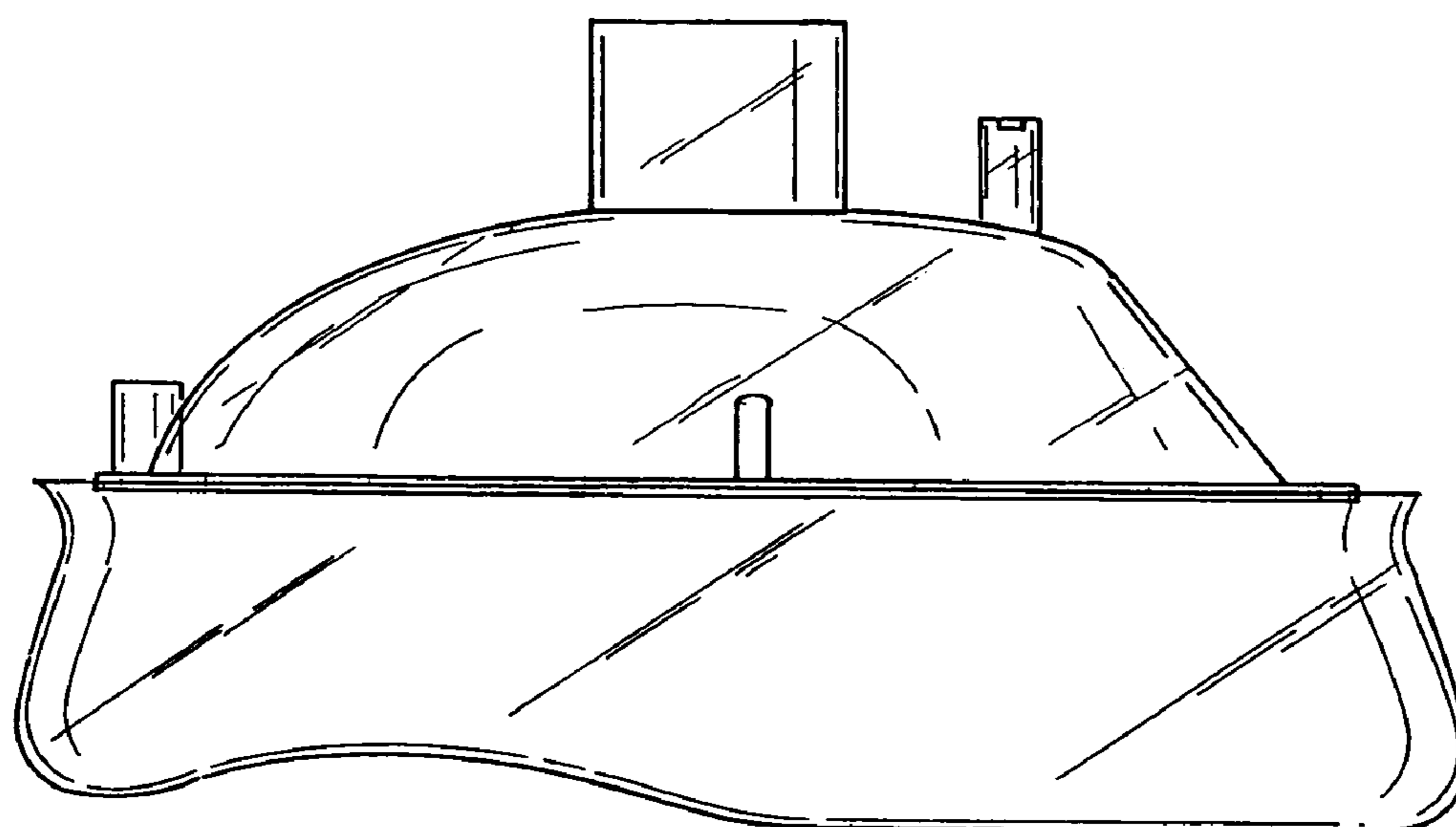
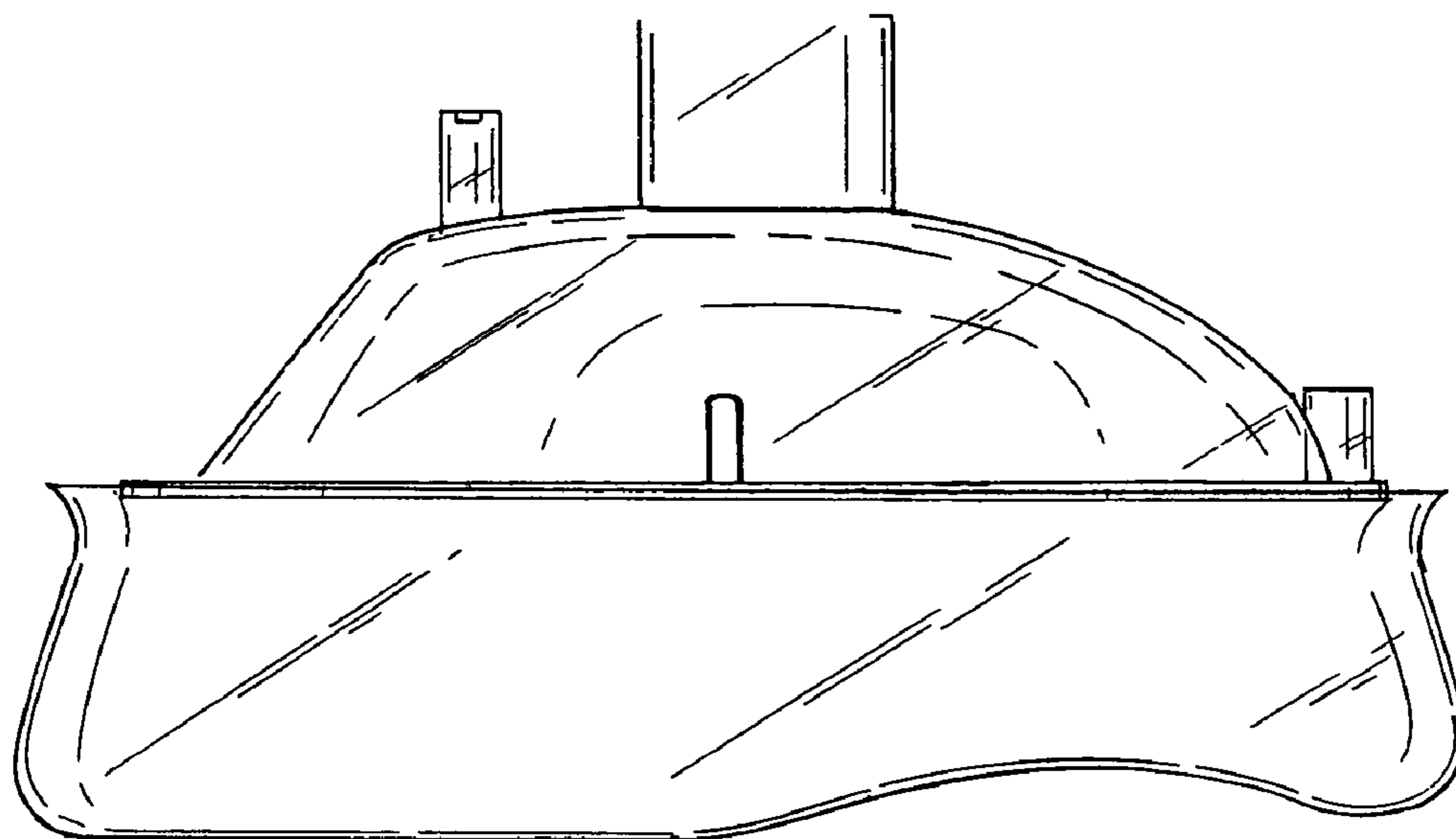


FIG. 6

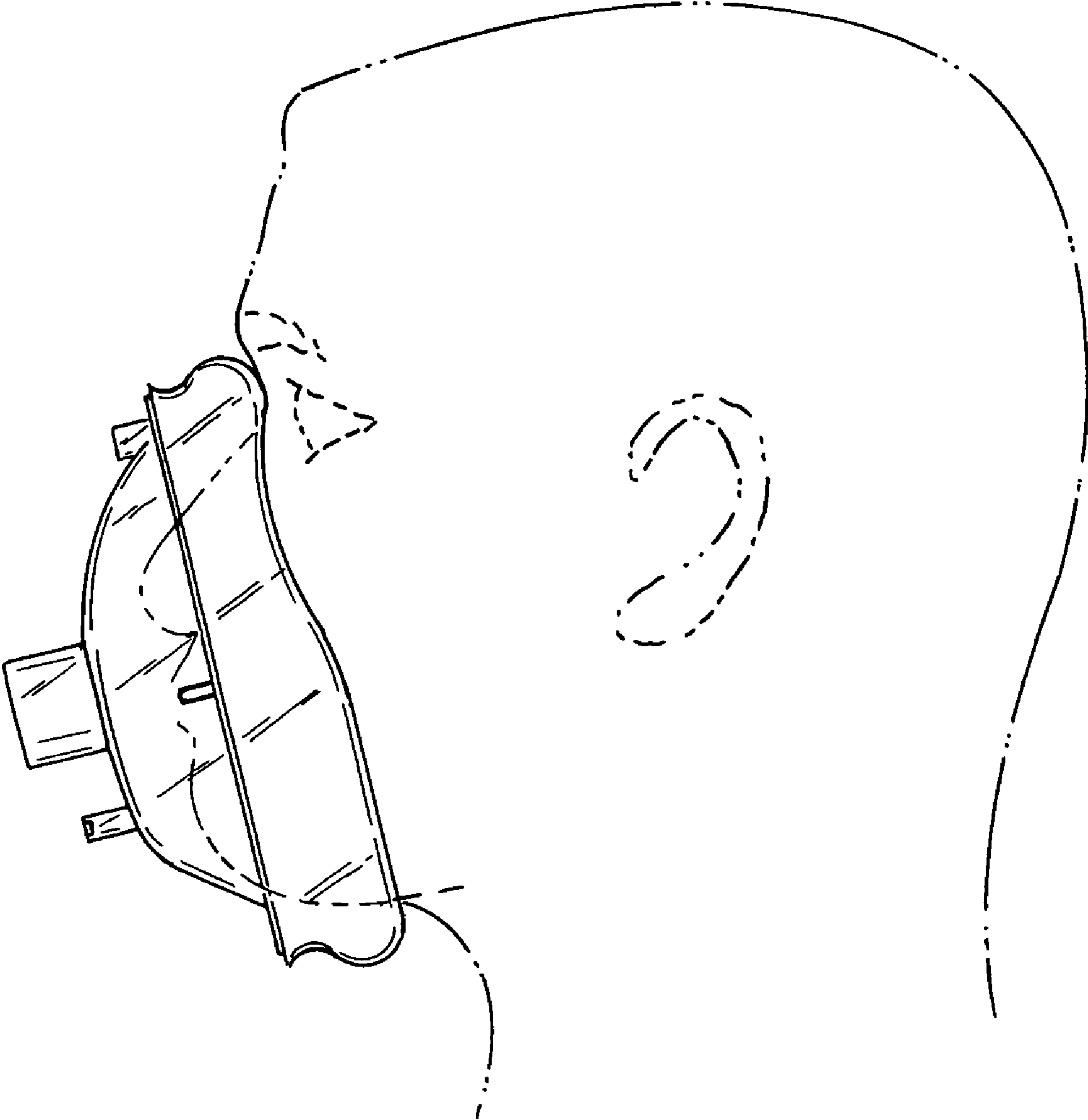


FIG 7