



US00D615642S

(12) **United States Design Patent**
Abe et al.

(10) **Patent No.:** **US D615,642 S**

(45) **Date of Patent:** **** May 11, 2010**

(54) **PLUG FOR USE AT AN END OF A TUBE**

(75) Inventors: **Yuji Abe**, Nishinomiya (JP); **Tomio Yoshino**, Takarazuka (JP)

(73) Assignee: **Sumitomo Metal Industries, Ltd.**, Osaka (JP)

(**) Term: **14 Years**

(21) Appl. No.: **29/351,556**

(22) Filed: **Dec. 8, 2009**

(30) **Foreign Application Priority Data**

Jun. 11, 2009 (JP) 2009-013235

(51) **LOC (9) Cl.** **23-04**

(52) **U.S. Cl.** **D23/386**

(58) **Field of Classification Search** D23/386,
D23/260, 266; 138/89.1, 89.3, 89.4; 15/104.03,
15/104.05, 104.61; D22/108, 199, 117; 102/442,
102/529; 42/95; 299/111, 113; D15/21;
D24/130; 264/250; 428/543; 175/434
See application file for complete search history.

(56) **References Cited**

U.S. PATENT DOCUMENTS

3,356,418 A * 12/1967 Healey et al. 299/113
4,069,535 A * 1/1978 Cato 166/153
4,244,073 A * 1/1981 Sagawa D23/260
4,389,461 A * 6/1983 Scott 428/543
D360,007 S * 7/1995 Farr D22/117
5,702,160 A * 12/1997 Levankovskii et al. 299/111
6,102,486 A * 8/2000 Briese 299/111
D432,230 S * 10/2000 Utas D24/130
D581,952 S * 12/2008 Hall et al. D15/21
D597,637 S * 8/2009 Krohmer et al. D23/266

D601,592 S * 10/2009 Watson et al. D15/21
D604,809 S * 11/2009 Mannella D23/260
2004/0065484 A1 * 4/2004 McAlvain 175/434

* cited by examiner

Primary Examiner—T. Chase Nelson

Assistant Examiner—David G Muller

(74) *Attorney, Agent, or Firm*—Dennis R. Haszko

(57) **CLAIM**

The ornamental design for a plug for use at an end of a tube, as shown and described.

DESCRIPTION

FIG. 1 is a perspective view of the plug for use at an end of a tube;

FIG. 2 is a front view thereof;

FIG. 3 is a plan view thereof;

FIG. 4 is a right side view thereof;

FIG. 5 is a left side view thereof;

FIG. 6 is an enlarged sectional view taken at 6—6 of FIG. 2;

FIG. 7 is an enlarged sectional view taken at 7—7 of FIG. 2;

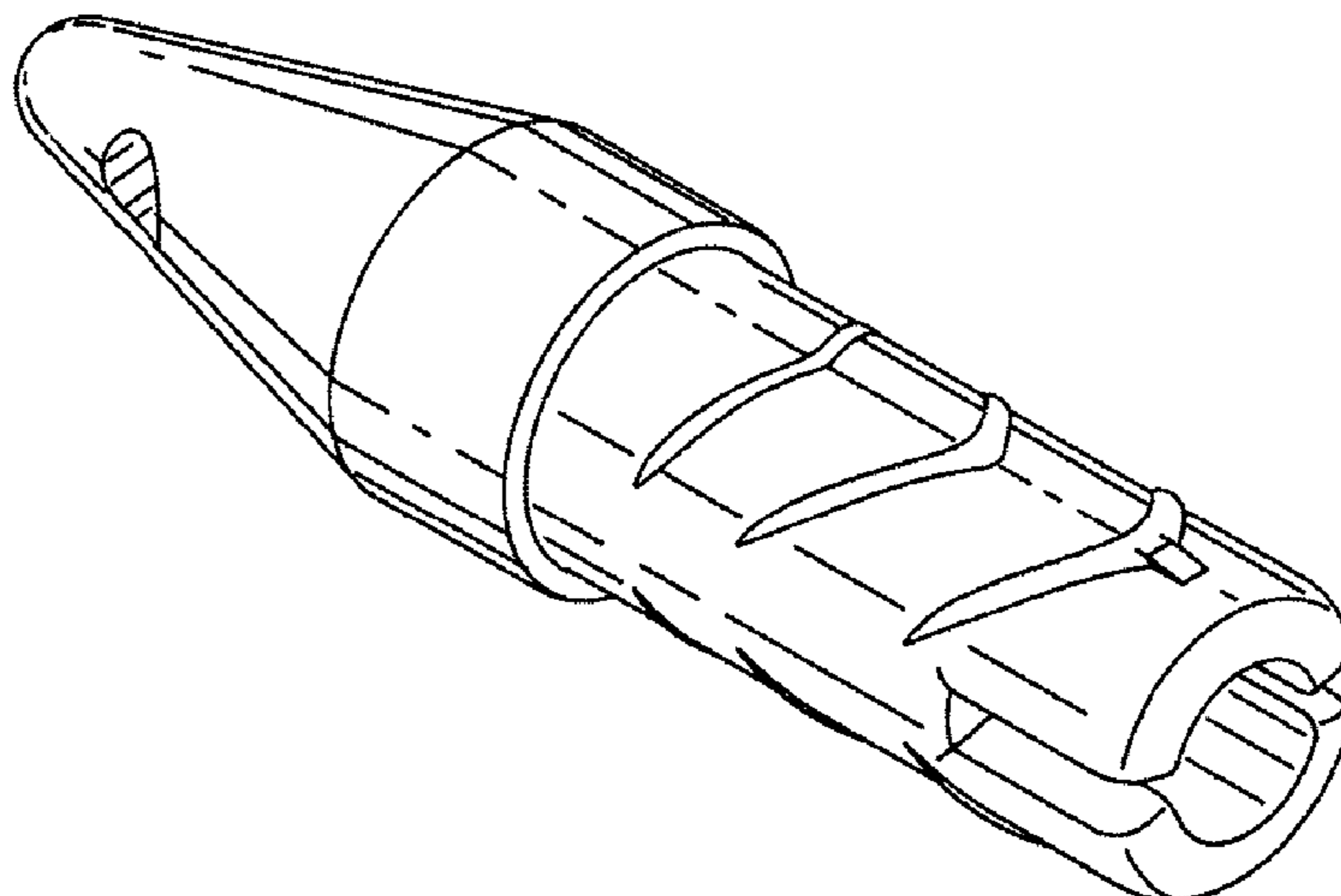
FIG. 8 is an enlarged sectional view taken at 8—8 of FIG. 3;

FIG. 9 is a reference view of the plug for use at an end of a tube together with a heat exchanger pipe for a steam generator; and,

FIG. 10 is a reference view of the plug for use at an end of a tube together with a heat exchanger pipe for a steam generator, a tube support plate, and a tube plate.

The broken line showing of parts of the drawings is included for the purpose of illustrating use and environment and forms no part of the claimed design.

1 Claim, 5 Drawing Sheets



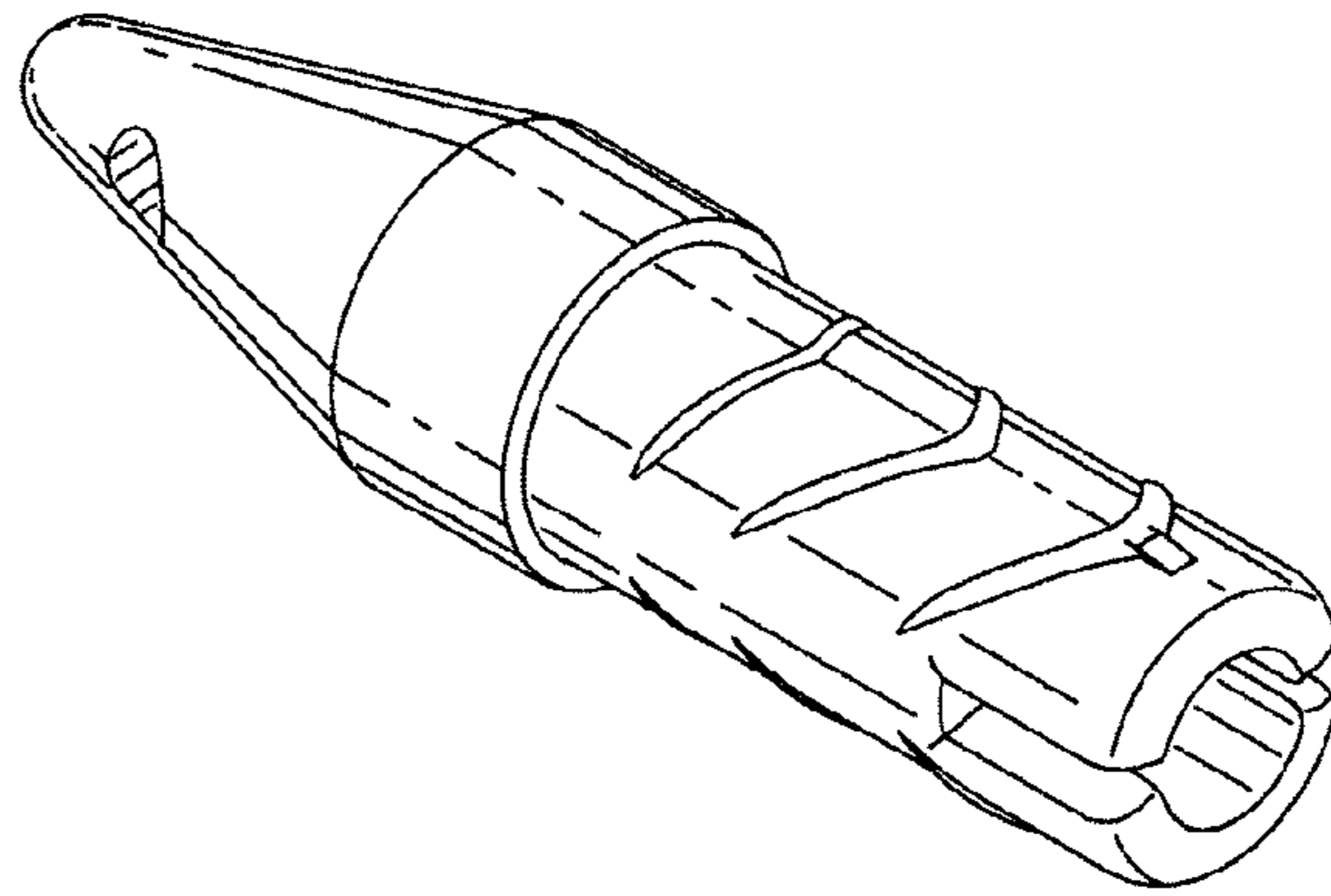


FIG. 1

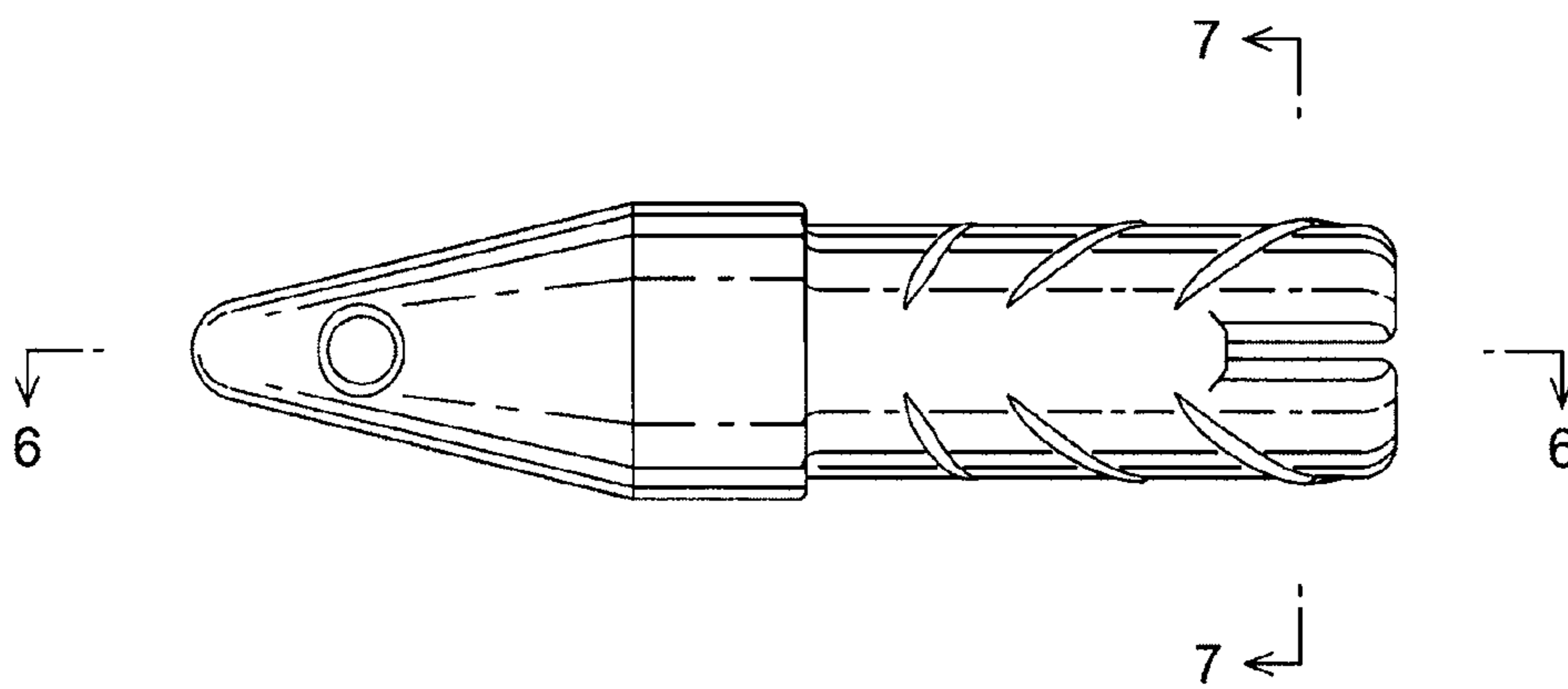


FIG. 2

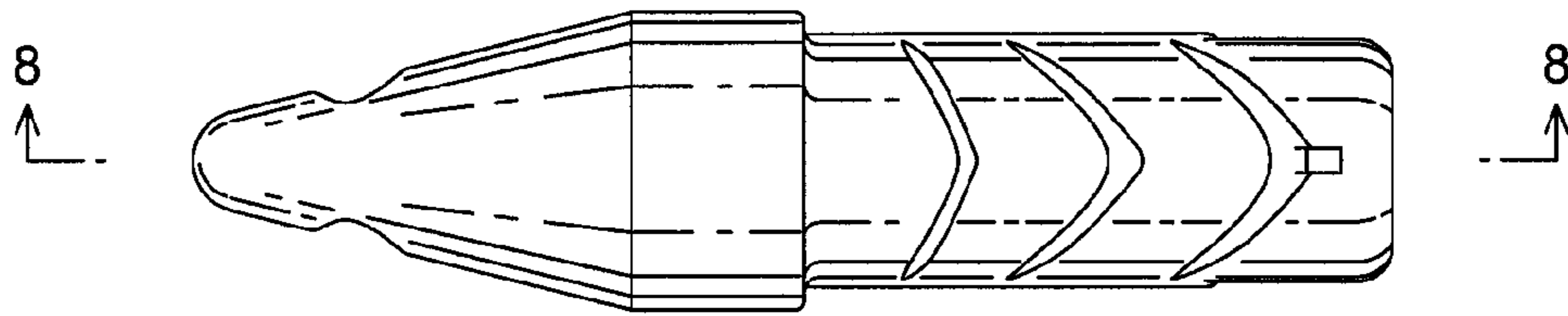


FIG. 3

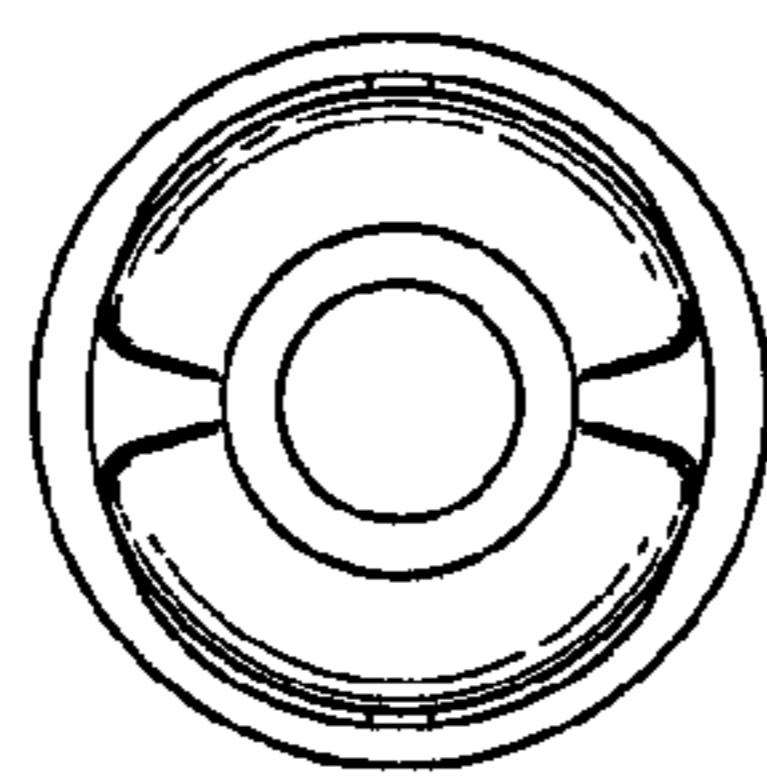


FIG. 4

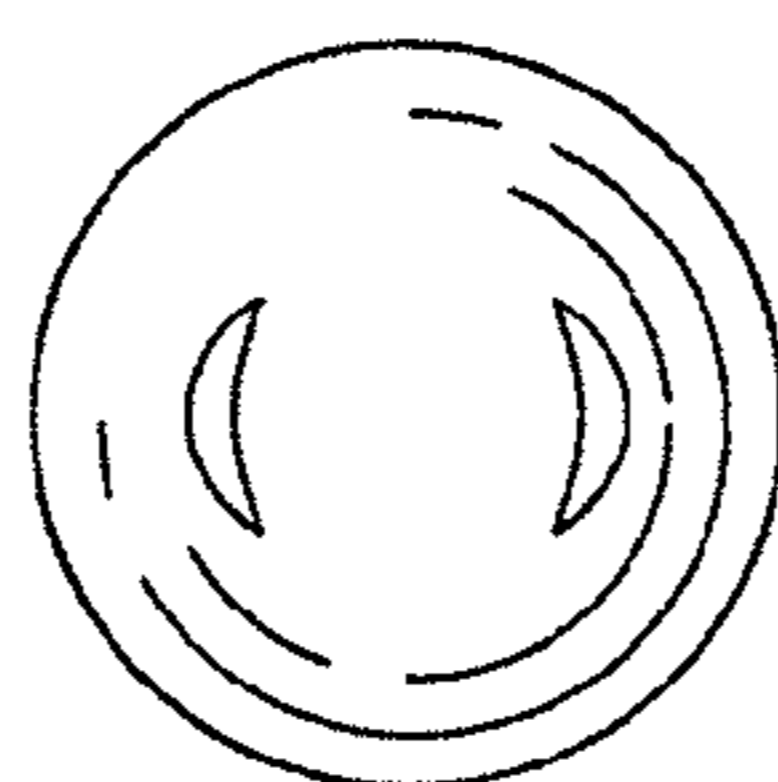


FIG. 5

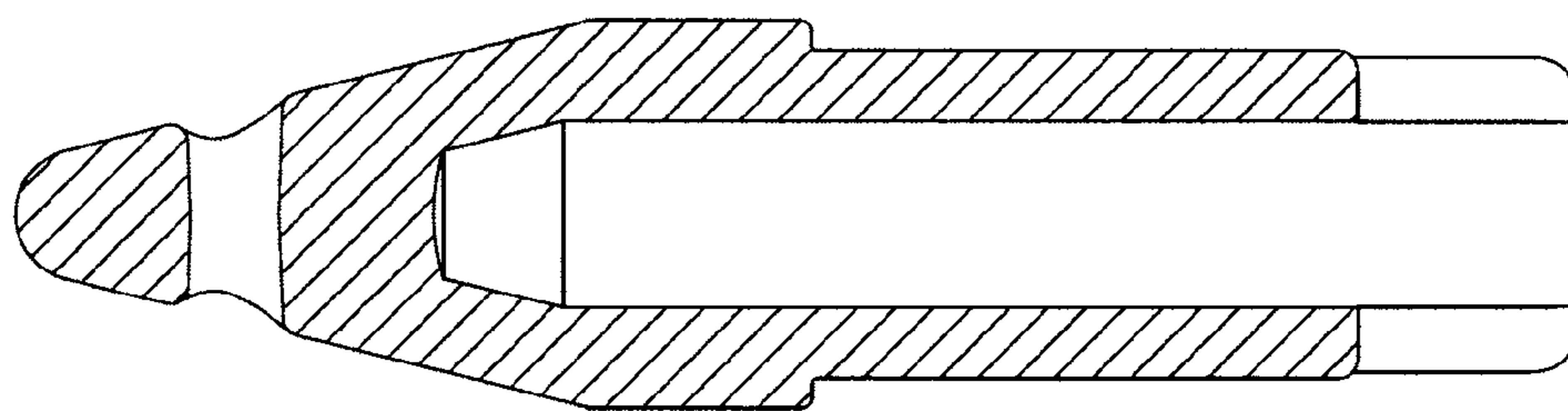


FIG. 6

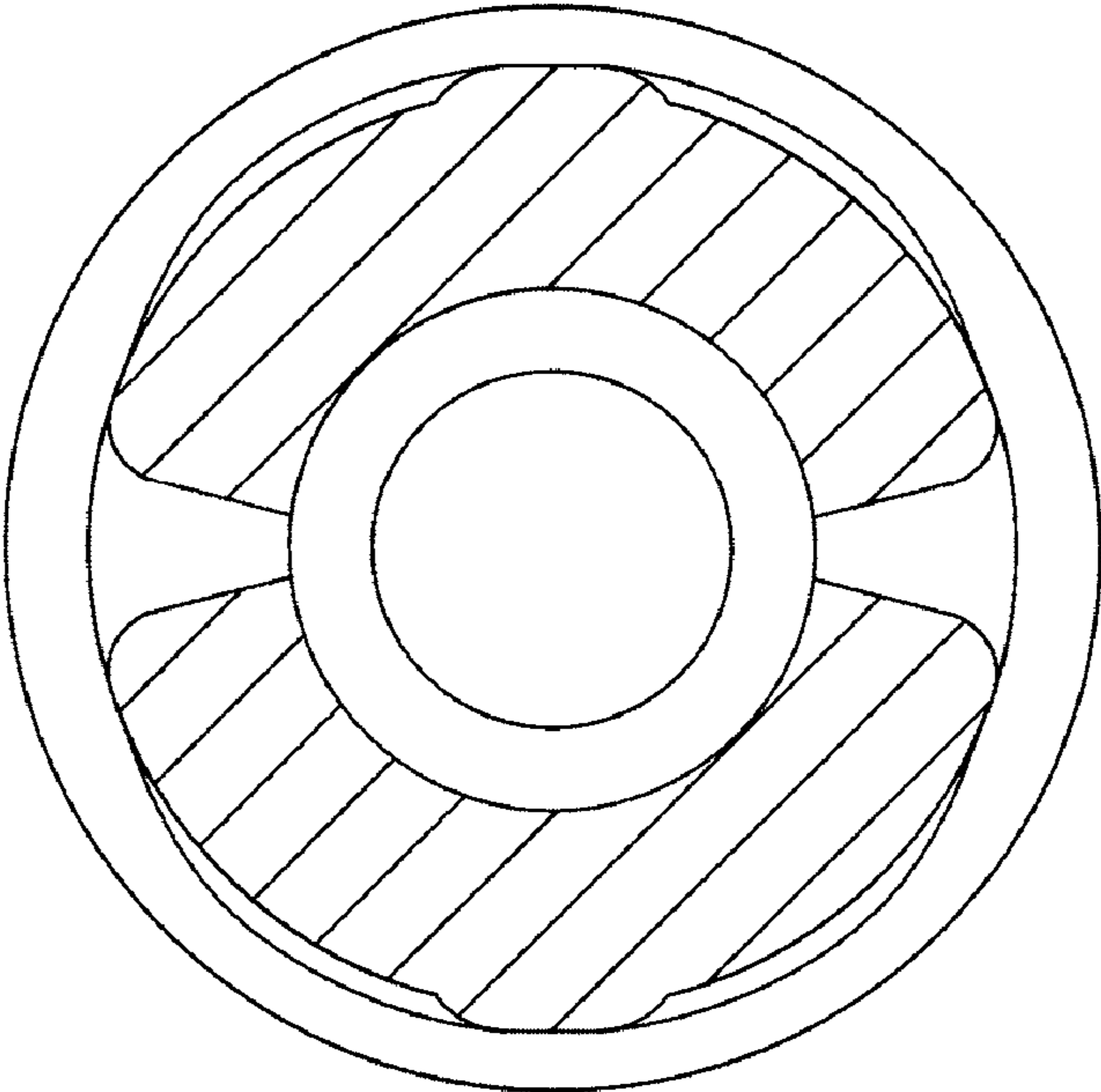


FIG. 7

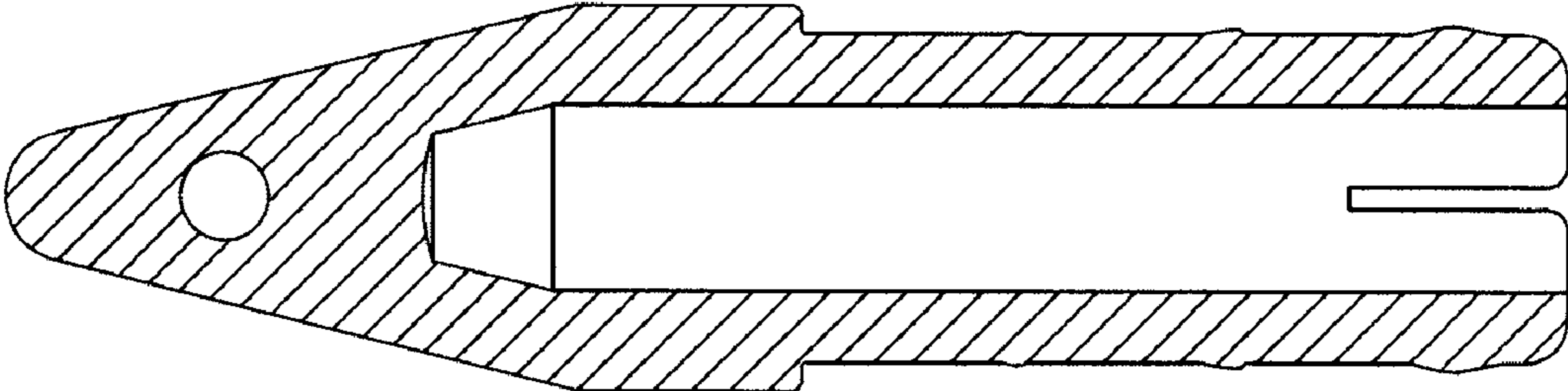


FIG. 8

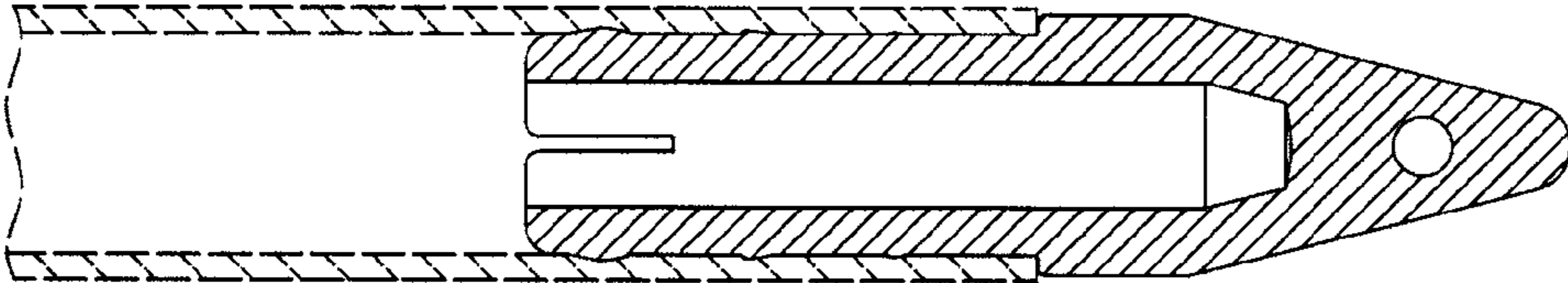


FIG. 9

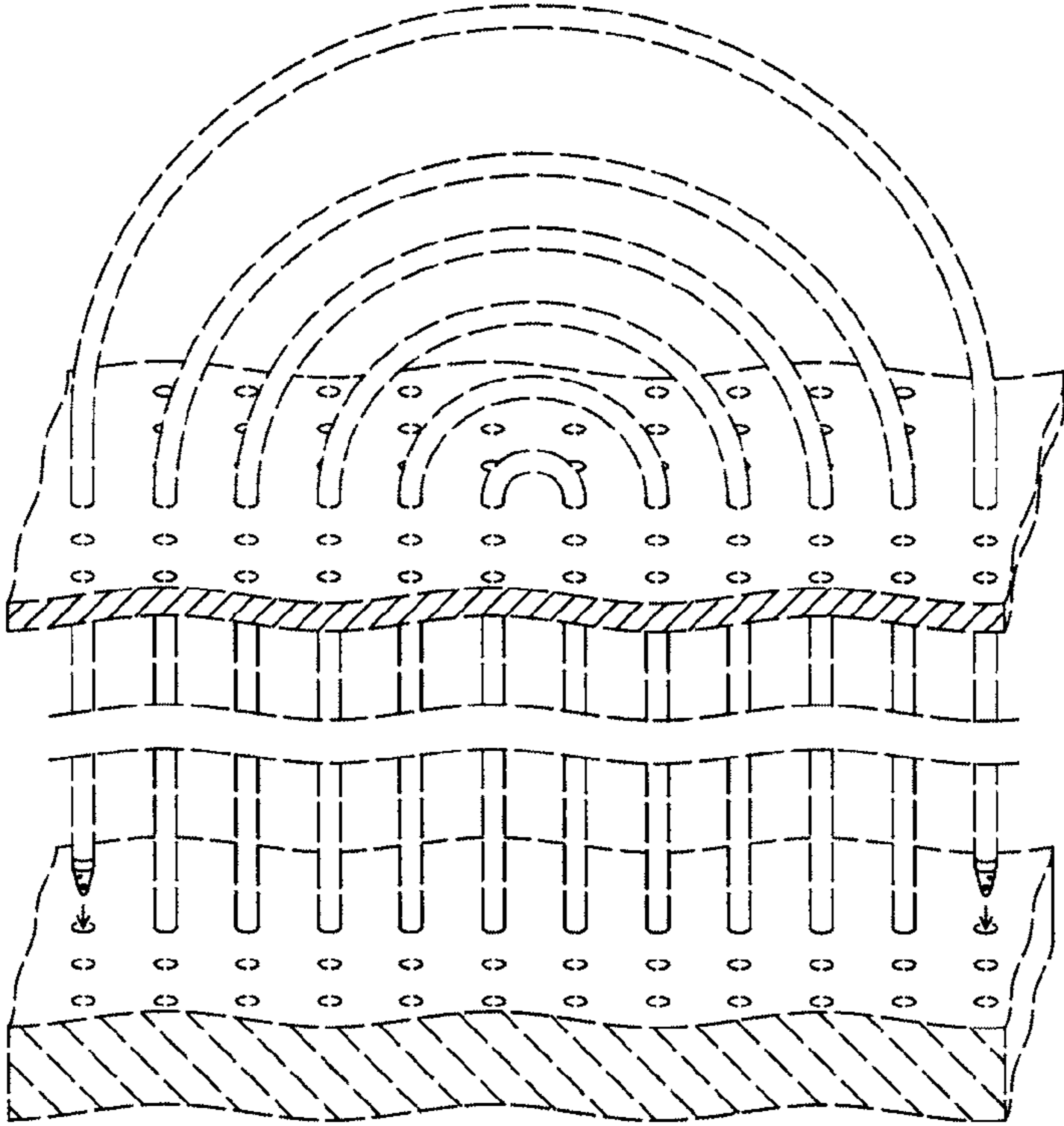


FIG. 10