



US00D615641S

(12) **United States Design Patent**  
**Maegawa et al.**

(10) **Patent No.:** **US D615,641 S**

(45) **Date of Patent:** **\*\* May 11, 2010**

(54) **AIR HEATER**

(75) Inventors: **Katsunori Maegawa**, Nagoya (JP);  
**Tetsuya Higuchi**, Nagoya (JP); **Hiroaki Higashijima**, Nagoya (JP); **Yoshikazu Kubo**, Nagoya (JP)

(73) Assignee: **Rinnai Corporation**, Aichi-ken (JP)

(\*\*) Term: **14 Years**

(21) Appl. No.: **29/344,151**

(22) Filed: **Sep. 24, 2009**

(51) **LOC (9) Cl.** ..... **23-03**

(52) **U.S. Cl.** ..... **D23/342**

(58) **Field of Classification Search** ..... D23/314,  
D23/332, 335-350, 378, 370, 381, 354, 351,  
D23/386, 333, 328, 353, 361, 385, 417, 357,  
D23/334, 355, 366; 392/365, 367, 424, 383,  
392/411, 360, 369, 373-376; 126/183, 110 B,  
126/91 A, 92 A, 500, 544, 547; 431/125;  
D99/29

See application file for complete search history.

(56) **References Cited**

**U.S. PATENT DOCUMENTS**

D503,219 S *	3/2005	Giugiaro	.....	D23/328
D505,997 S *	6/2005	Maegawa	.....	D23/332
D530,236 S *	10/2006	Maegawa	.....	D10/111
D595,821 S *	7/2009	Buron	.....	D23/316
D598,528 S *	8/2009	Choi et al.	.....	D23/359
D604,401 S *	11/2009	Chun et al.	.....	D23/359

\* cited by examiner

*Primary Examiner*—T. Chase Nelson  
*Assistant Examiner*—Ania K Dworzecka  
(74) *Attorney, Agent, or Firm*—Turocy & Watson, LLP

(57) **CLAIM**

The ornamental design of an air heater, as shown and described.

**DESCRIPTION**

FIG. 1 is a front elevation view of an air heater showing my new design;

FIG. 2 is a rear elevation view thereof;

FIG. 3 is a left side elevation view thereof;

FIG. 4 is a right side elevation view thereof;

FIG. 5 is a top plan view thereof;

FIG. 6 is a bottom plan view thereof;

FIG. 7 is an A—A cross section view of FIG. 6;

FIG. 8 is a perspective view thereof;

FIG. 9 is an enlarged view of FIG. 5;

FIG. 10 is a front elevation view showing another embodiment of my new design;

FIG. 11 is a rear elevation view thereof;

FIG. 12 is a left side elevation view thereof;

FIG. 13 is a right side elevation view thereof;

FIG. 14 is a top plan view thereof;

FIG. 15 is a bottom plan view thereof

FIG. 16 is an A—A cross section view of FIG. 15;

FIG. 17 is a perspective view thereof; and,

FIG. 18 is an enlarged view of FIG. 14.

**1 Claim, 18 Drawing Sheets**

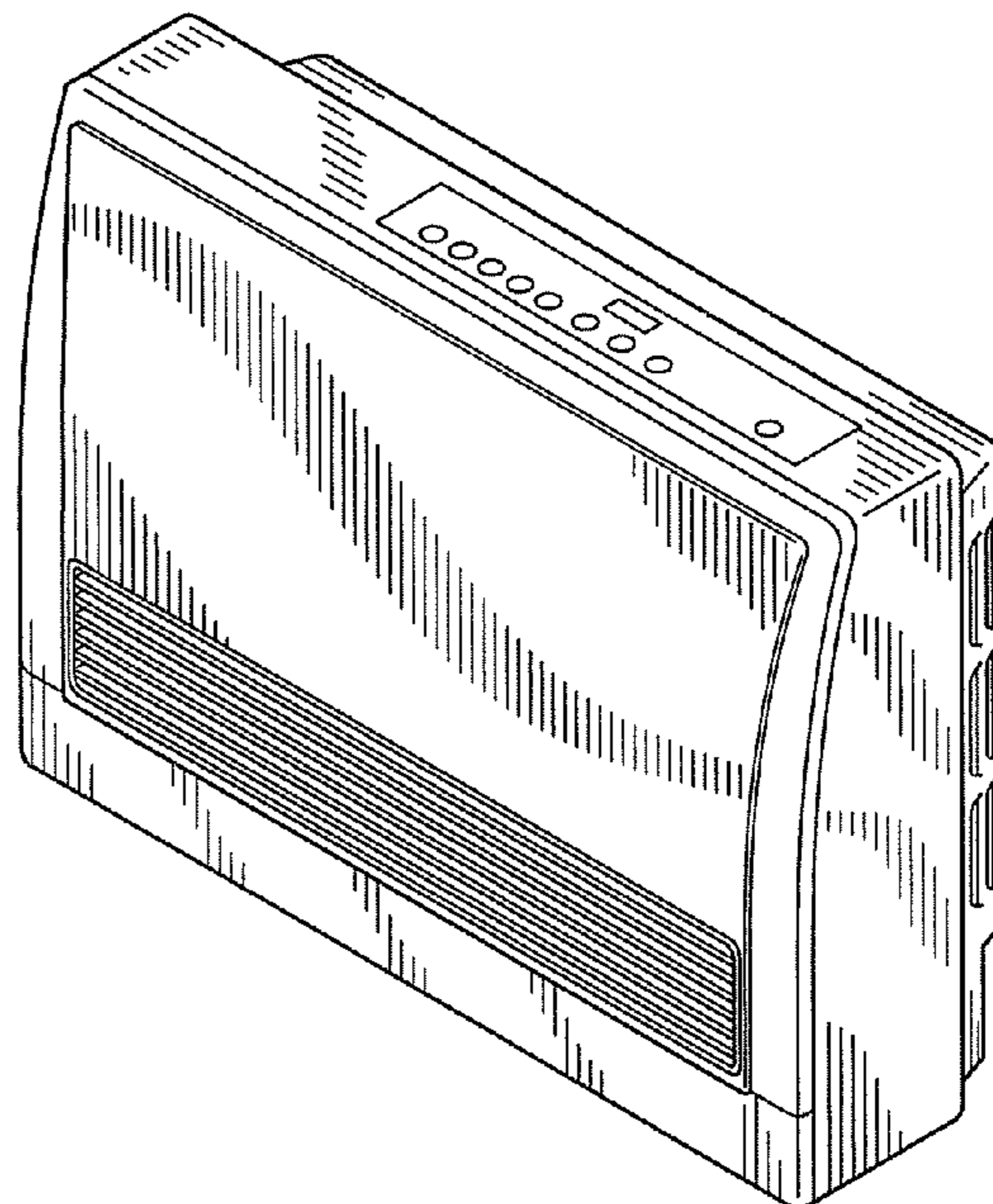
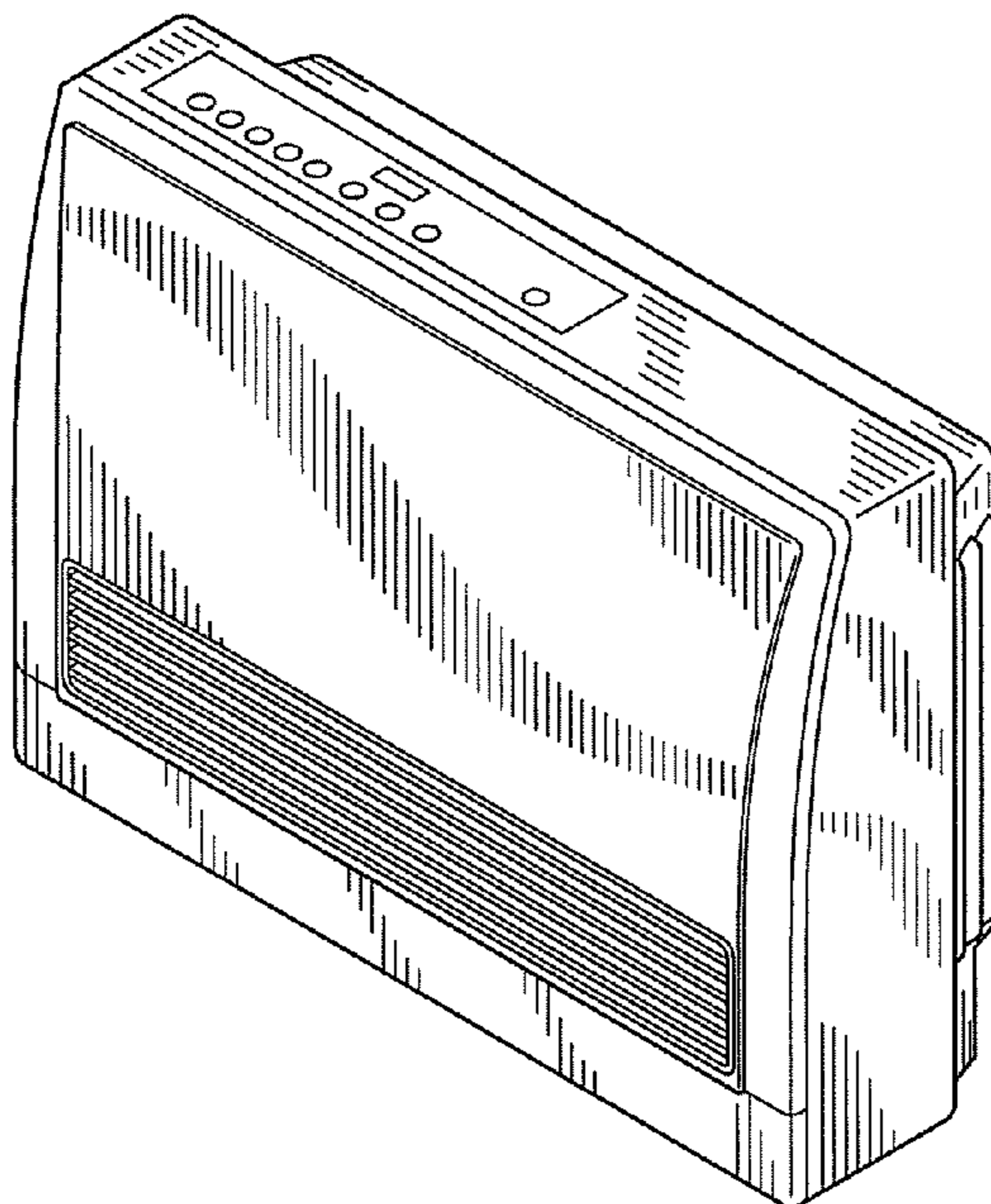


Fig. 1

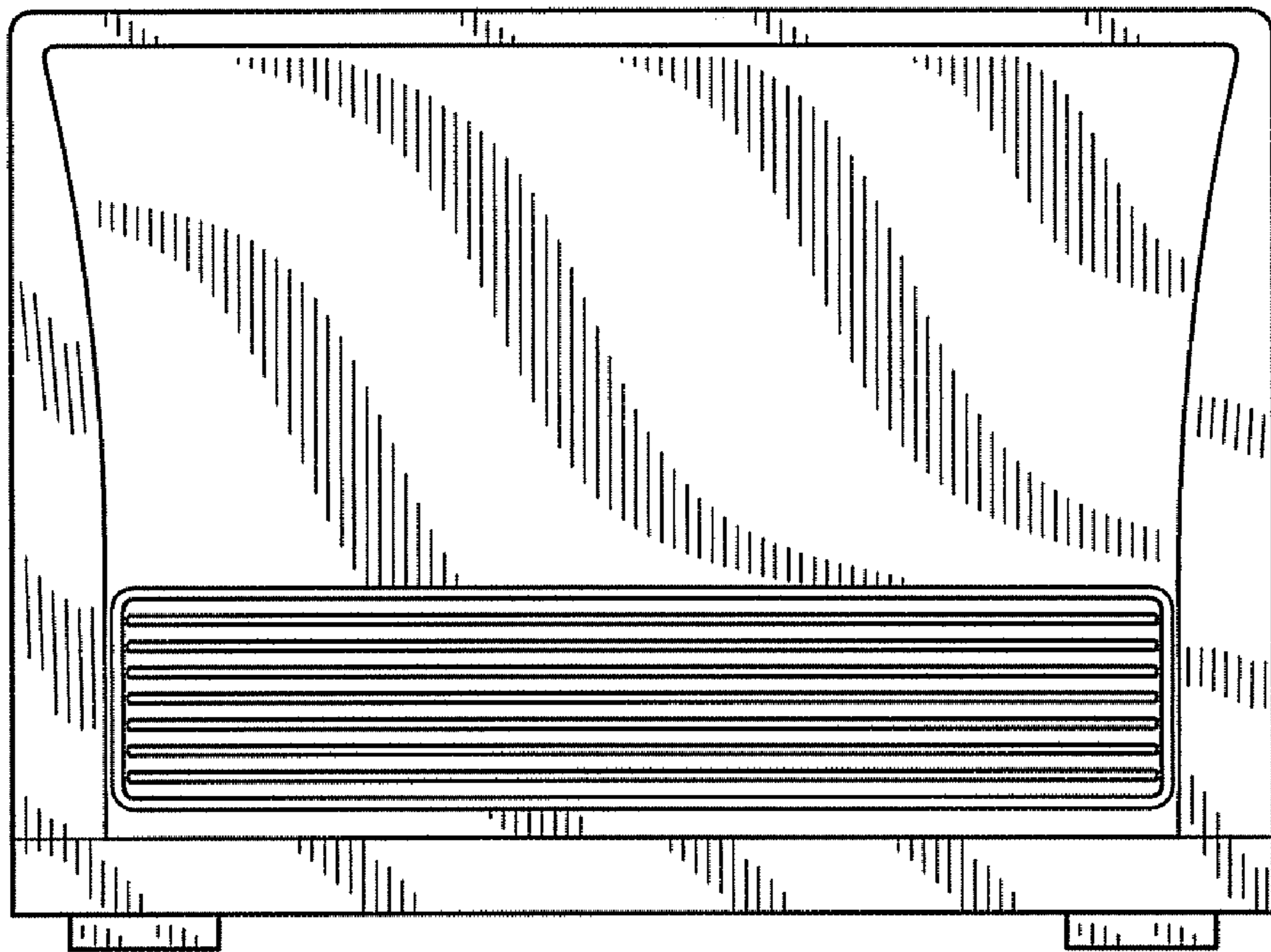


Fig. 2

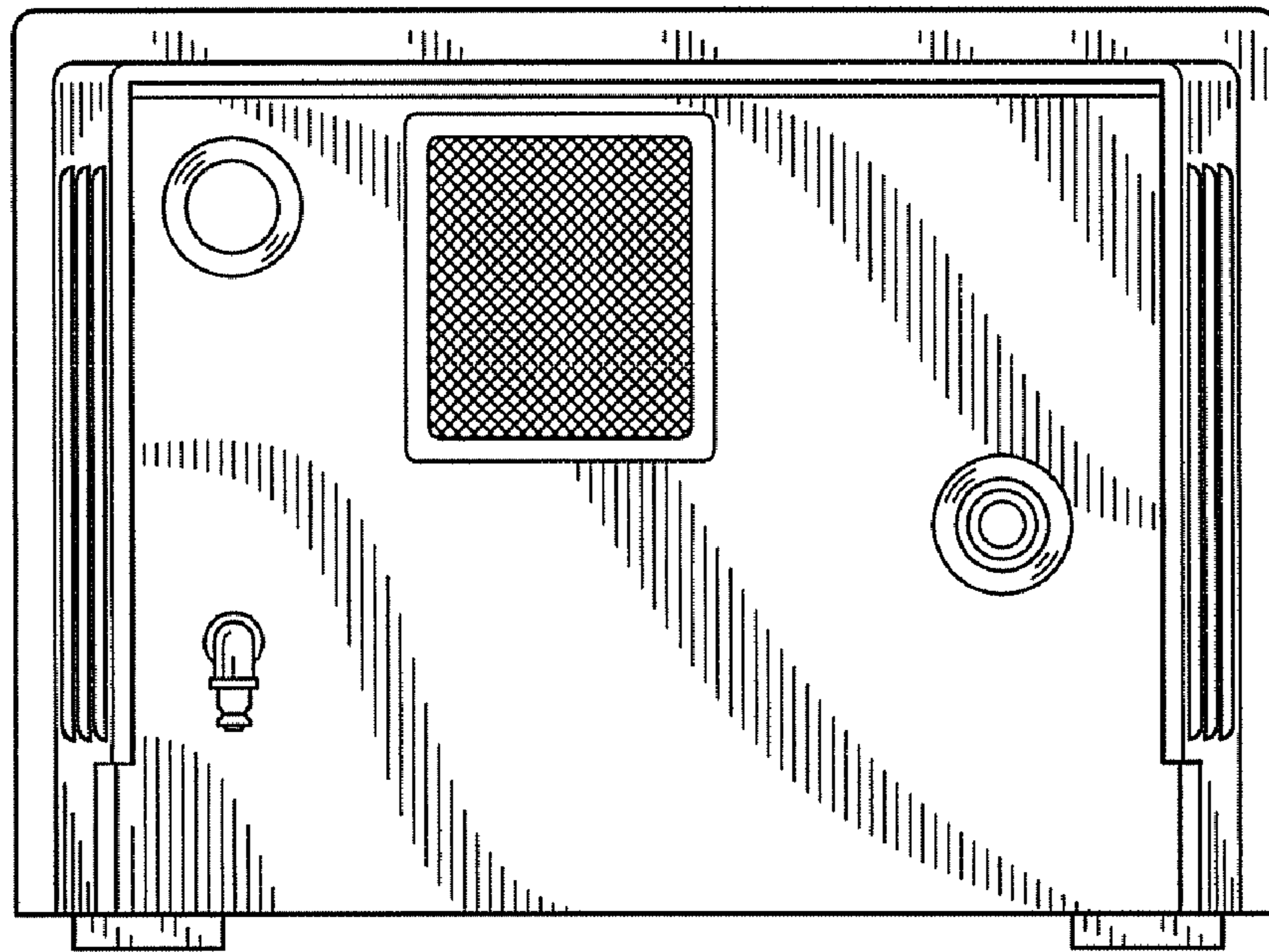


Fig. 3

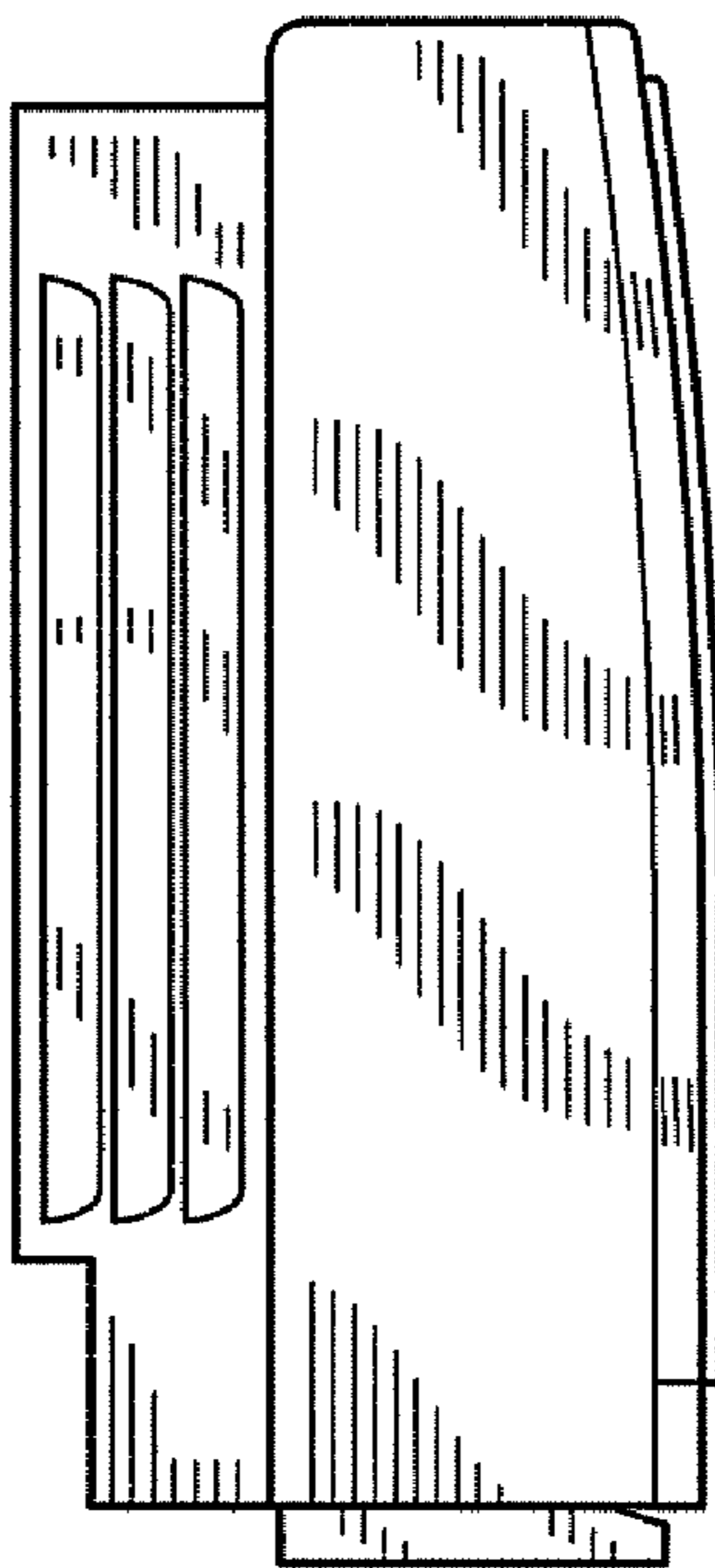


Fig. 4

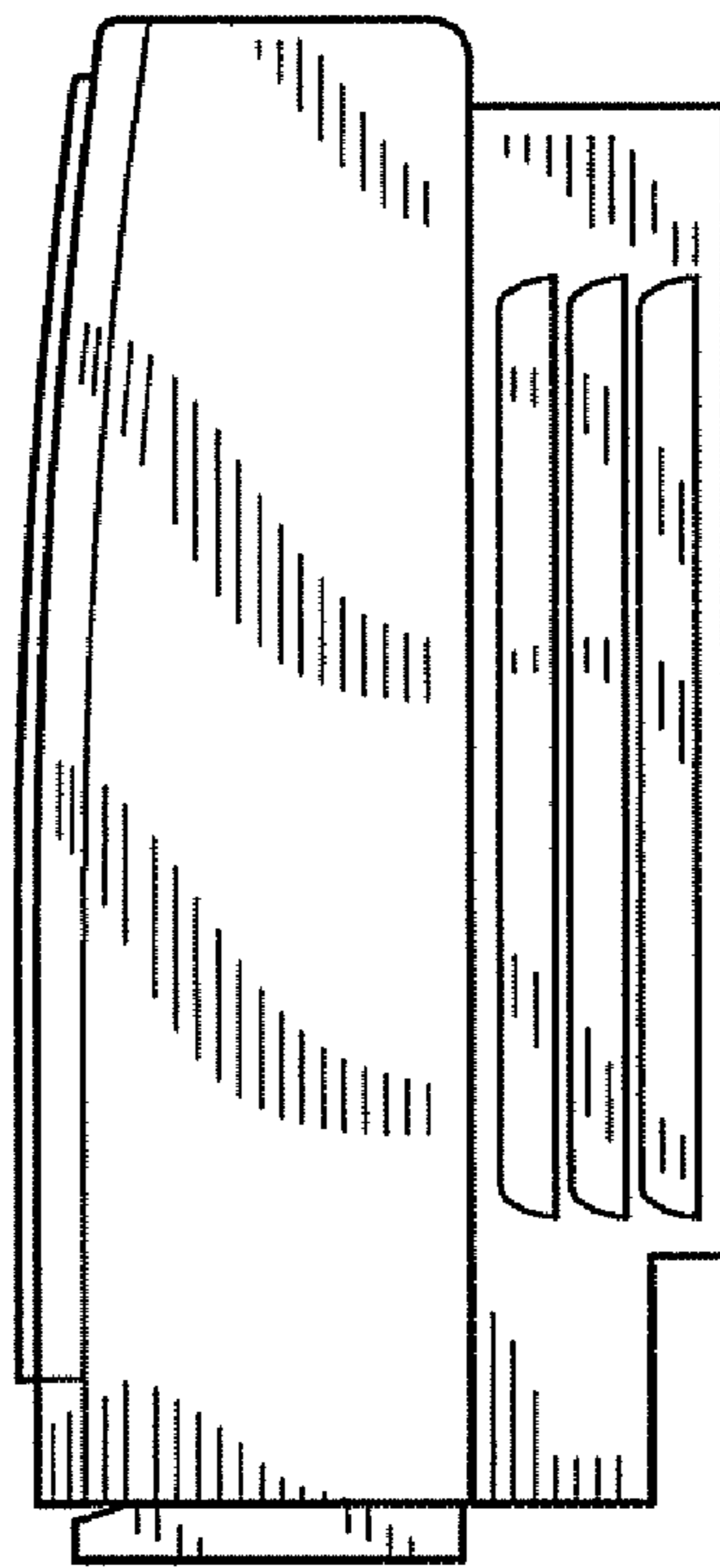


Fig. 5

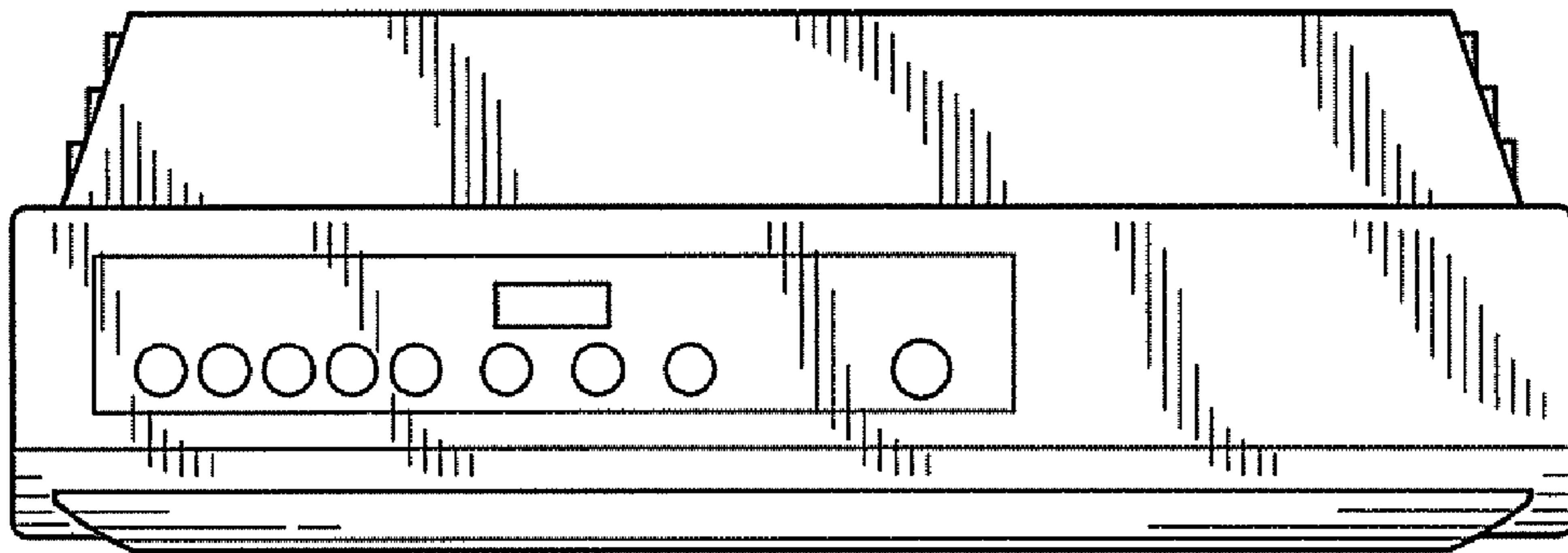


Fig. 6

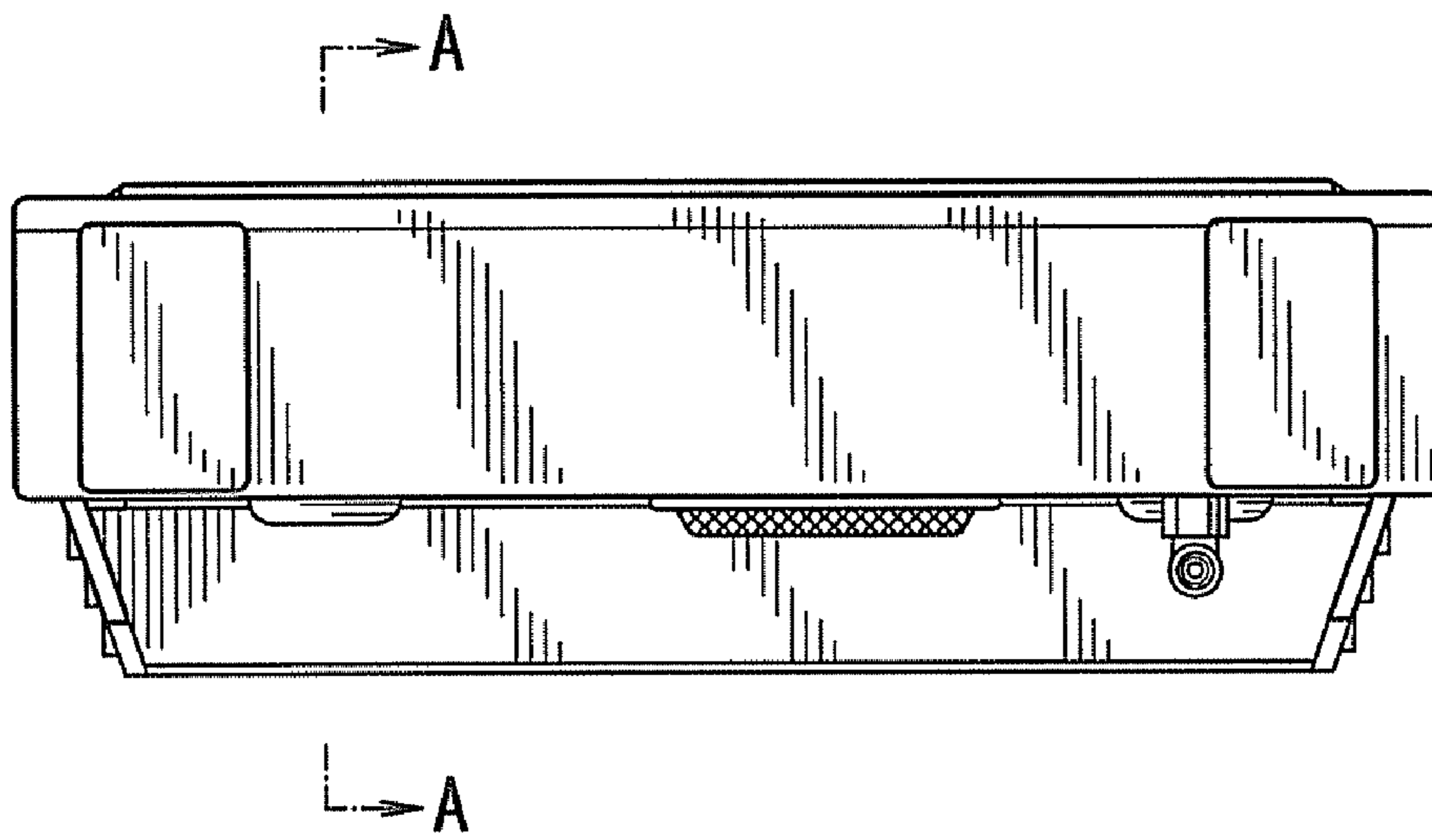


Fig. 7

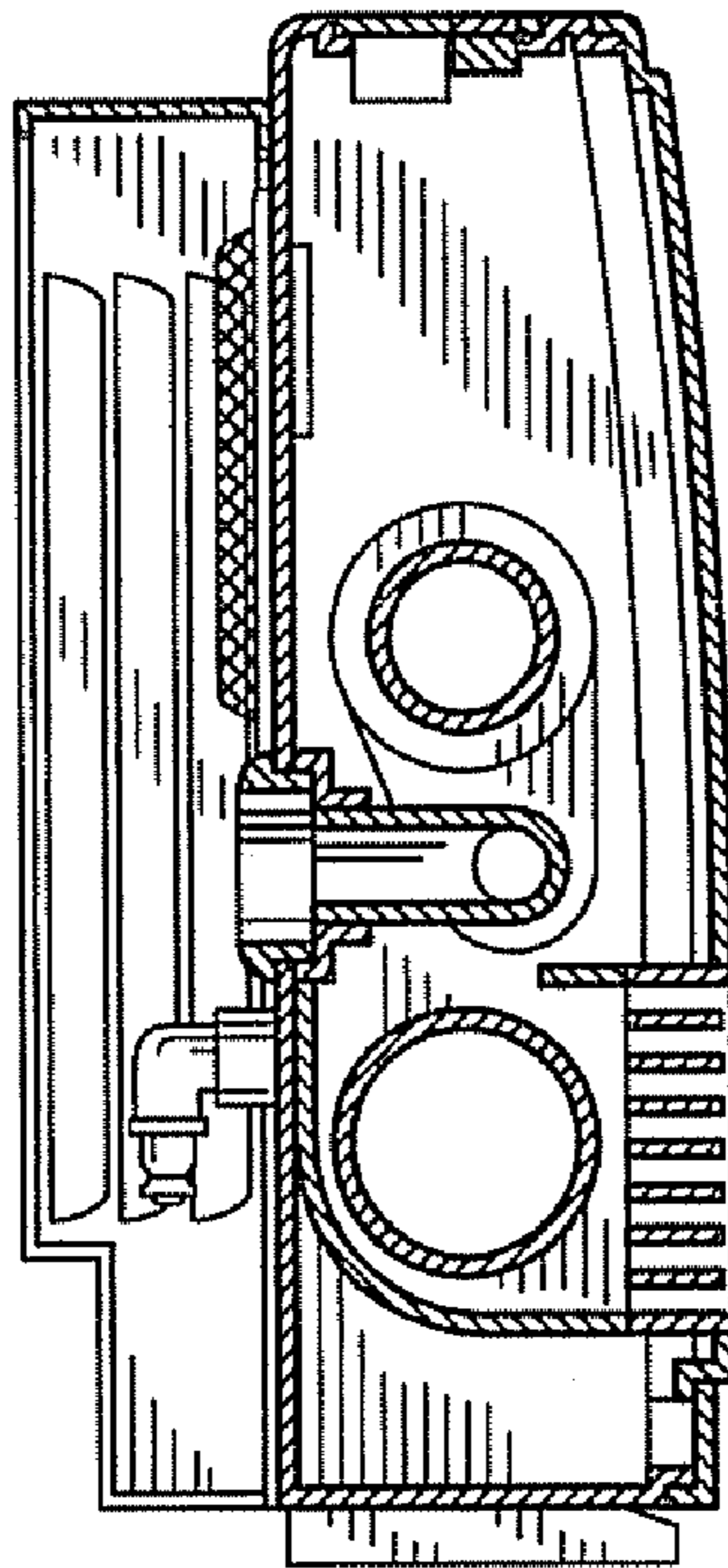




Fig. 8

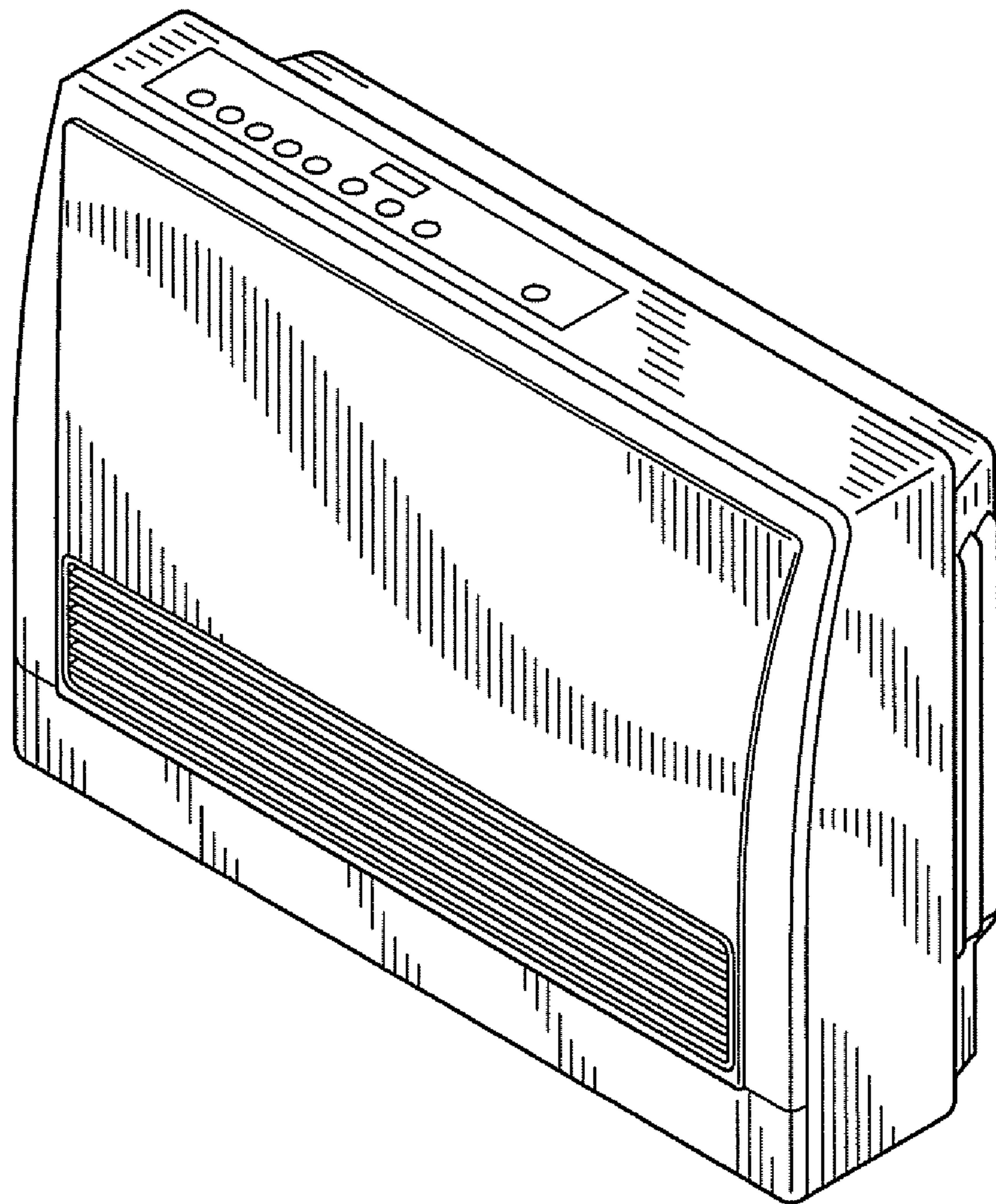


Fig. 9

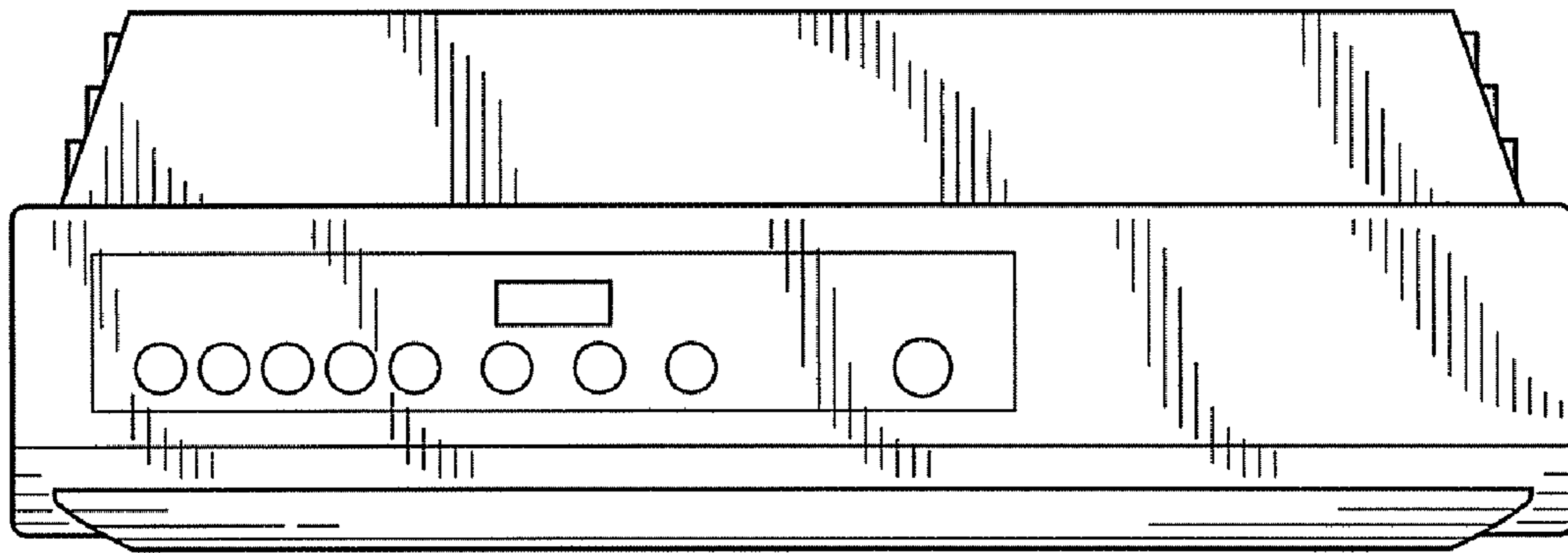


Fig. 10

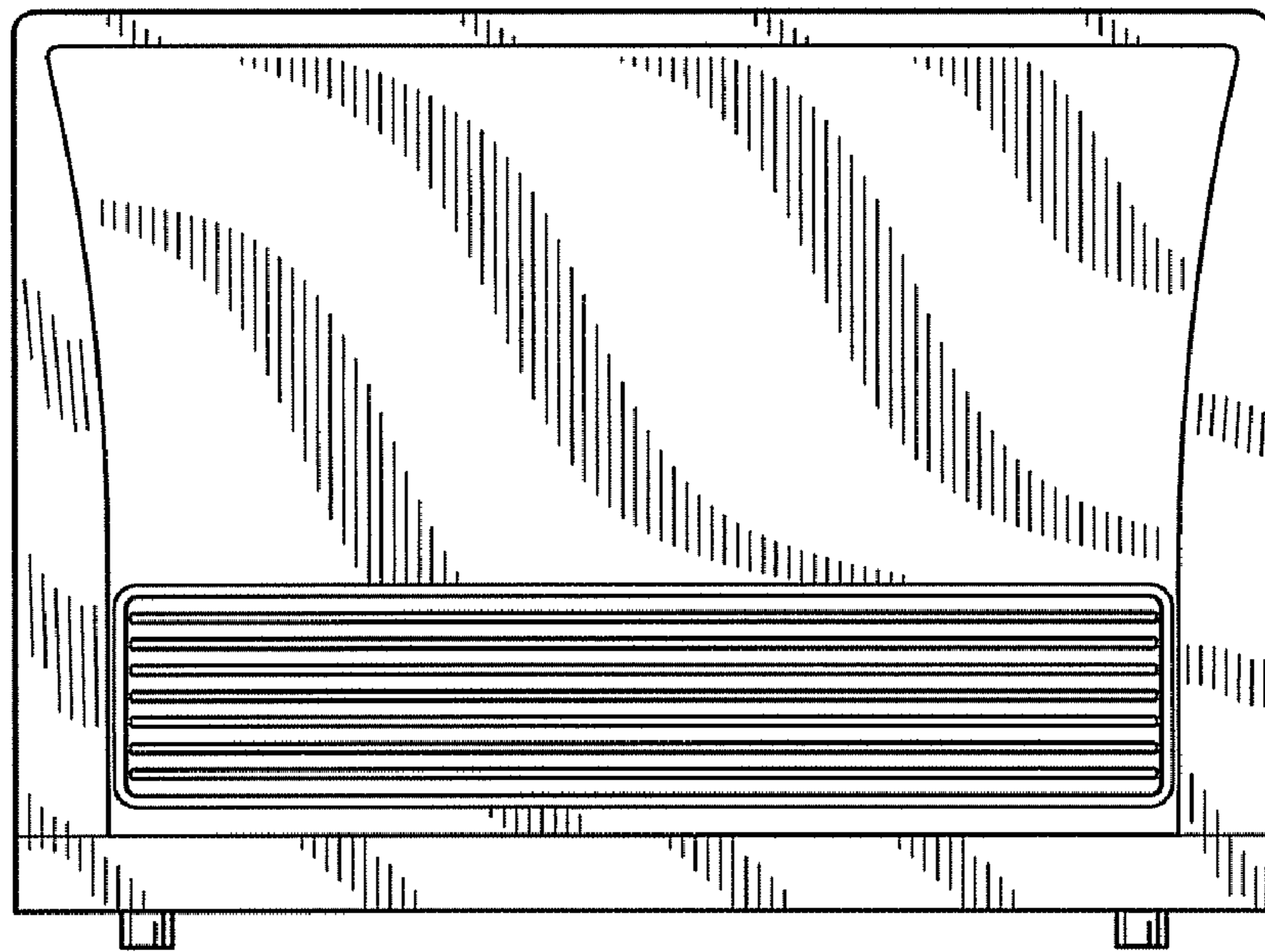


Fig. 11

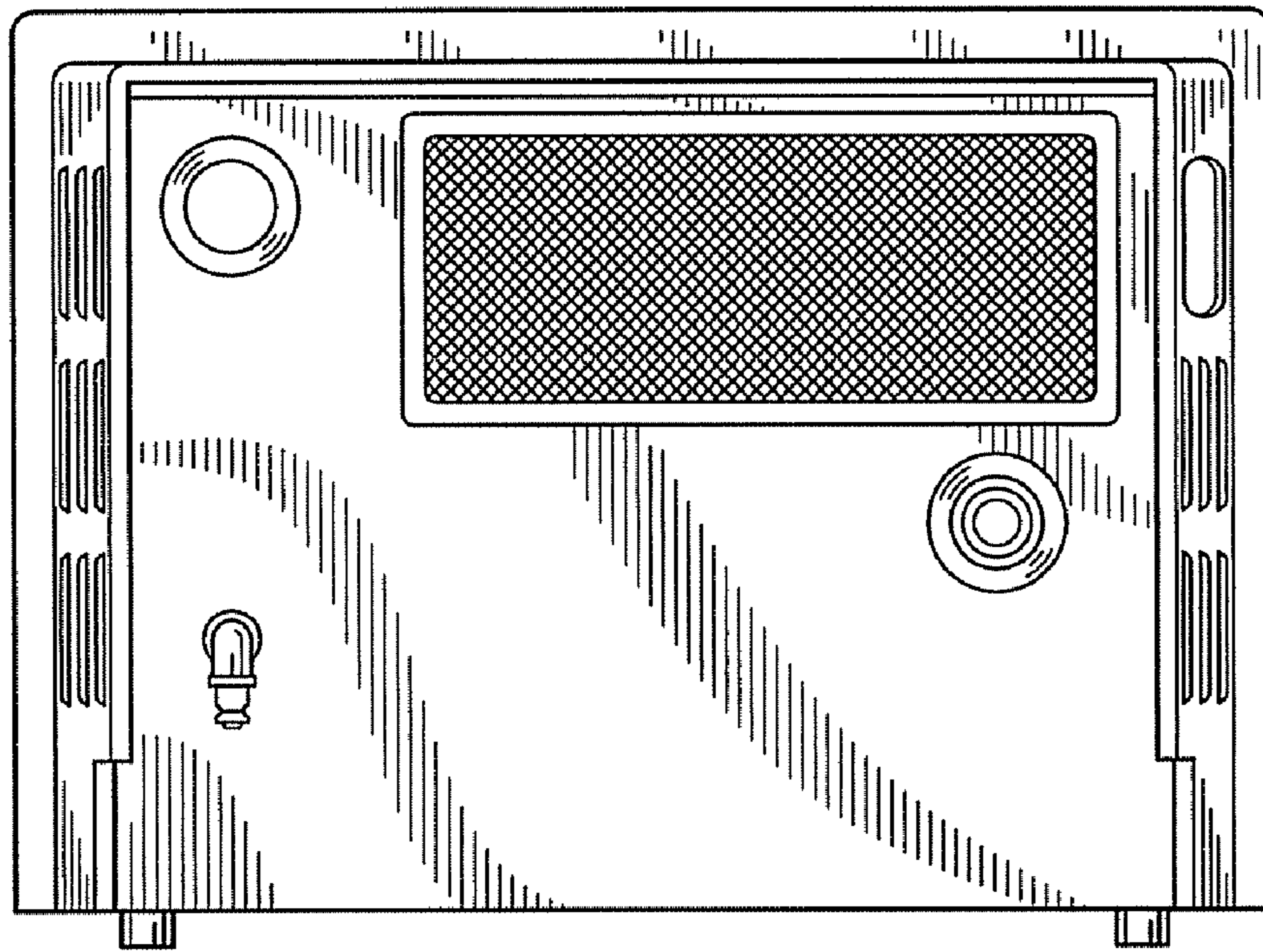


Fig. 12

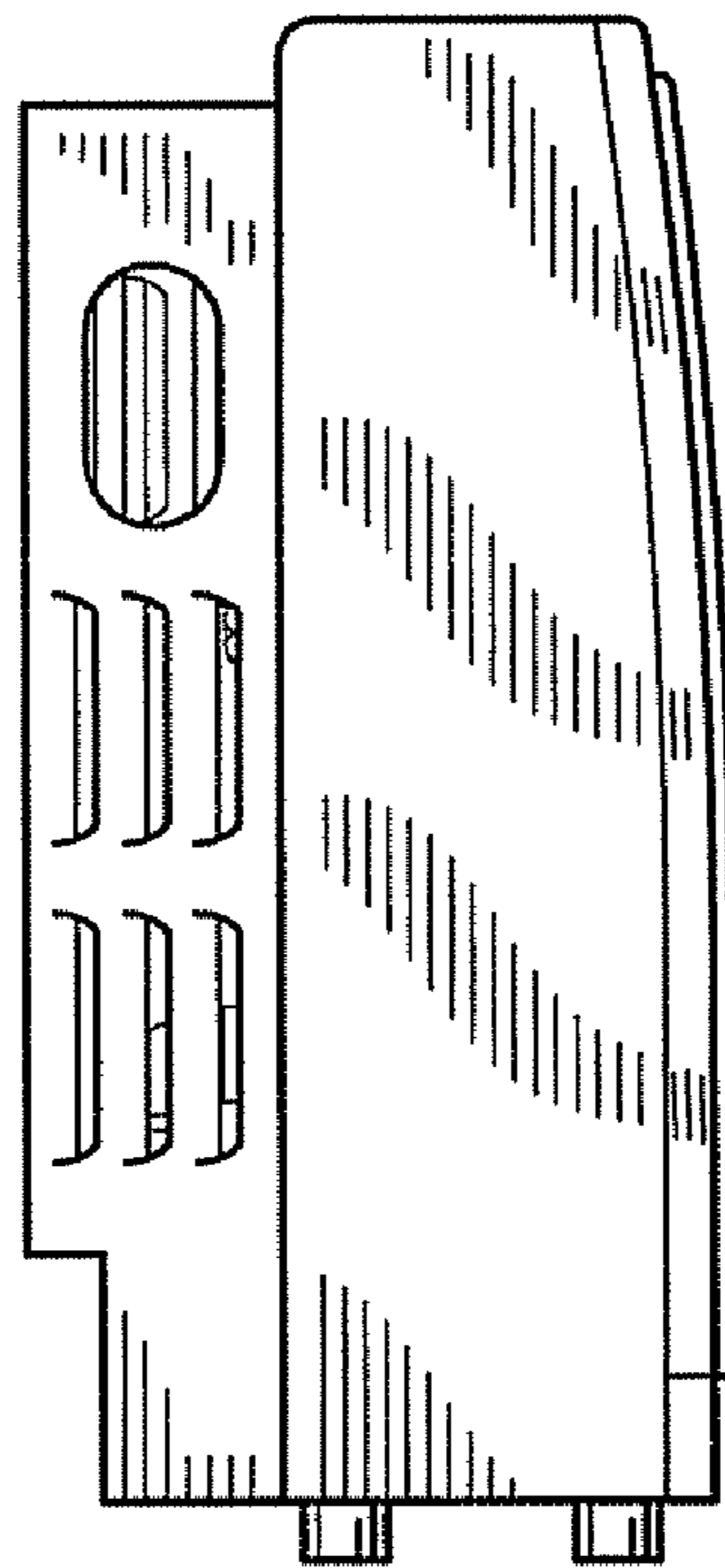


Fig. 13

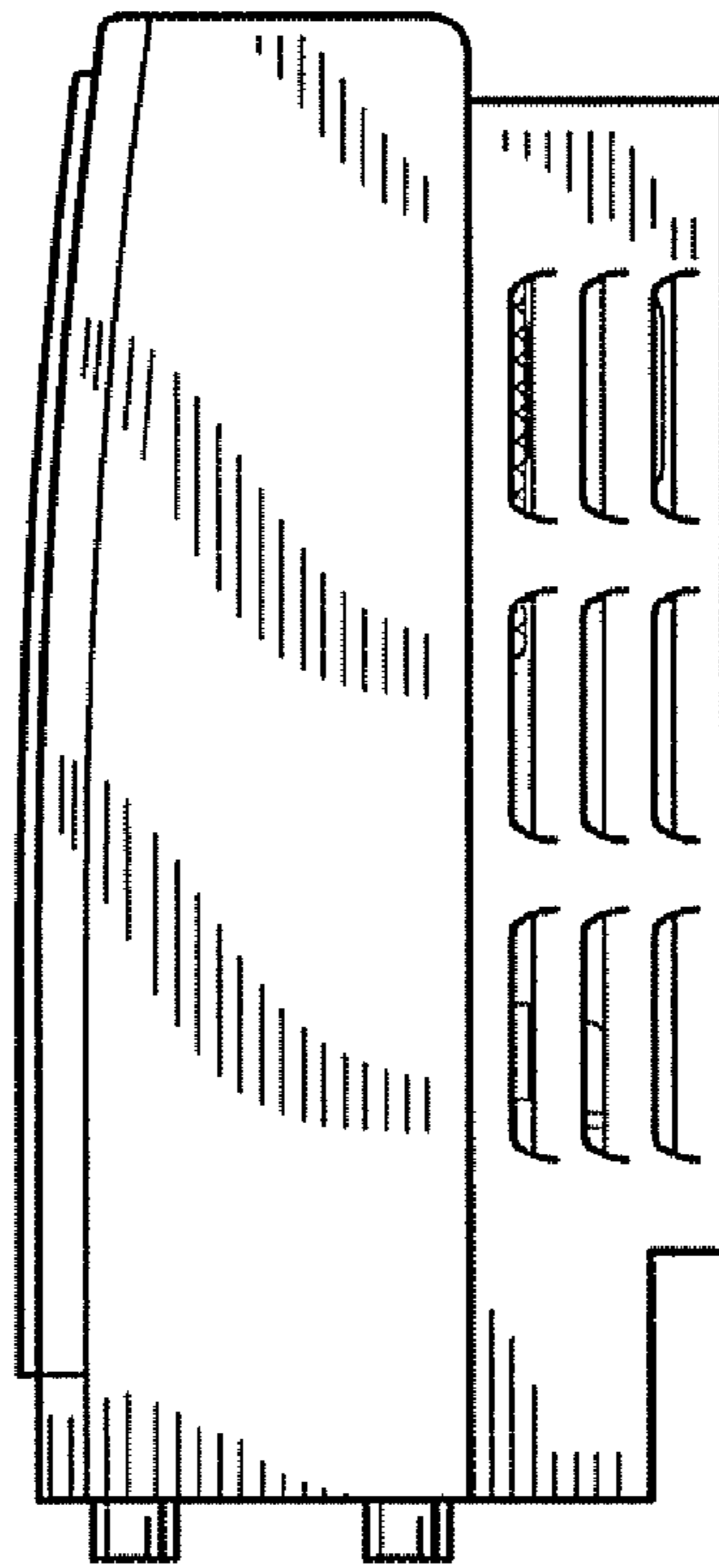


Fig. 14

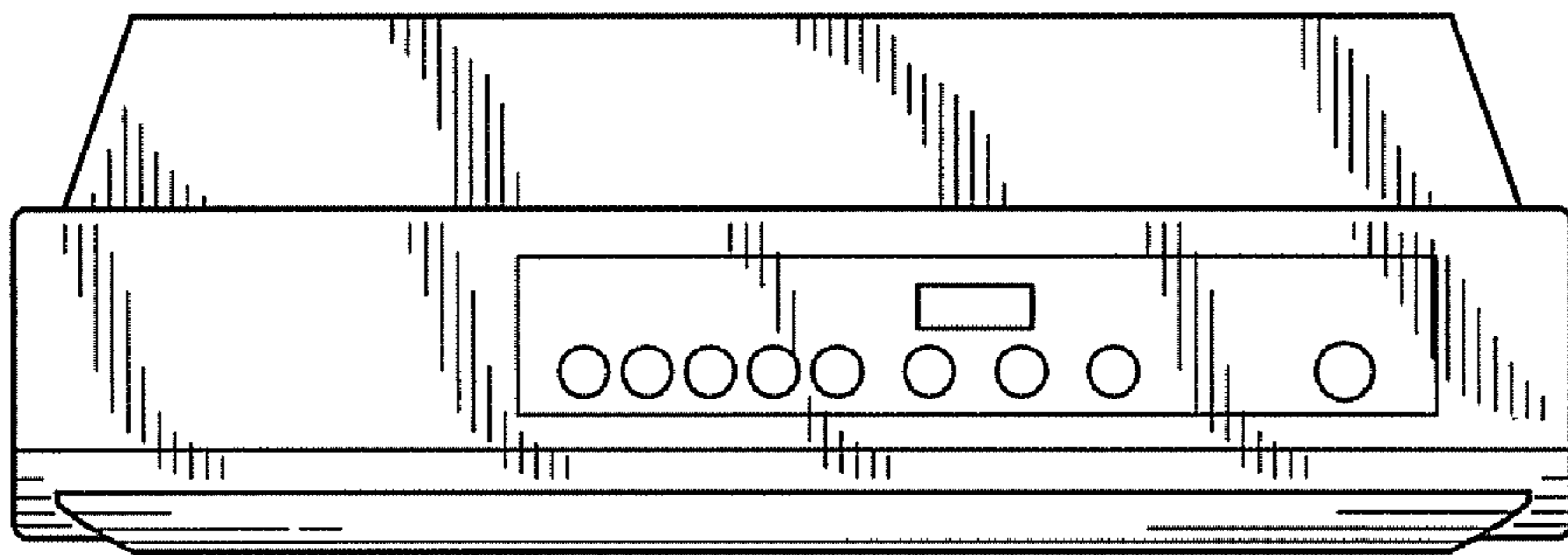


Fig. 15

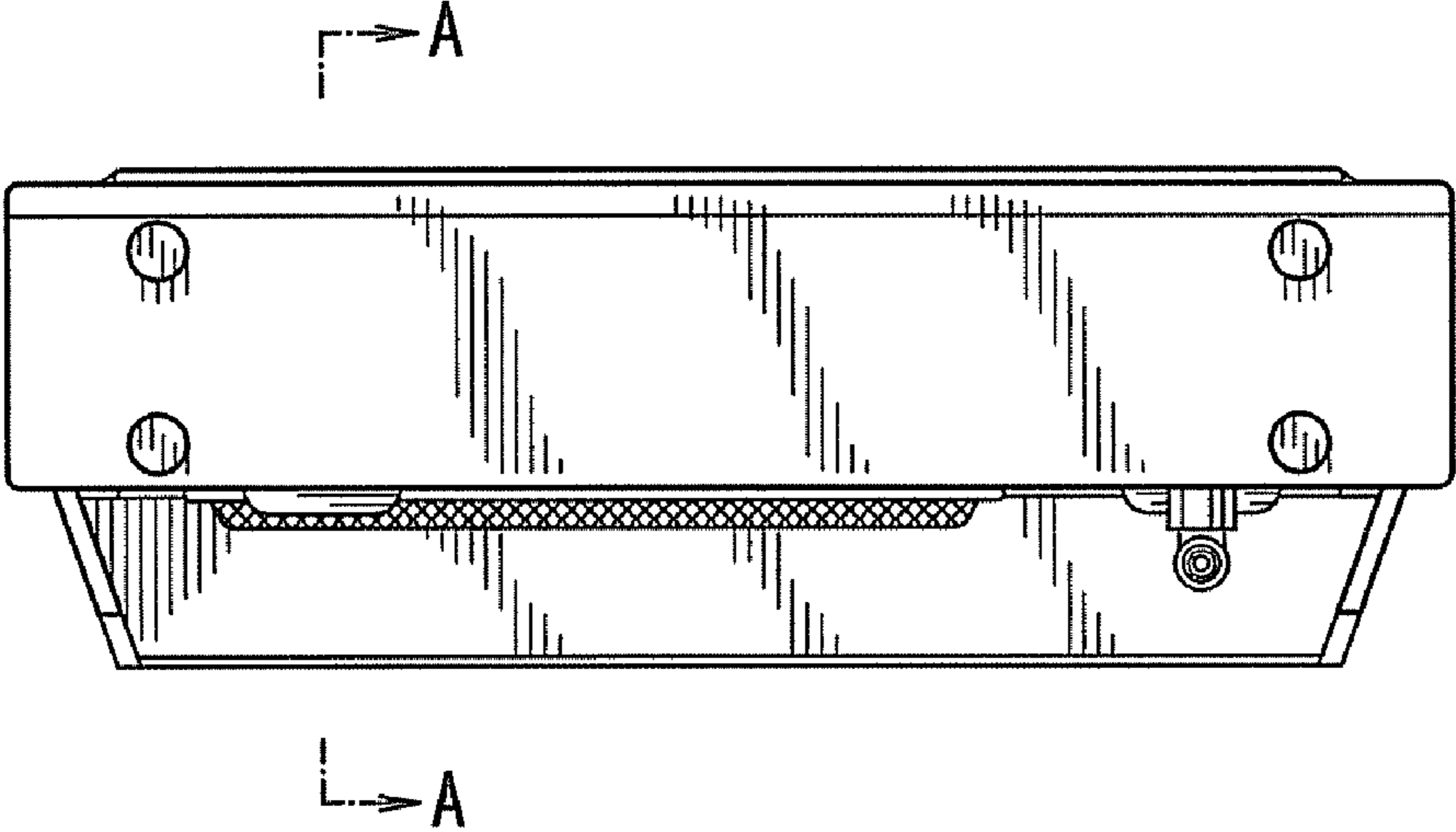




Fig. 16

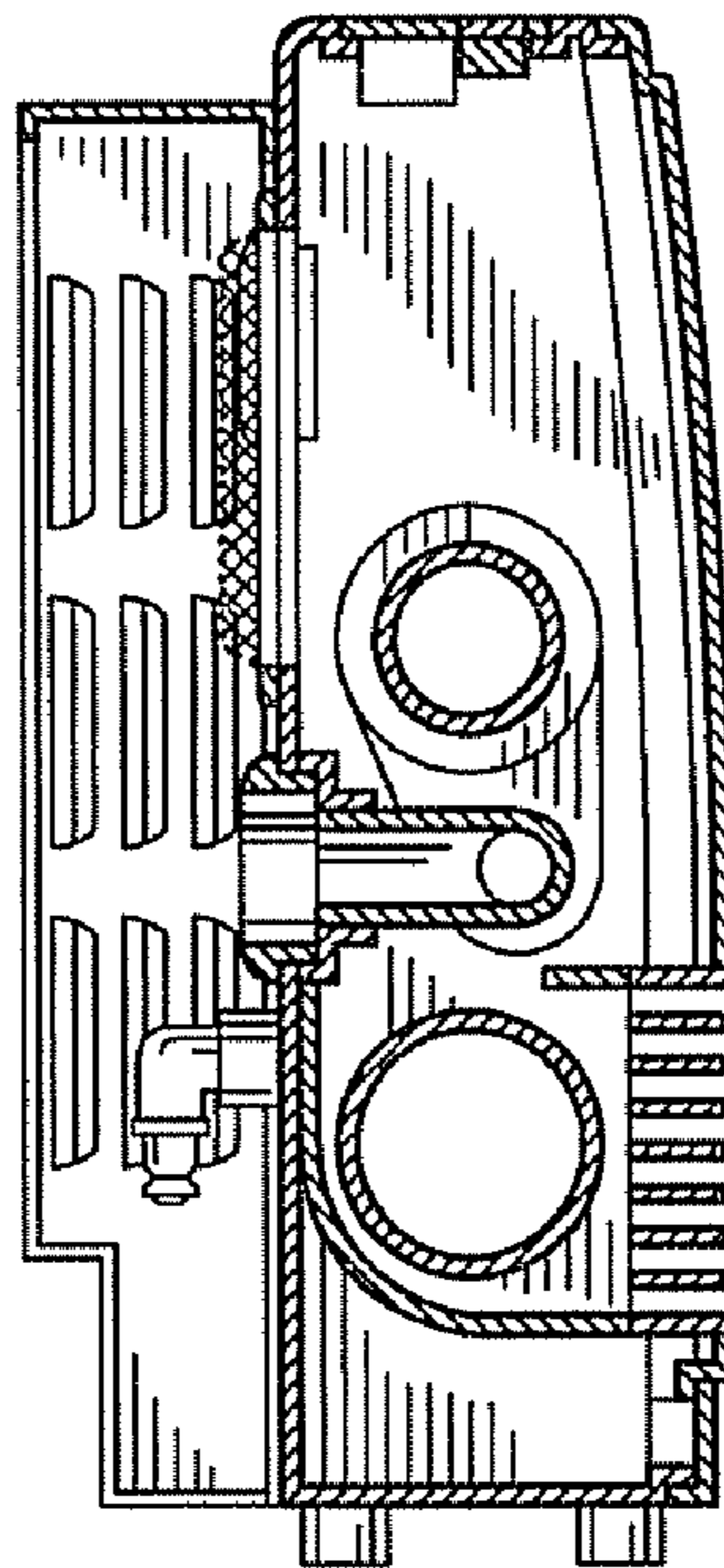


Fig. 17

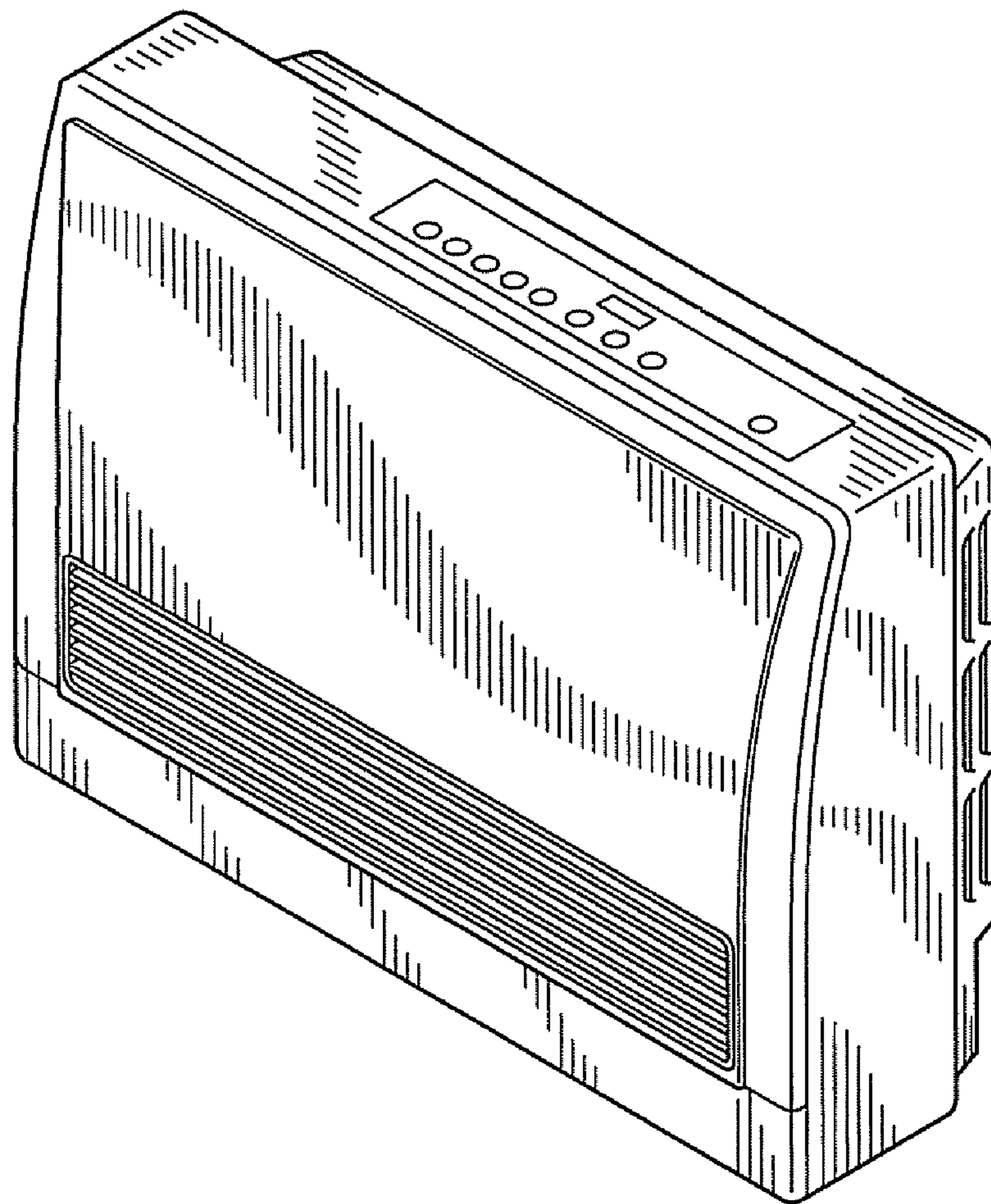


Fig. 18

