



US00D615637S

(12) **United States Design Patent**
Ouyang

(10) **Patent No.:** **US D615,637 S**

(45) **Date of Patent:** **** May 11, 2010**

(54) **HEATING EQUIPMENT**

(76) Inventor: **Xiao Ouyang**, 408, Block 2, No. 33,
Furongxiyijie, Zhaoqing City,
Guangdong (CN)

(**) Term: **14 Years**

(21) Appl. No.: **29/326,234**

(22) Filed: **Oct. 15, 2008**

(30) **Foreign Application Priority Data**

Apr. 15, 2008 (CN) 2008 3 0046304

(51) **LOC (9) Cl.** **23-03**

(52) **U.S. Cl.** **D23/332; D23/342**

(58) **Field of Classification Search** D26/5,
D26/6, 7, 9, 10, 11, 12, 13, 14, 15, 16, 17,
D26/18, 19, 20, 21, 22, 23, 114-137; D11/117,
D11/121, 125, 131; 428/7-9, 11; 431/291,
431/311, 320, 298; 362/161-163, 351; D23/314,
D23/317, 332, 342, 338, 339, 343, 344, 404;
126/500, 520, 523, 527, 536, 555, 544, 58,
126/8, 512

See application file for complete search history.

(56) **References Cited**

U.S. PATENT DOCUMENTS

D91,821 S * 3/1934 Guild D26/9

D574,070 S * 7/2008 Dabrowski D23/342
D577,136 S * 9/2008 Kubicek et al. D26/20
D577,447 S * 9/2008 Kubicek et al. D26/20
D591,841 S * 5/2009 McQueen D23/343

* cited by examiner

Primary Examiner—T. Chase Nelson
Assistant Examiner—Ania K Dworzecka

(57) **CLAIM**

The ornamental design for a heating equipment, as shown and described.

DESCRIPTION

FIG. 1 is a front elevational view of a heating equipment showing my new design;

FIG. 2 is a rear elevational view thereof;

FIG. 3 is a bottom plan view thereof;

FIG. 4 is a right side view thereof;

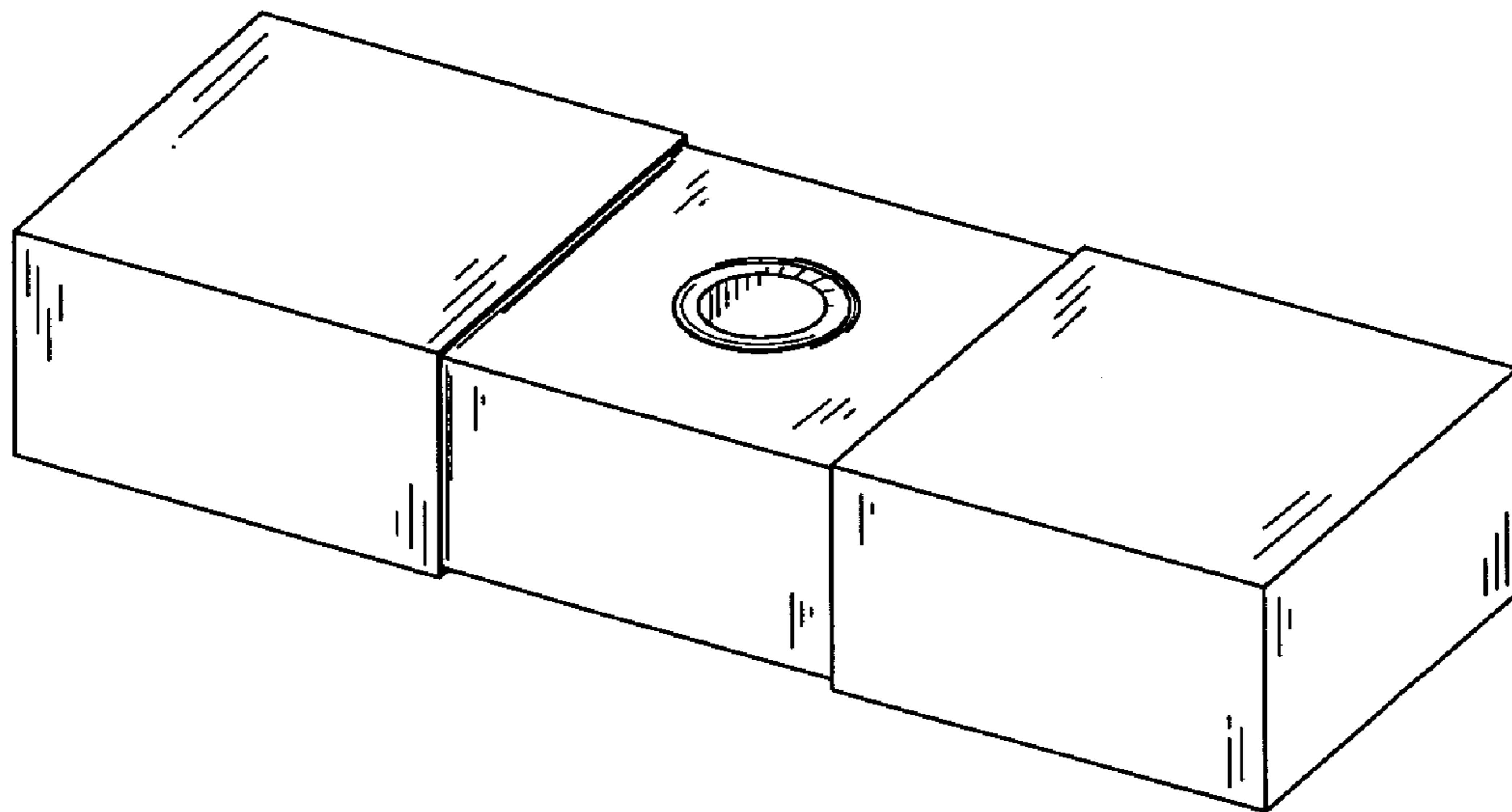
FIG. 5 is a perspective view thereof;

FIG. 6 is another perspective view thereof showing the sliding cover being partly slided inward; and,

FIG. 7 is another perspective view thereof showing the sliding cover being fully slided inward.

In the drawings, the broken lines depict environmental subject matter only and form no part of the claimed design.

1 Claim, 4 Drawing Sheets



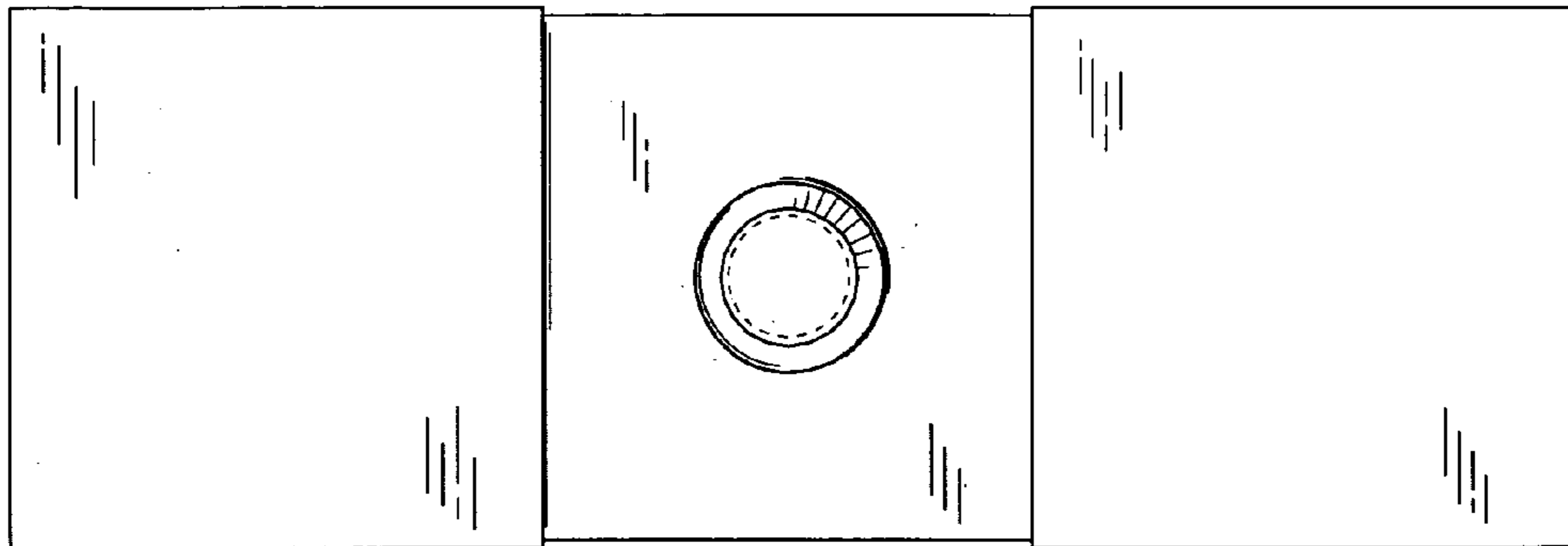


FIG. 1

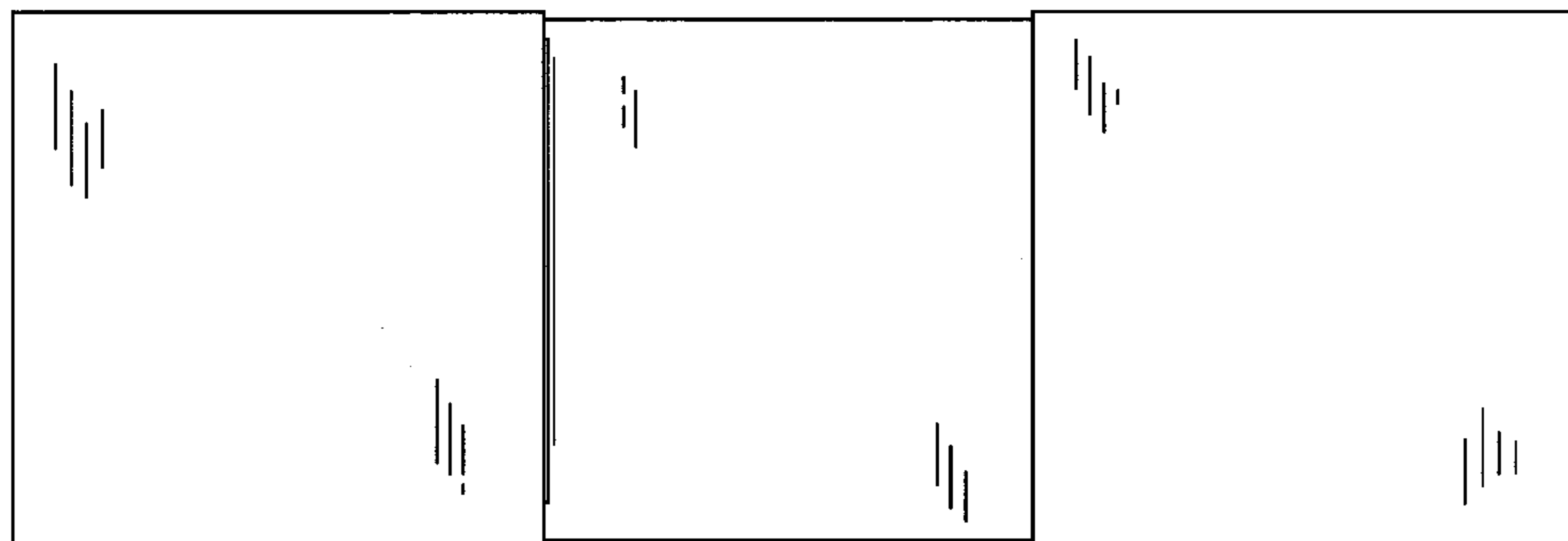


FIG. 2

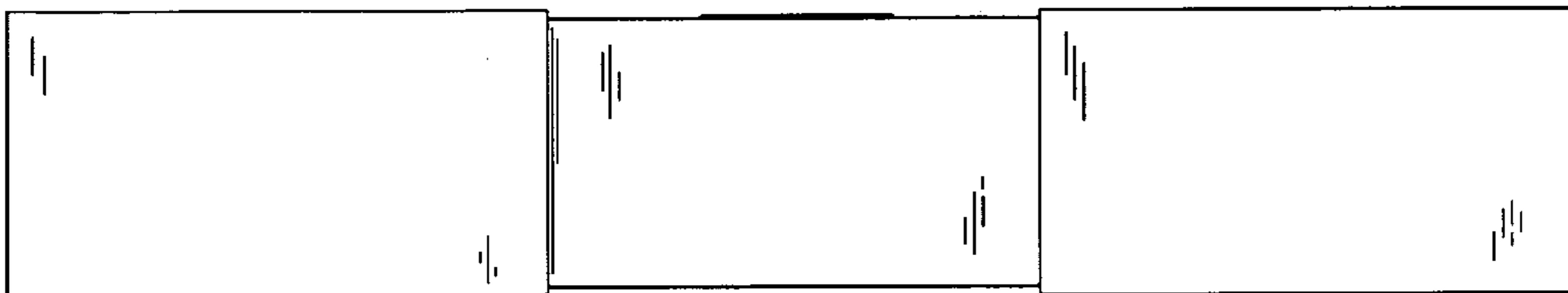


FIG. 3

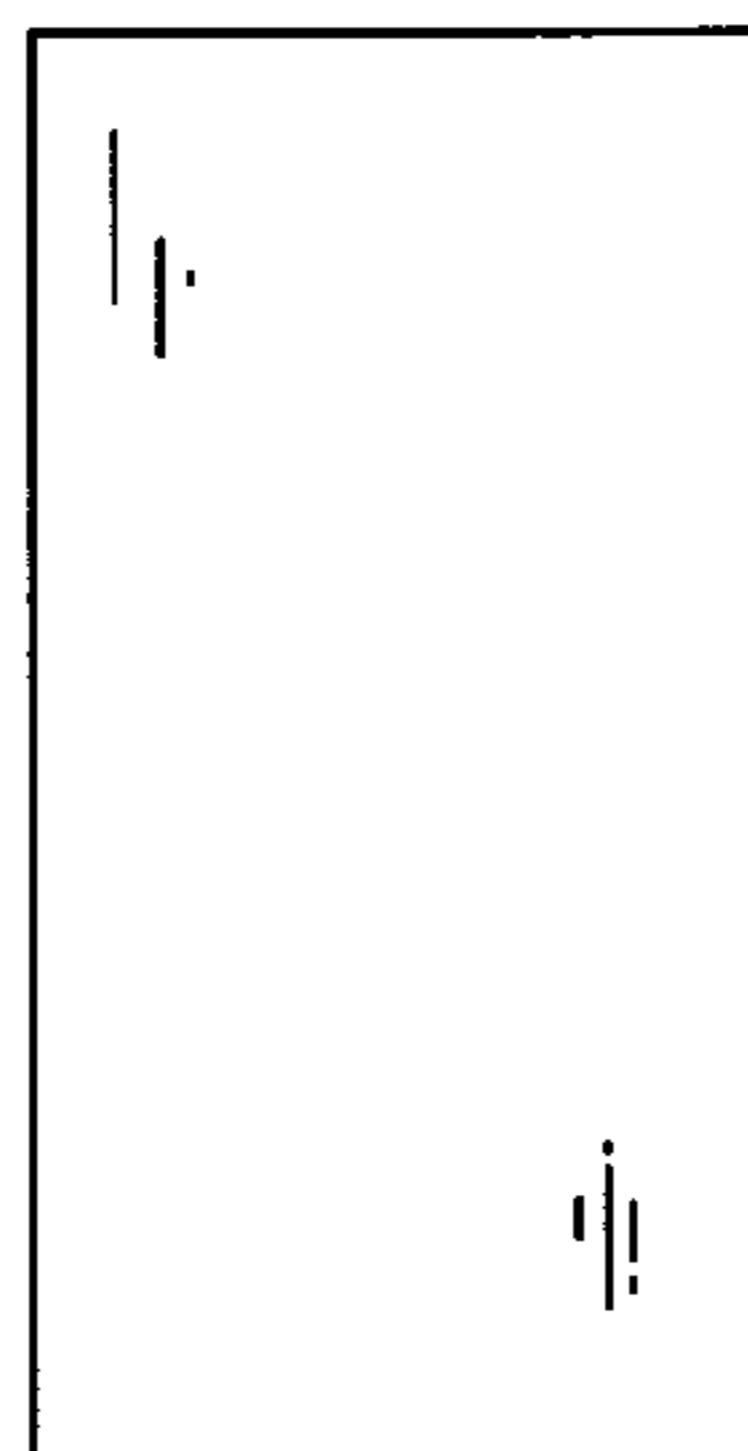


FIG. 4

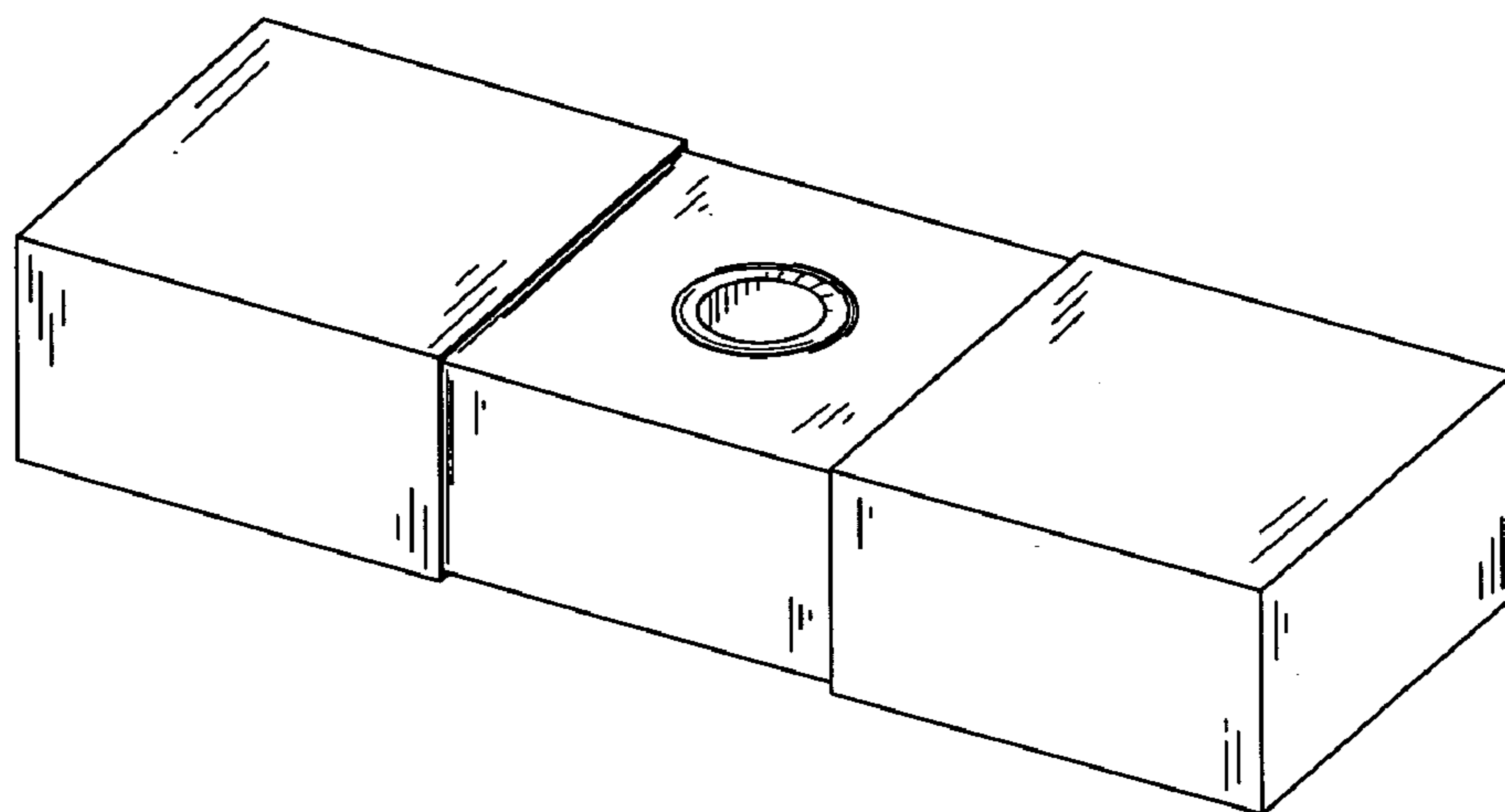


FIG. 5

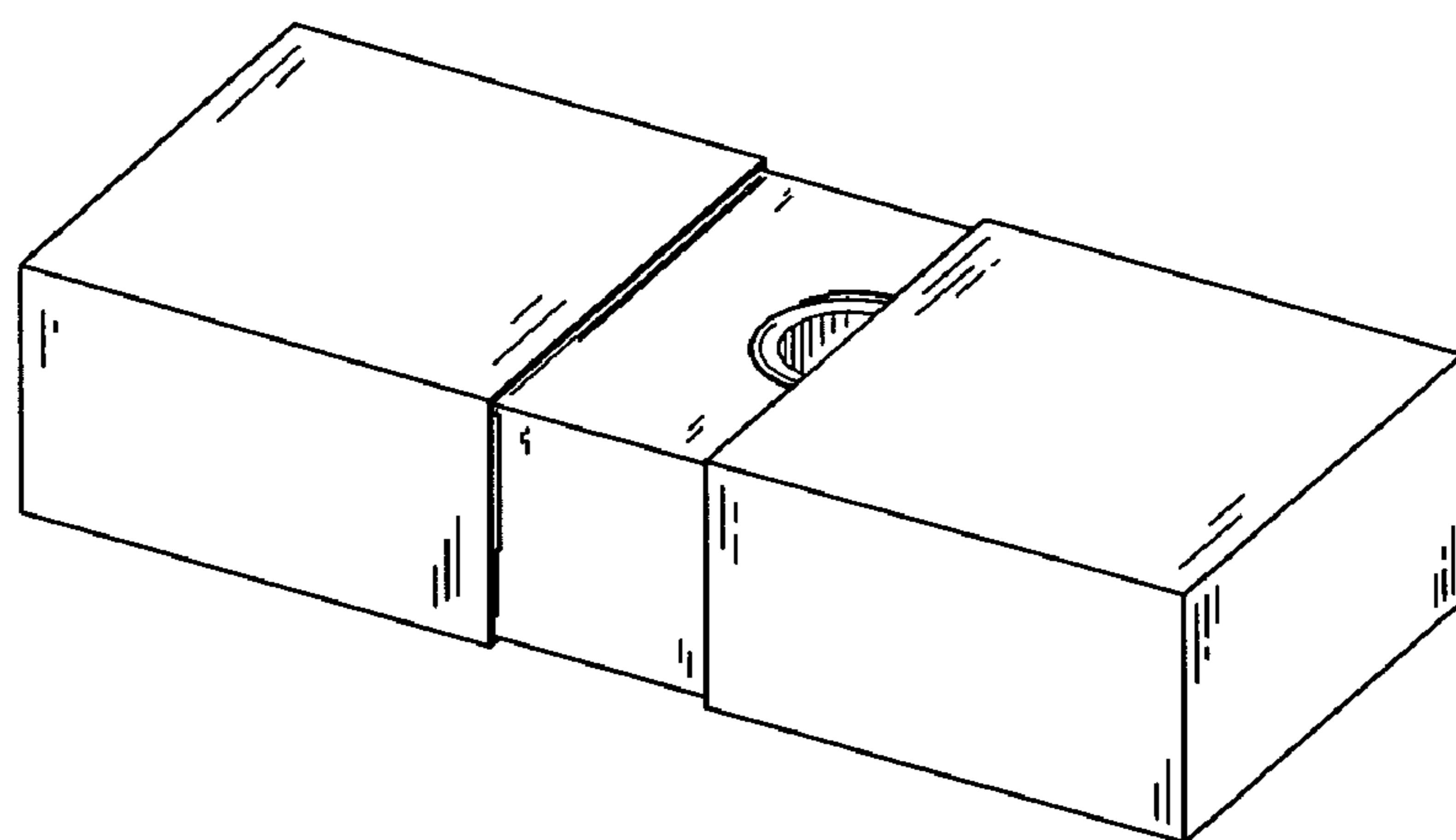


FIG. 6

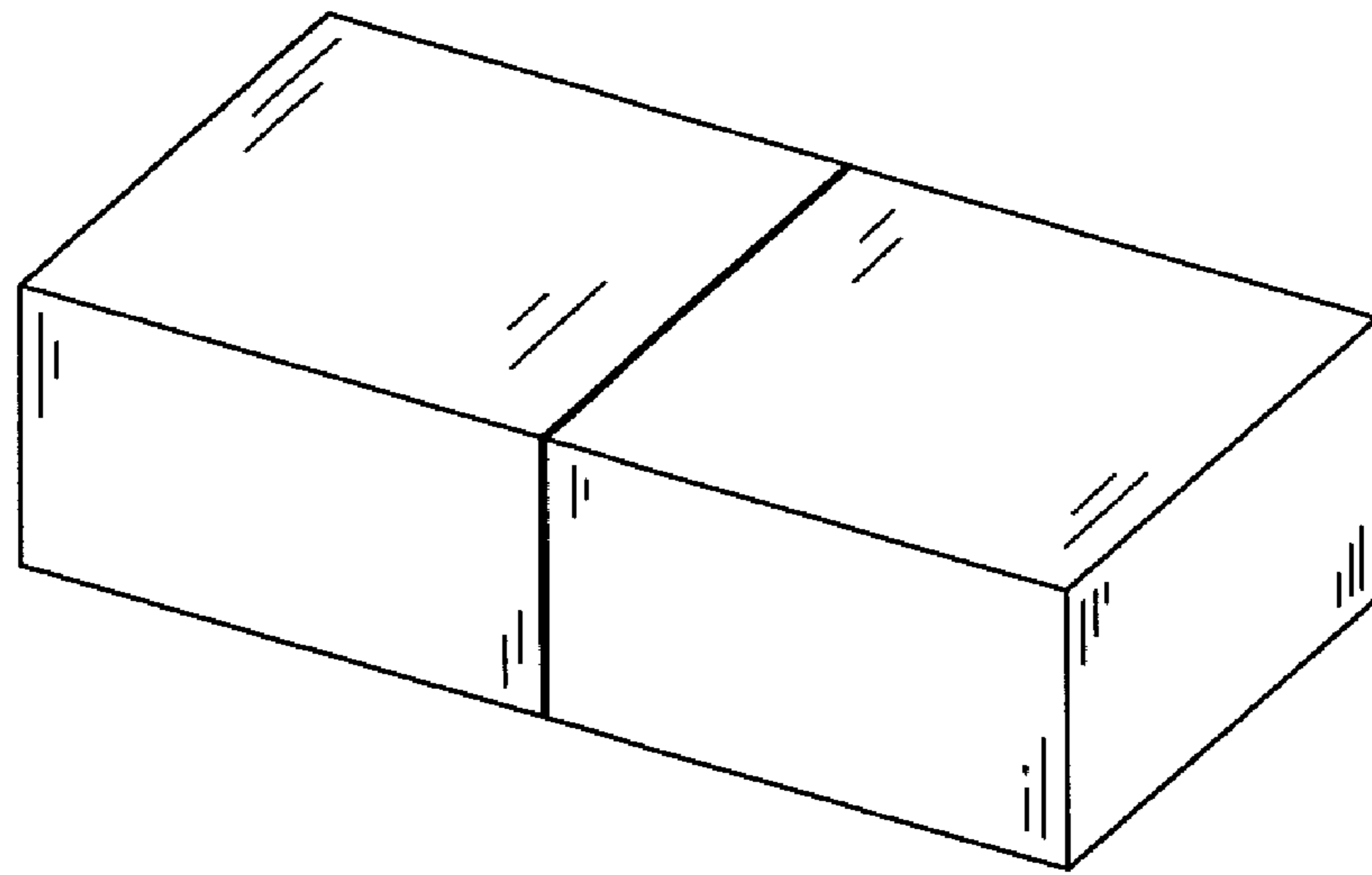


FIG. 7