



US00D615632S

(12) **United States Design Patent**
Wootton

(10) **Patent No.:** **US D615,632 S**

(45) **Date of Patent:** **** May 11, 2010**

(54) **RAIN GUTTER COVER**

4,493,588 A 1/1985 Duffy
4,497,146 A 2/1985 Demartini et al.

(75) Inventor: **Thomas A. Wootton**, 6369 Whitney Woods, Richland, MI (US) 49083

(Continued)

(73) Assignee: **Thomas A. Wootton**, Richland, MI (US)

OTHER PUBLICATIONS

(**) Term: **14 Years**

Preferred Distributing, Inc.; "How it Works" Section of Website and Photographs of the LeafFilter Gutter Protection Product; www.leaf-filter.com; downloaded on Aug. 21, 2009, Plainwell, MI.

(21) Appl. No.: **29/343,541**

GutterFilter, Inc. "Comparisons" Section of GutterFilter Web Site and Photographs of the GutterFilter Gutter Protection Product; www.gutterfilter.com; downloaded on Aug. 21, 2009.

(22) Filed: **Sep. 15, 2009**

(Continued)

(51) **LOC (9) Cl.** **23-01**

(52) **U.S. Cl.** **D23/267**

(58) **Field of Classification Search** D23/259-269;
52/11-13, 16; 248/48.1; 404/4-5, 2; 405/118;
D25/119

Primary Examiner—T. Chase Nelson
Assistant Examiner—Eric L Goodman

See application file for complete search history.

(74) *Attorney, Agent, or Firm*—Honigman Miller Schwartz & Cohn LLP; Thomas A. Wootton

(56) **References Cited**

(57) **CLAIM**

U.S. PATENT DOCUMENTS

The ornamental design for a rain gutter cover, as shown and described.

2,271,081 A	1/1942	Layton	
2,288,121 A	6/1942	Haddon	
2,583,422 A	1/1952	Goetz	
2,672,832 A	3/1954	Goetz	
2,847,949 A	8/1958	Pond	
2,873,700 A	2/1959	Heier	
4,036,761 A	7/1977	Rankin	
4,254,595 A *	3/1981	Crosslen	52/11
4,286,418 A	9/1981	Snyder	
4,308,696 A	1/1982	Schroeder	
4,351,134 A	9/1982	Clarkson	
4,404,775 A	9/1983	Demartini et al.	
4,411,109 A	10/1983	Struben et al.	
4,418,504 A *	12/1983	Lassiter	52/12
4,435,925 A	3/1984	Jefferys	
4,445,301 A	5/1984	Tanski	
4,447,994 A	5/1984	Garneau	
4,455,791 A	6/1984	Elko	

DESCRIPTION

FIG. 1 is a perspective elevational view of the rain gutter cover, as it is seen from above as it sits in a rain gutter;

FIG. 2 is a perspective elevational view of the rain gutter cover;

FIG. 3 is a top view of the rain gutter cover;

FIG. 4 is a bottom view of the rain gutter cover;

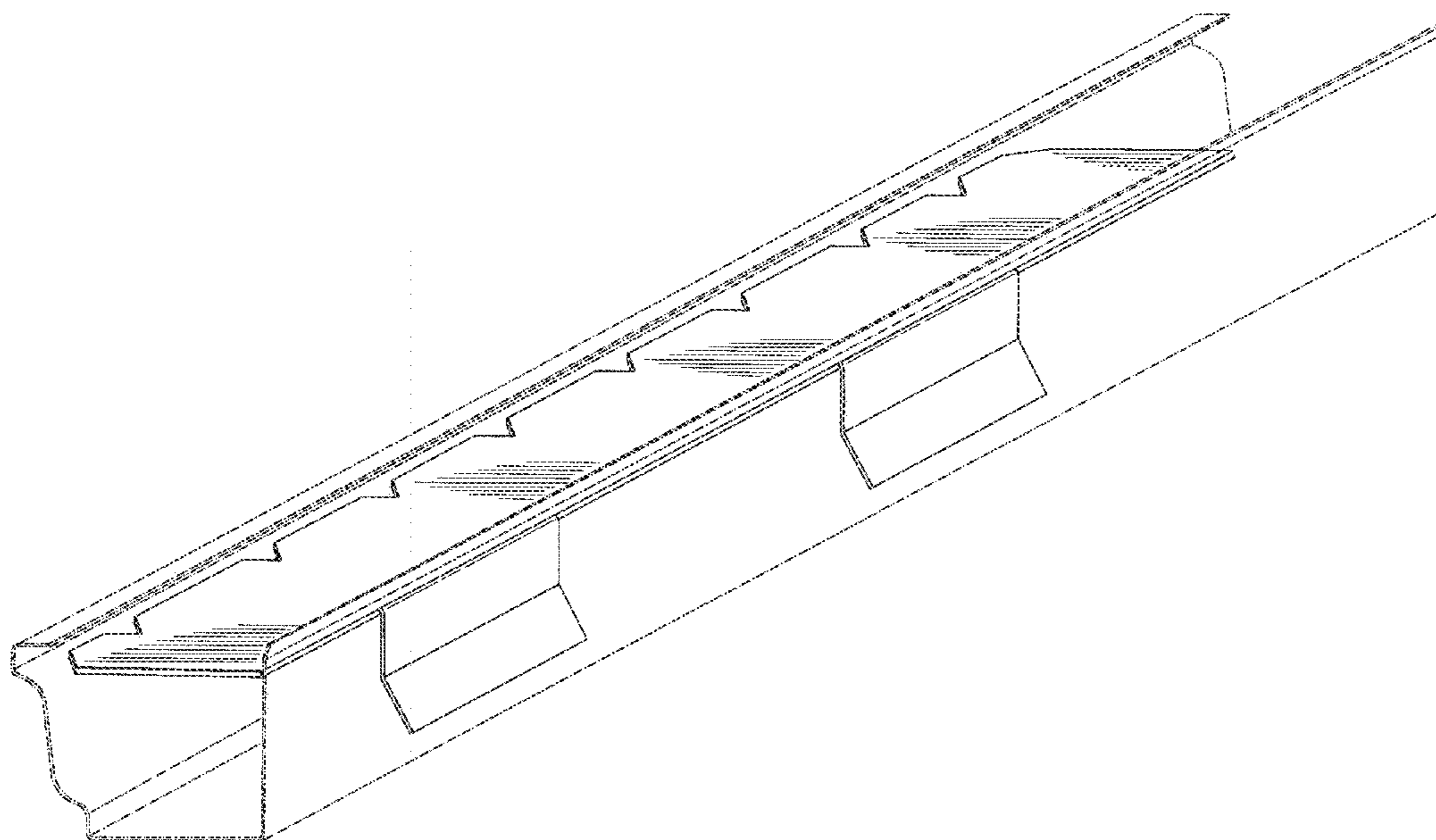
FIG. 5 is a front view of the rain gutter cover;

FIG. 6 is a back view of the rain gutter cover; and,

FIG. 7 is a side view of the rain gutter cover.

The broken lines depict environmental structure that forms no part of the claimed design.

1 Claim, 4 Drawing Sheets



US D615,632 S

U.S. PATENT DOCUMENTS					
			6,672,012 B2	1/2004	Bahroos et al.
			6,688,045 B1	2/2004	Pilcher
			6,732,477 B1	5/2004	Richard et al.
			6,735,907 B2	5/2004	Stevens
			D492,394 S	6/2004	Bullinger
			6,745,516 B2	6/2004	Beyers
			6,883,760 B2	4/2005	Seise, Jr.
			D505,716 S	5/2005	Kavanagh
			6,942,419 B2	9/2005	Knak et al.
			6,944,991 B2	9/2005	Kim
			6,993,870 B2	2/2006	McDonald et al.
			6,993,871 B2	2/2006	Richard et al.
			7,117,643 B2	10/2006	Brown
			7,174,688 B2	2/2007	Higginbotham
			7,191,564 B2	3/2007	Higginbotham
			D551,740 S *	9/2007	Riley D23/267
			D558,309 S	12/2007	Gregg
			7,303,687 B2	12/2007	Groth et al.
			7,310,912 B2	12/2007	Lenney
			D559,957 S *	1/2008	Rasmussen D23/267
			7,340,863 B1	3/2008	Dressler
			7,347,027 B2	3/2008	McDonald et al
			7,395,632 B2	7/2008	Filippi
			7,506,476 B2	3/2009	McDonald et al.
			2001/0017008 A1	8/2001	Kuhns
			2001/0022052 A1	9/2001	Pilcher
			2002/0152692 A1	10/2002	Bahroos et al.
			2002/0166290 A1	11/2002	Bergeron
			2003/0009951 A1	1/2003	Bergeron
			2003/0089046 A1 *	5/2003	Stevens 52/11
			2004/0244303 A1	12/2004	Seise
			2004/0250478 A1	12/2004	McDonald et al.
			2005/0000167 A1	1/2005	Richard et al.
			2005/0108951 A1	5/2005	McDonald et al.
			2005/0115158 A1	6/2005	Brown
			2005/0115190 A1	6/2005	Brown
			2005/0138866 A1	6/2005	Kim
			2005/0145560 A1	7/2005	Jones
			2005/0166465 A1	8/2005	Banks et al.
			2005/0166466 A1	8/2005	Cobb
			2005/0172565 A1	8/2005	Riley et al.
			2005/0172566 A1	8/2005	McDonald et al.
			2006/0037253 A1	2/2006	Mozeika
			2006/0075689 A1	4/2006	Hawash
			2006/0101722 A1	5/2006	Ealer
			2006/0117672 A1	6/2006	Kurple et al.
			2006/0123710 A1	6/2006	Lenney et al.
			2006/0201069 A1	9/2006	Richard et al.
			2006/0225367 A1	10/2006	Stagni
			2006/0230687 A1	10/2006	Ealer, Sr.
			2006/0272223 A1	12/2006	McDonald et al.
			2007/0094940 A1	5/2007	Pijanowski
			2007/0119104 A1	5/2007	Pijanowski
			2007/0175106 A1	8/2007	Rotter
			2007/0199249 A1	8/2007	Beck et al.
			2007/0266753 A1	11/2007	Kuhns
			2008/0000169 A1	1/2008	Handley
			2008/0016787 A1	1/2008	Marriner
			2008/0120921 A1	5/2008	McDonald et al.
			2008/0141595 A1	6/2008	Lawler
			2008/0190039 A1	8/2008	Brochu
			2008/0276546 A1	11/2008	Etheredge
			2009/0000210 A1	1/2009	Barnett
			2009/0019786 A1	1/2009	Bachman
			2009/0031638 A1	2/2009	Iannelli
			2009/0090067 A1	4/2009	Demartini
			2009/0178366 A1	7/2009	Konkey
			2009/0188173 A1	7/2009	Ealer, Sr.

2009/0288349 A1 * 11/2009 Wootton 52/12

OTHER PUBLICATIONS

GutterSentry, Inc. "Faq's" Section of the GutterSentry Web Site and Photographs of the GutterSentry Protection Product; www.guttersentry.com; downloaded on Aug. 21, 2009.

Southeastern Metals Manufacturing Company, Inc. "How it works" Section of GutterHelmet Web Site and Photographs of the GutterHelmet Protection Product; www.gutterhelmet.com, downloaded on Aug. 24, 2009.

Gutter Topper Ltd. "How it Works" Section of Website and Photographs of the GutterTopper Gutter Protection System; www.guttertopper.com; downloaded on Aug. 24, 2009, Amelia, OH.

Eran Industries, Inc. "How Leafproof Works" Section of the Leafproof Web Site and Photographs of the Leafproof Protection System; www.leafproof.com; downloaded on Aug. 24, 2009.

R.K. Industries. "How Waterloov Works" on www.waterloov.com; U.S. Patent Nos. 4,411,110; #5,216,851; Des #382,944; #5,339,575; #6,009,672; #6,256,933; #6,412,229, downloaded on Aug. 24, 2009.

* cited by examiner

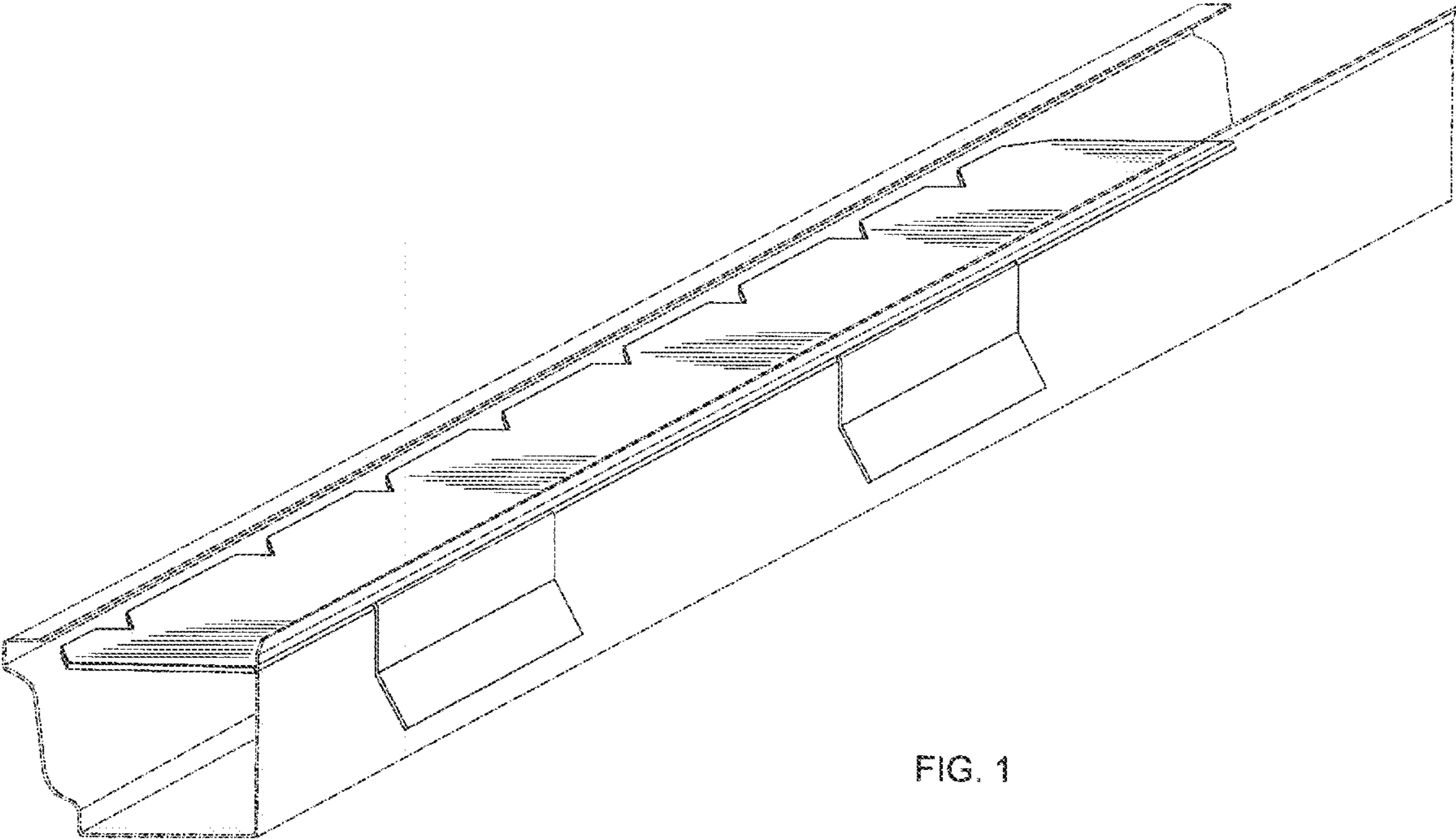


FIG. 1

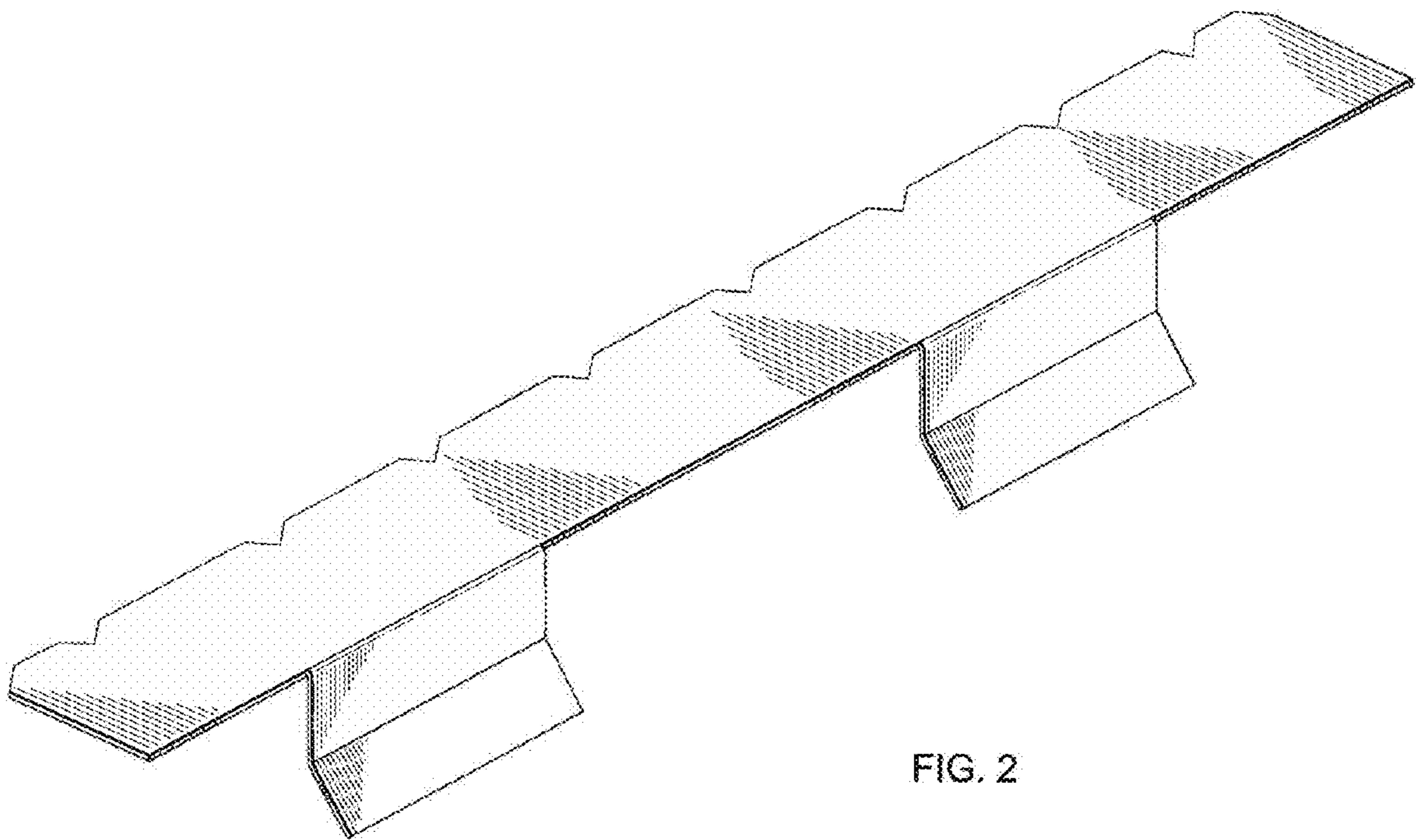


FIG. 2

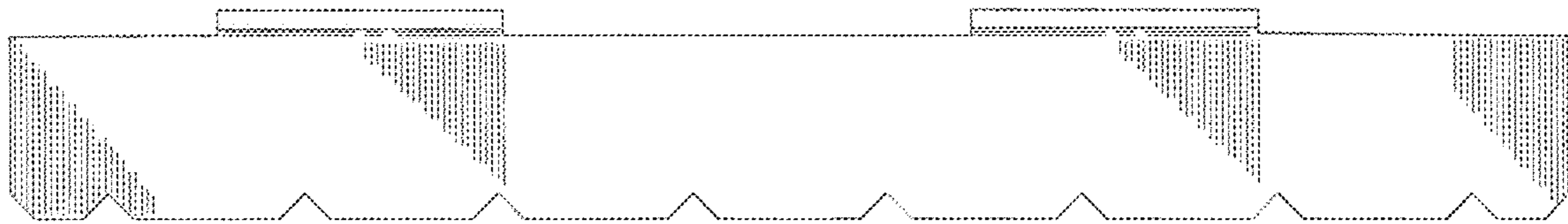


FIG. 3

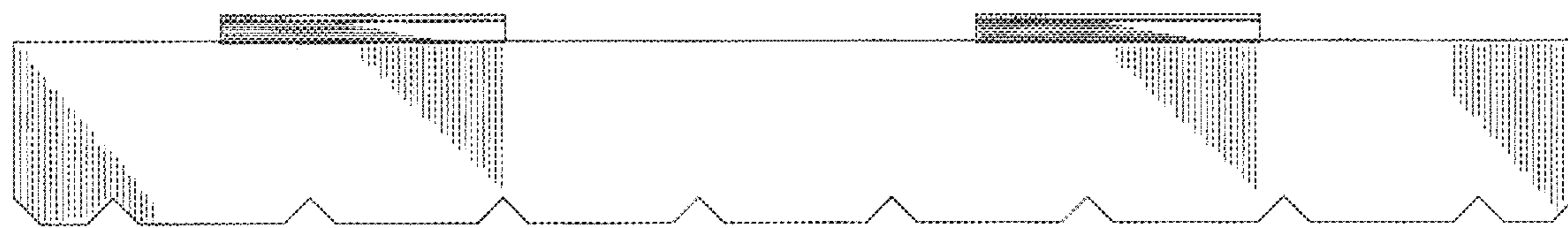


FIG. 4

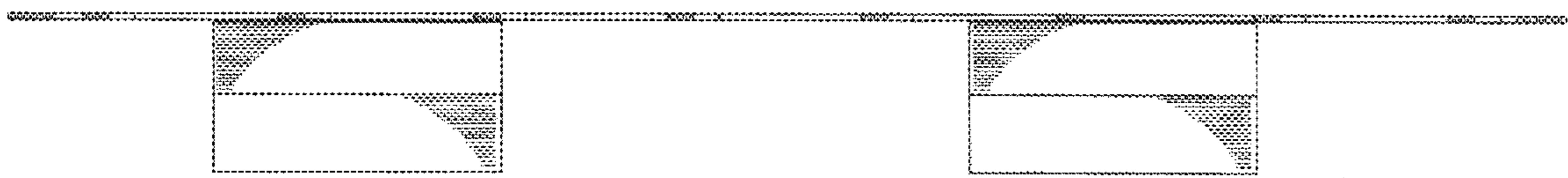


FIG. 5

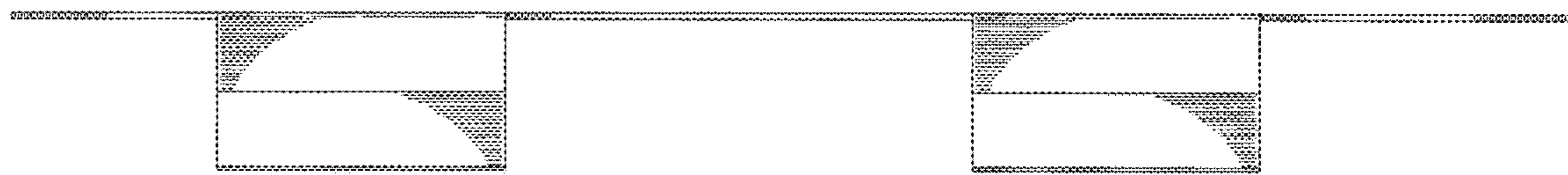


FIG. 6

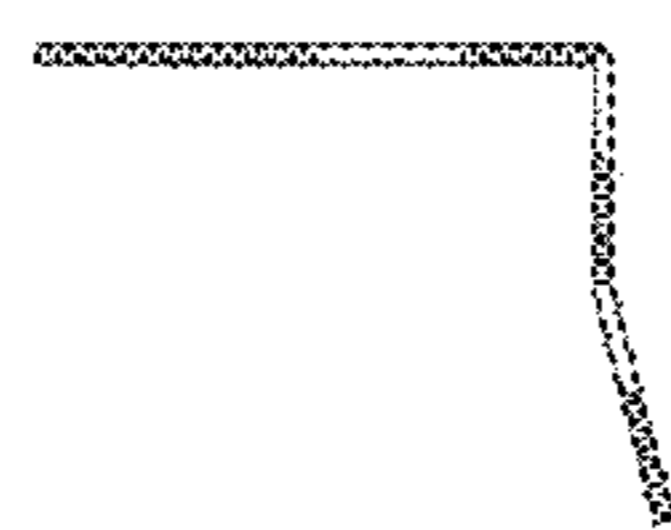


FIG. 7